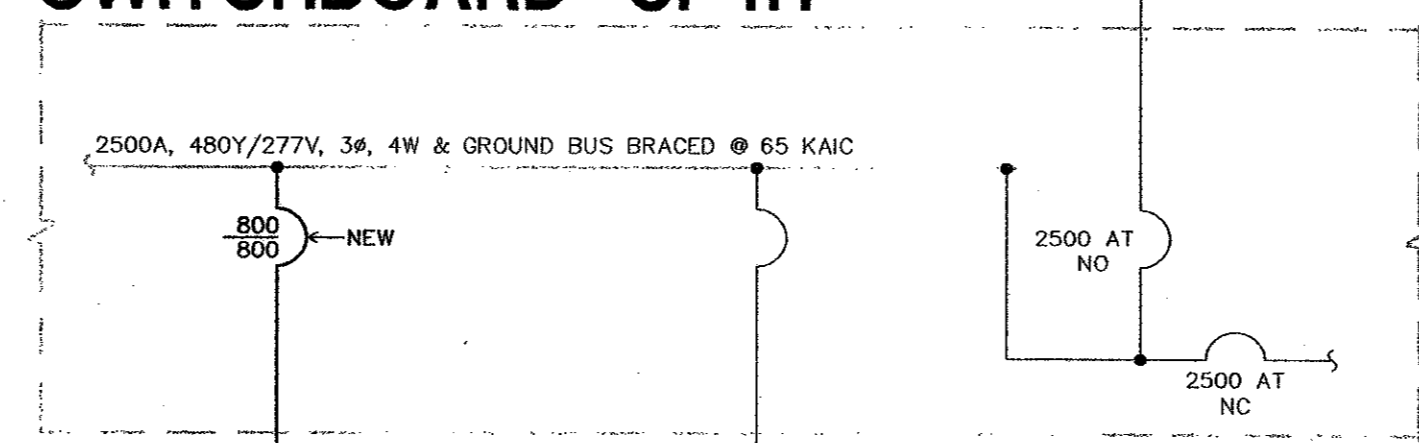
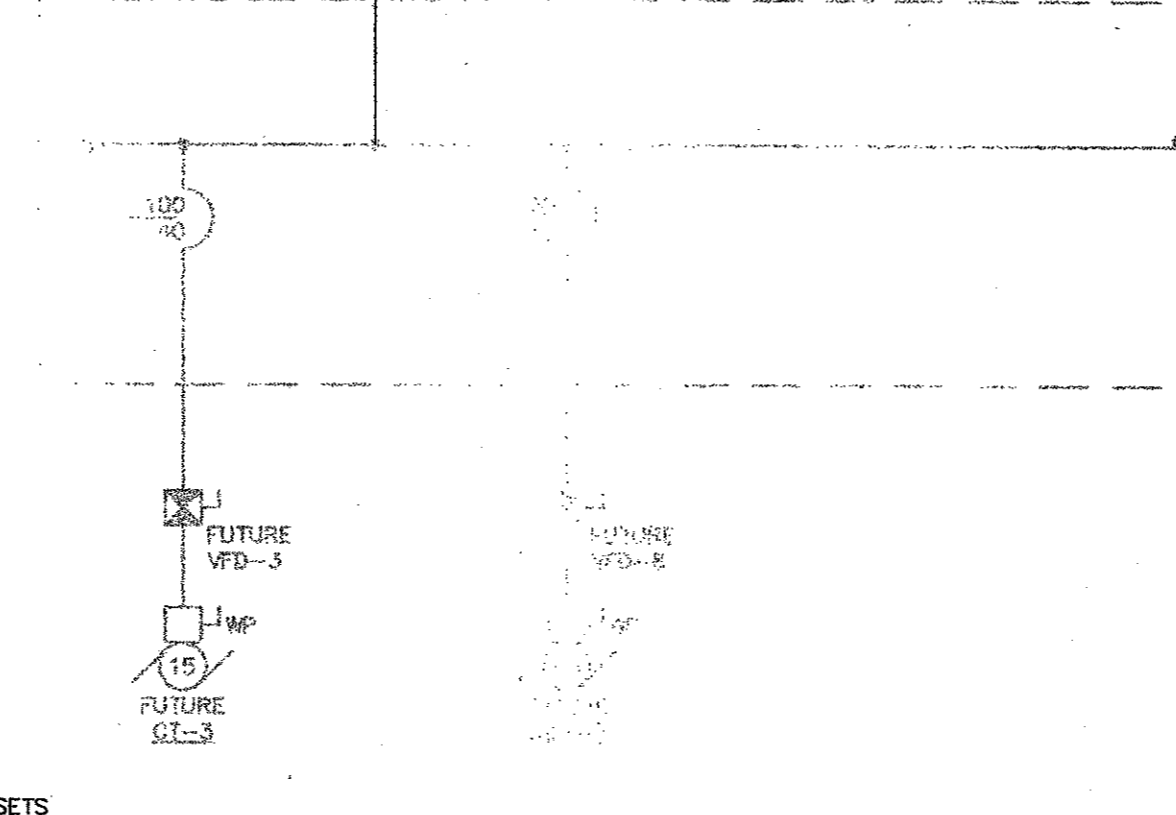


**02 TRENCH DETAIL - (2x4)**  
NOT TO SCALE

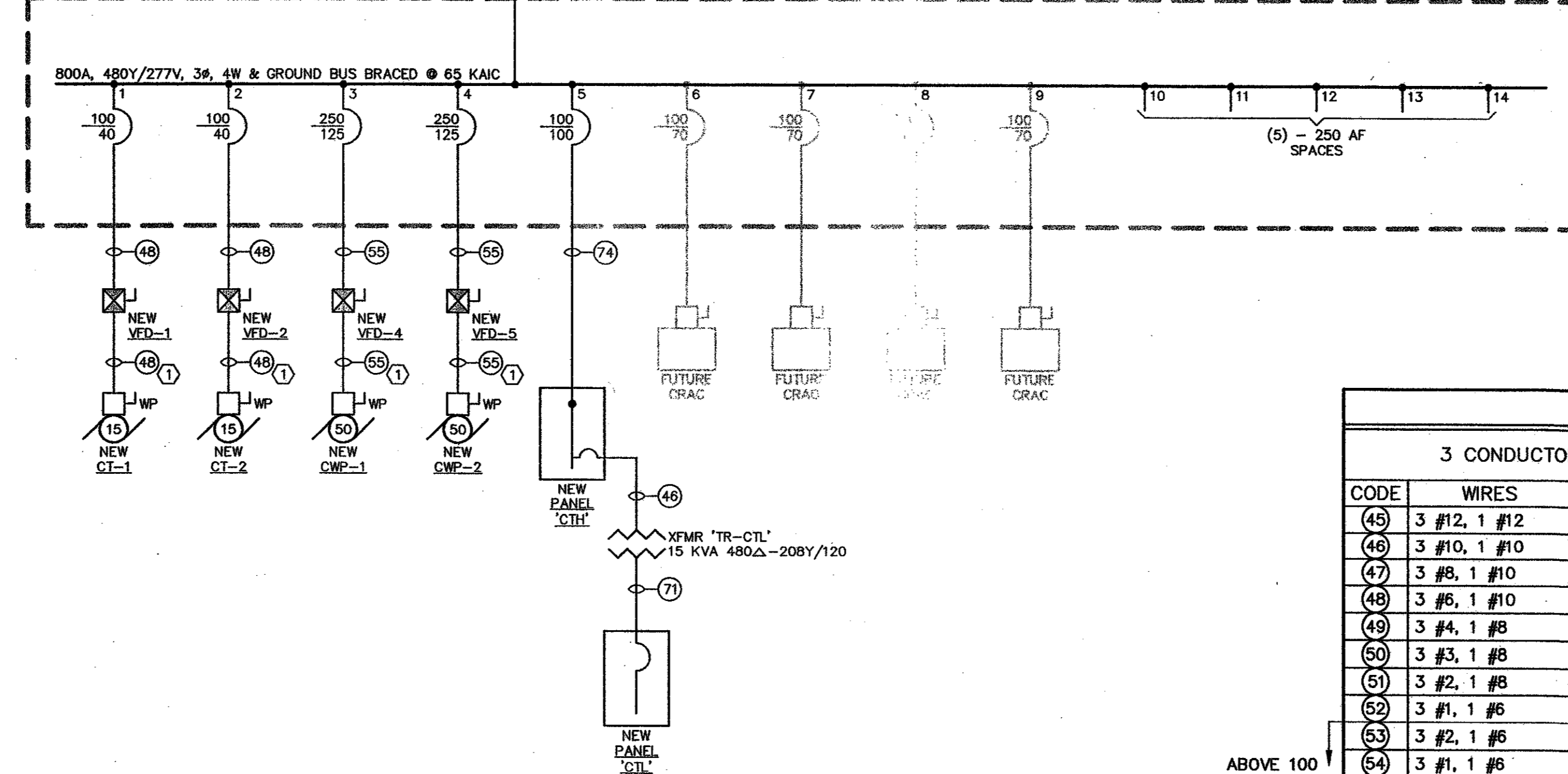
**PARTIAL EXISTING SWITCHBOARD 'CP4H'**



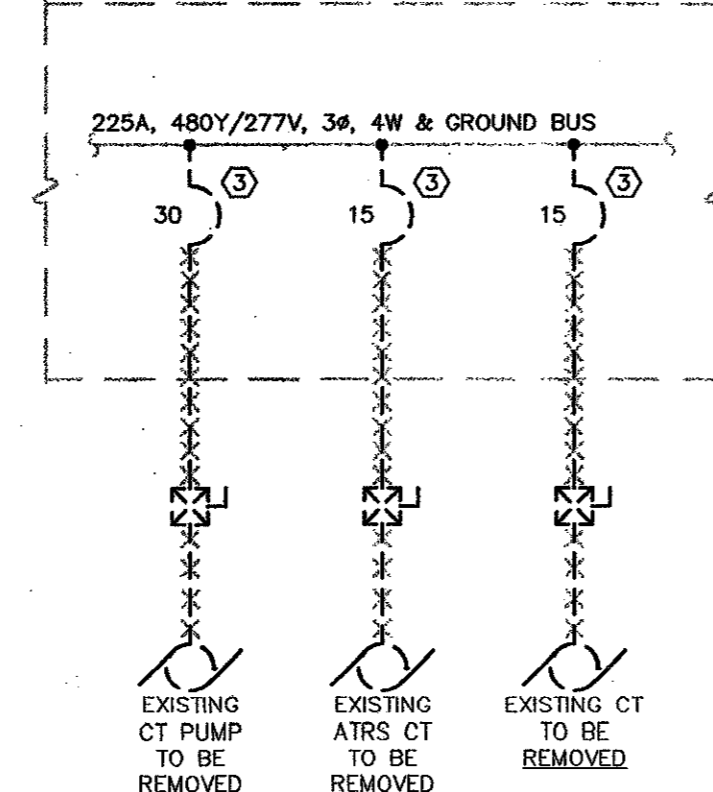
**FUTURE 'DP-AC-4'**



**NEW PANEL 'DP-AC-3'**



**PARTIAL EXISTING PANEL 'DP-AC-A2'**



**01 SINGLE LINE DIAGRAMS - ELECTRICAL**  
NOT TO SCALE

**PANEL (CTL) SCHEDULE**

DESCRIPTION	AMPS	VOLT-AMPS						PHASE	VOLT-AMPS						AREA (SQ)		DESCRIPTION				
		LIGHT	RECEP	MOTOR	HEAT	KITCH	COMP		OTHER	CIRCUIT	OTHER	COMP	KITCH	HEAT	MOTOR	RECEP		LIGHT	PI	AMP	
RECEPS	120							1	A	2					1200				1	20	HEAT TRACING
WATER TREAT	120							3	B	4					1200				1	20	HEAT TRACING
WATER TREAT	120							5	C	6					1200				1	20	HEAT TRACING
SPARE	120							7	A	8					1200				1	20	HEAT TRACING
SPARE	120							9	B	10					1200				1	20	HEAT TRACING
SPARE	120							11	C	12									1		SPACE
SPACE	120							13	A	14									1		SPACE
SPACE	120							15	B	16									1		SPACE
SPACE	120							17	C	18									1		SPACE
MOV'S	120							19	A	20									1		SPACE
MOV'S	120							21	B	22									1		SPACE
MOV'S	120							23	C	24									1		SPACE
TOTALS		0	2400	3400	8000	0	0	0	0	0	0	0	0	0	0	8000	0	0	0	TOTALS	

**PANEL (CTL) SCHEDULE**

DESCRIPTION	AMPS	VOLT-AMPS						PHASE	VOLT-AMPS						AREA (SQ)		DESCRIPTION				
		LIGHT	RECEP	MOTOR	HEAT	KITCH	COMP		OTHER	CIRCUIT	OTHER	COMP	KITCH	HEAT	MOTOR	RECEP		LIGHT	PI	AMP	
LIGHTING	120							1	A	2					4000				3	20	BASIN
SPARE	120							3	B	4					4000				3	20	HEATER-1
SPARE	120							5	C	6					4000				3	20	HEATER-2
SPARE	120							7	A	8					4000				3	20	BASIN
SPARE	120							9	B	10					4000				3	20	HEATER-3
SPARE	120							11	C	12					4000				3	20	SPACE
SPACE	120							13	A	14					4000				3	20	FUTURE
SPACE	120							15	B	16					4000				3	20	BASIN
SPACE	120							17	C	18					4000				3	20	HEATER-1
[ XFR	325							19	A	20									1		SPACE
[ TR-CTL	0							21	B	22									1		SPACE
TOTALS		800	2400	3400	8000	0	0	0	0	0	0	0	0	0	38000	0	0	0	TOTALS		

**KEYED NOTES BY SYMBOL "O"**

① (2) #12 FROM DISCONNECT CONTACT TO VFD.

② EXISTING CIRCUIT BREAKER TO REMAIN. UPDATE PANEL SCHEDULE TO INDICATE BREAKER AS SPARE.

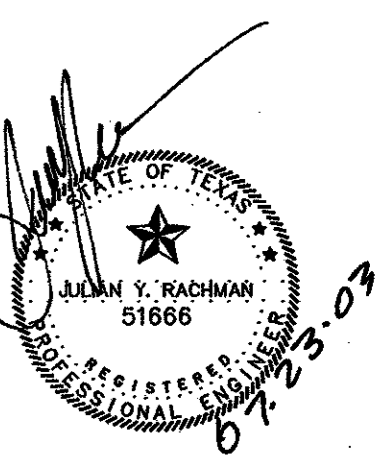
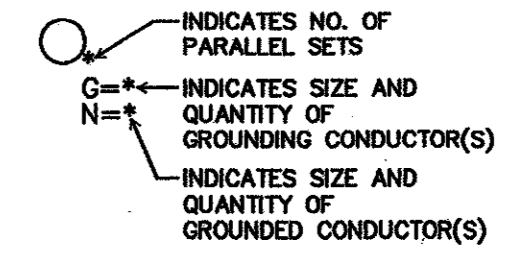
**FEEDER SCHEDULE**

3 CONDUCTOR			COPPER CONDUCTORS WITH GROUND WIRE			4 CONDUCTOR		
CODE	WIRES	CONDUIT	SIZE	AMP	DEG.	CODE	WIRES	CONDUIT
(45)	3 #12, 1 #12	3/4"	#12	20	60	(67)	4 #12, 1 #12	3/4"
(46)	3 #10, 1 #10	3/4"	#10	30	60	(68)	4 #10, 1 #10	3/4"
(47)	3 #8, 1 #10	3/4"	#8	40	60	(69)	4 #8, 1 #10	1"
(48)	3 #6, 1 #10	1"	#6	55	60	(70)	4 #6, 1 #10	1"
(49)	3 #4, 1 #8	1-1/4"	#4	70	60	(71)	4 #4, 1 #8	1-1/4"
(50)	3 #3, 1 #8	1-1/4"	#3	85	60	(72)	4 #3, 1 #8	1-1/4"
(51)	3 #2, 1 #8	1-1/4"	#2	95	60	(73)	4 #2, 1 #8	1-1/2"
(52)	3 #1, 1 #6	1-1/2"	#1	110	60	(74)	4 #1, 1 #6	2"
(53)	3 #2, 1 #6	1-1/4"	#2	115	75	(75)	4 #2, 1 #6	1-1/2"
(54)	3 #1, 1 #6	1-1/2"	#1	130	75	(76)	4 #1, 1 #6	2"
(55)	3 #1/0, 1 #6	1-1/2"	#1/0	150	75	(77)	4 #1/0, 1 #6	2"
(56)	3 #2/0, 1 #6	2"	#2/0	175	75	(78)	4 #2/0, 1 #6	2"
(57)	3 #3/0, 1 #6	2"	#3/0	200	75	(79)	4 #3/0, 1 #6	2-1/2"
(58)	3 #4/0, 1 #4	2"	#4/0	230	75	(80)	4 #4/0, 1 #4	2-1/2"
(59)	3 #250MCM, 1 #4	2-1/2"	#250MCM	255	75	(81)	4 #250MCM, 1 #4	3"
(60)	3 #300MCM, 1 #4	2-1/2"	#300MCM	285	75	(82)	4 #300MCM, 1 #4	3"
(61)	3 #350MCM, 1 #3	3"	#350MCM	310	75	(83)	4 #350MCM, 1 #3	3"
(62)	3 #400MCM, 1 #3	3"	#400MCM	335	75	(84)	4 #400MCM, 1 #3	3"
(63)	3 #500MCM, 1 #3	3"	#500MCM	380	75	(85)	4 #500MCM, 1 #3	4"
(64)	3 #600MCM, 1 #2	4"	#600MCM	420	75	(86)	4 #600MCM, 1 #2	4"
(65)	3 #700MCM, 1 #2	4"	#700MCM	460	75	(87)	4 #700MCM, 1 #2	4"
(66)	3 #750MCM, 1 #2	4"	#750MCM	475	75	(88)	4 #750MCM, 1 #2	4"

**FEEDER SCHEDULE NOTES:**

1.) WHERE PARALLEL FEEDERS ARE RUN, RESIZE GROUND WIRE PER NEC TABLE 250-95.

2.) RESIZE MOTOR CKT. GROUND WIRES PER OVERCURRENT DEVICE AS SCHEDULED IN NEC TABLE 250-95.



**Mary Kay, Inc.**  
Corporate 1  
Addison, Texas  
Cooling Tower Addition

Project Revisions

Project Number  
02110

Issue Date  
JULY 23, 2003

Sheet Title  
SINGLE LINE DIAGRAM  
AND DETAILS  
ELECTRICAL  
Sheet Number  
EP4.01