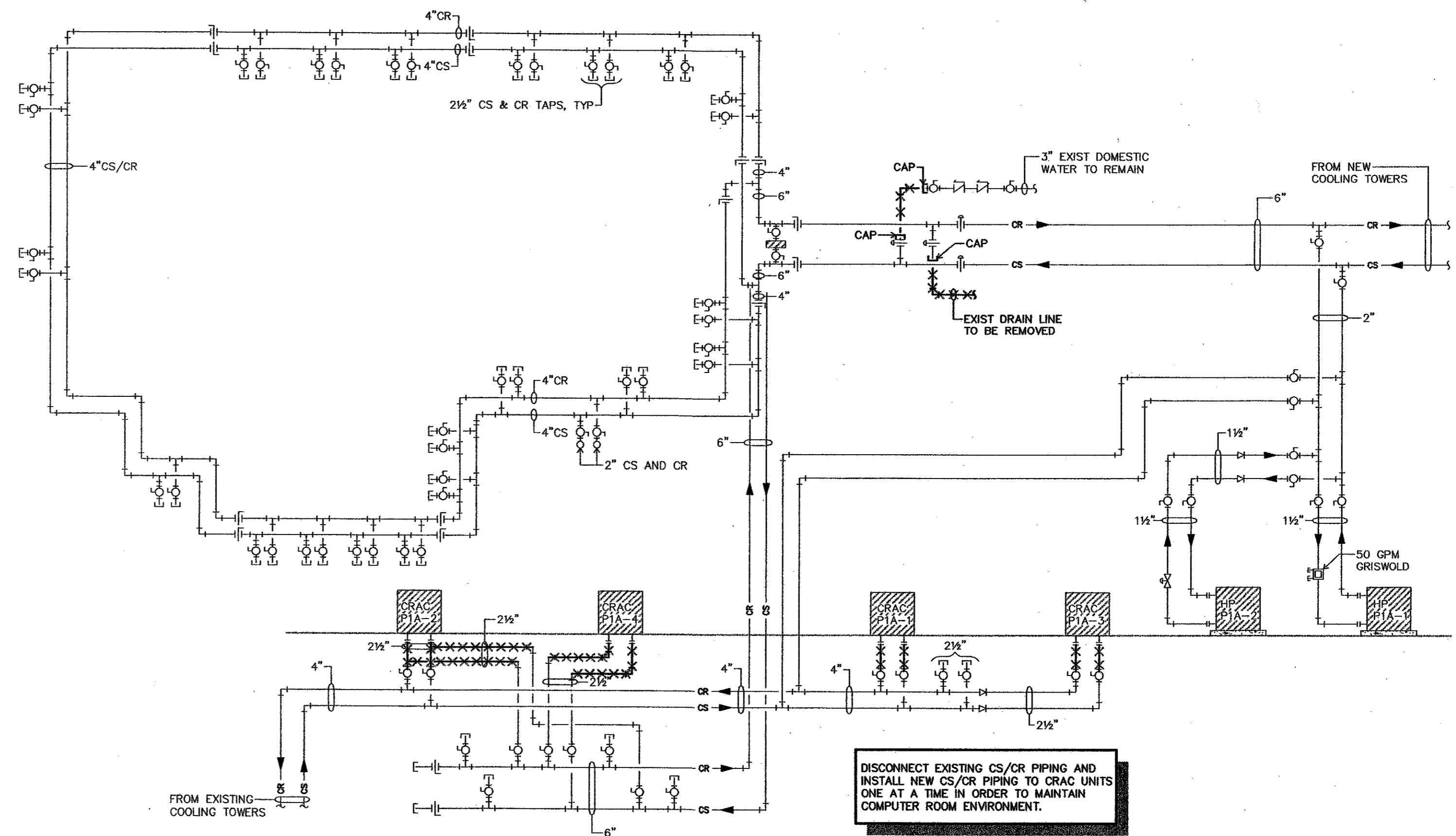
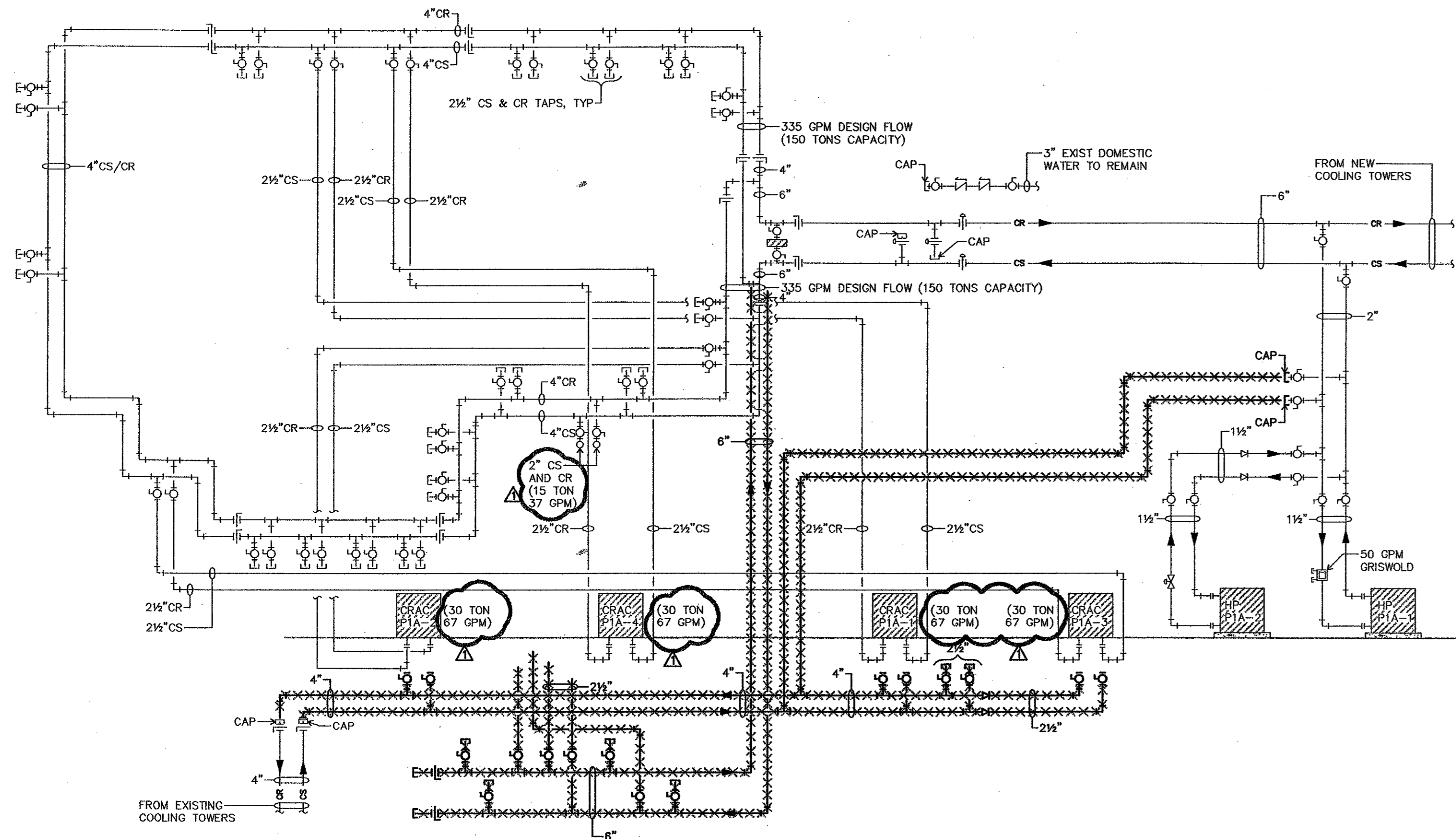


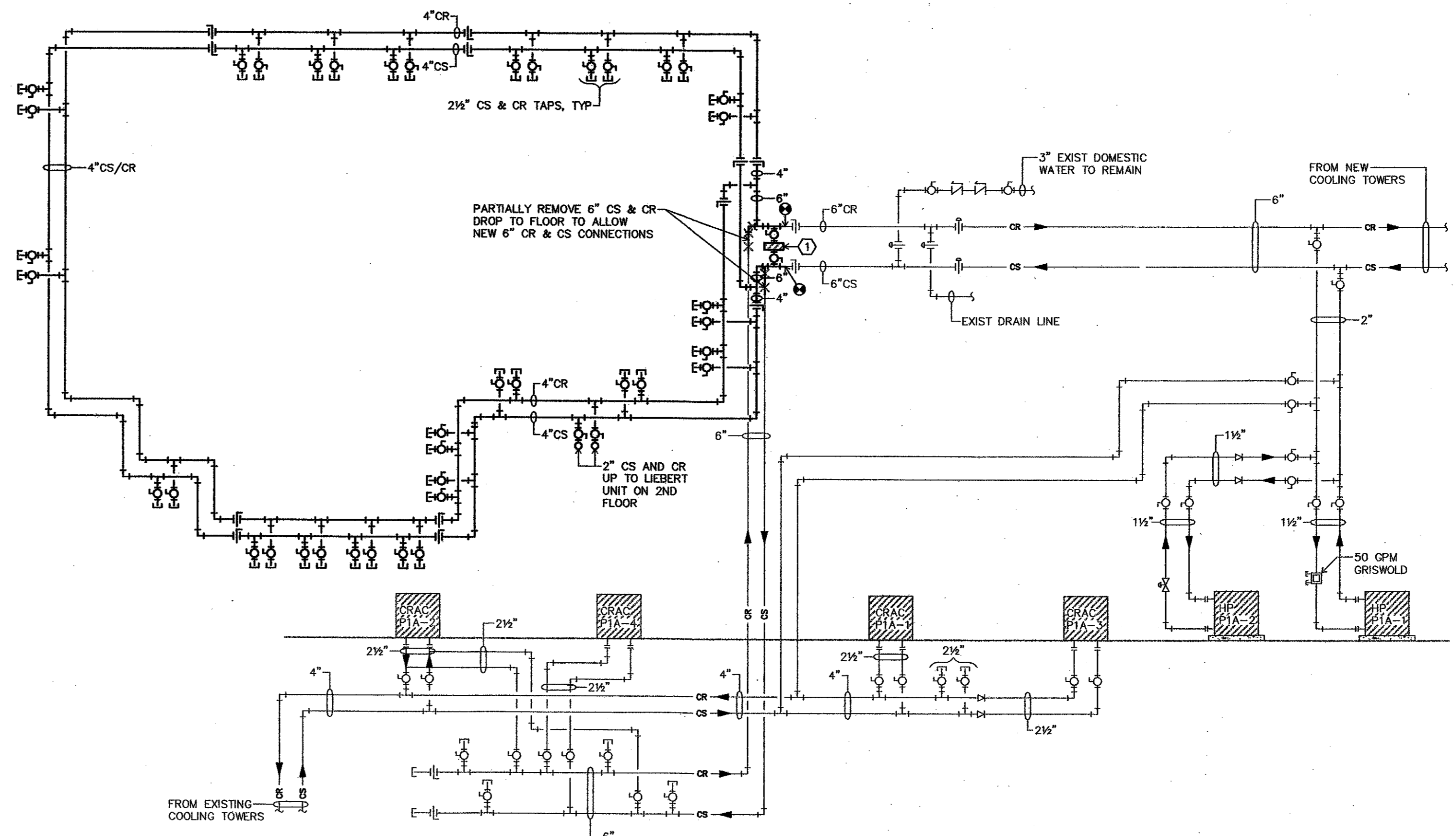
03 PHASE C - NEW
NOT TO SCALE



02 PHASE C - DEMOLITION
NOT TO SCALE



04 PHASE D - DEMOLITION
NOT TO SCALE

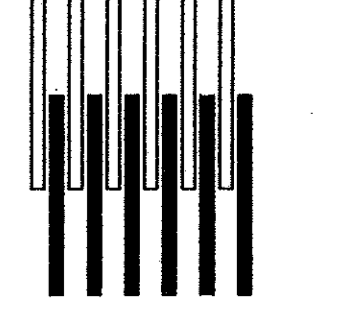


01 PHASE B - NEW
NOT TO SCALE

KEYED NOTES BY SYMBOL "O"

- ① NEW DIFFERENTIAL PRESSURE TRANSMITTER.
- ② RETROFIT CRAC UNITS WITH NEW 2-WAY VALVES BY CERTIFIED LIEBERT TECHNICIAN.
- ③ CONNECT NEW PIPING TO EXISTING LIEBERT UNIT ON 2ND FLOOR. CAP THE EXISTING 2" PIPING AND ABANDON IN PLACE.

DFW Consulting Group, Inc.
8410 Sterling
Irving, TX 75063
(972) 929-1199



Gregory Scott White
8/6/03



Mary Kay, Inc.
Corporate 1
Addison, Texas
Cooling Tower Addition

Project Revisions
▲ ADDENDUM # 08/06/03

Project Number:
02110

Issue Date
JULY 23, 2003

Sheet Title
**RISER
DIAGRAMS -
MECHANICAL**
Sheet Number
M3.03