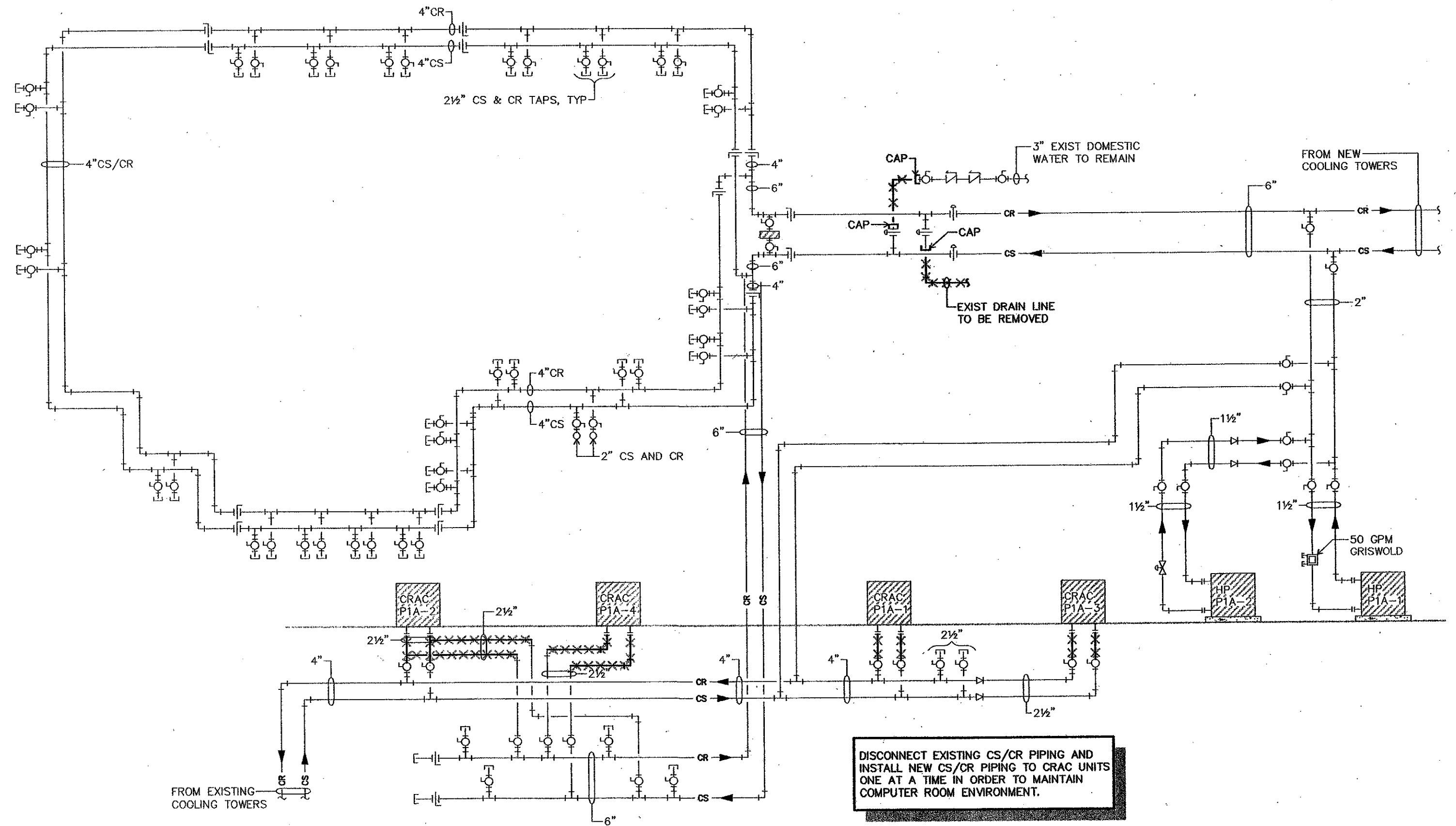
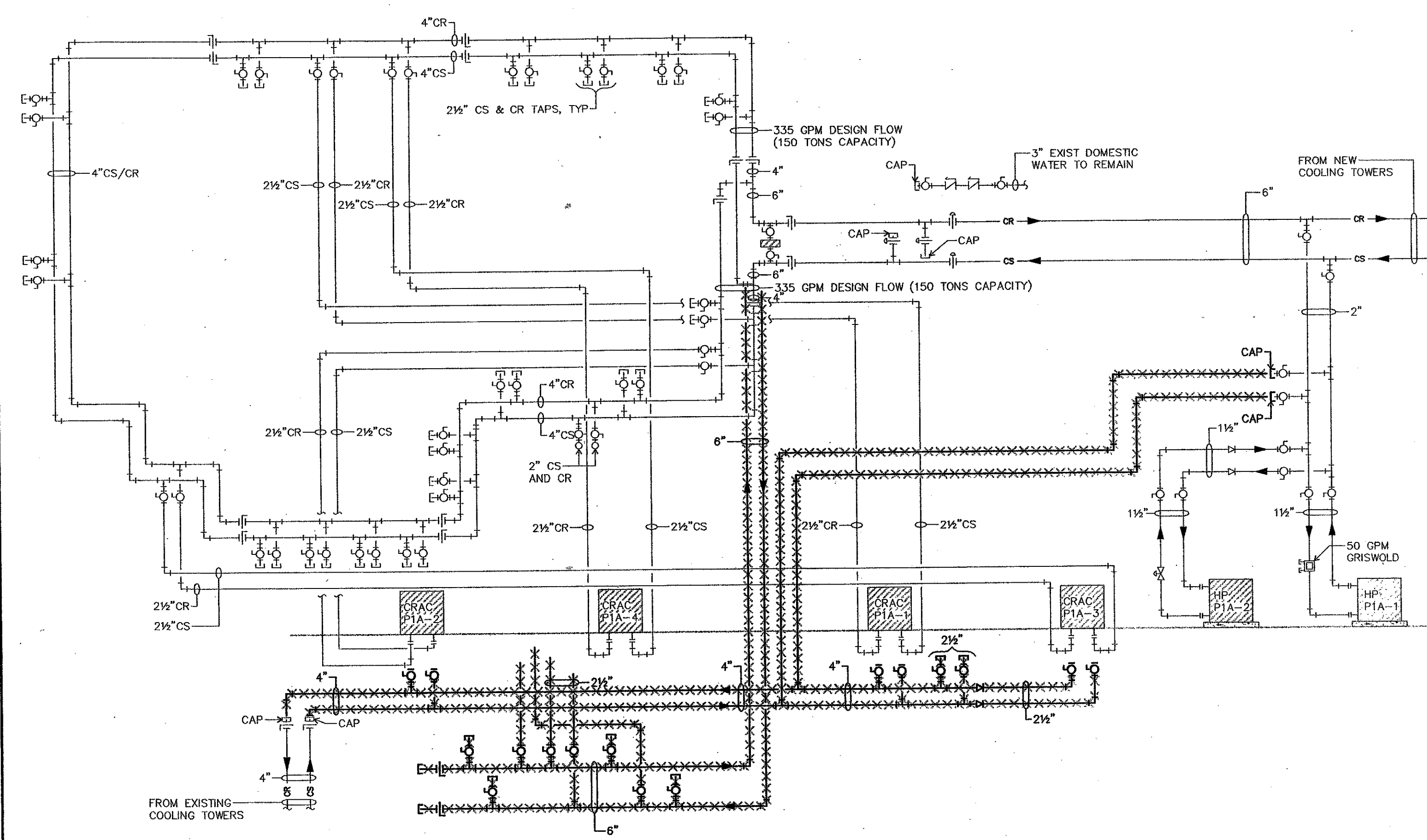


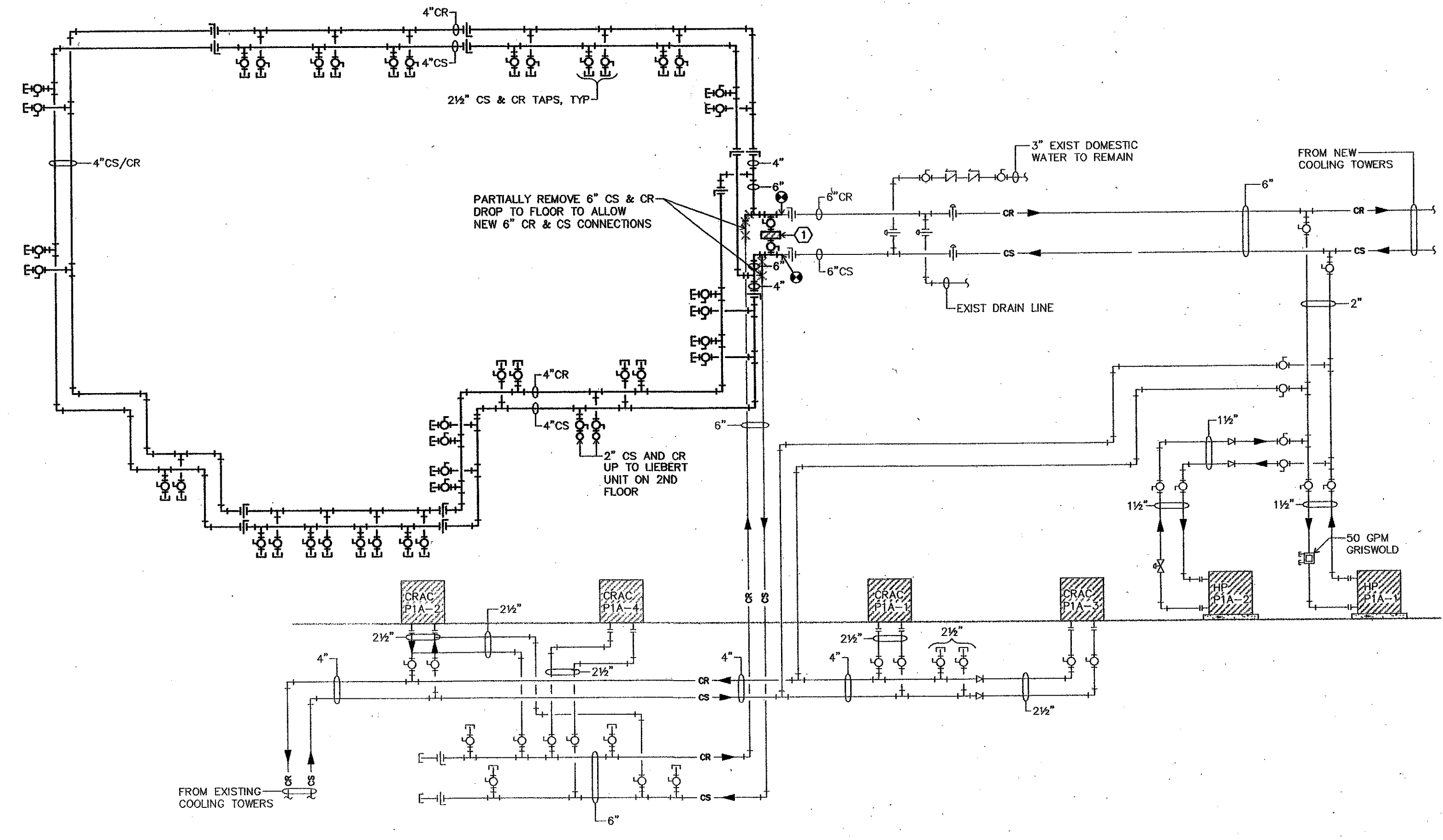
**03 PHASE C - NEW**  
NOT TO SCALE



**02 PHASE C - DEMOLITON**  
NOT TO SCALE



**04 PHASE D - DEMOLITION**  
NOT TO SCALE

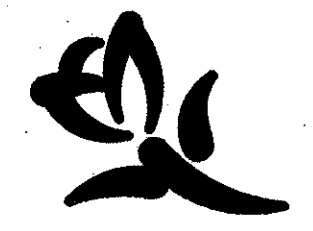
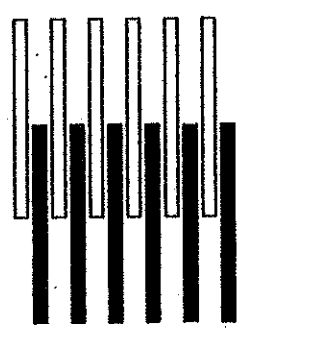


**01 PHASE B - NEW**  
NOT TO SCALE

**KEYED NOTES BY SYMBOL "O"**

- NEW DIFFERENTIAL PRESSURE TRANSMITTER.
- RETROFIT CRAC UNITS WITH NEW 2-WAY VALVES BY CERTIFIED LIEBERT TECHNICIAN.
- CONNECT NEW PIPING TO EXISTING LIEBERT UNIT ON 2ND FLOOR. CAP THE EXISTING 2" PIPING AND ABANDON IN PLACE.

**DFW Consulting Group, Inc.**  
8410 Sterling  
Irving, TX 75063  
(972) 929-1199



**Mary Kay, Inc.**  
Corporate 1  
Addison, Texas  
Cooling Tower Addition

Project Revisions

Project Number  
02110

Issue Date  
JULY 23, 2003

Sheet Title  
**RISER  
DIAGRAMS -  
MECHANICAL**  
Sheet Number  
**M3.03**