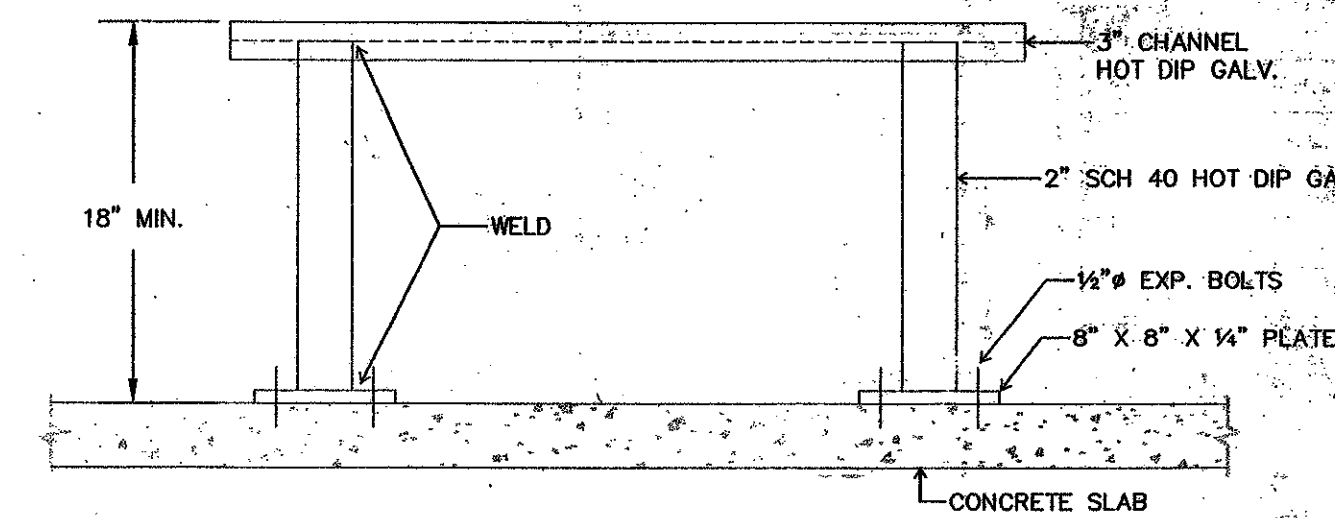
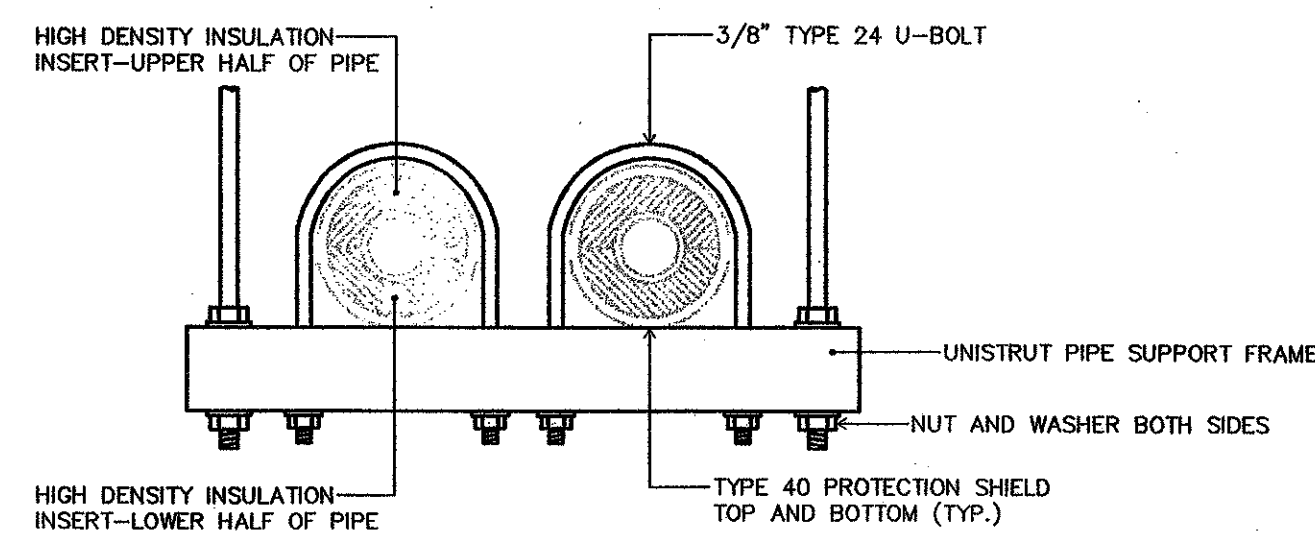


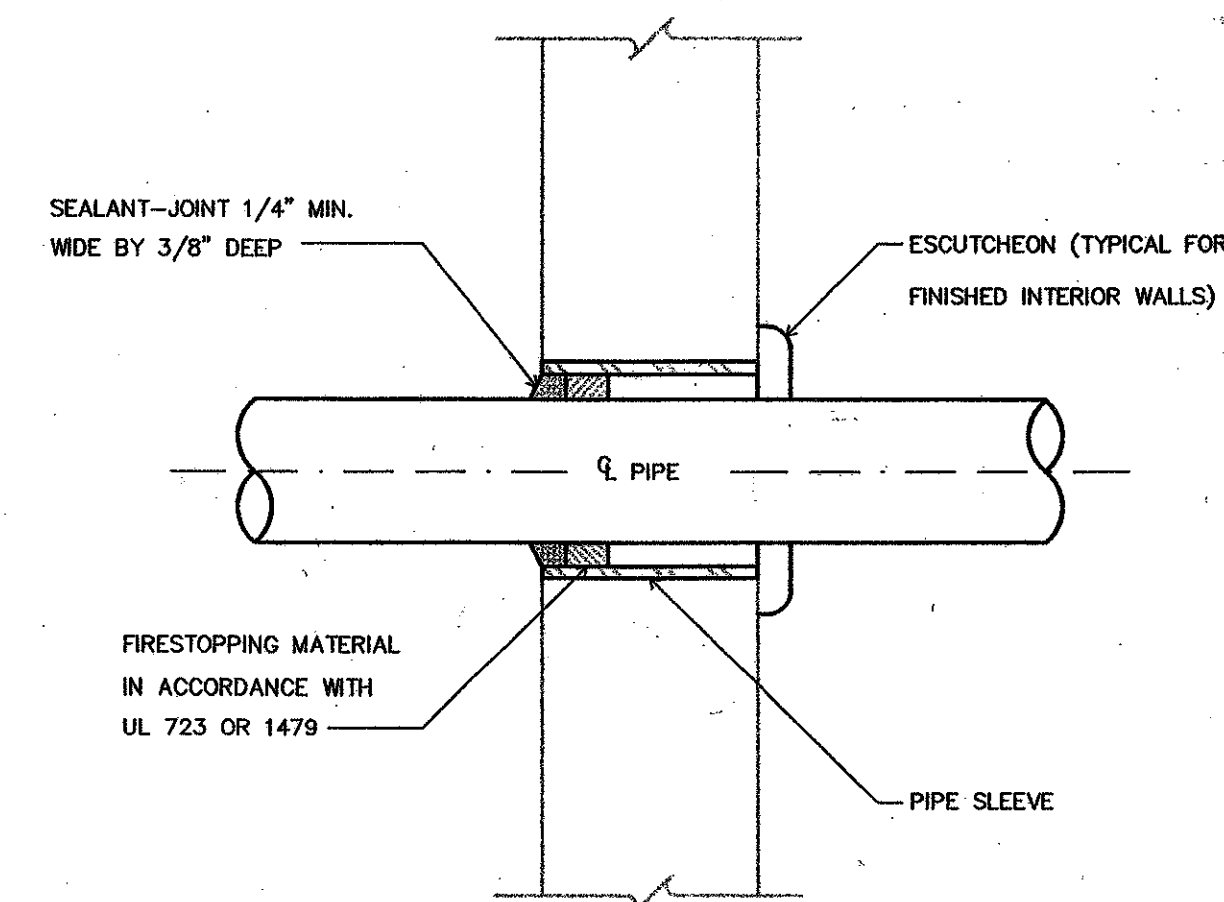
08 SMALL PIPE SUPPORT DETAIL
NOT TO SCALE



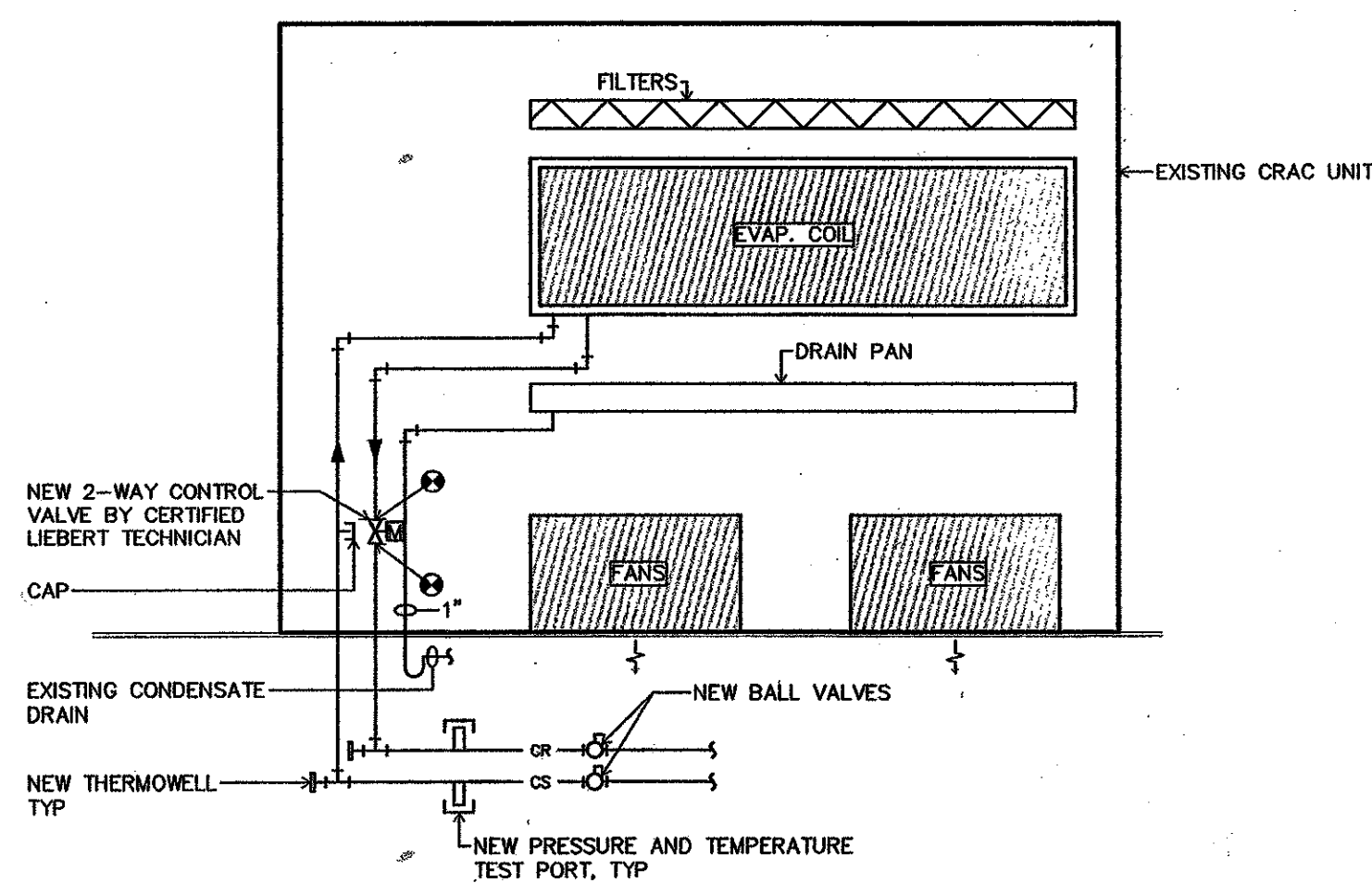
04 PIPE SUPPORT DETAIL
NOT TO SCALE



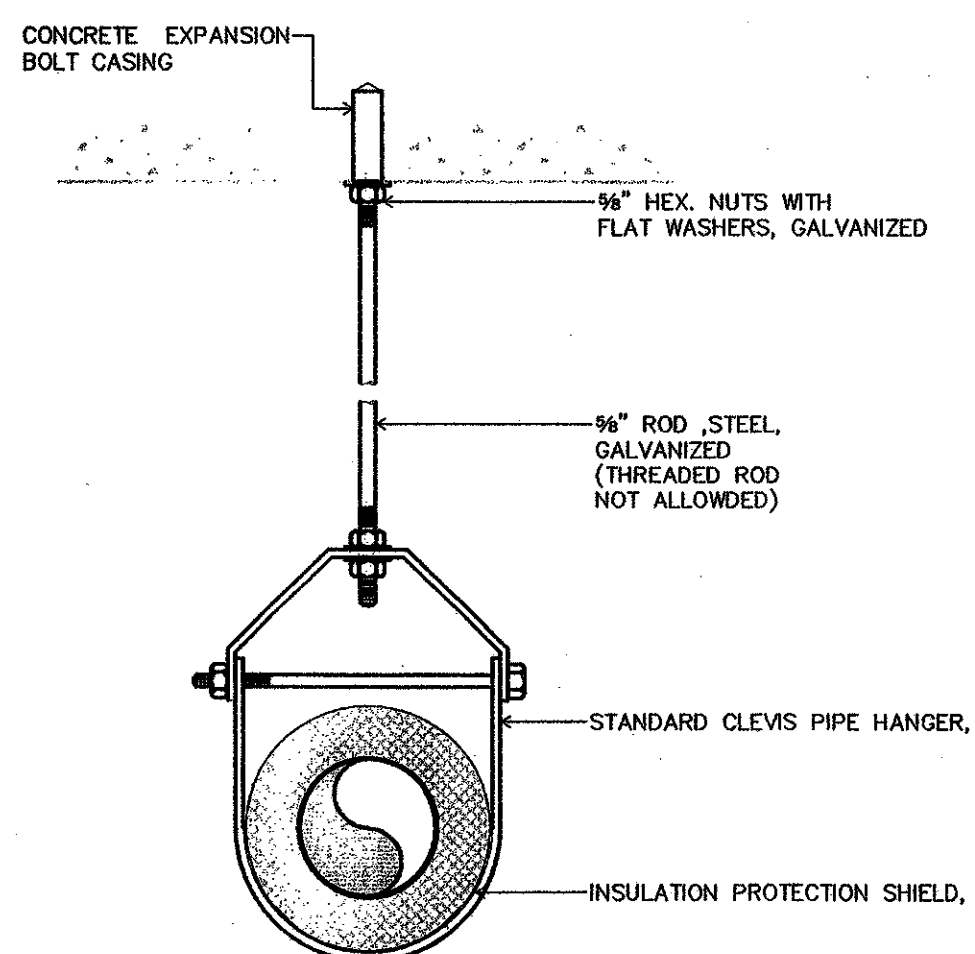
07 HORIZONTAL PIPE SUPPORT DETAIL
NOT TO SCALE



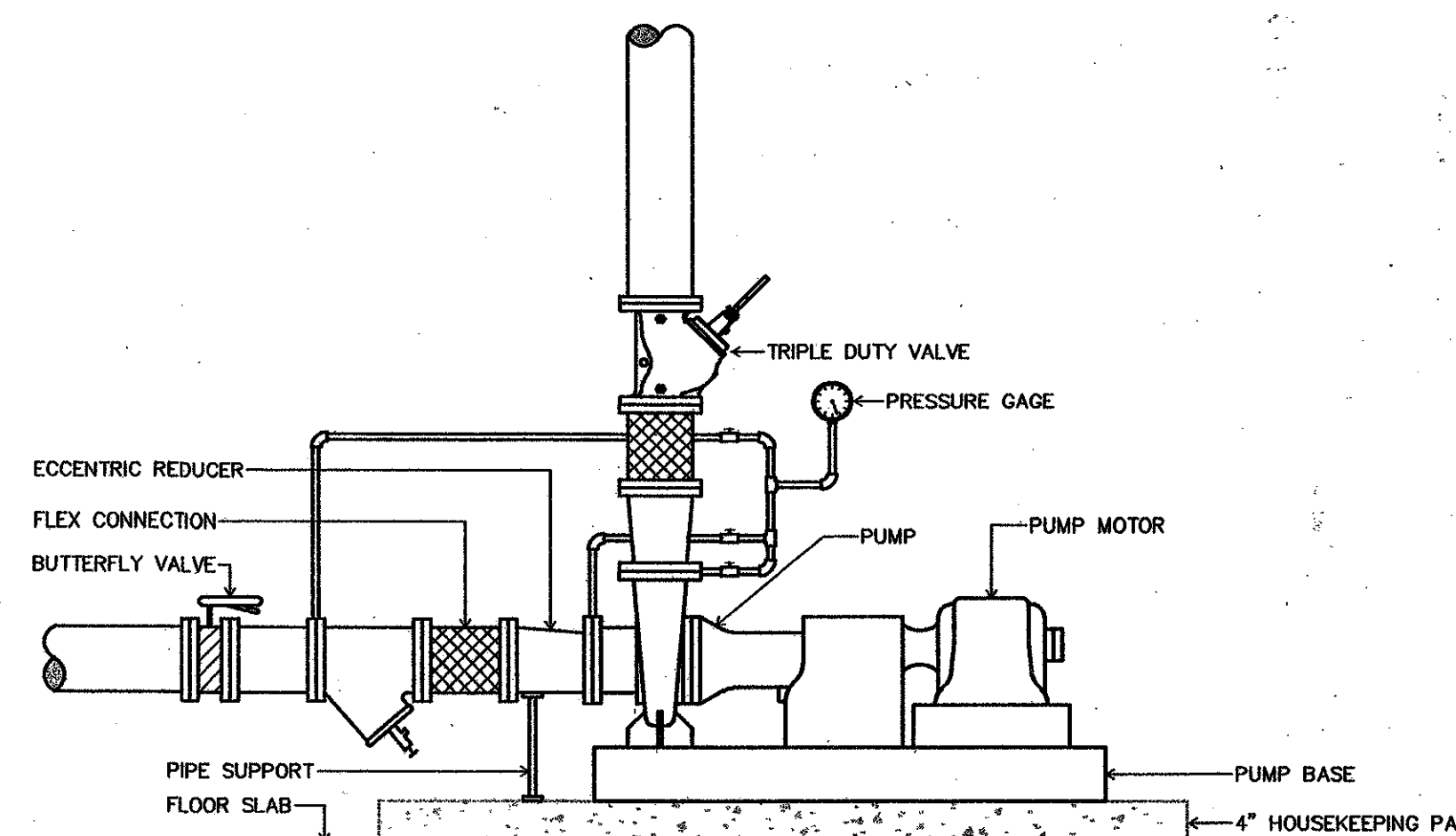
03 TYPICAL FIRE WALL PENETRATION DETAIL
NOT TO SCALE



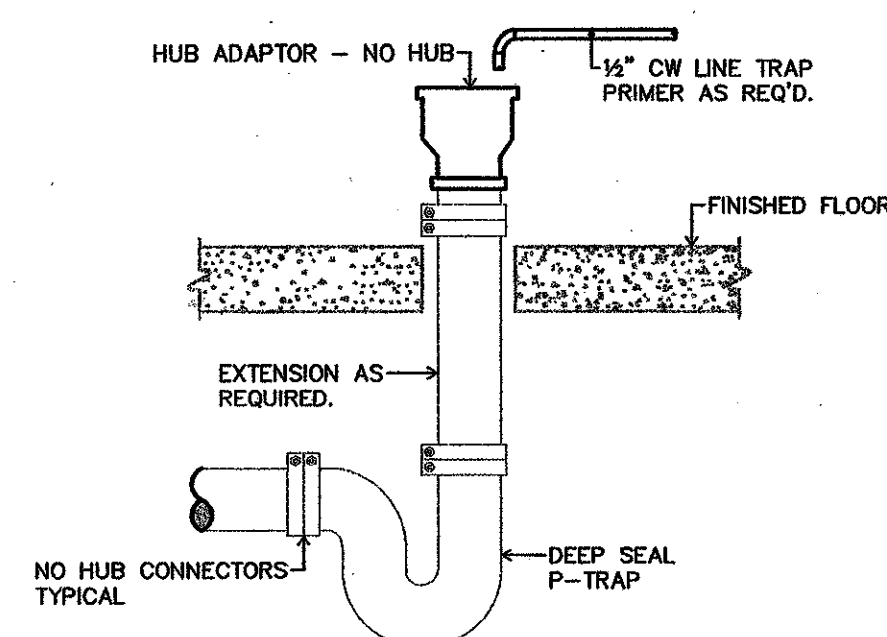
10 TYPICAL CRAC UNIT PIPING SCHEMATIC
NOT TO SCALE



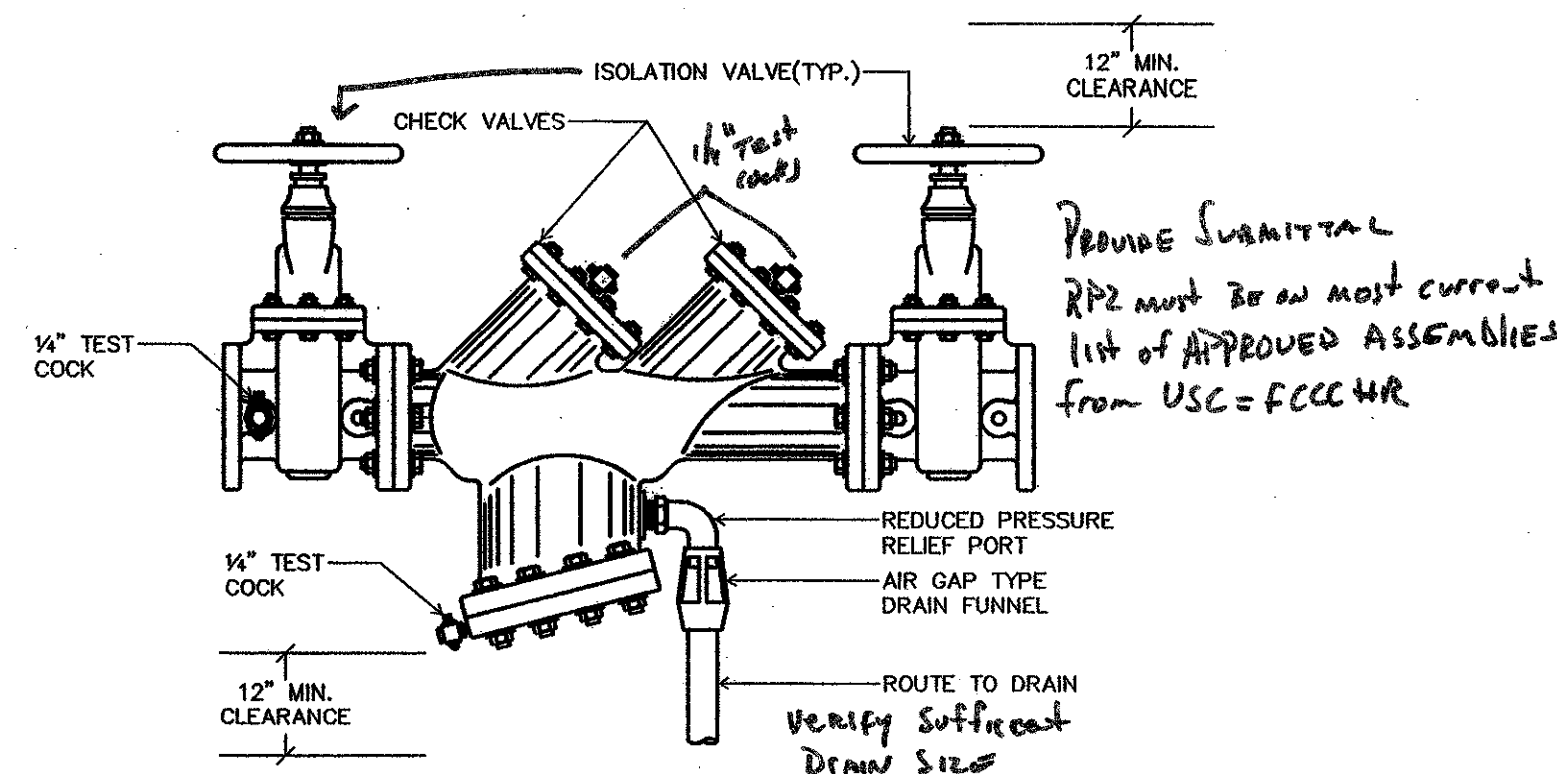
06 PIPE HANGER
NOT TO SCALE



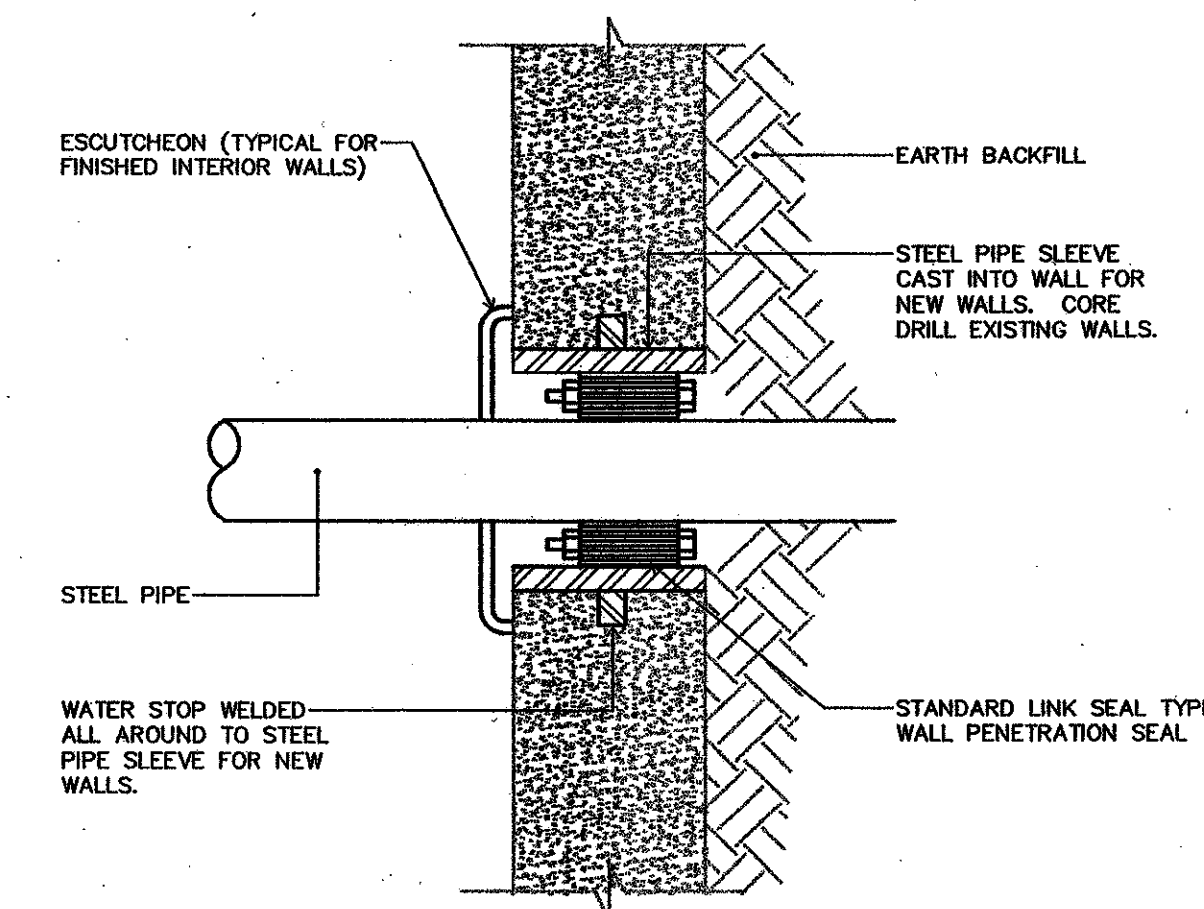
02 END SUCTION PUMP PIPING DETAIL
NOT TO SCALE



09 HUB DRAIN DETAIL
NOT TO SCALE



05 BACKFLOW PREVENTER DETAIL
NOT TO SCALE



01 TYPICAL PIPE WALL PENETRATION BELOW GRADE
NOT TO SCALE

