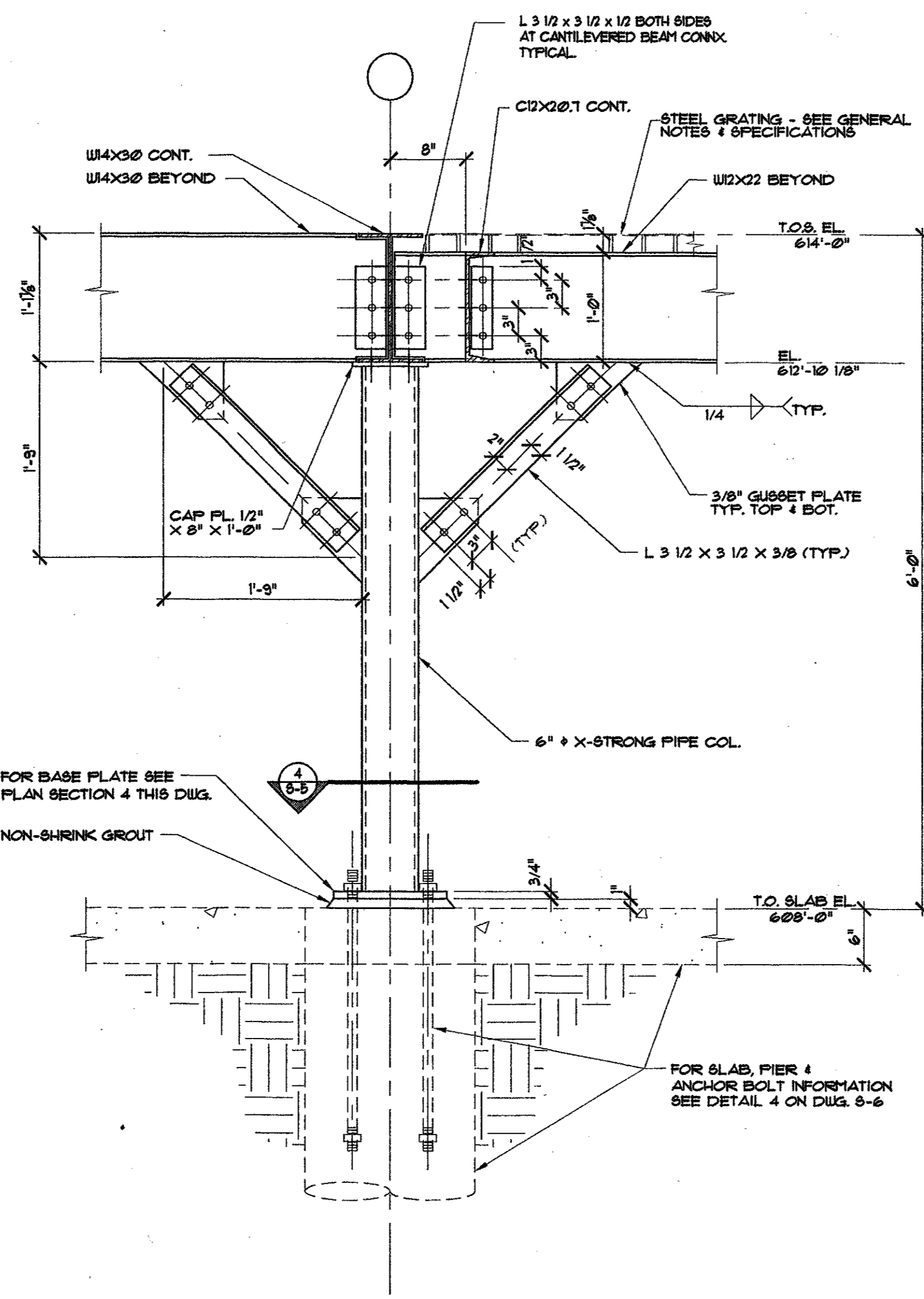
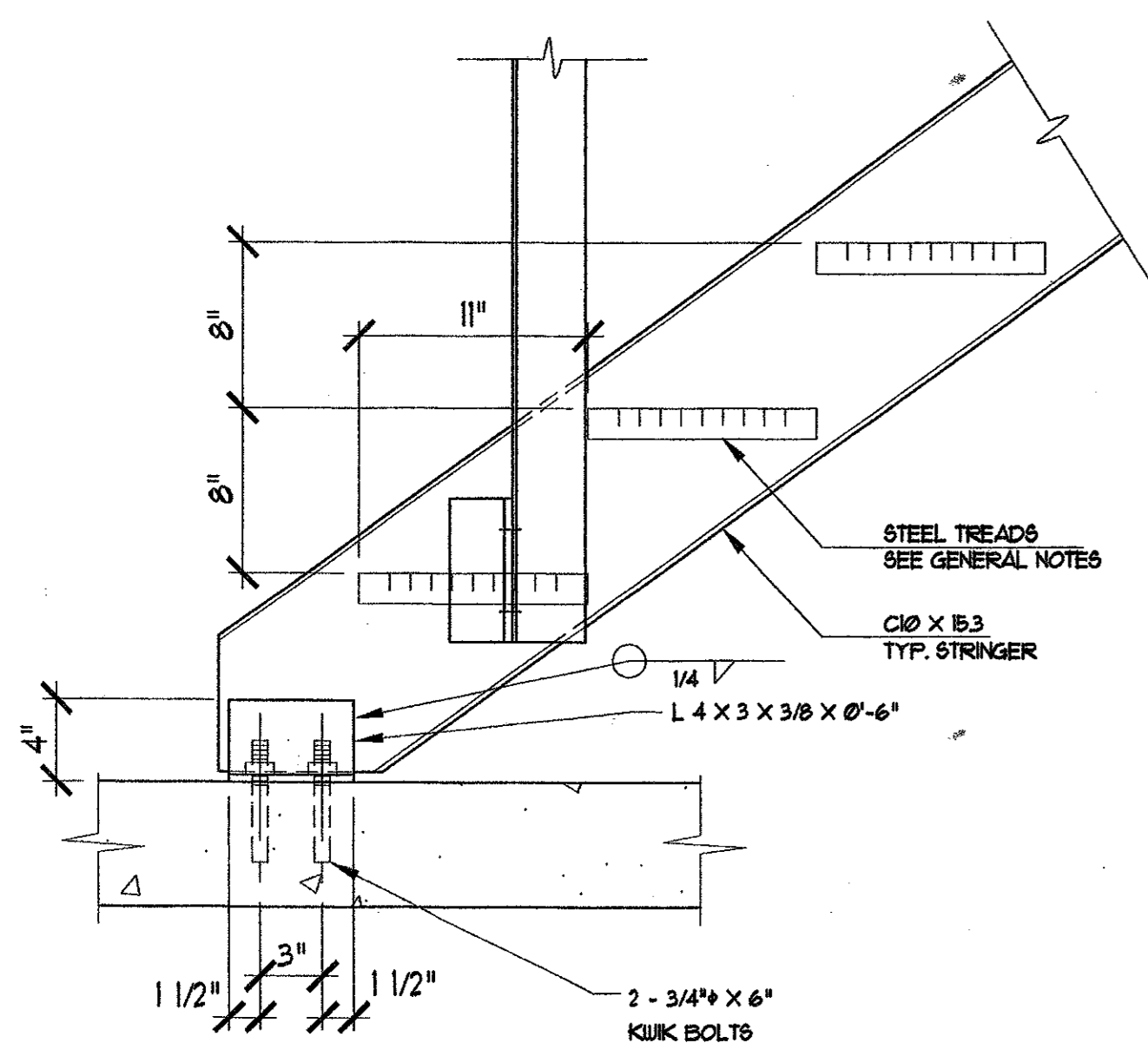


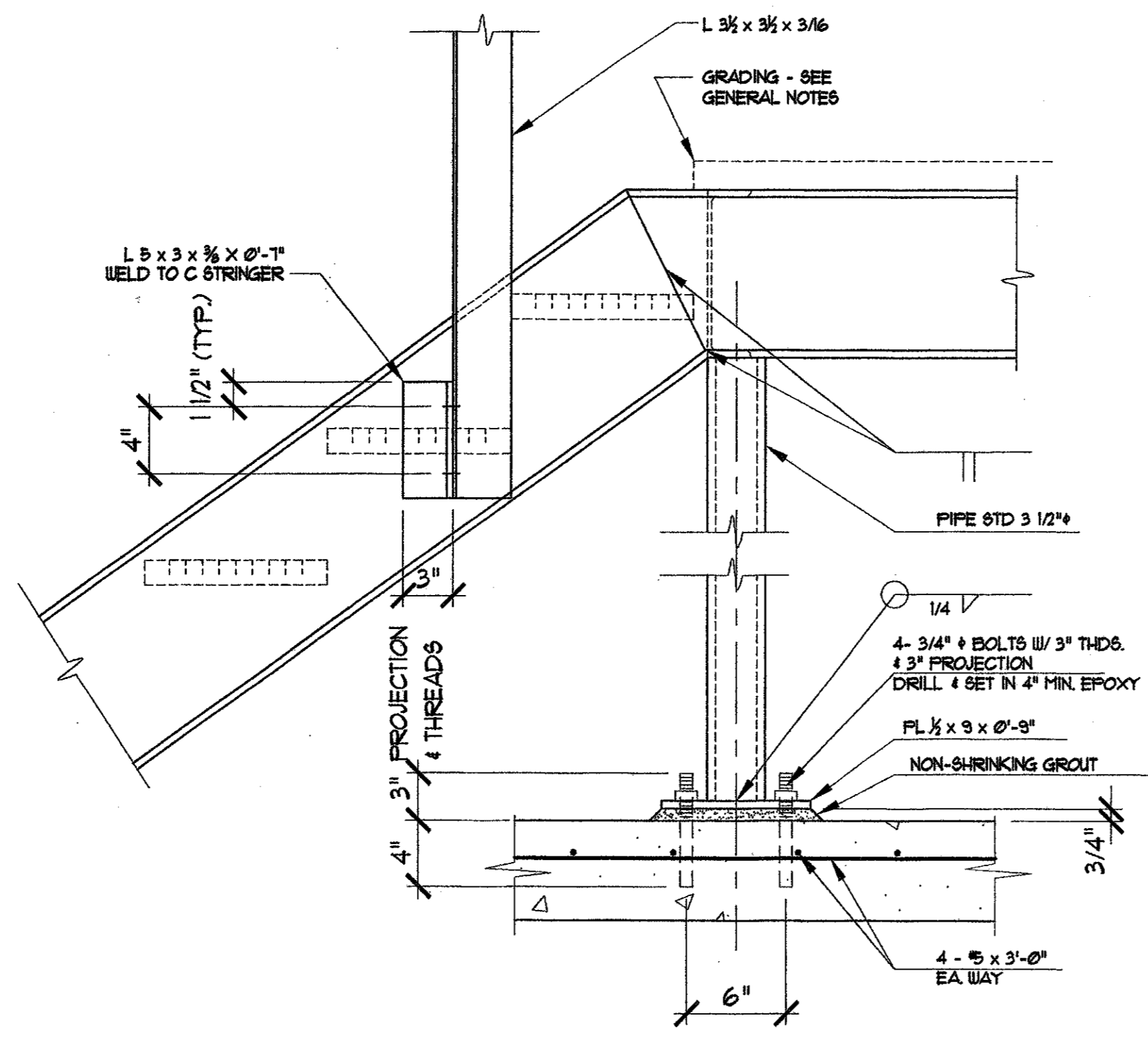
1 SECTION
SCALE: 1" = 1'-0"



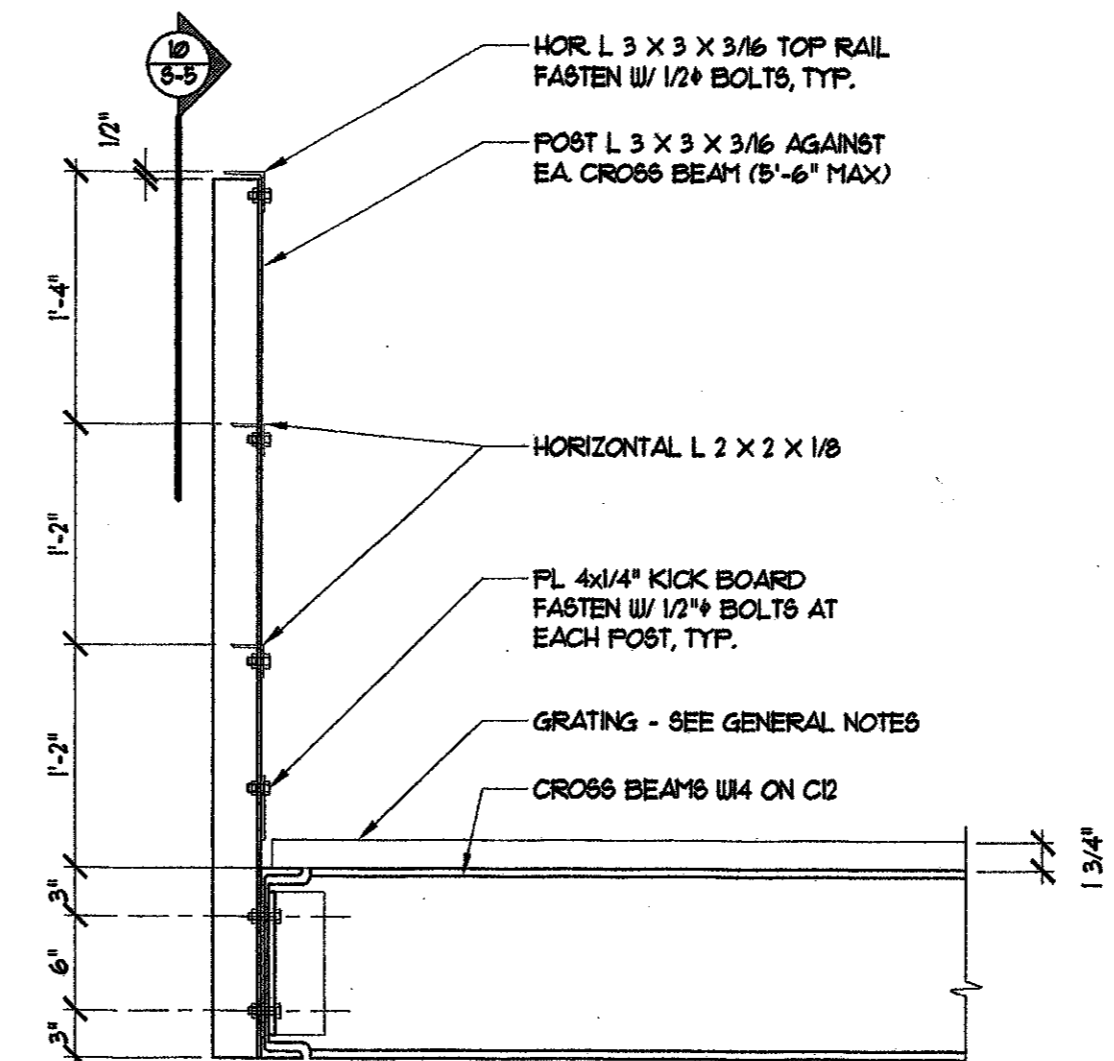
2 SECTION
SCALE: 1" = 1'-0"



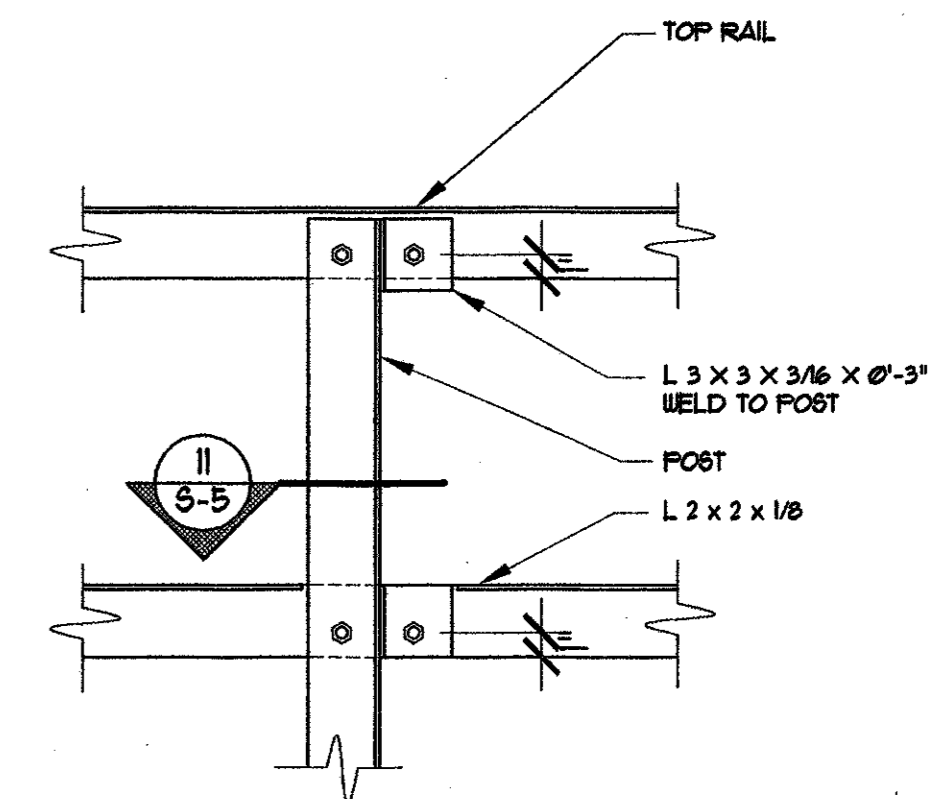
7 TYP. TREAD CONNX.
SCALE: 1 1/2" = 1'-0"



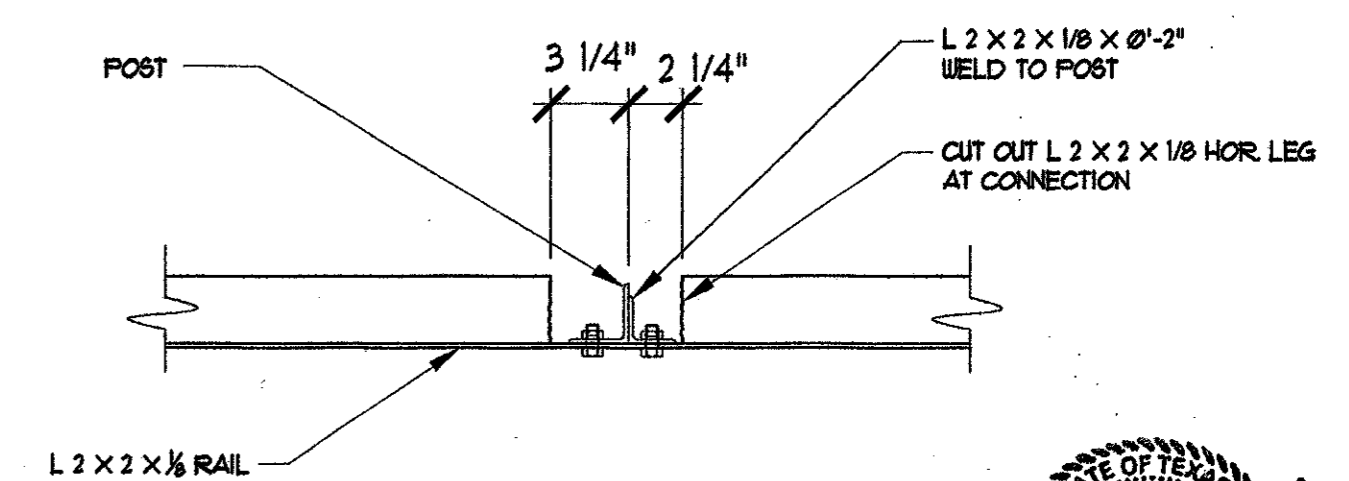
8 LANDING
SCALE: 1 1/2" = 1'-0"



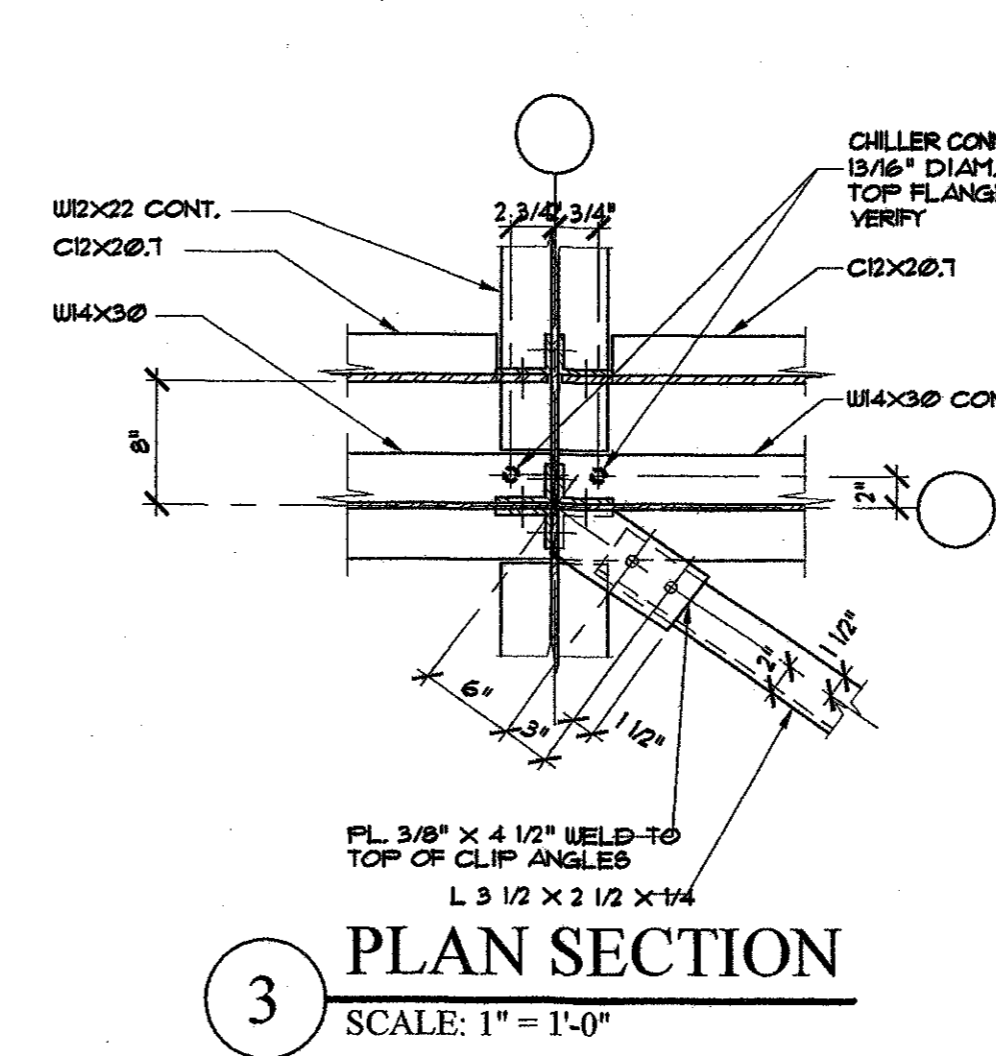
9 HAND RAIL DETAIL
SCALE: 1" = 1'-0"



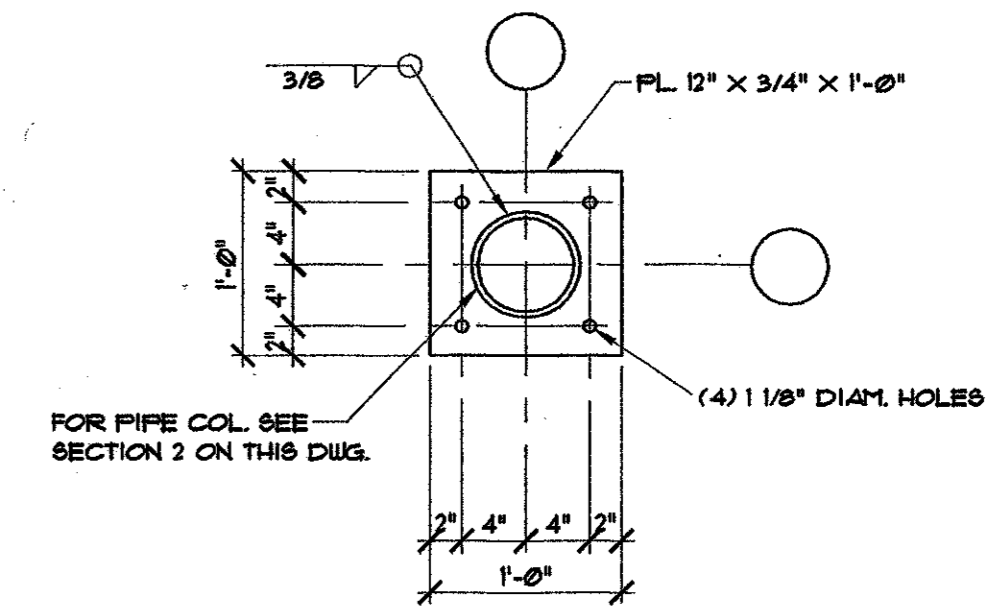
10 TYP. POST-RAIL CONNX.
SCALE: 1 1/2" = 1'-0"



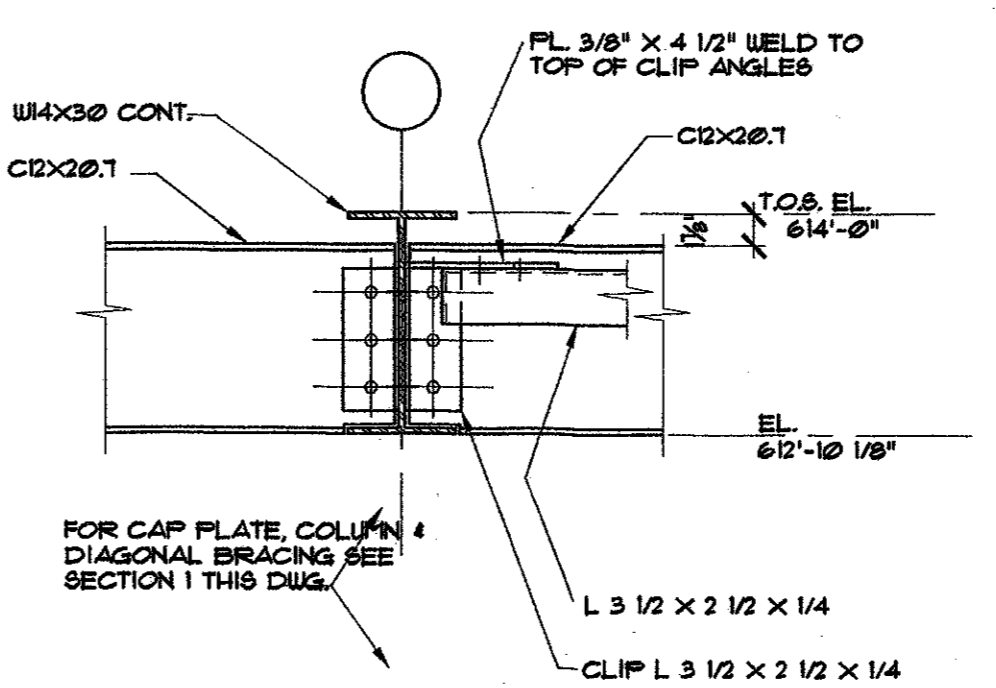
11 TYP. POST-RAIL CONNX.
SCALE: 1 1/2" = 1'-0"



3 PLAN SECTION
SCALE: 1" = 1'-0"



4 PLAN SECTION
SCALE: 1" = 1'-0"



6 SECTION
SCALE: 1" = 1'-0"

DFW Consulting Group, Inc.
8410 Sterling
Irving, TX 75063
(972) 929-1199

Structural Engineering
Architectural Engineering
8688 Northwest Plaza Drive
Suite 214
Dallas, Texas 75225
214-373-0164
214-373-0170 Fax
reedtygp@swbell.net



Mary Kay, Inc.
Corporate 1
Addison, Texas
Cooling Tower Addition

Project Revisions

Project Number
02110

Issue Date

23 July 2003

Sheet Title
SECTIONS & DETAILS

Sheet Number

S-05

