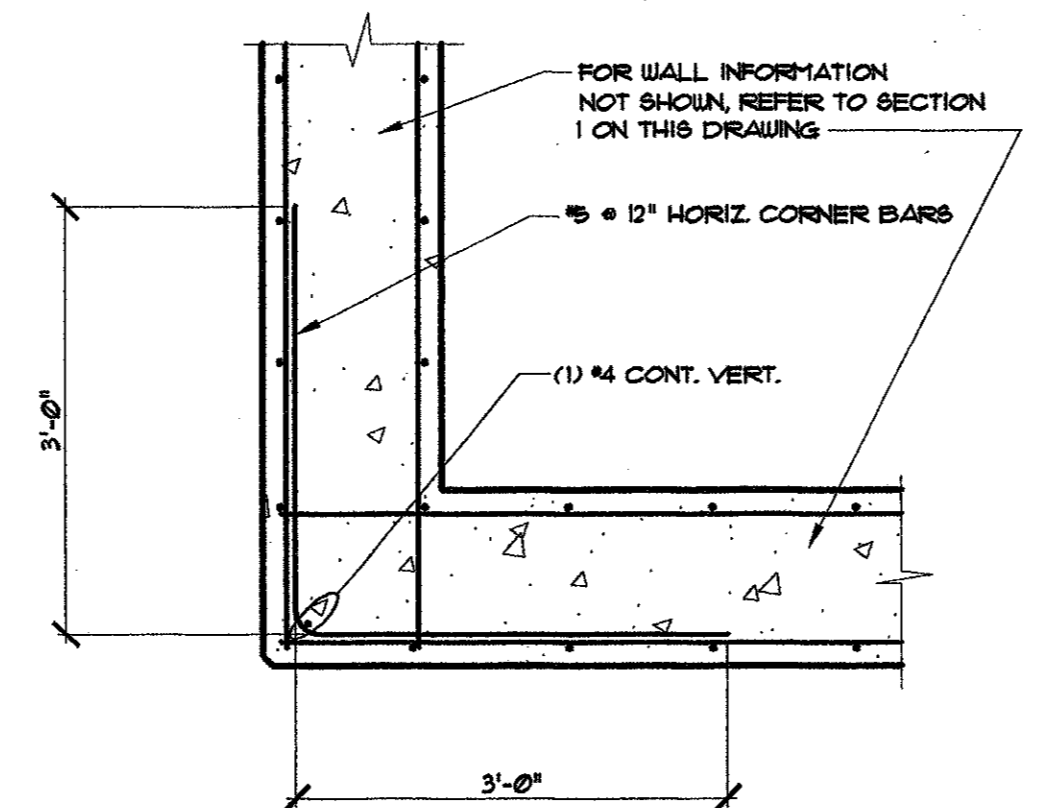


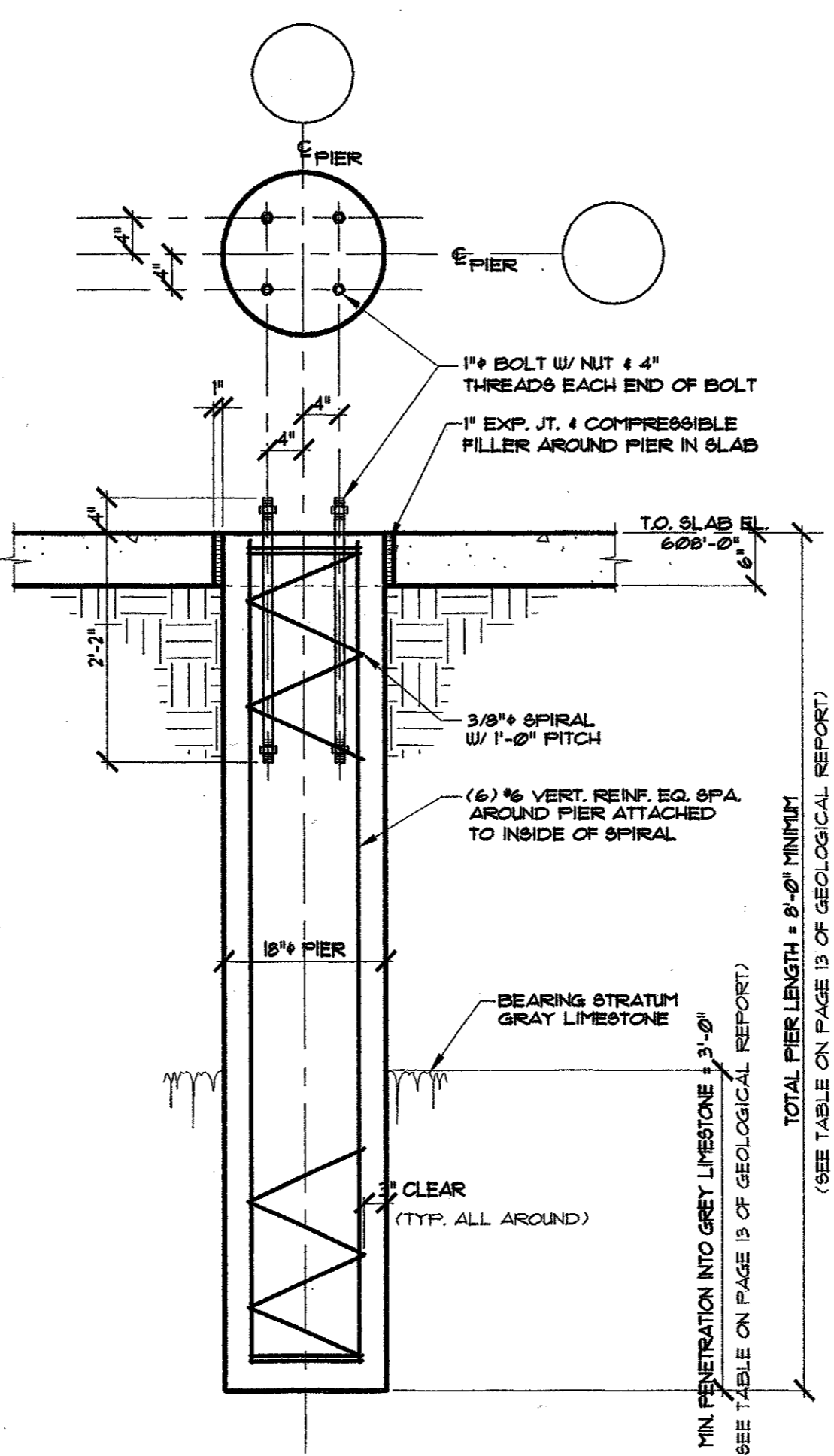
1 SECTION  
SCALE: 3/4" = 1'-0"

NOTE: PROVIDE VERTICAL CONTINUOUS CONTROL JOINTS AS FOLLOWS TO ALL EXPOSED TO VIEW CONCRETE WALLS AND RETAINING WALLS. CONTROL JOINTS SHALL BE 1/2" DEEP AND SPACED AT 20'-0" O.C. MAX. COORD. WITH ENGINEER PRIOR TO CONSTRUCTION.

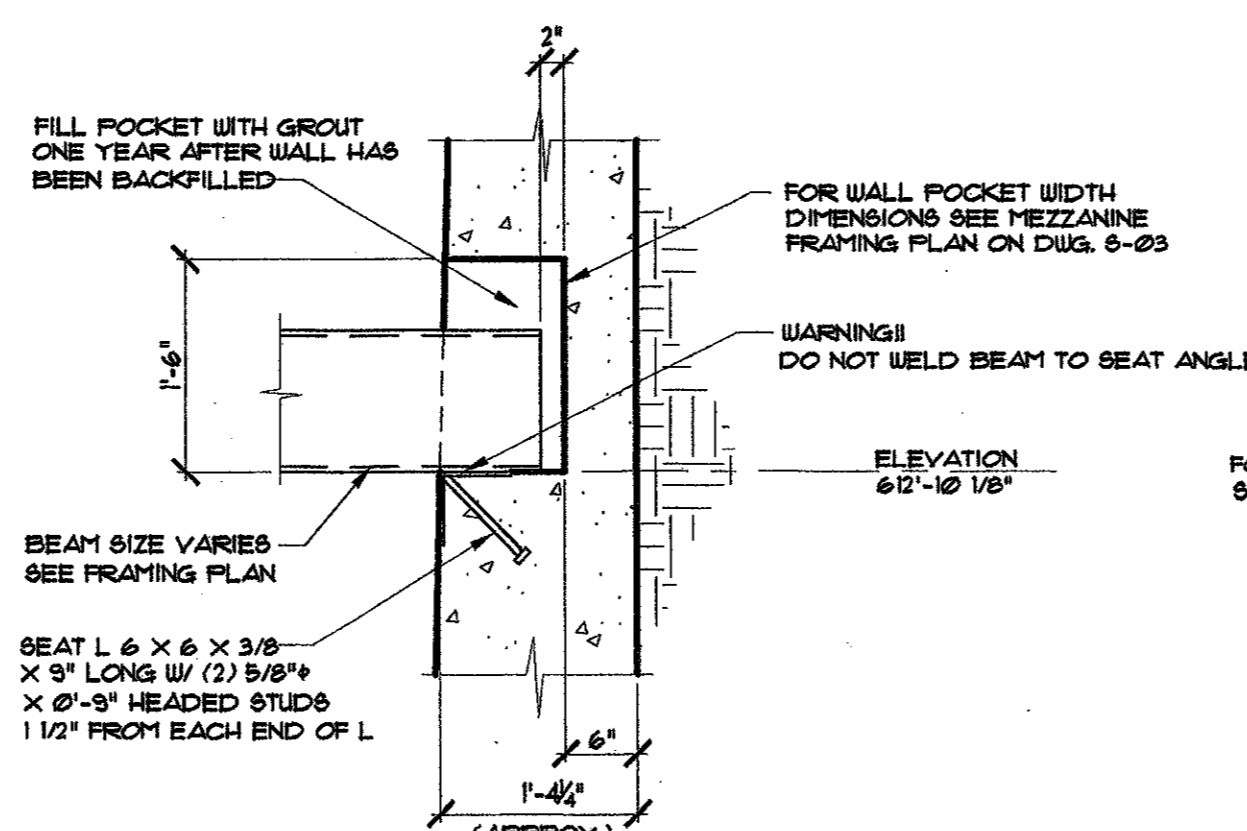


TYPICAL CORNER BAR DETAIL

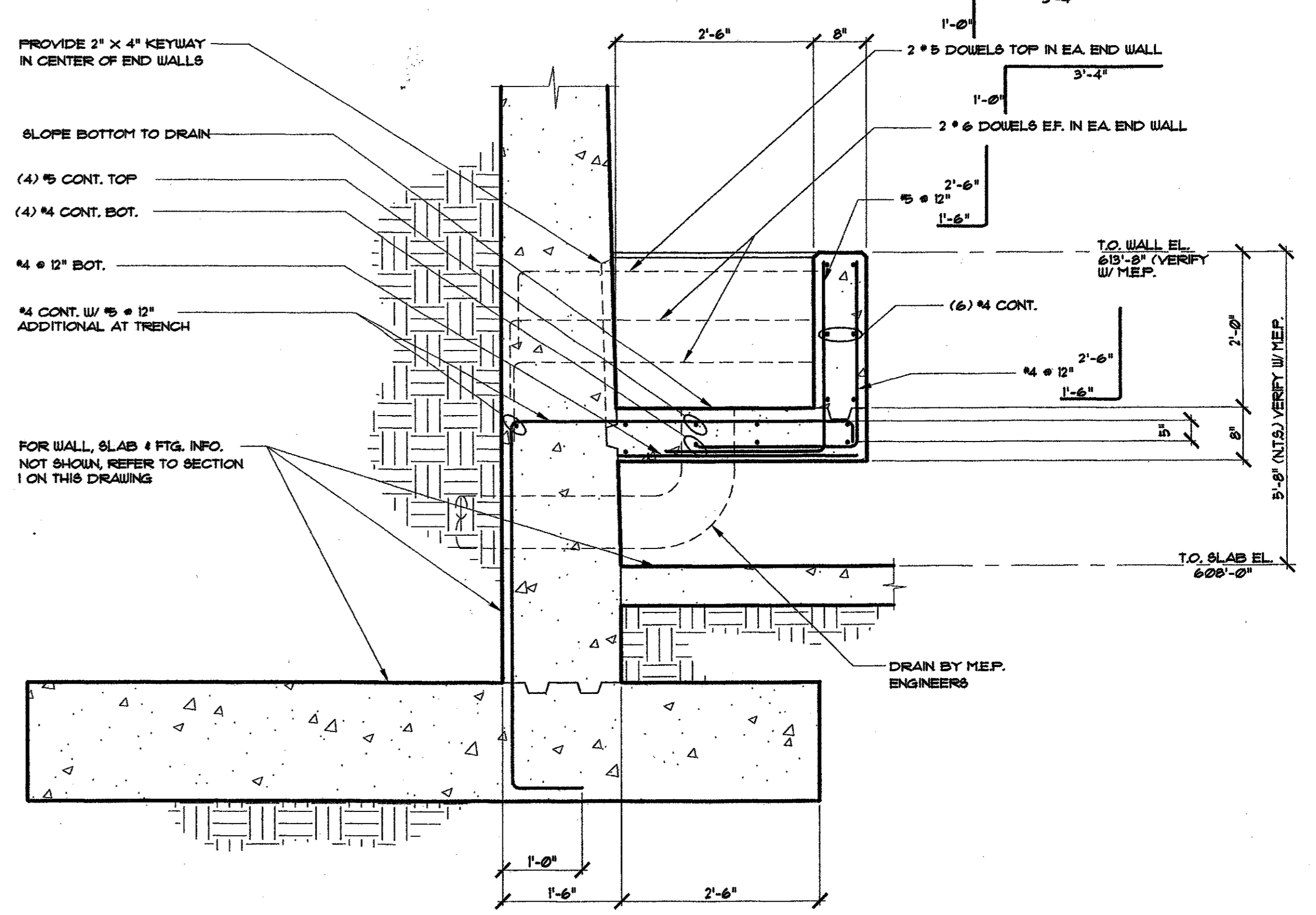
2 PLAN  
SCALE: 3/4" = 1'-0"



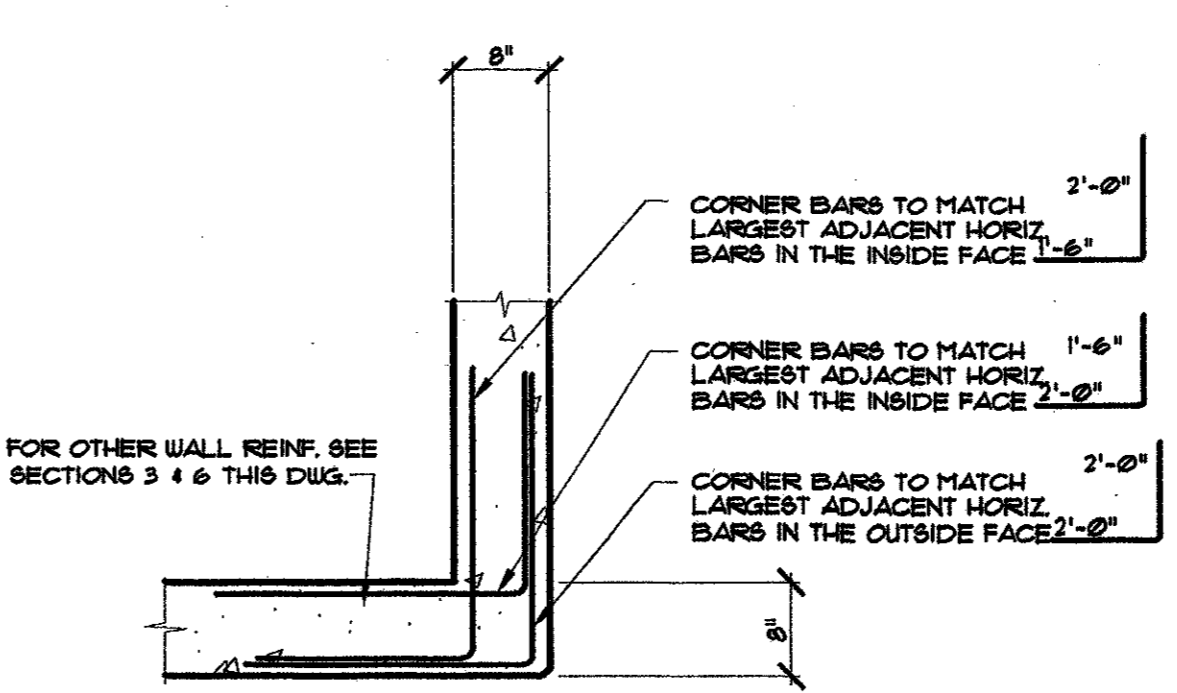
3 SECTION  
SCALE: 3/4" = 1'-0"



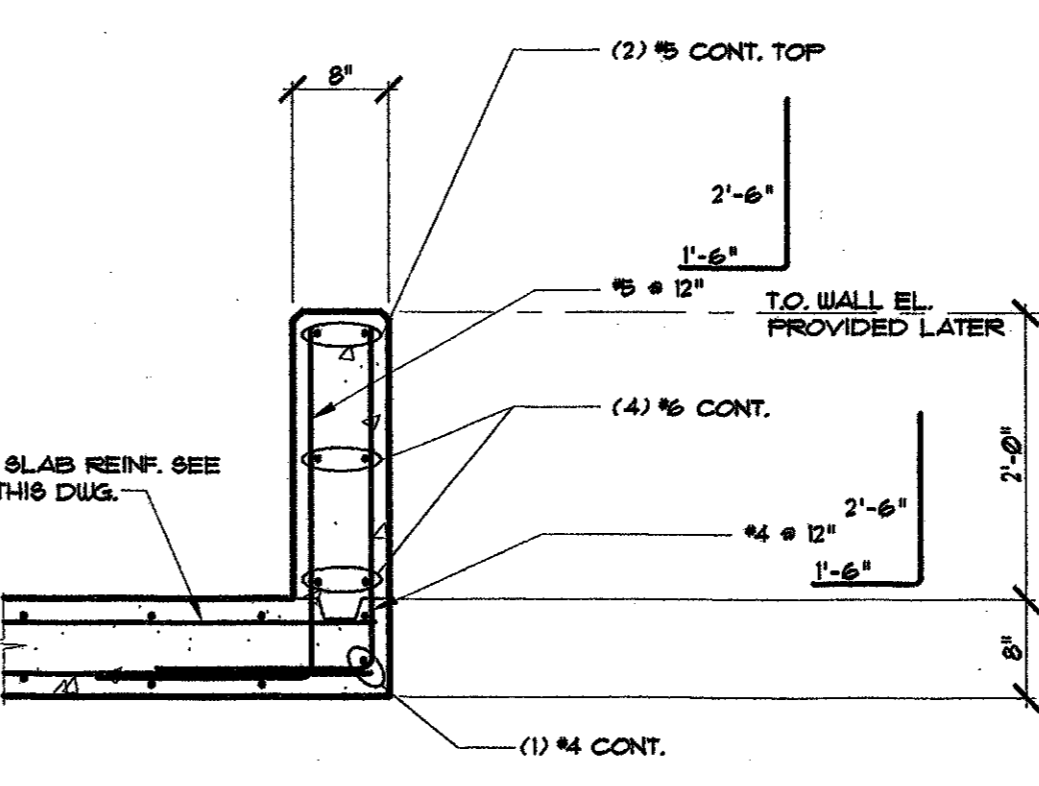
4 SECTION  
SCALE: 3/4" = 1'-0"



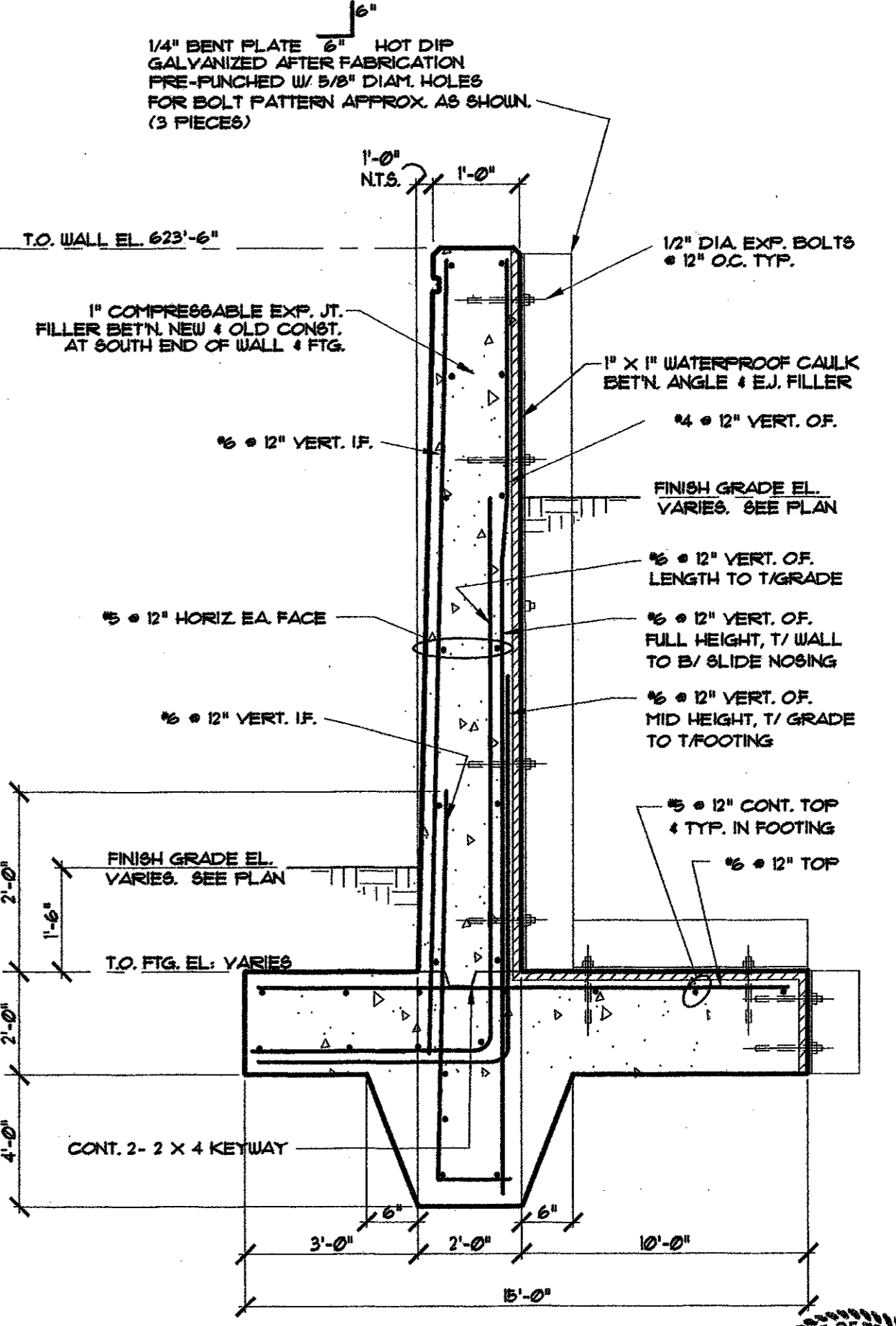
5 SECTION  
SCALE: 3/4" = 1'-0"



6 PLAN  
SCALE: 3/4" = 1'-0"



7 SECTION  
SCALE: 3/4" = 1'-0"



8 SECTION  
SCALE: NO SCALE

NOTE: PROVIDE VERTICAL CONTINUOUS CONTROL JOINTS AS FOLLOWS TO ALL EXPOSED TO VIEW CONCRETE WALLS AND RETAINING WALLS. CONTROL JOINTS SHALL BE 1/2" DEEP AND SPACED AT 20'-0" O.C. MAX. COORD. WITH ENGINEER PRIOR TO CONSTRUCTION.

