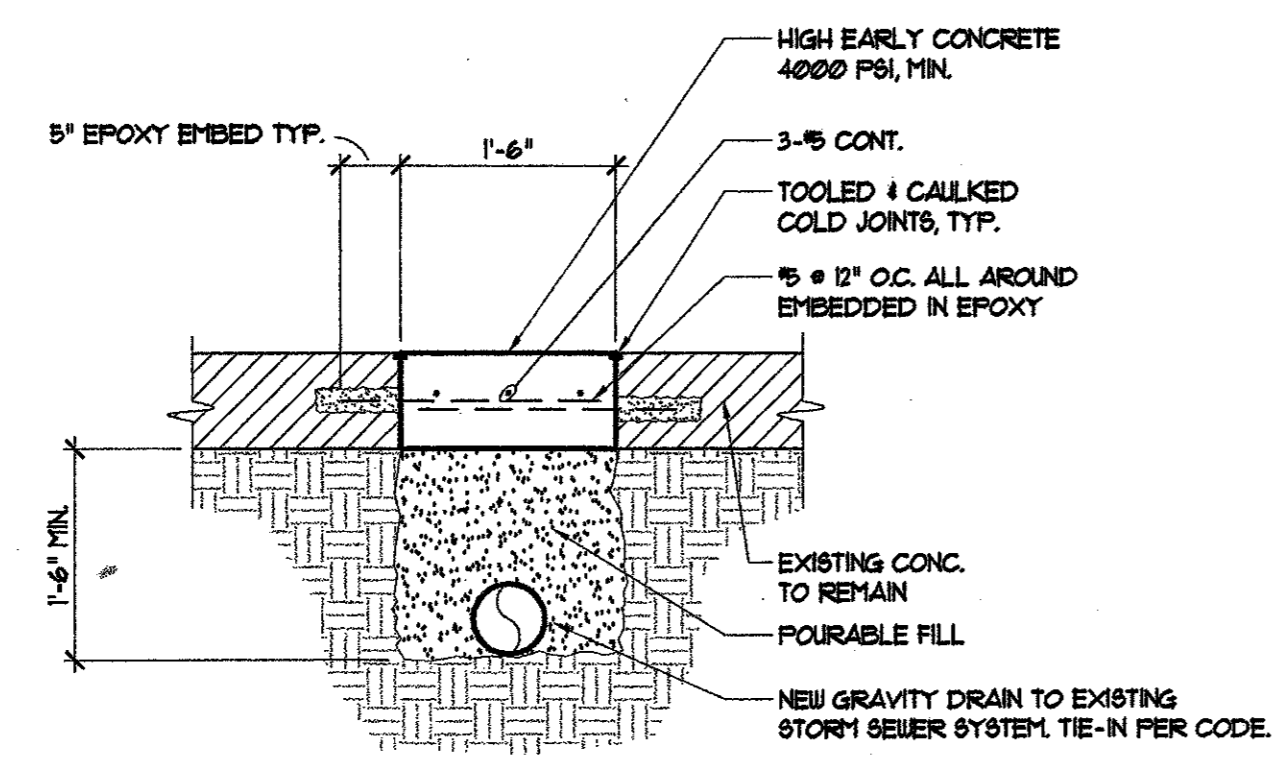


PLAN NOTES:

- 1 REMOVE SPOILAGE FROM SITE.
- 2 REPLANT LANDSCAPING TO MATCH EXIST. REMOVED
- 3 RETAIN SOME SPOILAGE TO FILL EXCAVATION. COMPACT FILL MATERIALS PER SPEC.
- 4 URETHANE INJECT 50 LF. OF CRACKS IN CEILING STRUCTURE. XYPEX 300 SF. OF WEST WALL.
- 5 URETHANE INJECT 50 LF. OF CRACKS IN CEILING STRUCTURE. XYPEX 400 SF. OF WEST WALL. REMOVE AND REPLACE 32 SF. OF SUSPENDED CEILING GRID AS REQUIRED TO INSPECT AND INJECT CEILING STRUCTURE.
- 6 URETHANE INJECT 100 LF. OF CRACKS IN CEILING STRUCTURE. XYPEX 800 SF. OF WEST WALL. REMOVE AND REPLACE 100 SF. OF SUSPENDED CEILING GRID AS REQUIRED TO INSPECT AND INJECT CEILING STRUCTURE.

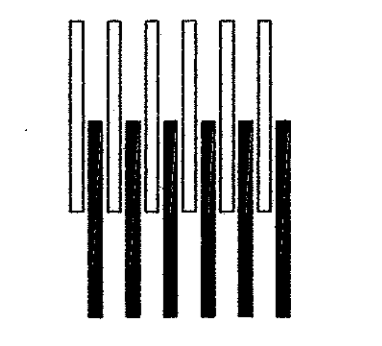
1 PARTIAL FLOOR PLAN
SCALE: 1/16" = 1'-0"

WORK SPECIFIED ON THIS SHEET IS TO BE PERFORMED UNDER AN ALTERNATE BID. REFER TO THE SPECIFICATIONS FOR BID INFORMATION.

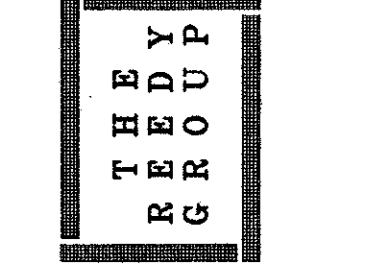


2 SECTION AT PAVEMENT
SCALE: 3/4" = 1'-0"

DFW Consulting Group, Inc.
8410 Sterling
Irving, TX 75063
(972) 929-1199



Structural Engineering
Architectural Engineering
8888 Northwest Plaza Drive
Suite 214
Dallas, Texas 75225
214-373-0164
214-373-0170 Fax
reedygrp@earthlink.net



Mary Kay, Inc.
Corporate 1
Addison, Texas
Cooling Tower Addition

Project Revisions

Project Number
02110

Issue Date

23 July 2003

Sheet Title
PARTIAL FLOOR PLAN

Sheet Number
S-08

