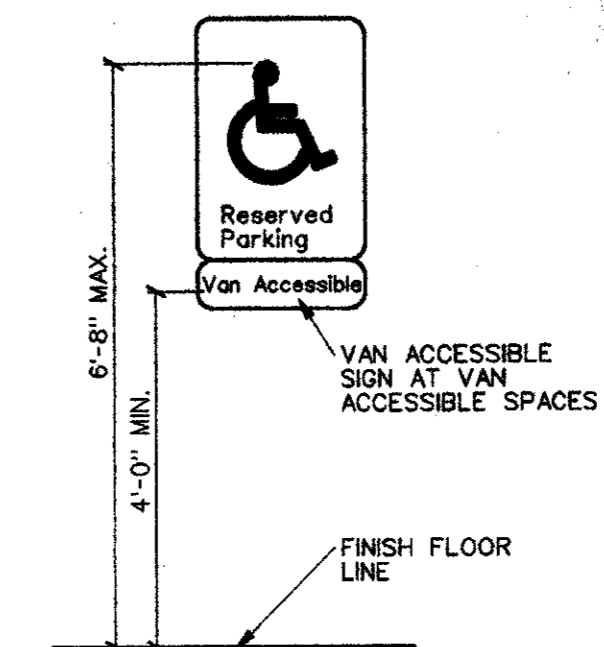
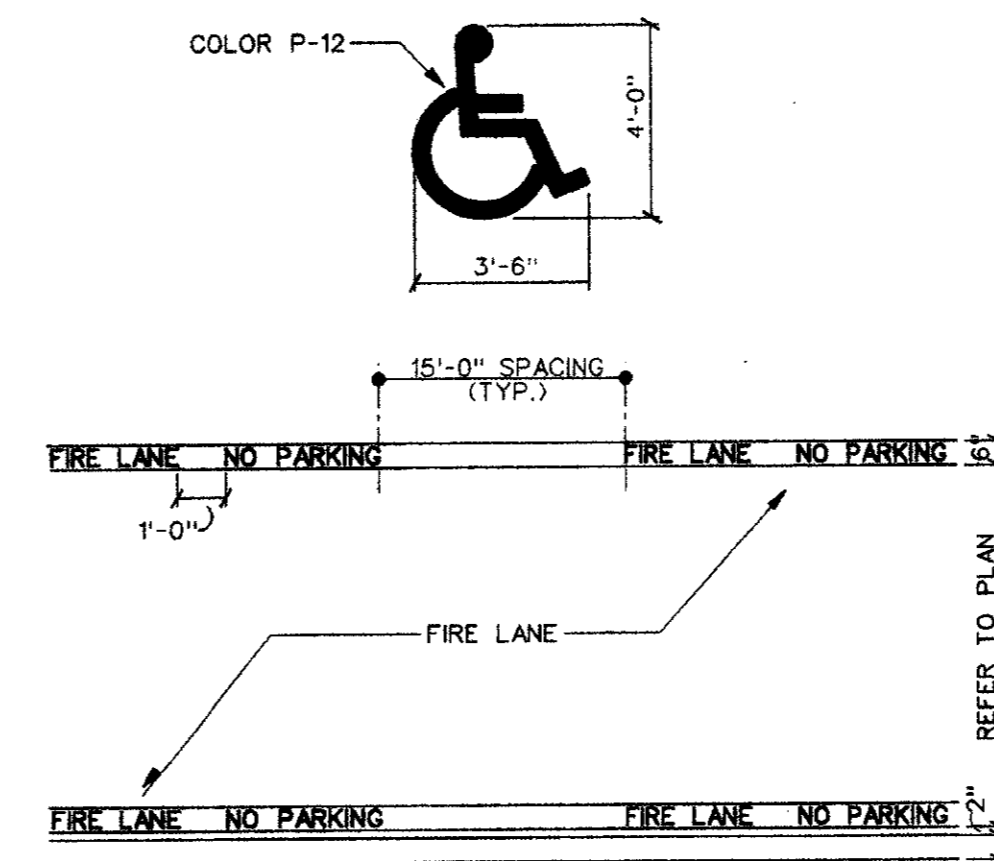


NOTES: 1. PRECAST CONCRETE SHALL BE NORMAL WEIGHT WITH MIN. 28-DAY COMPRESSIVE STRENGTH OF 4000 PSI
2. APPROVED STANDARD MANUFACTURED WHEEL STOP MAY BE USED

08 PRECAST CONCRETE WHEELSTOP SECTION
SCALE: 1/2" = 1'-0"



05 HANDICAP SIGNAGE
NO SCALE



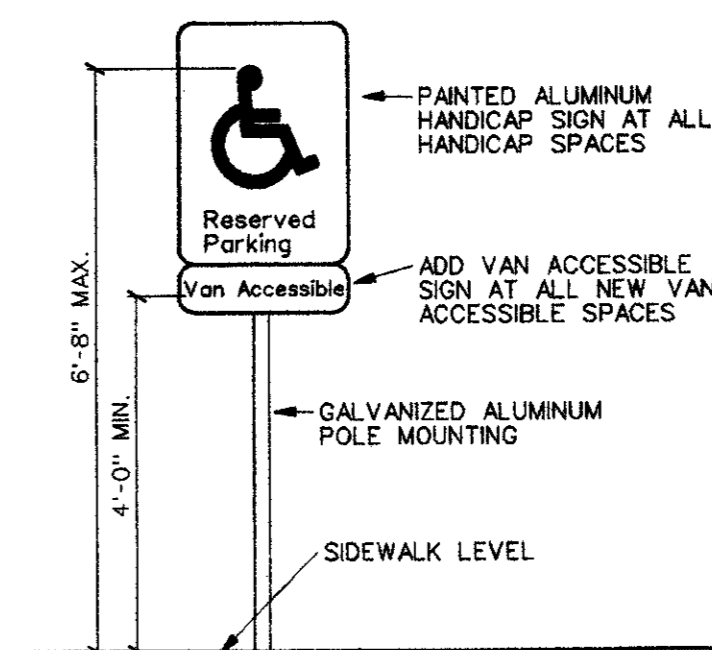
GENERAL NOTE:
A. STRIPING TO BE DONE IN ACCORDANCE WITH TOWN STANDARDS

STRIPING DETAIL:
A. PAINT

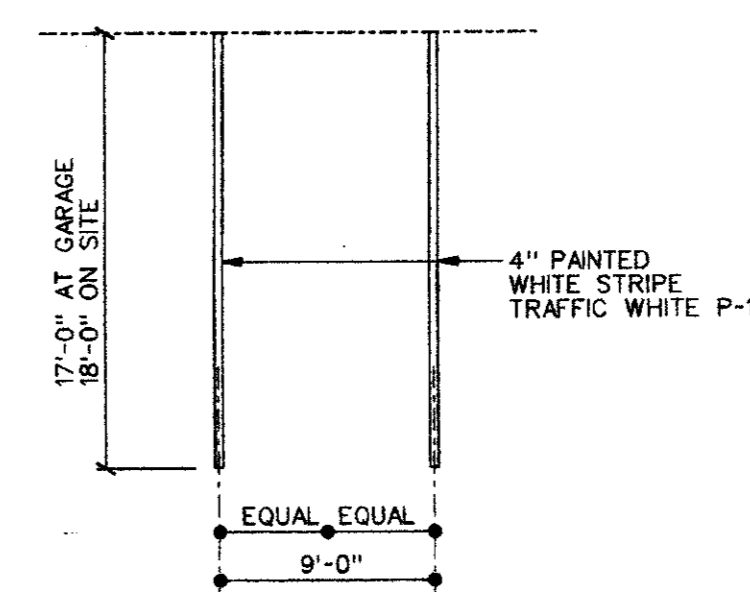
1. STRIPE SHALL BE SIX (6) INCHES WIDE PAINTED WITH AN EXTERIOR ACRYLIC LATEX PAINT
2. LETTERS SHALL BE FOUR (4) INCHES HIGH PAINTED WITH AN EXTERIOR LATEX PAINT

- A. COLOR SHALL BE TRAFFIC RED P-2
- B. COLOR SHALL BE TRAFFIC WHITE P-1

07 FIRE LANE PAVEMENT MARKINGS
SCALE: NOT TO SCALE

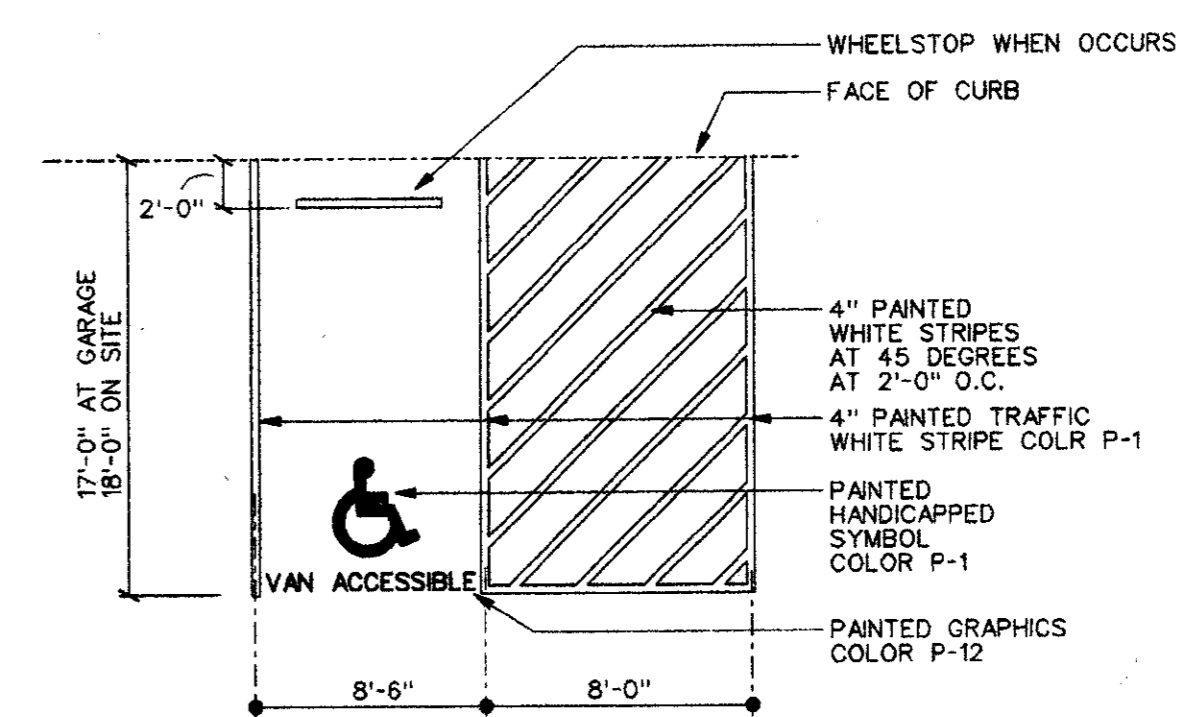


04 HANDICAP SIGNAGE
NO SCALE



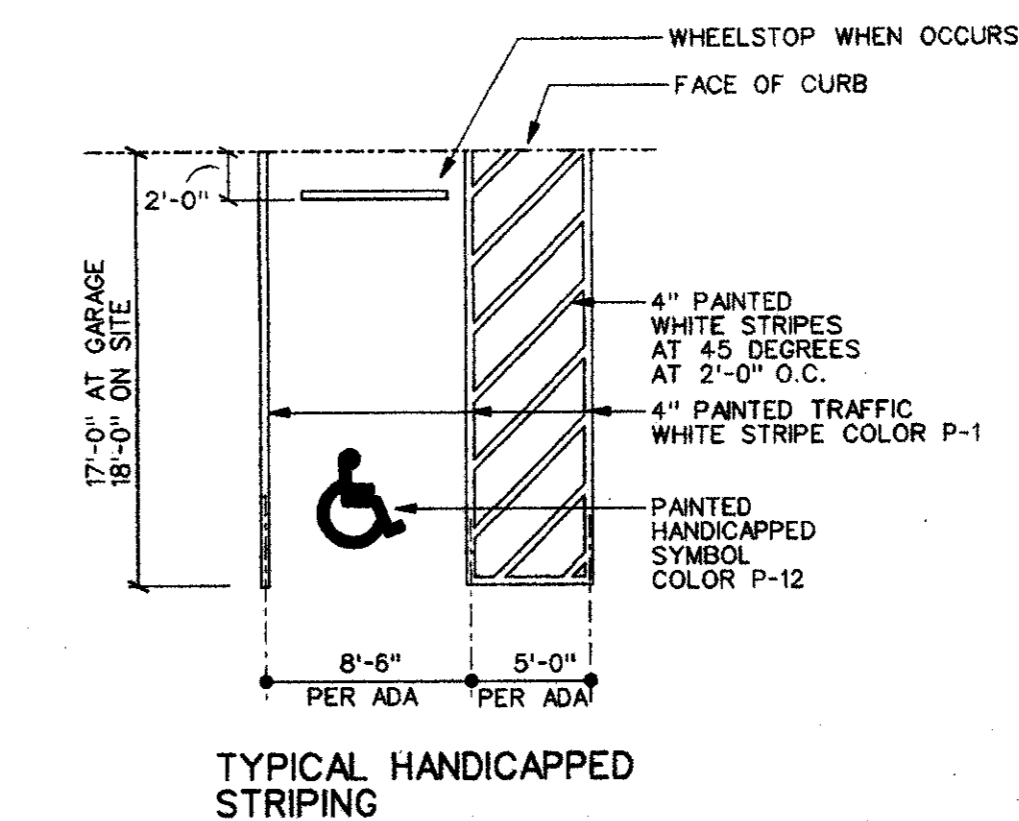
TYPICAL STRIPING

03 PARKING STRIPING
SCALE: NOT TO SCALE



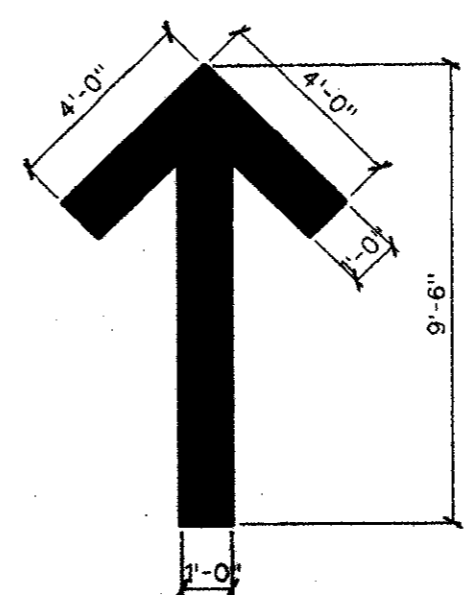
TYPICAL HANDICAPPED VAN STRIPING

02 PARKING LOT STRIPING
SCALE: NOT TO SCALE



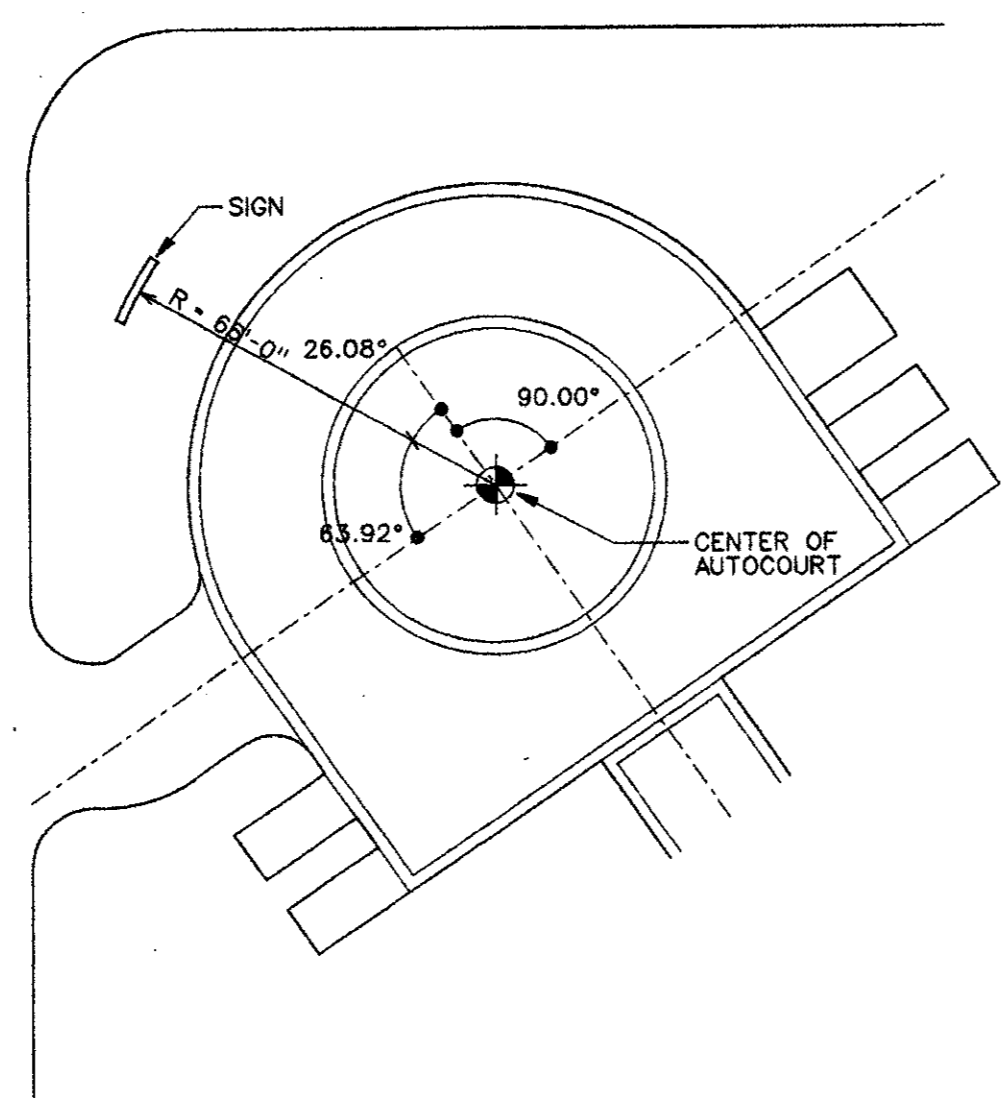
TYPICAL HANDICAPPED STRIPING

01 PARKING LOT STRIPING
SCALE: NOT TO SCALE

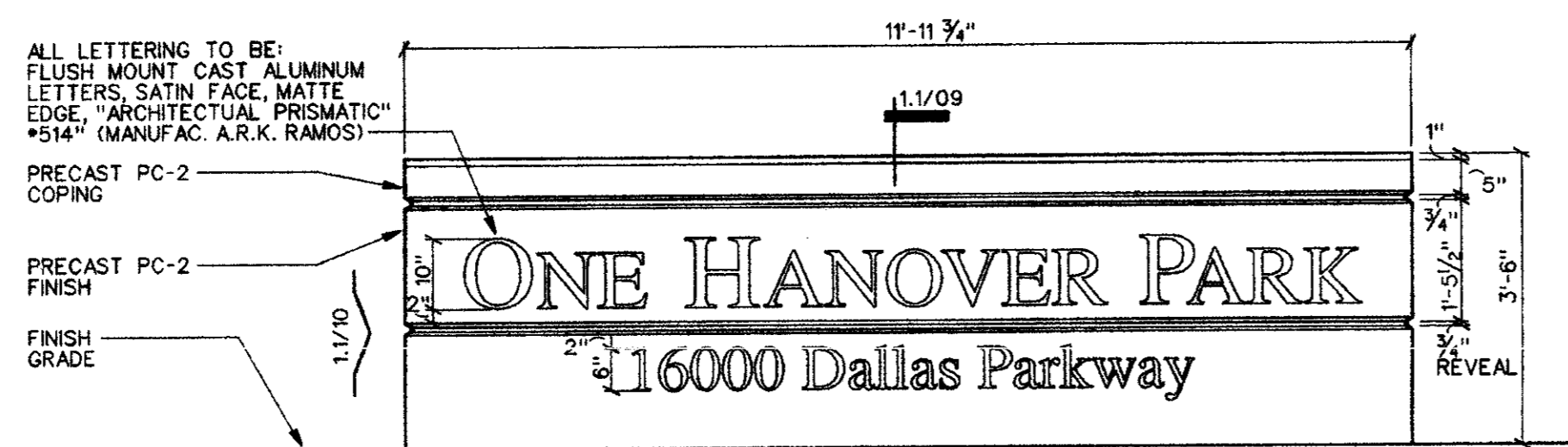


06 PAVEMENT MARKINGS
SCALE: NOT TO SCALE

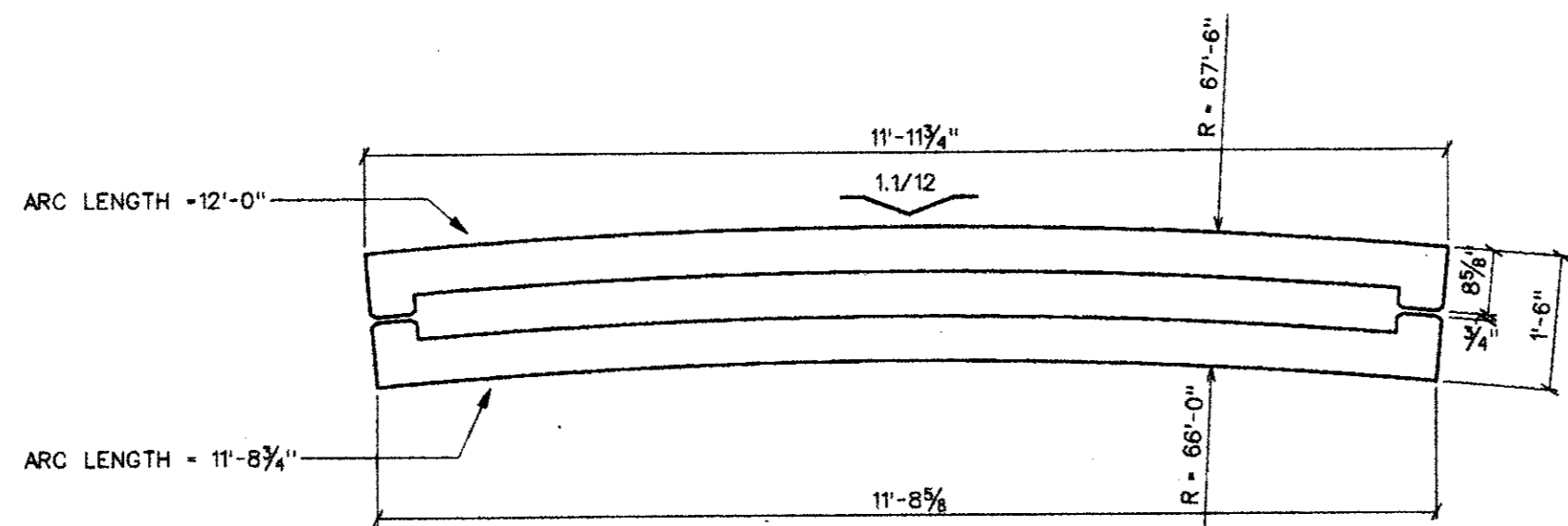
NOTE: PAVEMENT MARKINGS SHALL BE TRAFFIC WHITE PAINT COLOR P-1



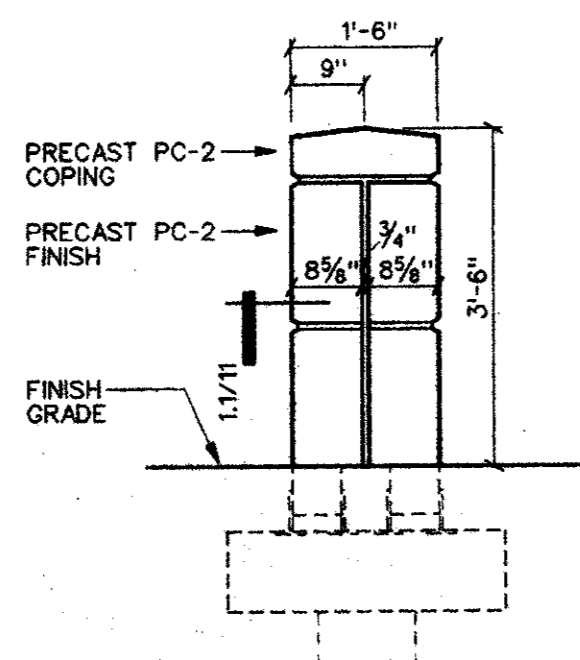
13 SIGN LOCATION
SCALE: NO SCALE



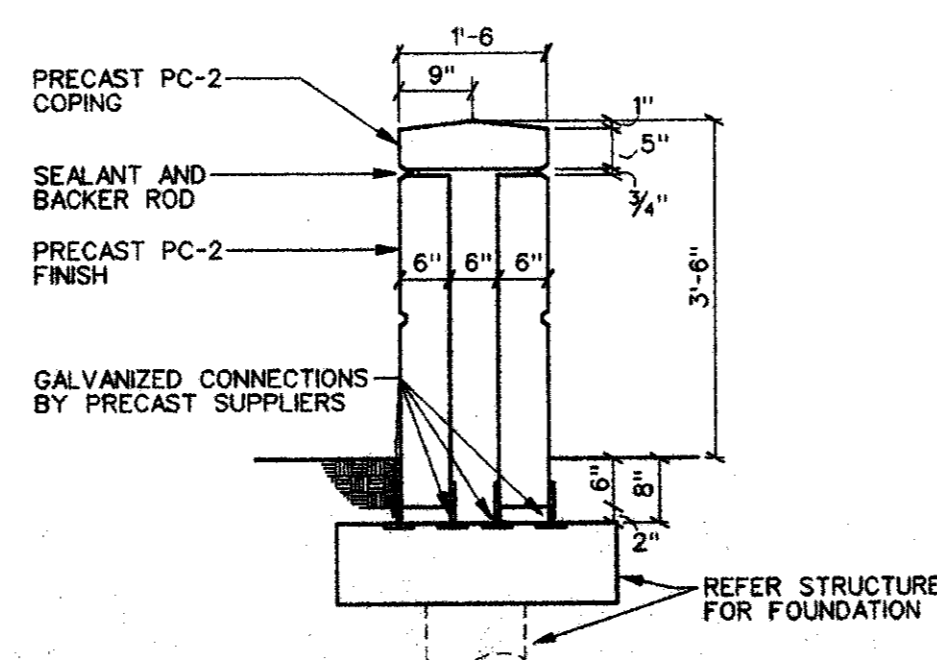
12 SIGN FRONT ELEVATION
SCALE: 1/2" = 1'-0"



11 SIGN PLAN
SCALE: 1/2" = 1'-0"



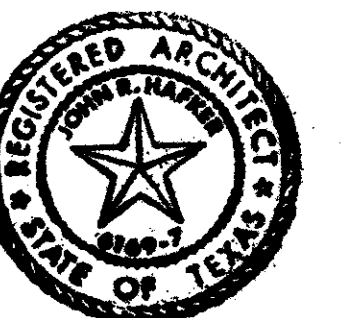
10 SIGN END ELEVATION
SCALE: 1/2" = 1'-0"



09 SIGN SECTION
SCALE: 1/2" = 1'-0"

OMNIPLAN

CITYPLACE CENTER EAST • DALLAS, TX 75204
COPYRIGHT © ALL RIGHTS RESERVED • 1997



ONE HANOVER PARK
OFFICE BUILDING
ADDISON, TEXAS

INTERVEST COMPANIES
DEVELOPER
WILCOX DEVELOPMENT
SERVICES, INC.
PROJECT MANAGER

PARKING AND
SITE DETAILS
9716.00

10/14/97