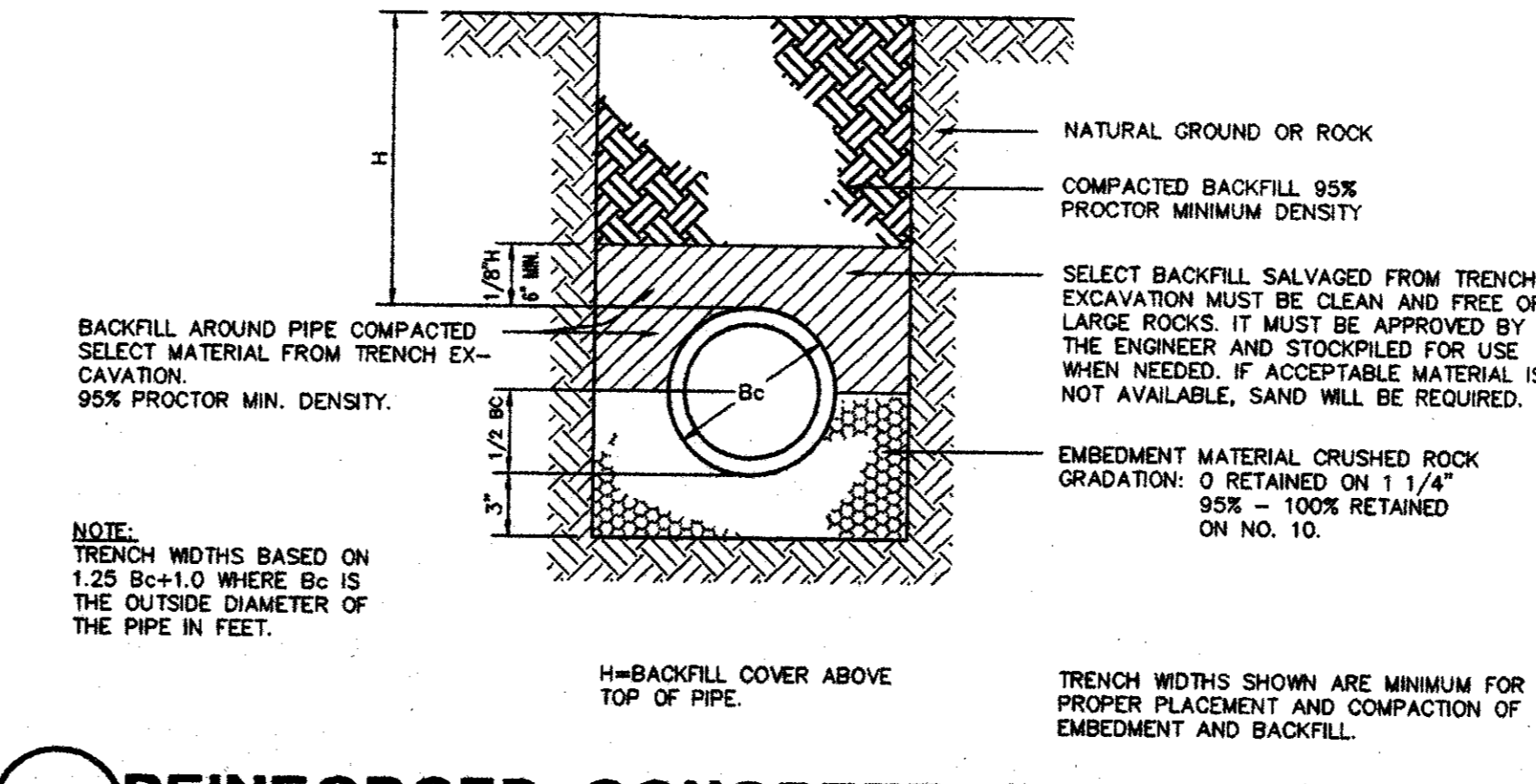
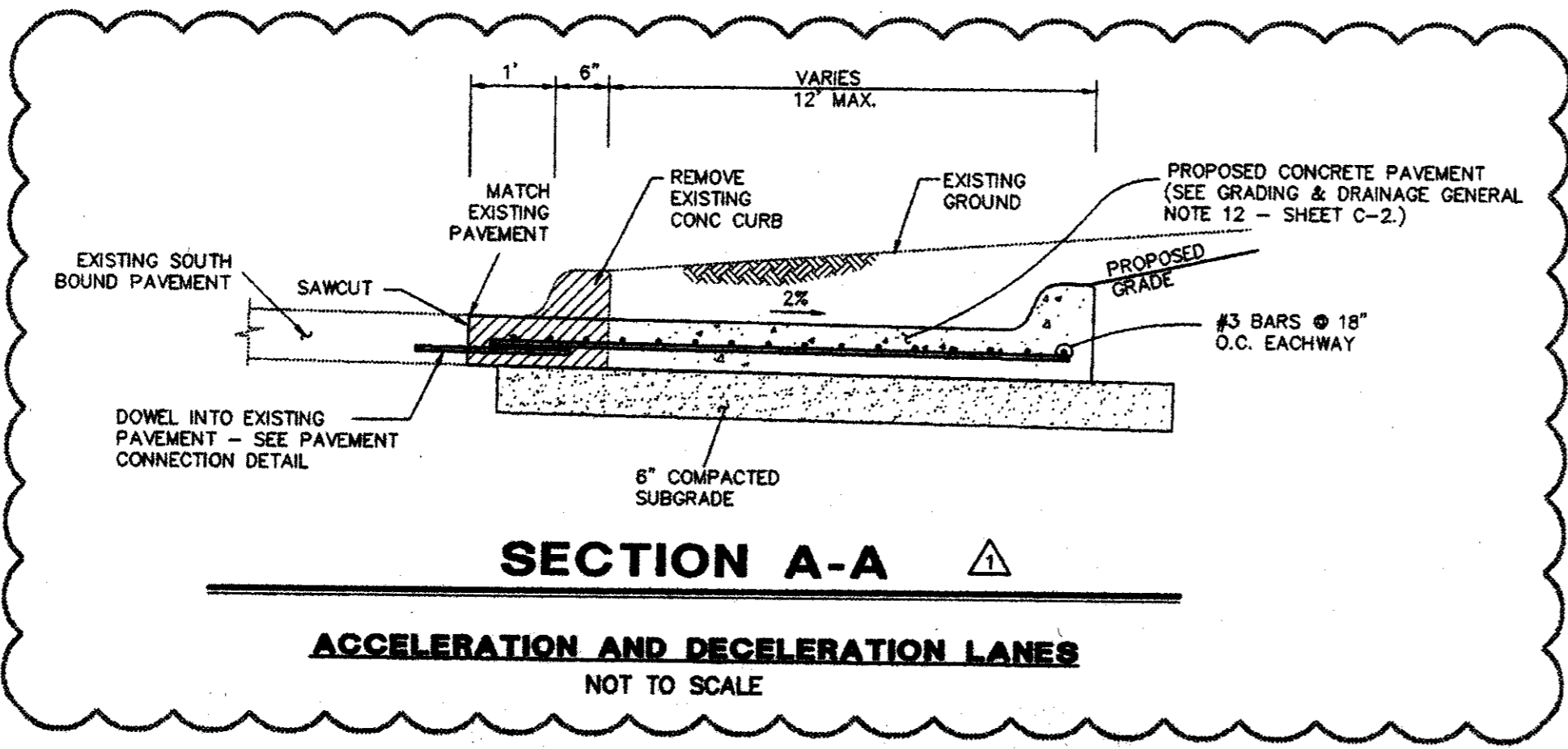
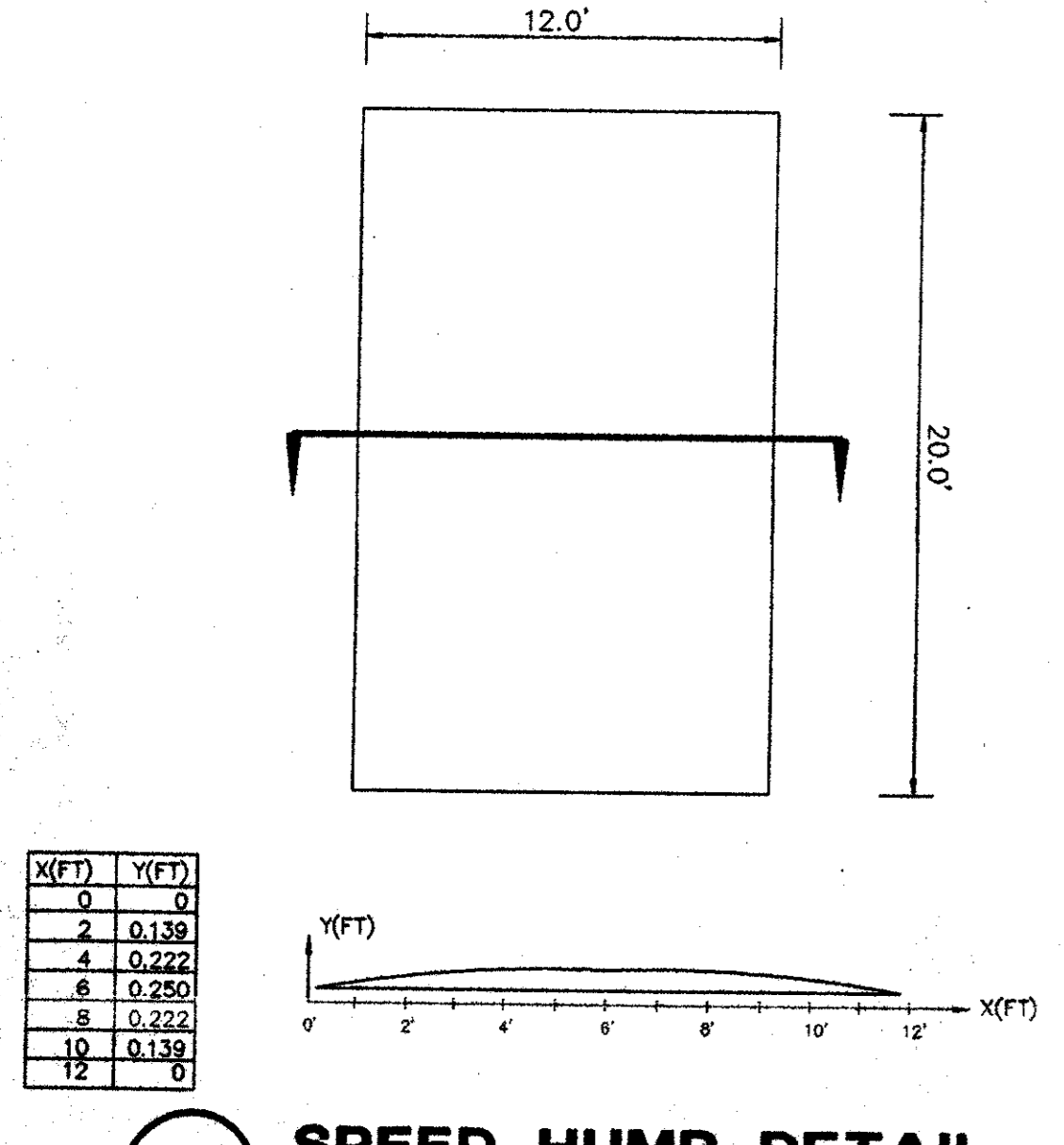
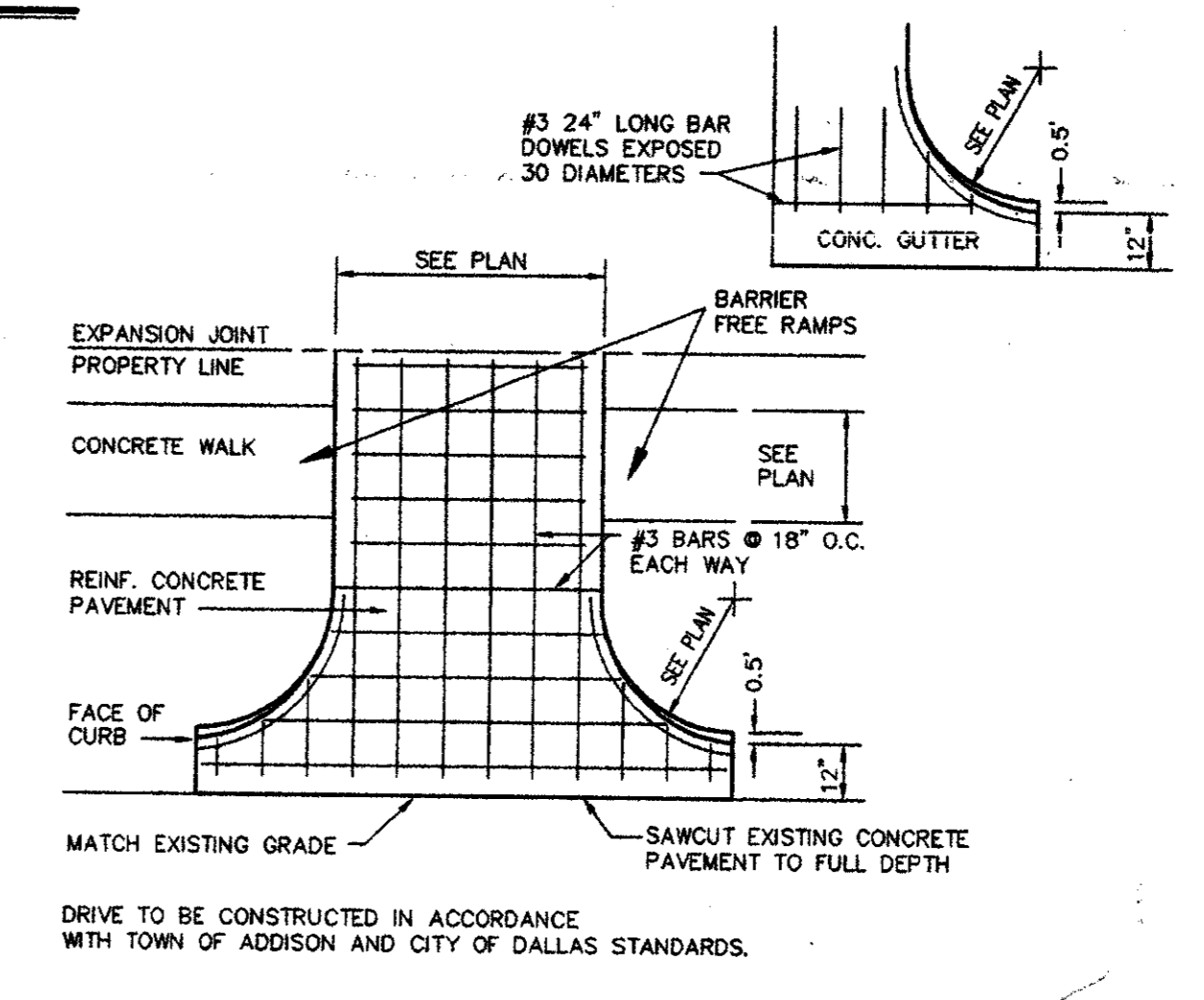
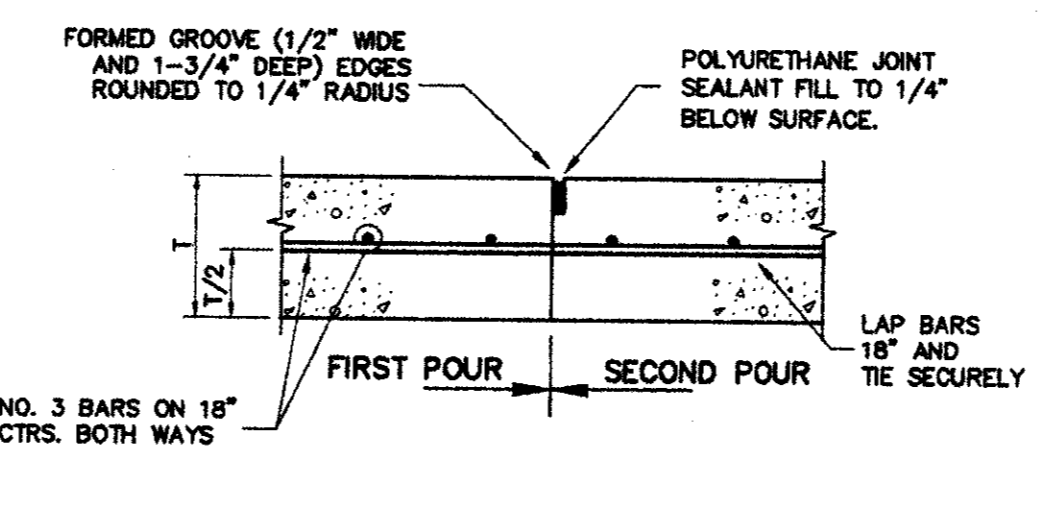
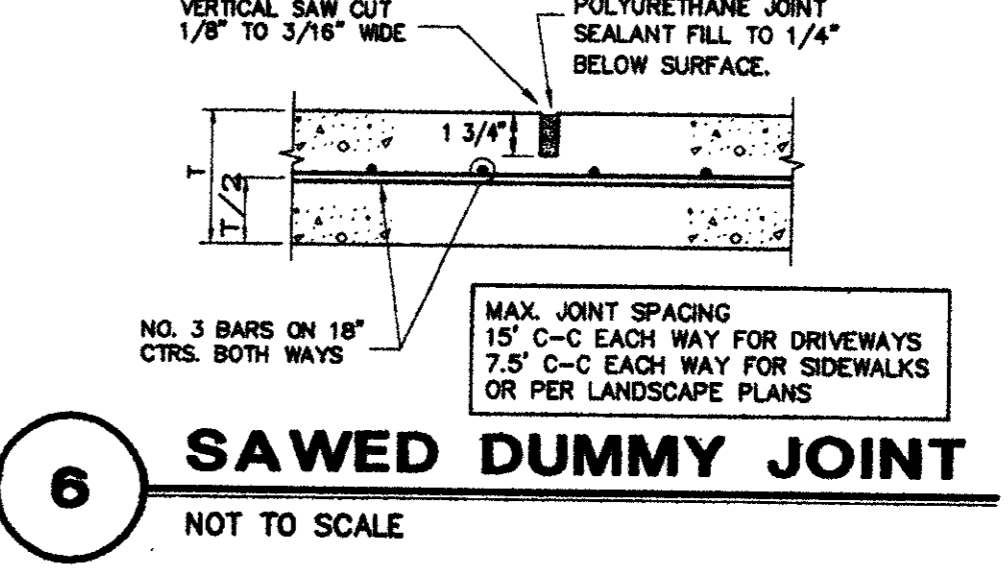
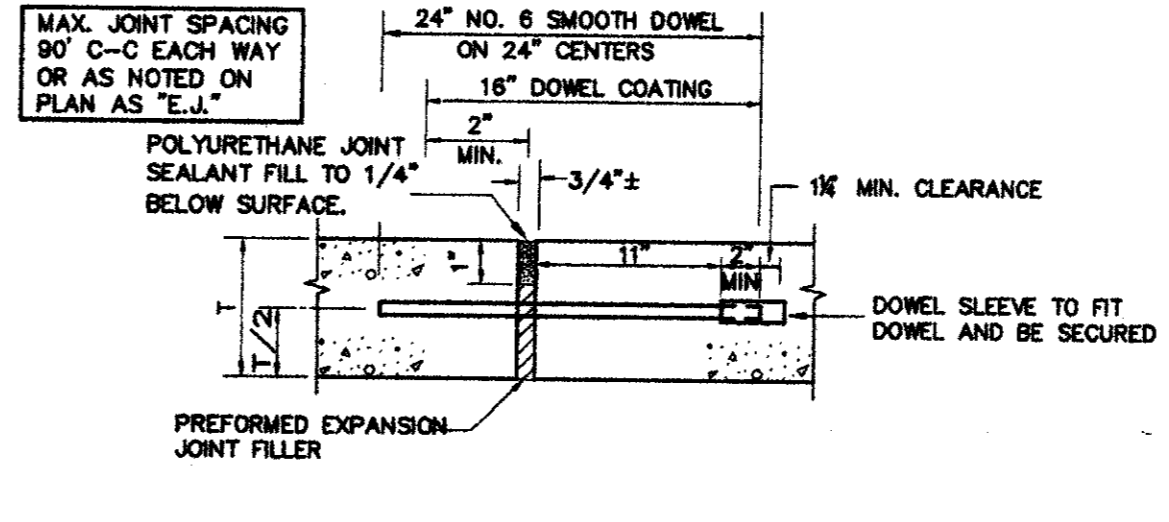
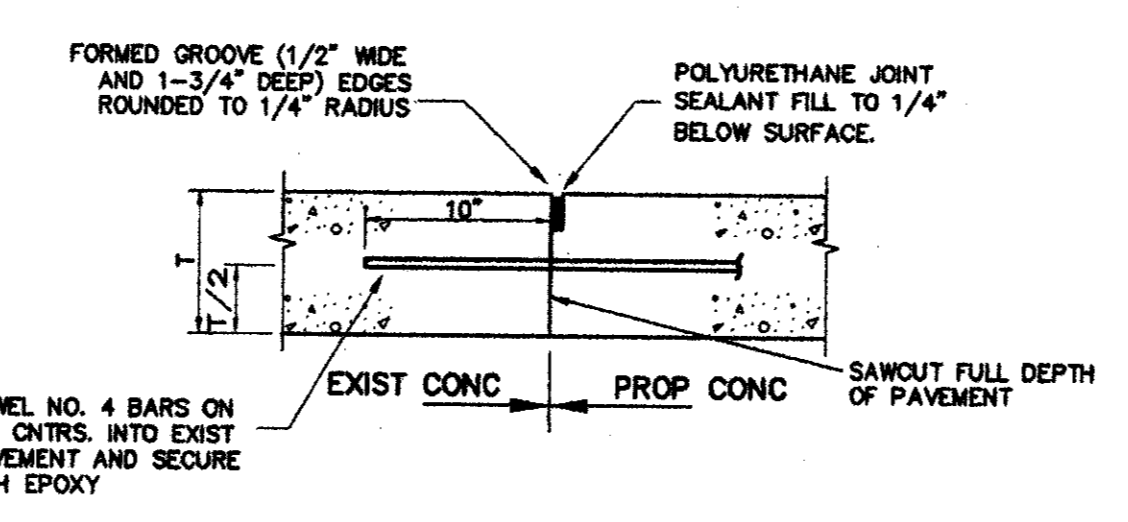
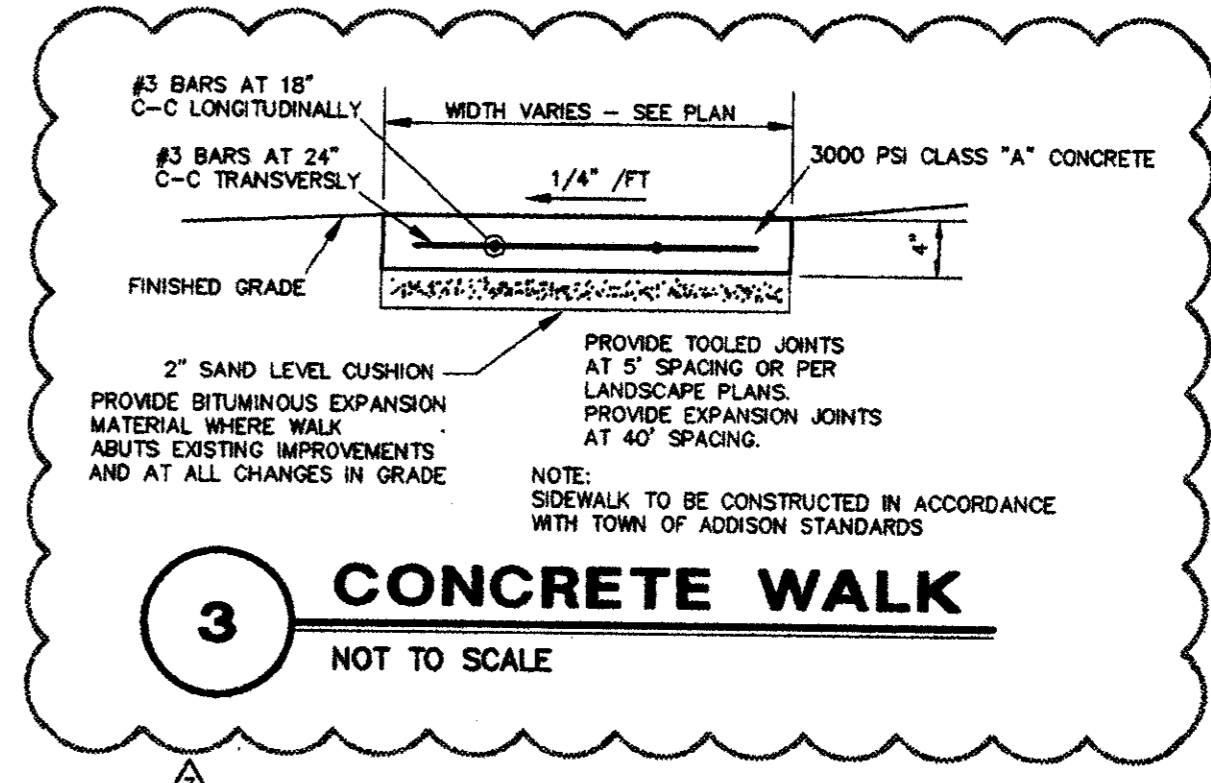
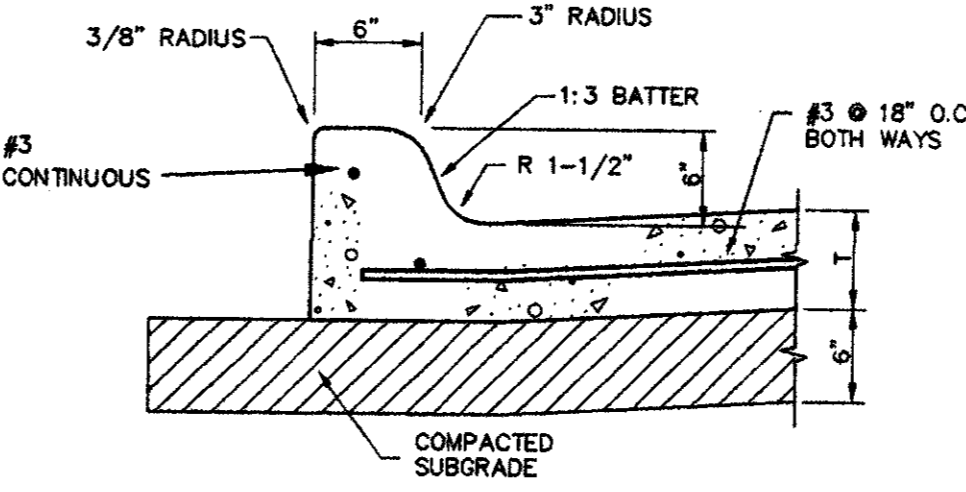
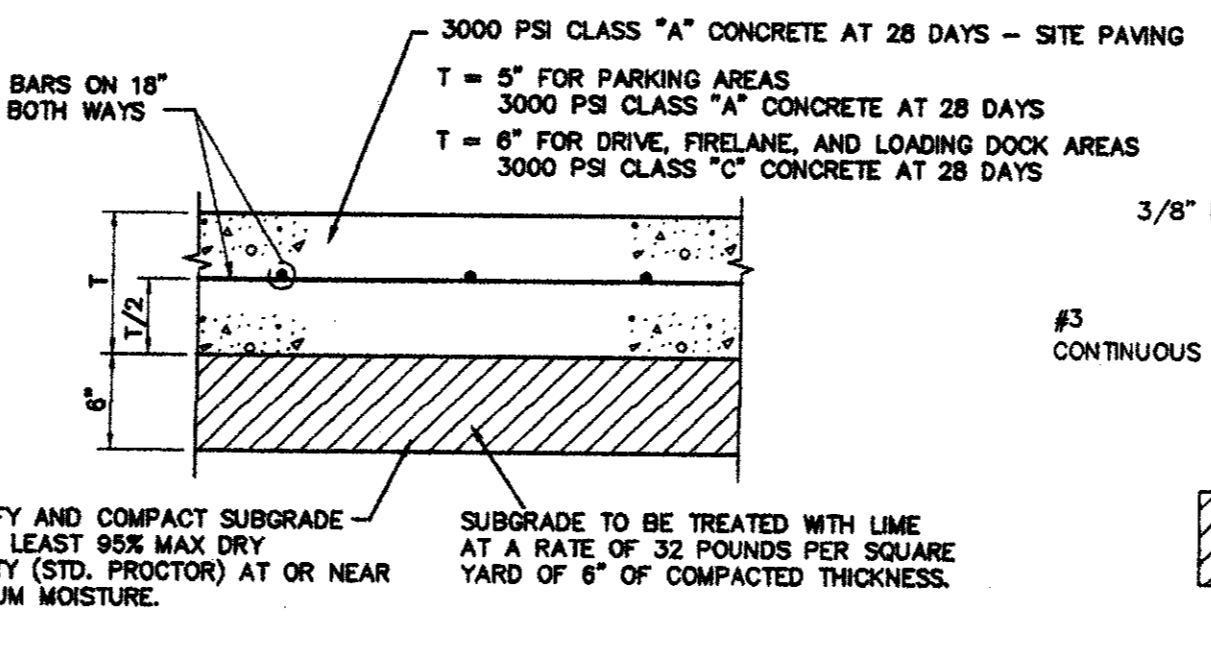
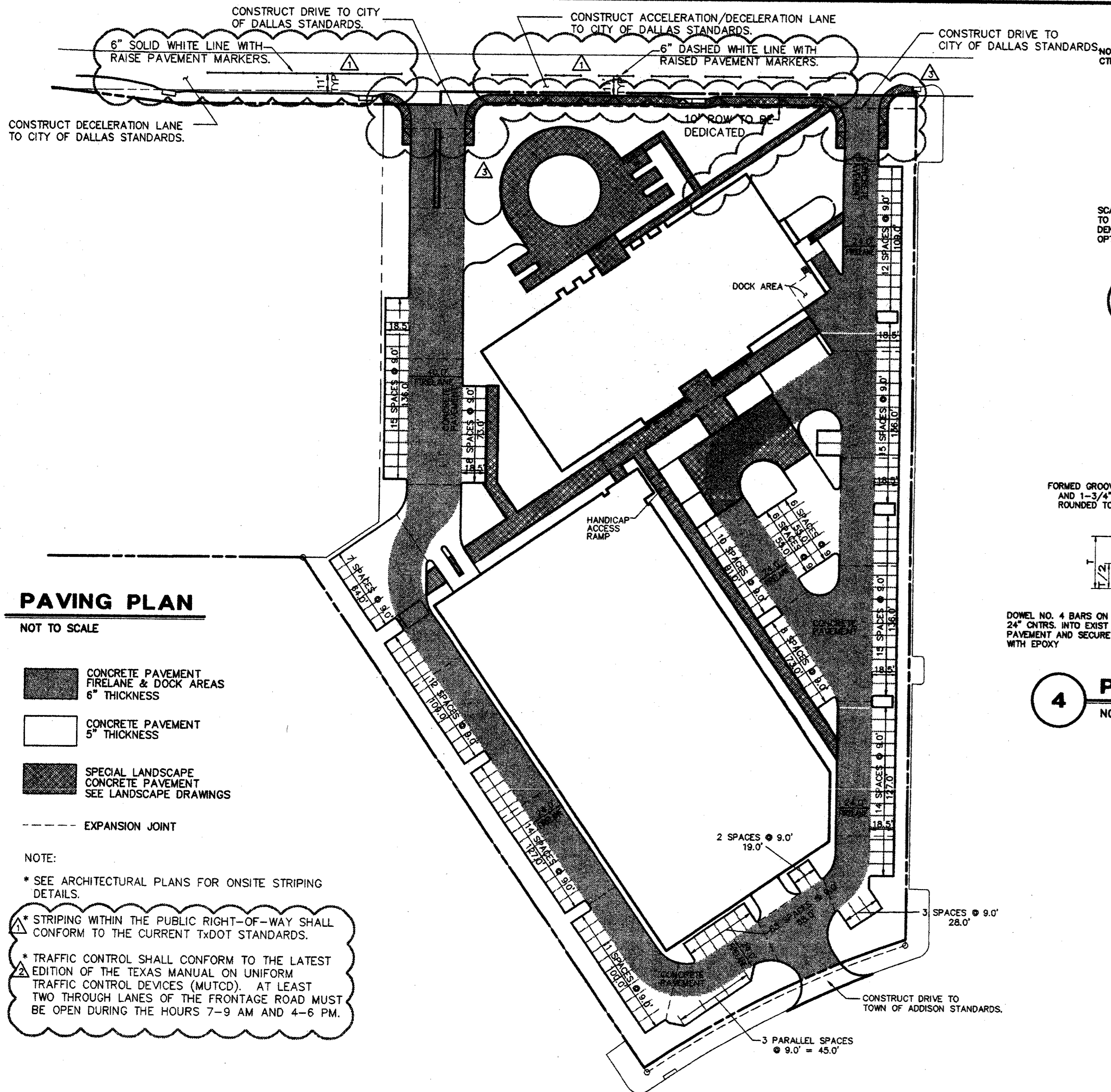
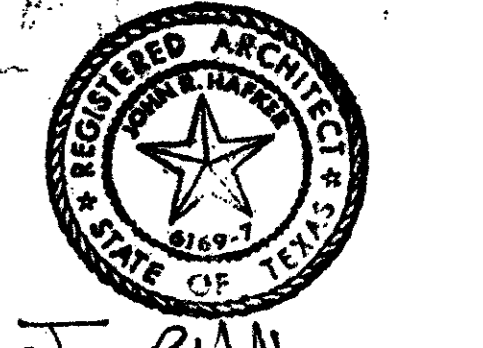


REVISION-10/22/97
 REVISION-11/4/97
 REVISION 3/02/98 - PR-17



This seal indicates only that I have reviewed the consultant's work and coordinated it with the overall project.



OMNIPLAN
 CITYPLACE CENTER EAST - DALLAS, TX 75204
 COPYRIGHT © ALL RIGHTS RESERVED - 1997

ONE HANOVER PARK OFFICE BUILDING ADDISON, TEXAS

INTERVEST COMPANIES DEVELOPER
 WILCOX DEVELOPMENT SERVICES, INC. PROJECT MANAGER

PAVING PLAN & DETAILS 9716.00

10.14.97

THE SEAL APPEARING ON THIS DOCUMENT WAS AUTHORIZED BY STEVEN A. MARKUSSEN P.E. 70090 ON 10/14/97. ALTERATION OF A SEALED DOCUMENT WITHOUT PROPER NOTIFICATION TO THE RESPONSIBLE ENGINEER IS AN OFFENSE UNDER THE TEXAS ENGINEERING PRACTICE ACT.

REVISION-ADDED SIDEWALK 3/02/98
 REVISION-TRAFFIC CONTROL NOTE 11/4/97
 REVISION-STRIPING & TYPICAL SECTION 10/22/97

C-4

PACHICO KOCH Consulting Engineers, Inc. 9401 LBJ Freeway, Suite 300 Dallas, Texas 75243
 Civil Engineering • Land Surveying (972) 236-3031

PAVING PLAN & DETAILS
ONE HANOVER PARK
N. DALLAS TOLLWAY AT EXCEL PARKWAY
DALLAS COUNTY
TOWN OF ADDISON, TEXAS

DESIGN	DRAWN	DATE	SCALE	NOTES	FILE	NO.
SAM	TDH	9/29/97				311T 6213

PK NO: 1767-97.179 DWG NO: 1767-14

104.0