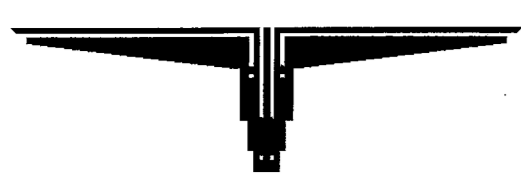


U:\dwg\2012\1220 - Greenbank Dallas North Tollway\Sheets\100 - Site\112 SITE PAVING DETAILS.dwg Mar 01, 2013 03:42pm AWS-112-HC

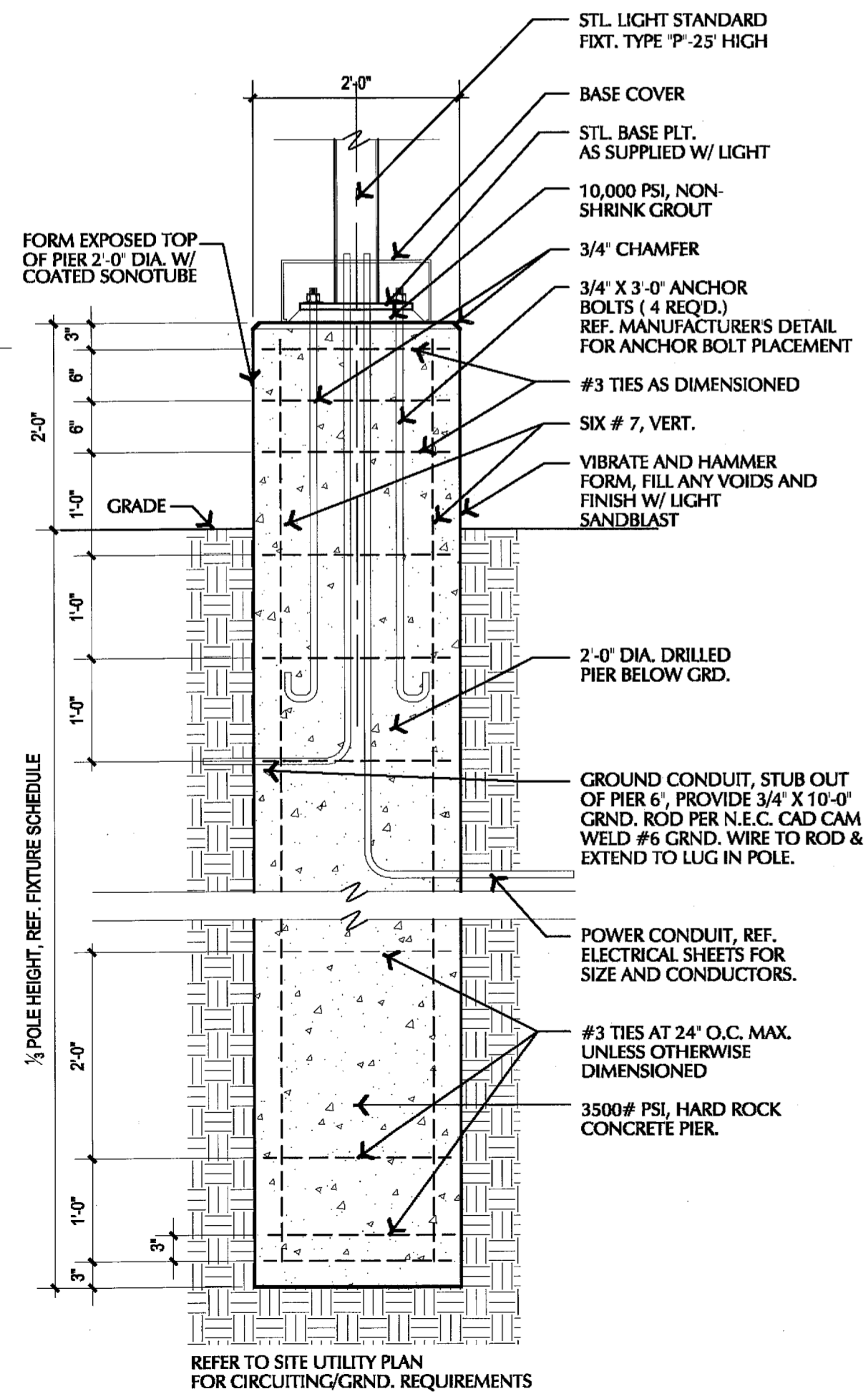


11 OPEN
SCALE:

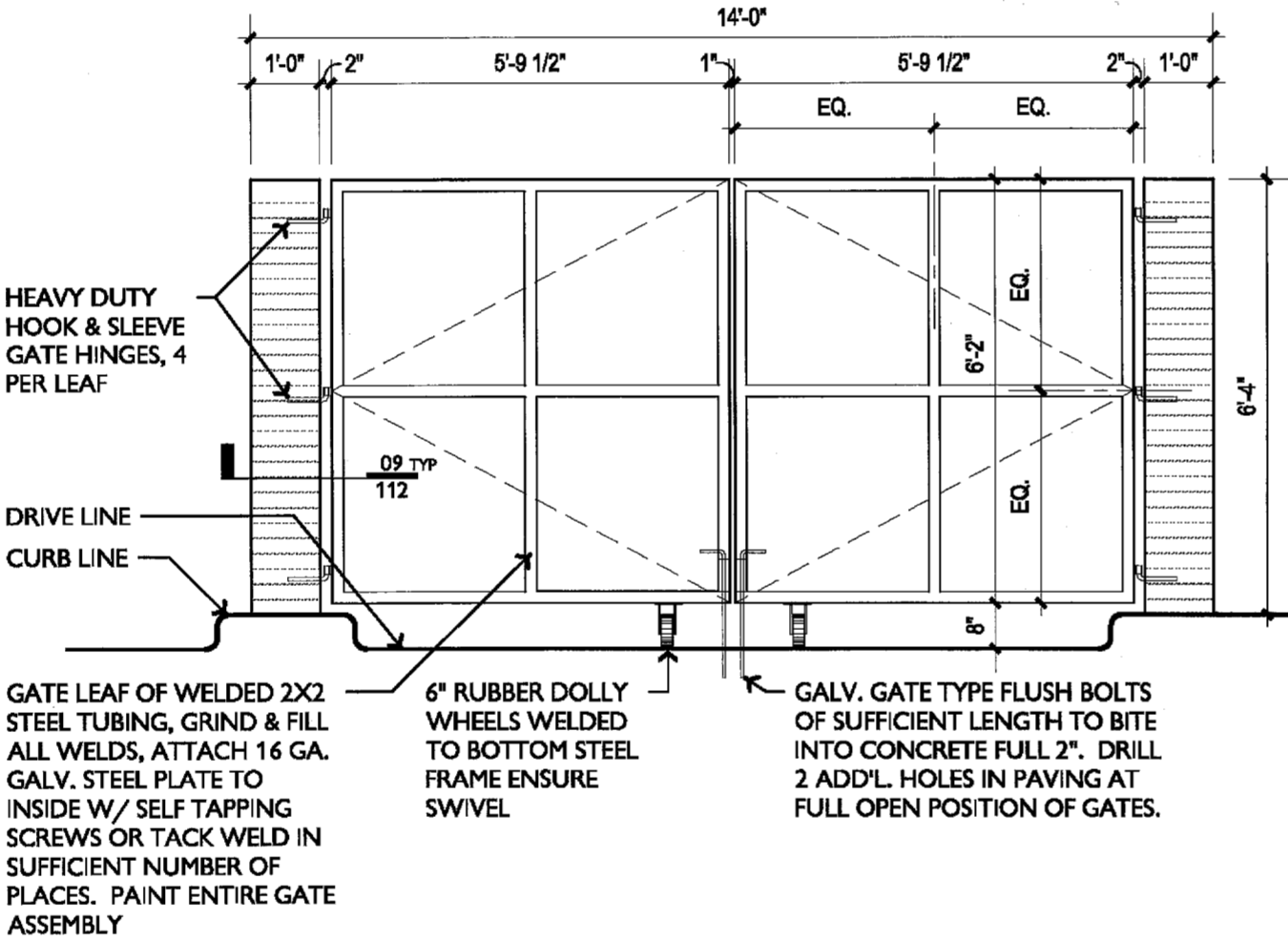
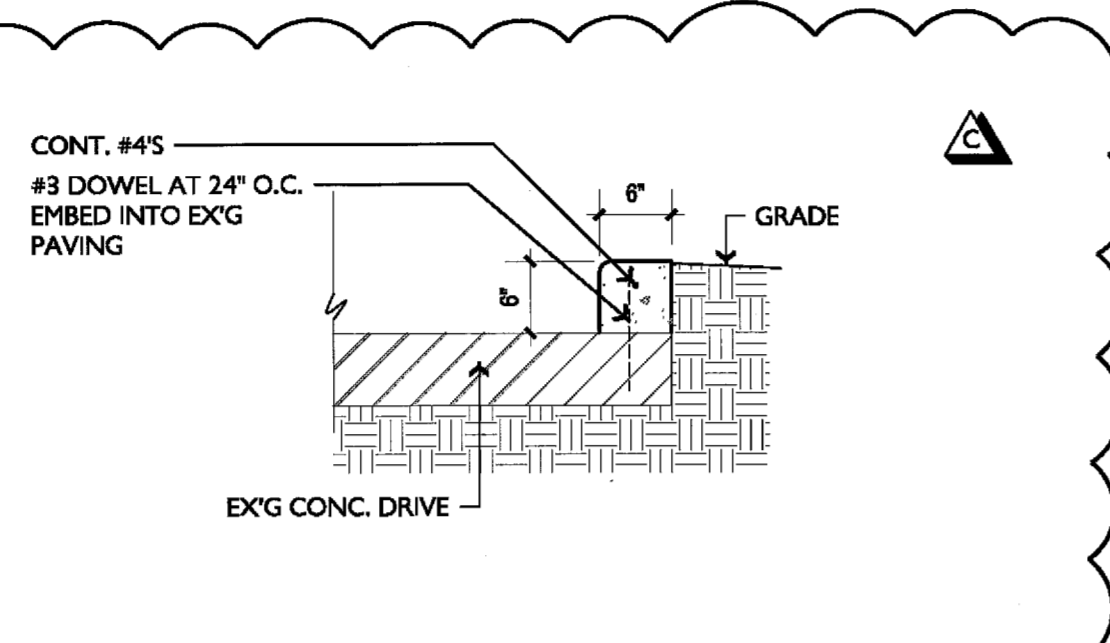
10 CURB DETAIL AT EX'G DRIVE
SCALE: 3/4" = 1'-0"

09 GATE DETAIL
SCALE: 1 1/2" = 1'-0"

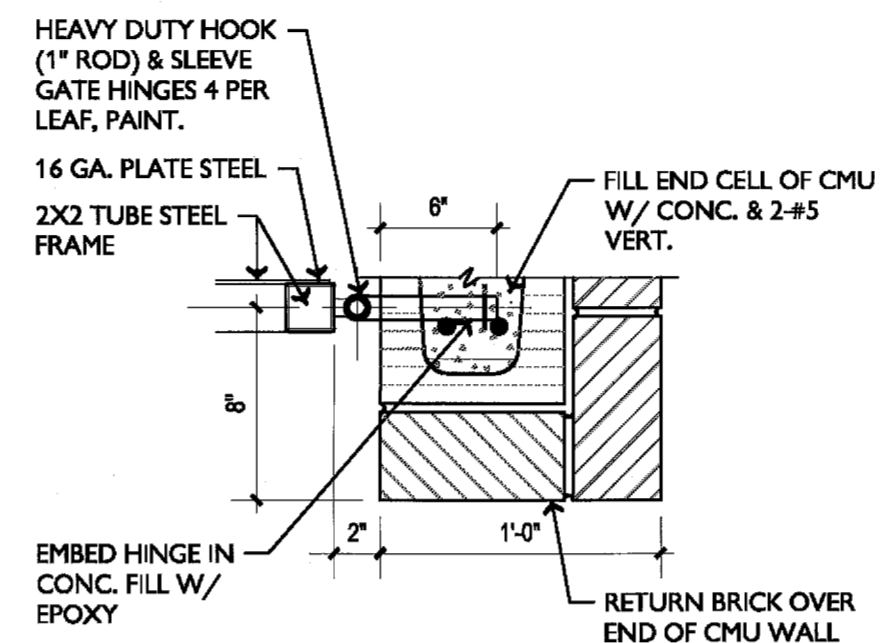
08 SECTION
SCALE: 3/4" = 1'-0"



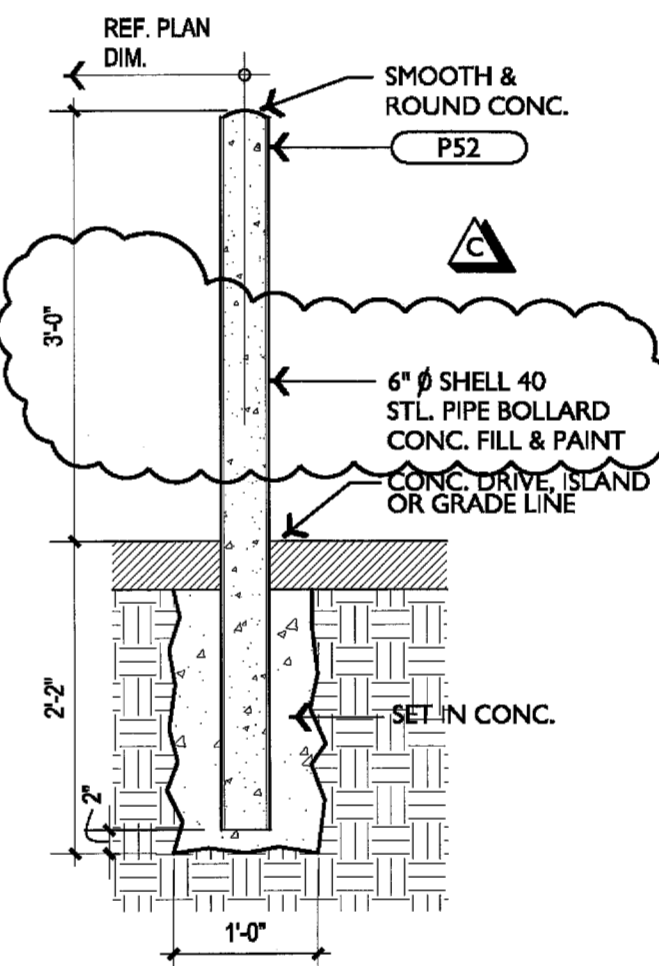
04 LIGHT POLE DETAIL
SCALE: 3/4" = 1'-0"



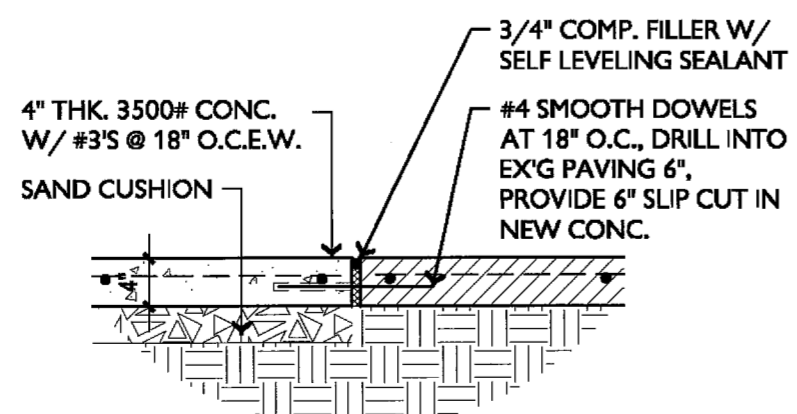
07 ELEVATION
SCALE: 3/8" = 1'-0"



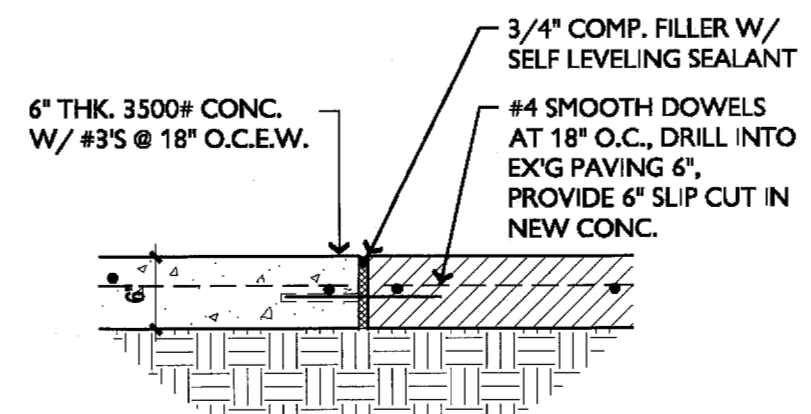
06 LARGE SCALE DUMPSTER ENCLOSURE
SCALE: 1/4" = 1'-0"



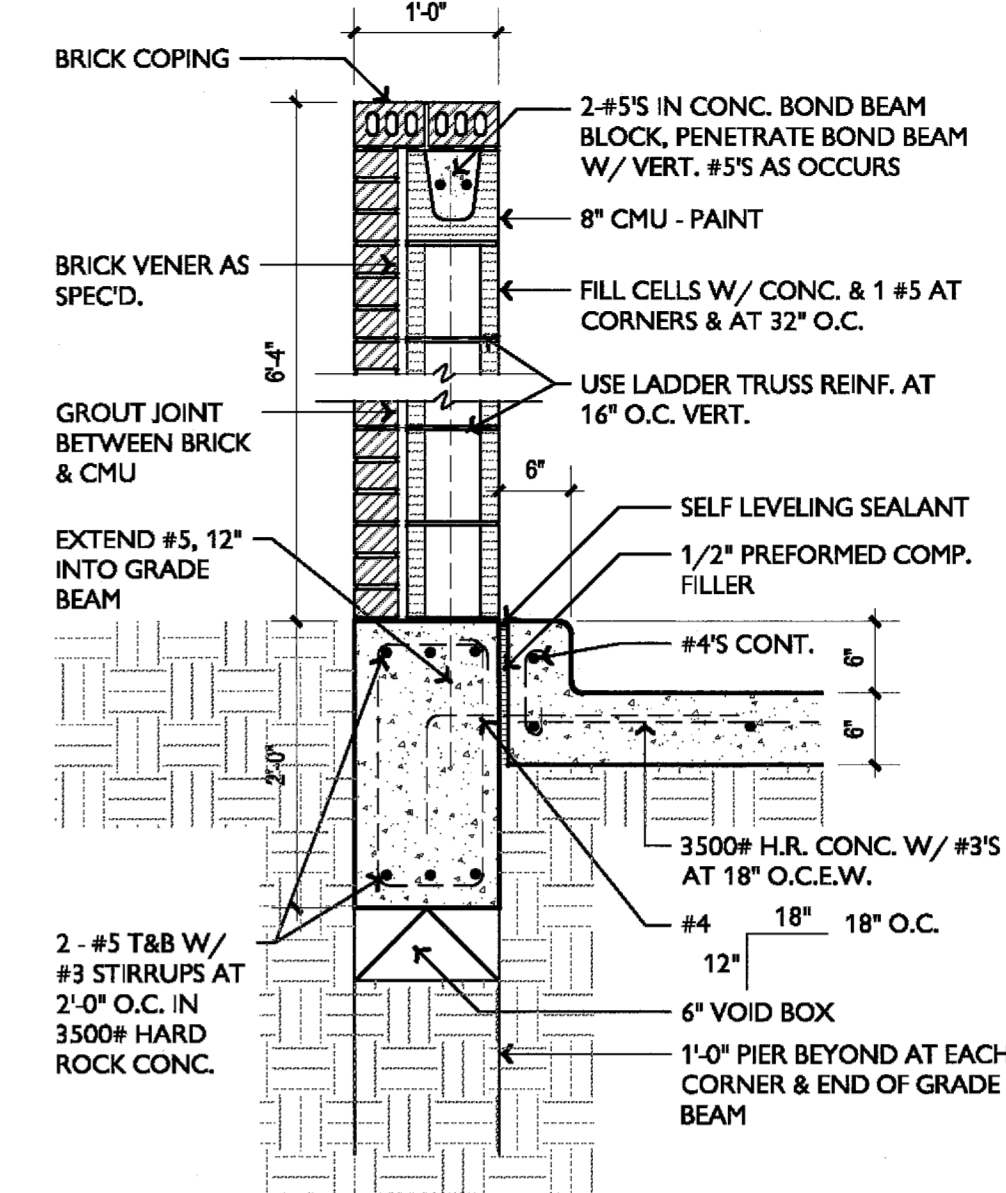
05 BOLLARD DETAIL
SCALE: 3/4" = 1'-0"



03 EXPANSION JOINT AT SIDEWALK
SCALE: 3/4" = 1'-0"



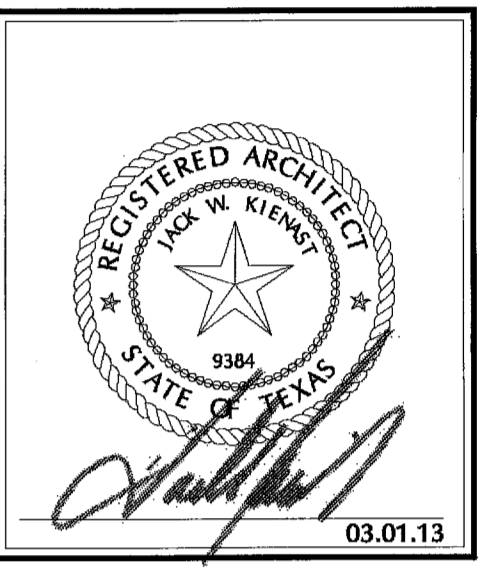
02 EXPANSION JOINT AT DRIVE
SCALE: 3/4" = 1'-0"



01 SIDEWALK DETAIL AT EDGE
SCALE: 3/4" = 1'-0"



ARCHITECTURE &
 INTERIOR DESIGN
 13601 PRESTON RD, SUITE 107W
 DALLAS, TX 75240
 P: 972.233.3526
 F: 972.233.3525
 Email: aks@aksns.com
 Web: www.aksns.com



REVISIONS	REVISIONS PER CITY COMMENTS	03.01.13

DATE: 01.28.13
 PROJECT NO: 1220
 ISSUED FOR: PERMIT, PRICING & CONSTRUCTION
All drawings & written materials appearing herein constitute original unpublished work, & may not be duplicated, used or disclosed without written consent of ALEXANDER + KIENAST + SCHNITZ, LLC.

GREEN BANK
 BANK SUSTAINABLY
 Dallas North Tollway Branch
 16771 Dallas Parkway
 Addison, TX 75001

SITE PAVING/
 DUMPSTER
 ENCLOSURE DETAILS