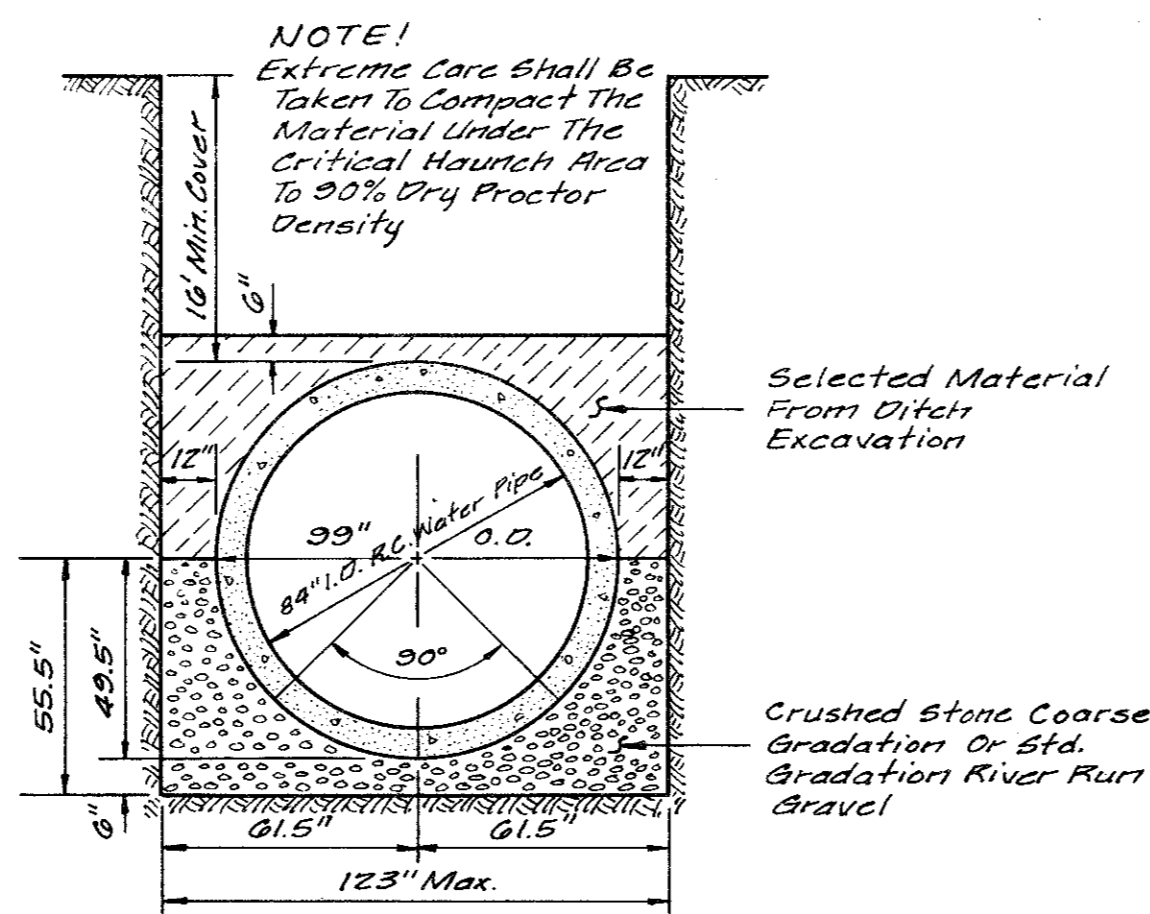


Special Embedment For 84" R.C. Water Pipe

With 16' Or Less Of Cover Over Pipe

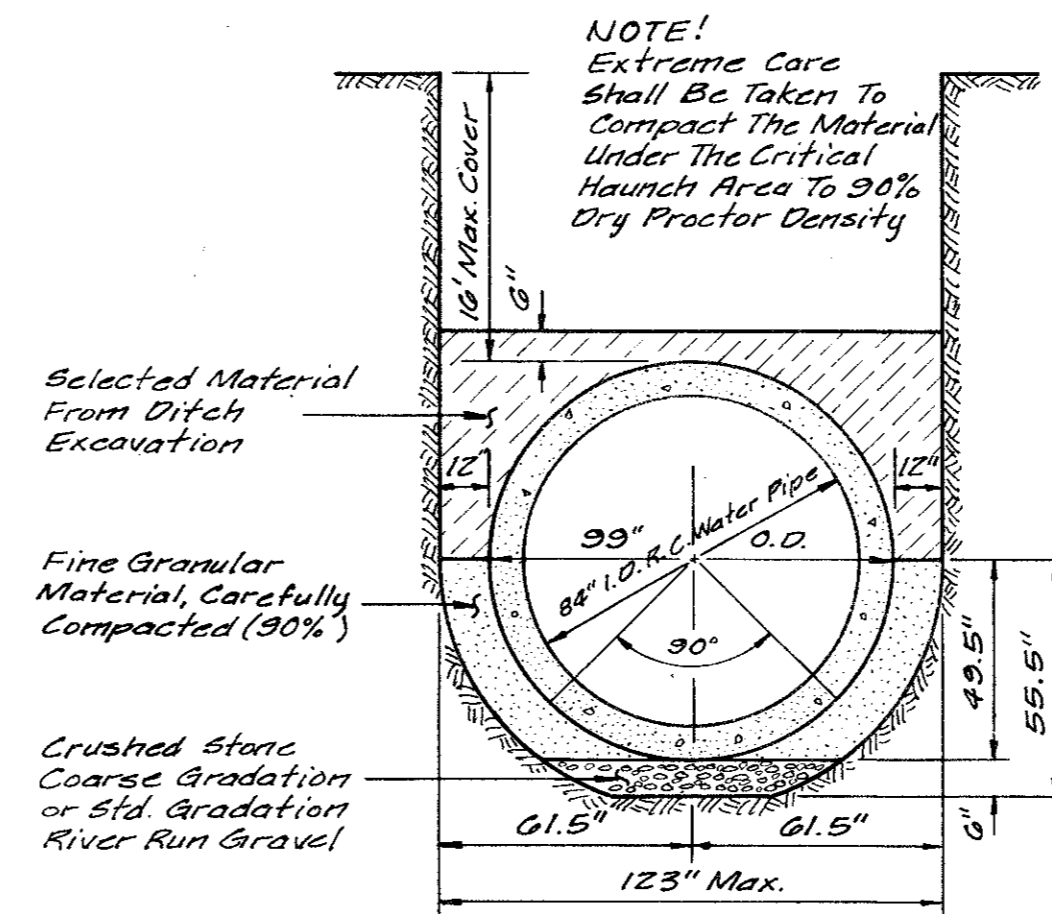
For 123" Ditch Embedment Quantities:
19.0 C.Y. Of Crushed Stone, Coarse Gradation,
Or Std. Gradation River Run Gravel Per 100 Ft.
57.0 C.Y. Of Granular Material Per 100 Ft.



Special Embedment For 84" R.C. Water Pipe

With 16' Or More Of Cover Over Pipe

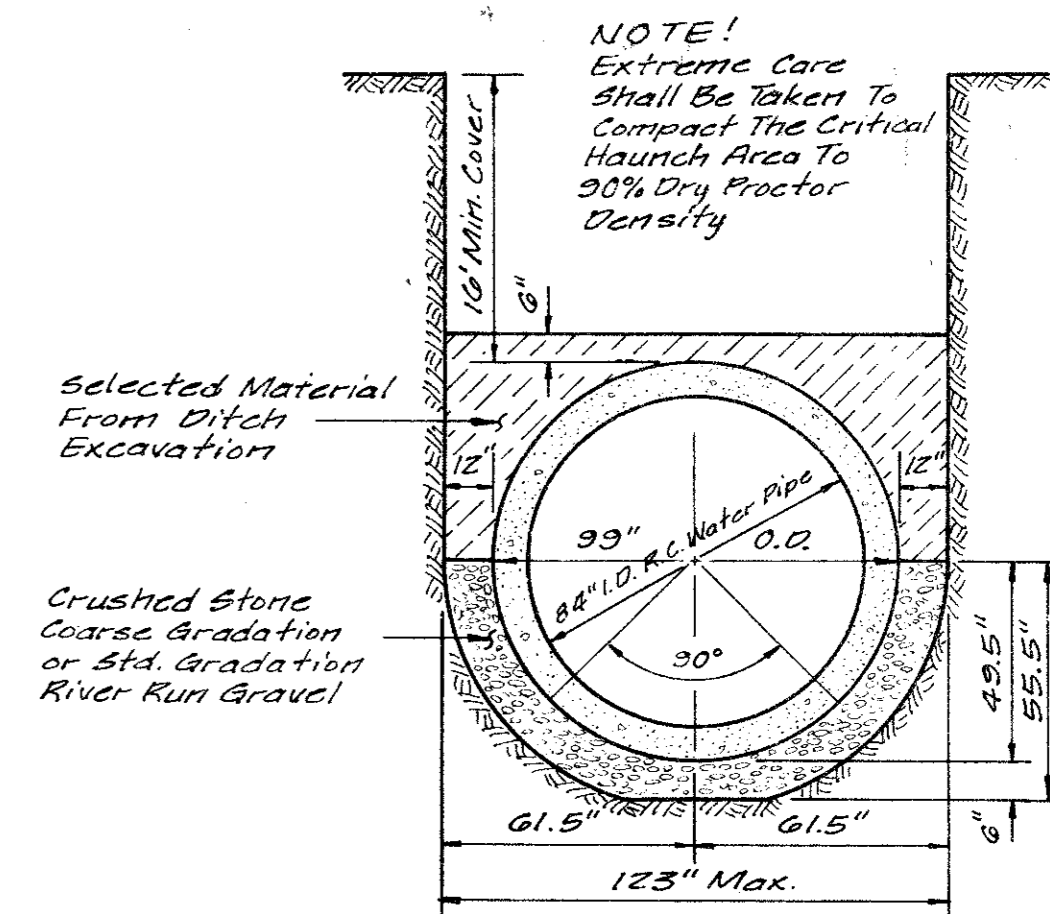
For 123" Ditch Embedment Quantities:
70.0 C.Y. Of Crushed Stone, Coarse Gradation,
Or Std. Gradation River Run Gravel Per 100 Ft.



**Alternate:
Special Embedment For 84" R.C. Water Pipe**

With 16' Or Less Of Cover Over Pipe

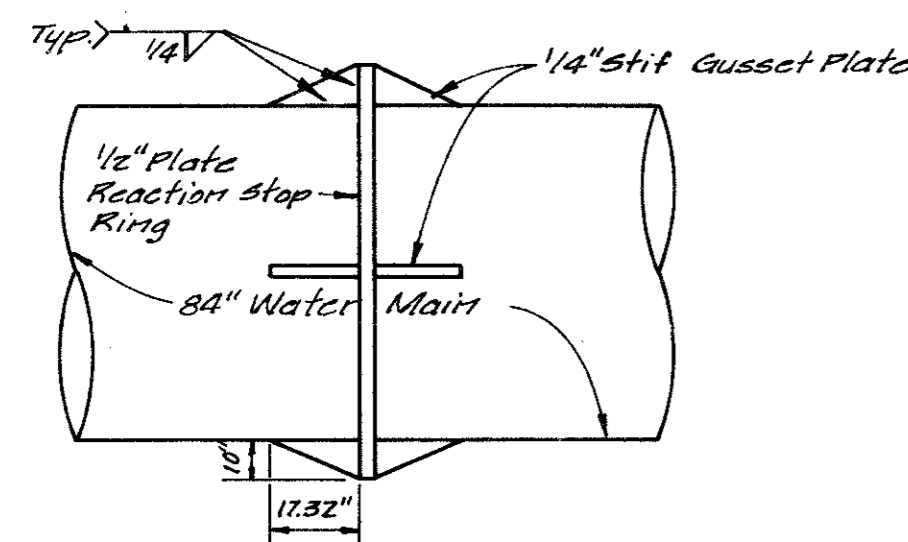
For 123" Ditch Embedment Quantities:
9.8 C.Y. Of Crushed Stone, Coarse Gradation,
Or Std. Gradation River Run Gravel Per 100 Ft.
38.5 C.Y. Of Granular Material Per 100 Ft.



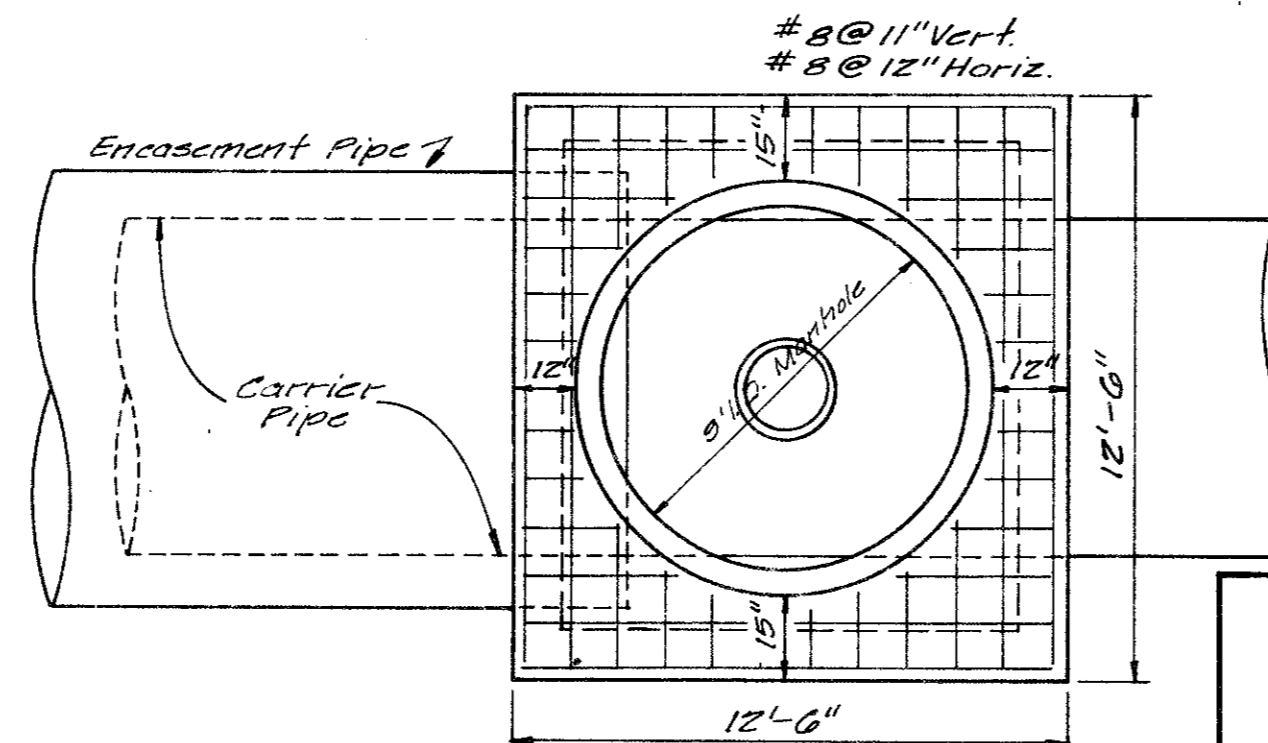
**Alternate:
Special Embedment For 84" R.C. Water Pipe**

With 16' Or More Of Cover Over Pipe

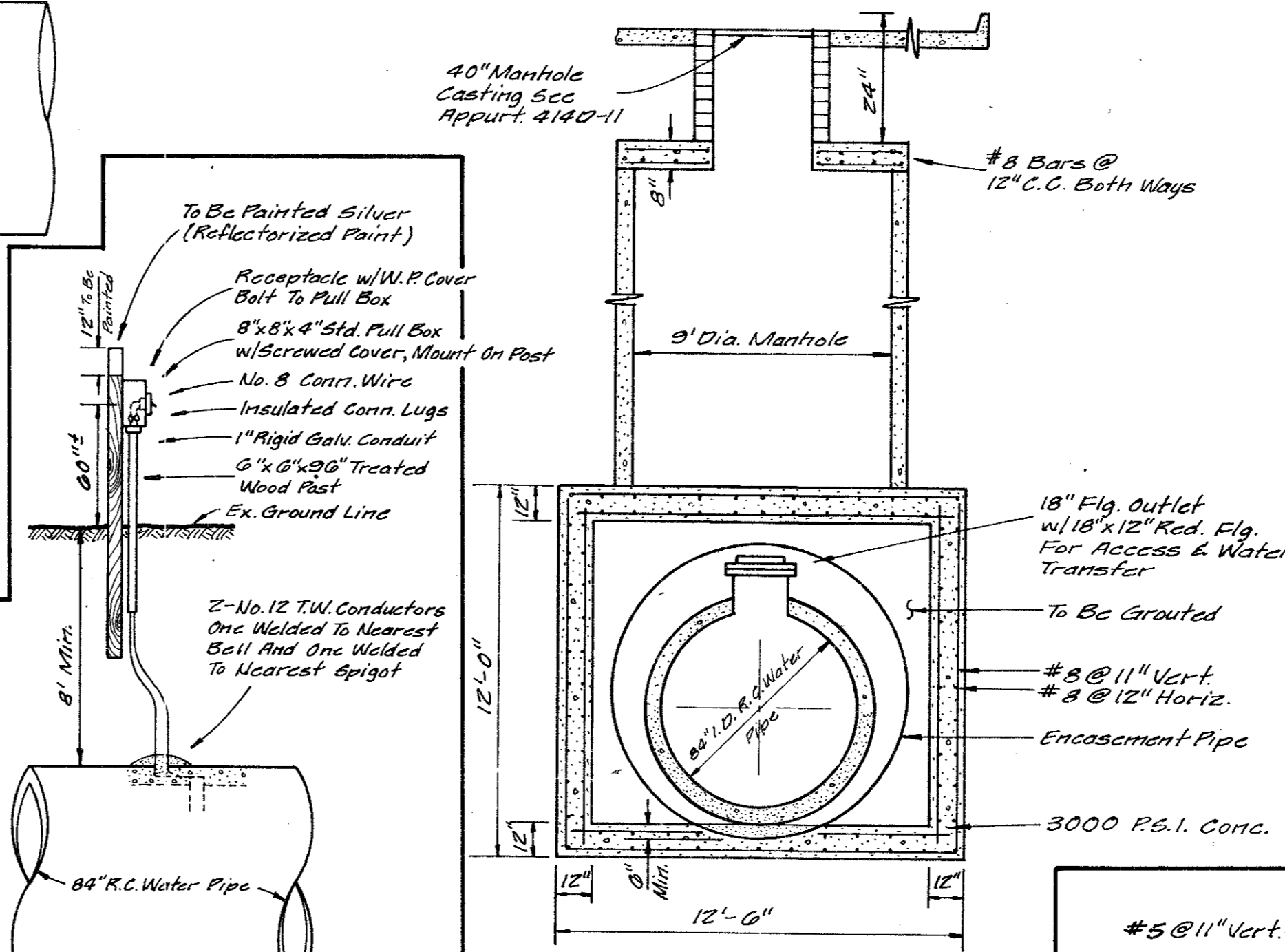
For 123" Ditch Embedment Quantities:
48.3 C.Y. Of Crushed Stone, Coarse Gradation,
Or Std. Gradation River Run Gravel Per 100 Ft.



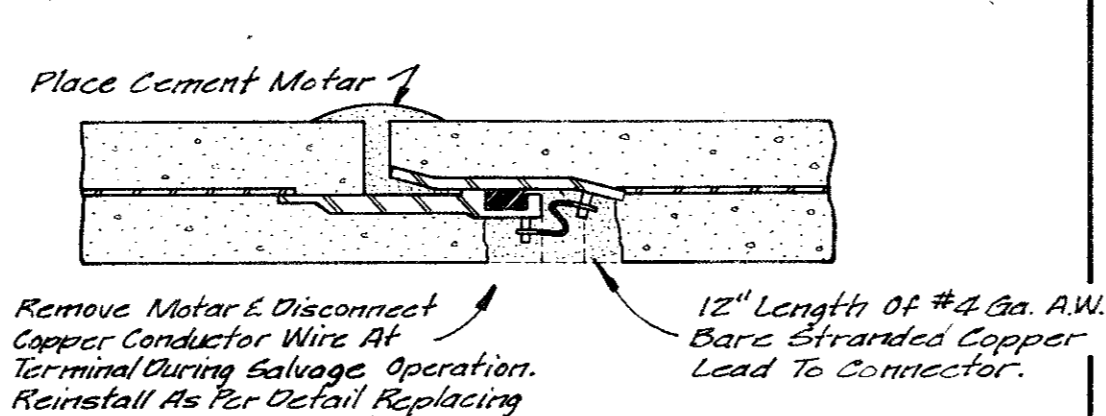
Reaction Stop Ring & Gusset Plate



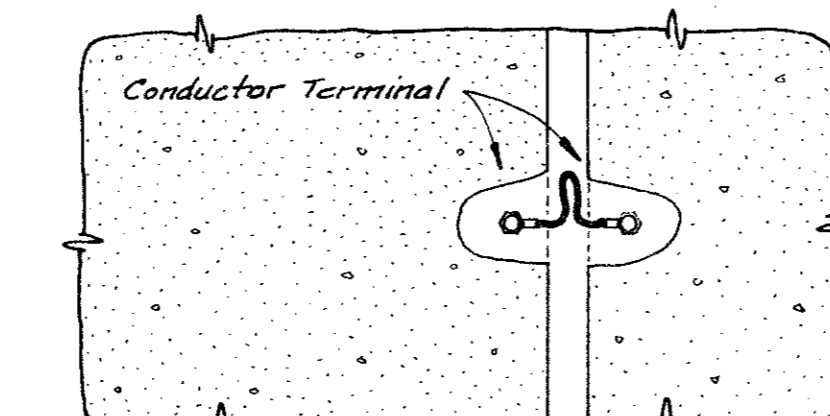
**Access Manhole Detail (Top View)
Sta. -1+78**



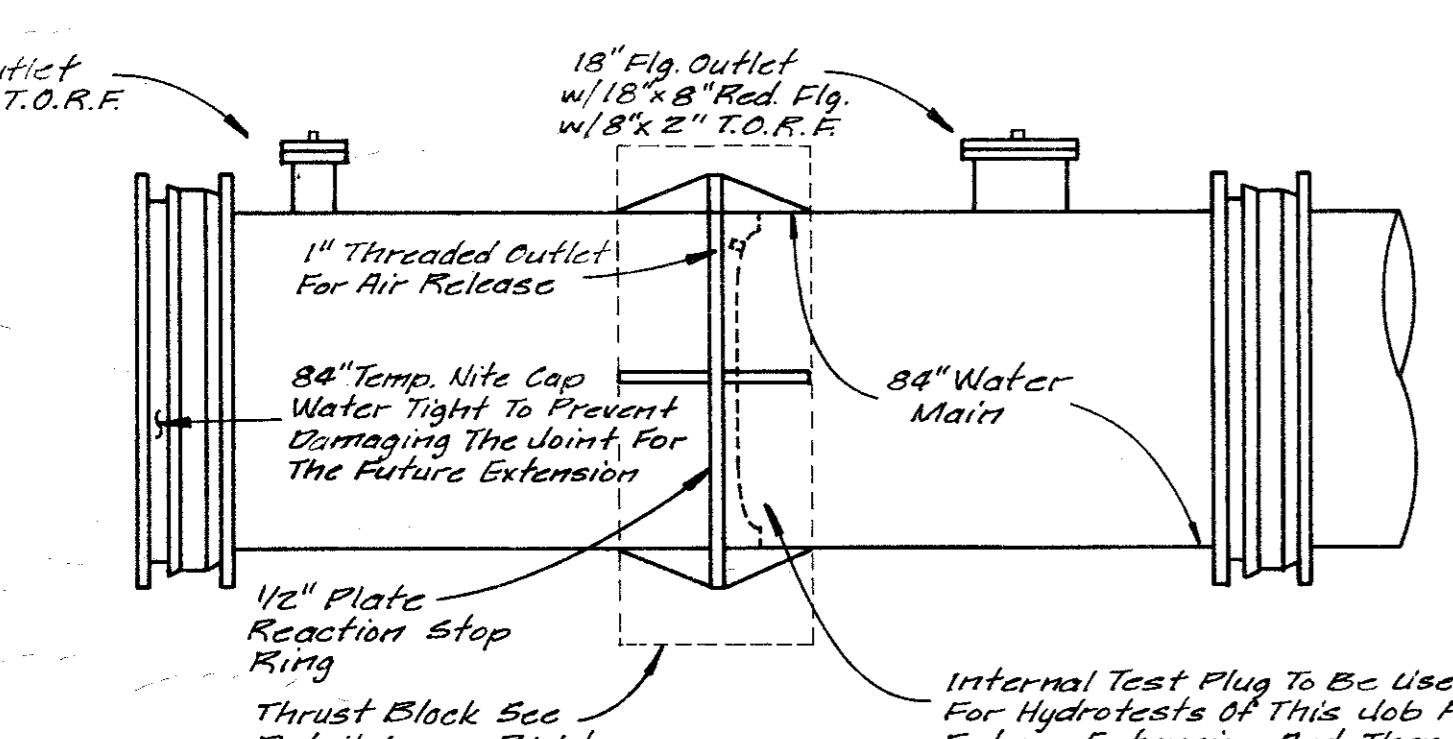
**Cathodic Test Station
Sta. 18+40**



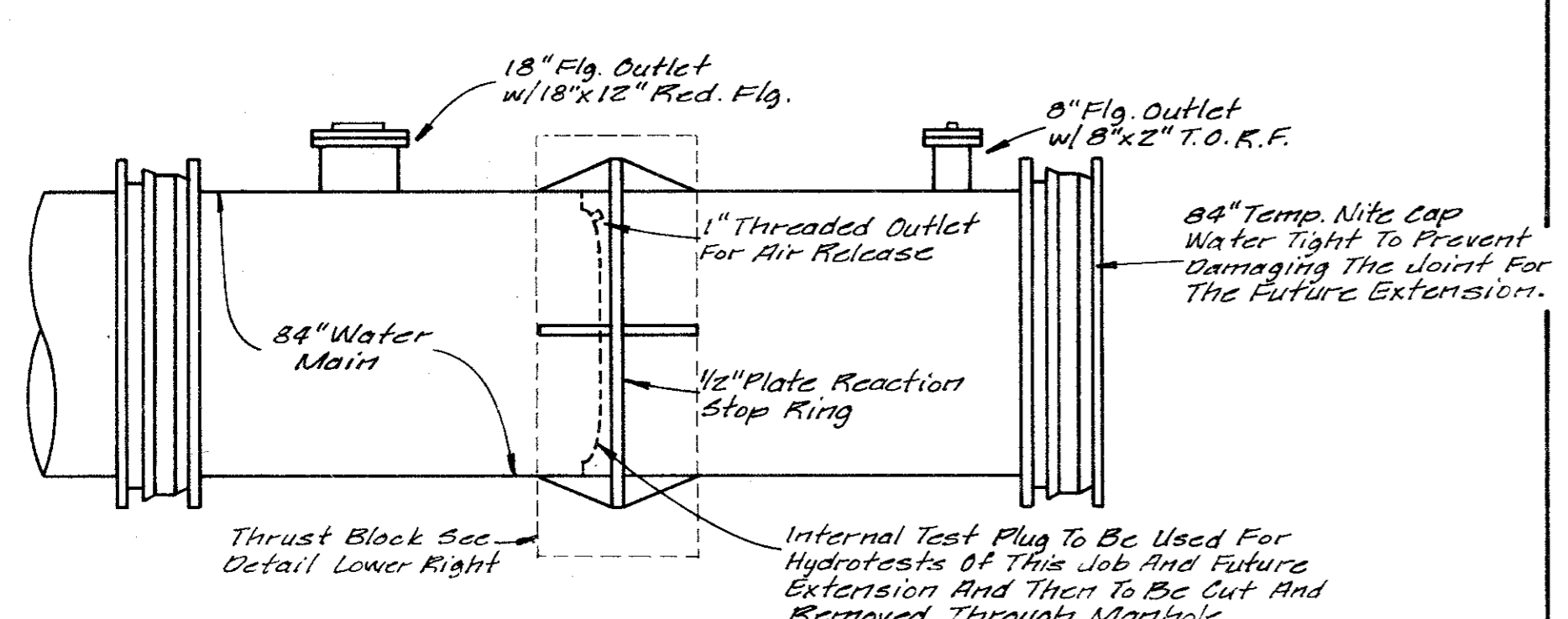
Bonded Joint Detail (Side View)



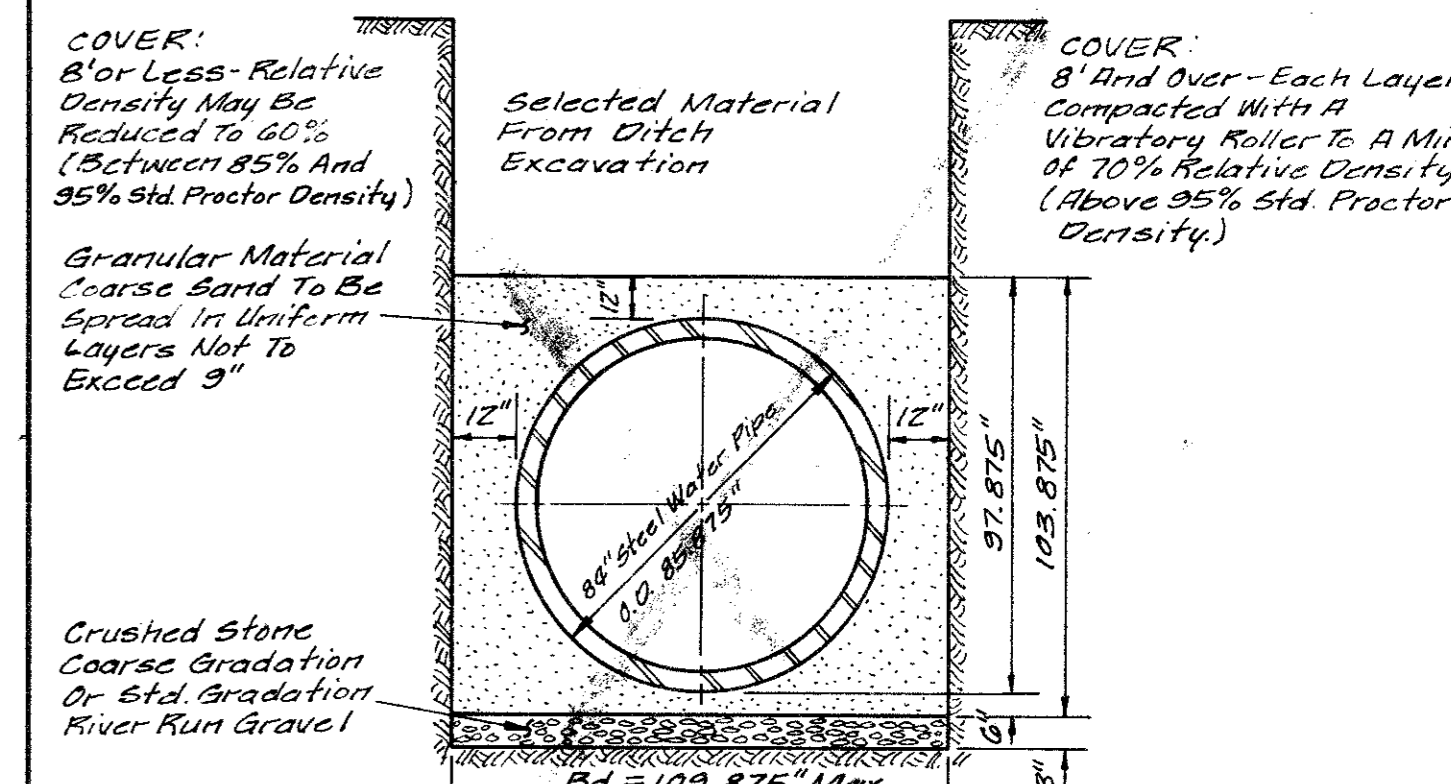
Bonded Joint Detail (End View)



**84" Test Fitting w/Internal Test Plug, Reaction Stop Ring & Temp. Nite Cap
Thrust Block For Sta. 4+12 A=14.25' B=11.75' C=3'**

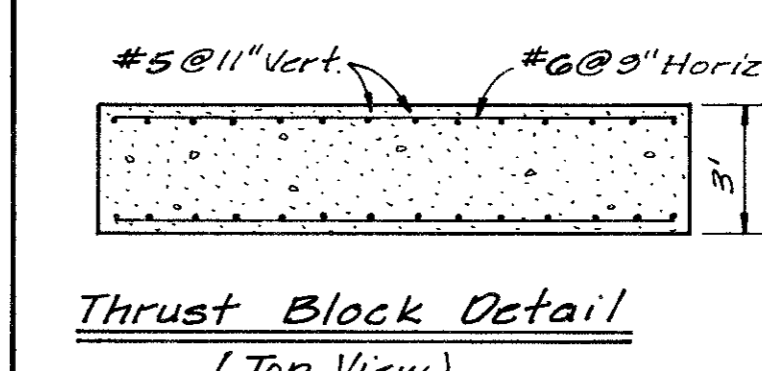


**84" Test Fitting w/Internal Test Plug, Reaction Stop Ring & Temp. Nite Cap
Thrust Block For Sta. -1+78 A=14.25' B=11.75' C=3'
See Access Manhole Details (Top View, End View)**

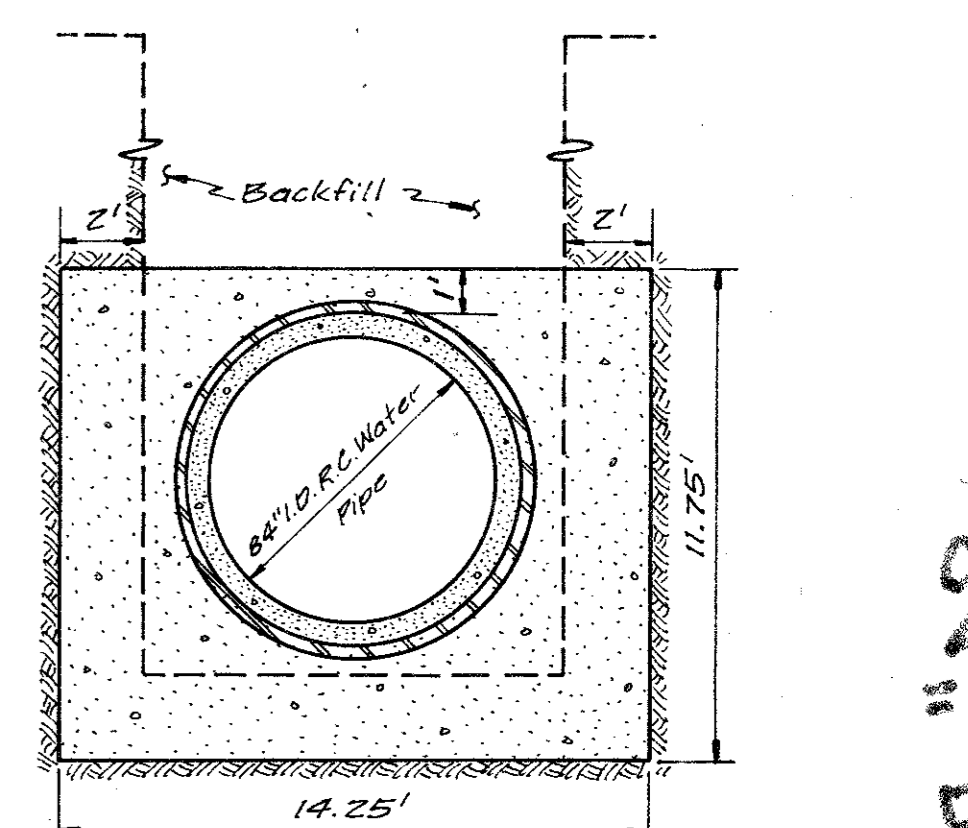


Special Embedment For 84" Steel Water Pipe

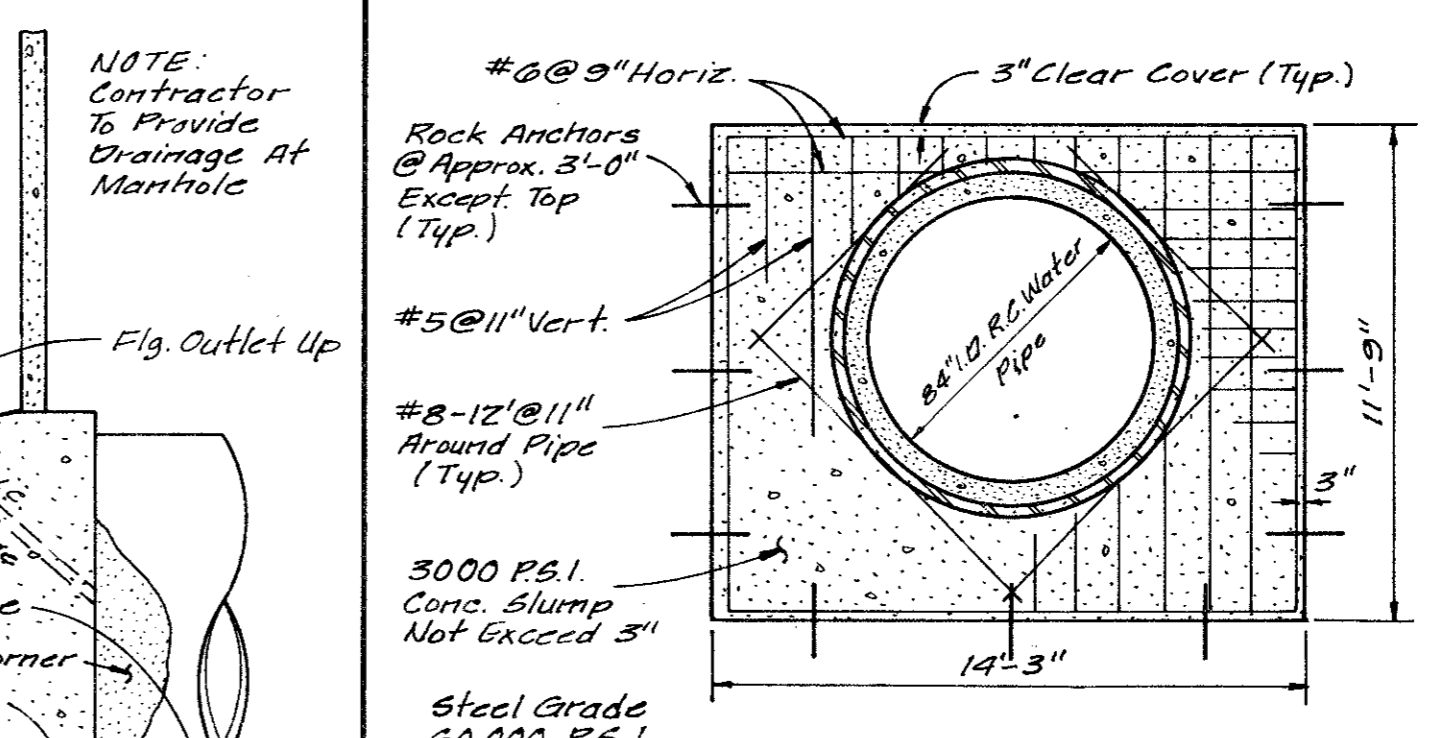
For 109.875" Ditch Embedment Quantities:
8.4 C.Y. Of Crushed Stone, Coarse Gradation,
Or Std. Gradation River Run Gravel Per 100 Ft.
144.67 C.Y. Granular Material Coarse Sand Per 100 Ft.



Thrust Block Detail (Top View)



Thrust Block For Test Fittings (End View)



Thrust Block Detail (End View)

Dallas Water Utilities Department CITY OF DALLAS, TEXAS						
DESIGN	DRAWN	DATE	SCALE	NOTES	FILE	NO.
S. Rezaei	Imurriagorri	April '83	Noted	Noted	685W	600C