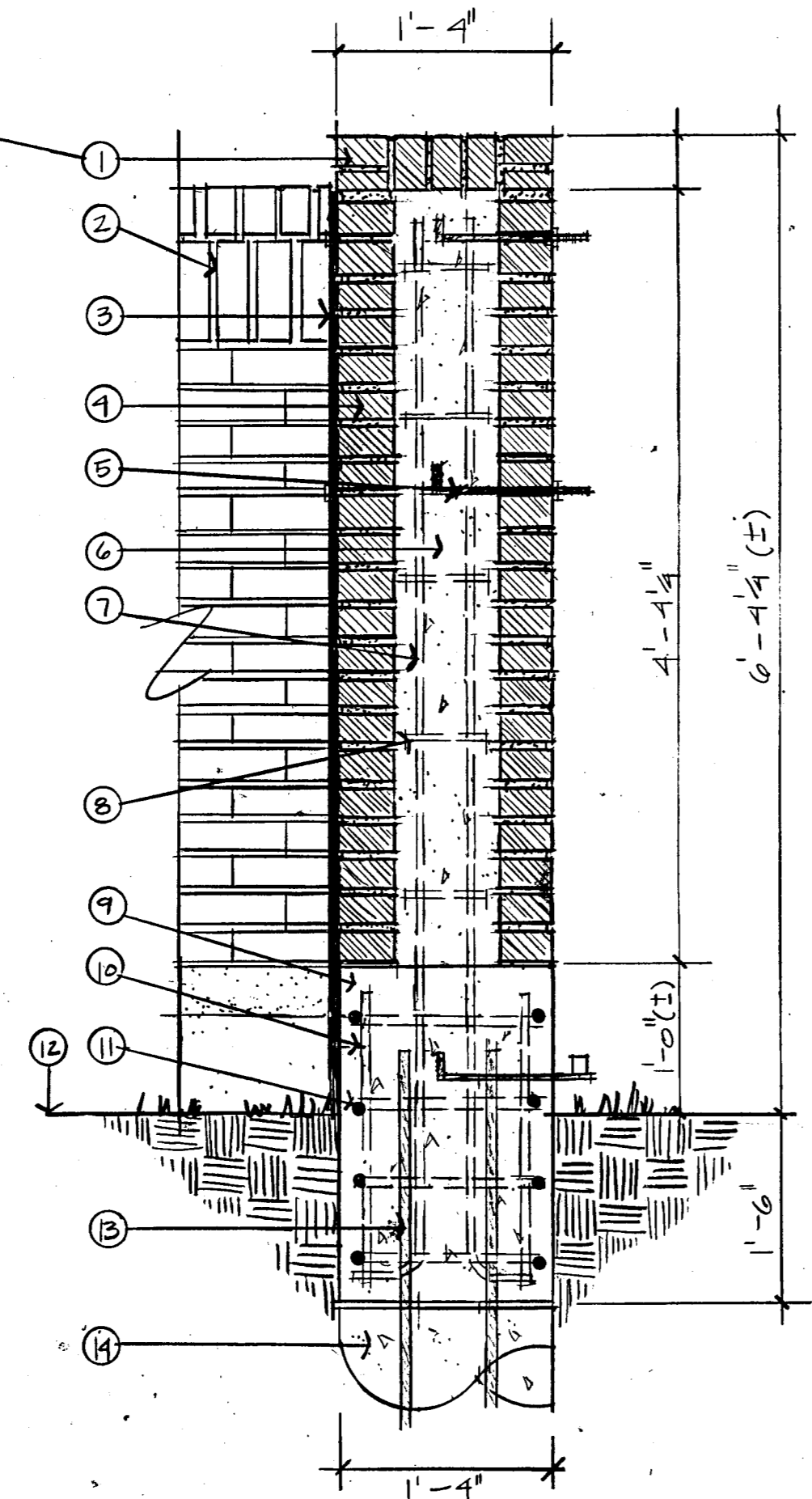


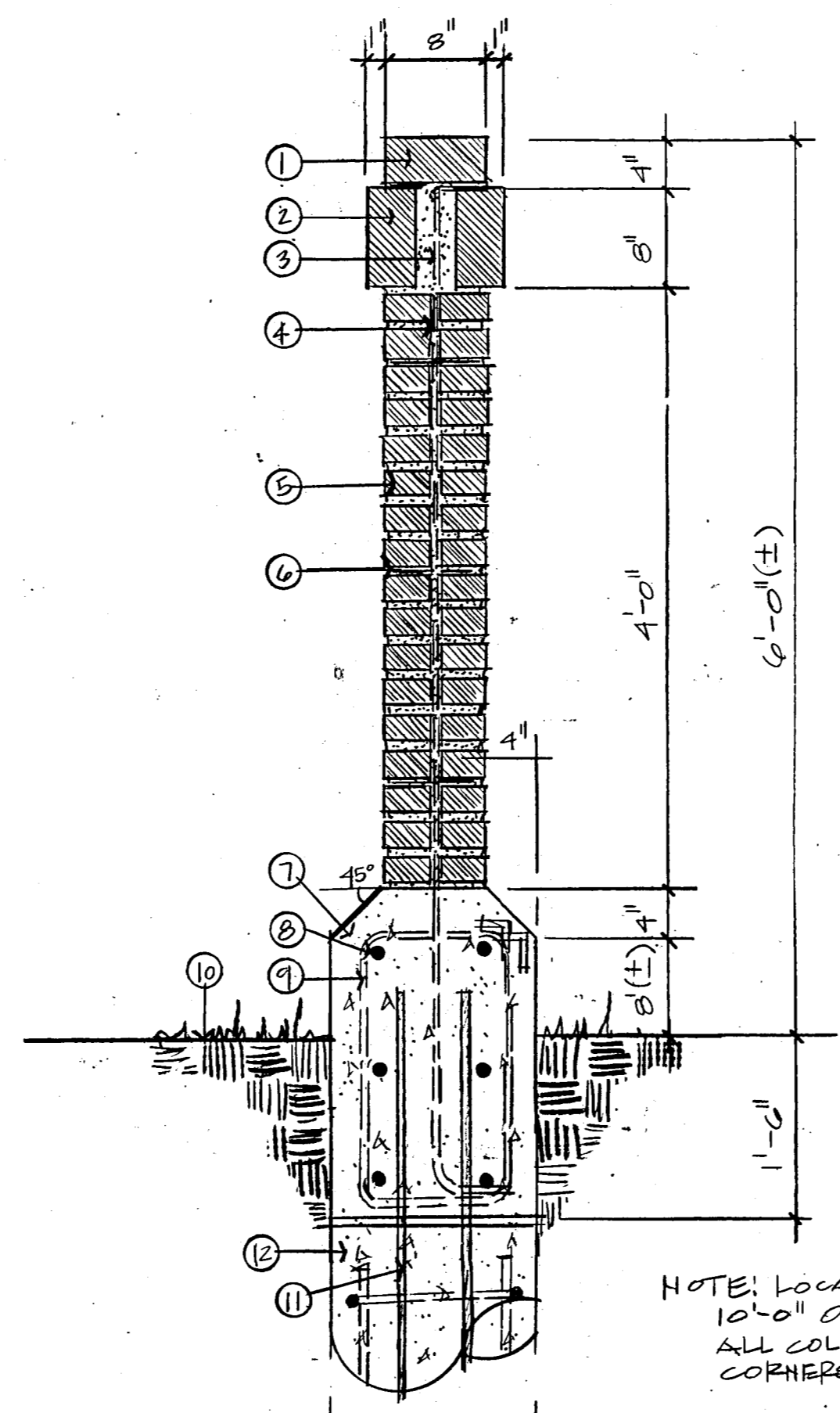
NOTE: BRICK SELECTED BY OWNER



- ① BRICK CAP
- ② BRICK WALL ELEVATION
- ③ EXPANSION JOINT (SEALED)
- ④ RUNNING BOND COURSE
- ⑤ GATE HINGE SET IN COLUMN TOP
- ⑥ CONCRETE FILL
- ⑦ 1-#5 REBAR FROM FOOTING TO TOP OF COL.
- ⑧ #2 REBAR TIES 12" O.C.
- ⑨ CONCRETE BASE/FOOTING 16" X 16"
- ⑩ 4-#4 REBAR 26" LONG (VERT. EX. CORNER)
- ⑪ #3 REBAR TIES 6" O.C.
- ⑫ FINISHED GRADE REF. GRADING
- ⑬ 4-#5 X 3-0" LONG BOWELS
- ⑭ CONG. PIER 16" Ø EA. PILASTER REF. S2/THIS SHEET

NOTE: ALL FOOTINGS TO BE REVIEWED BY A STRUCTURAL ENGINEER

**01 BRICK COLUMN SECTION** SCALE: 1"=1'-0"



NOTE: BRICK SELECTED BY OWNER

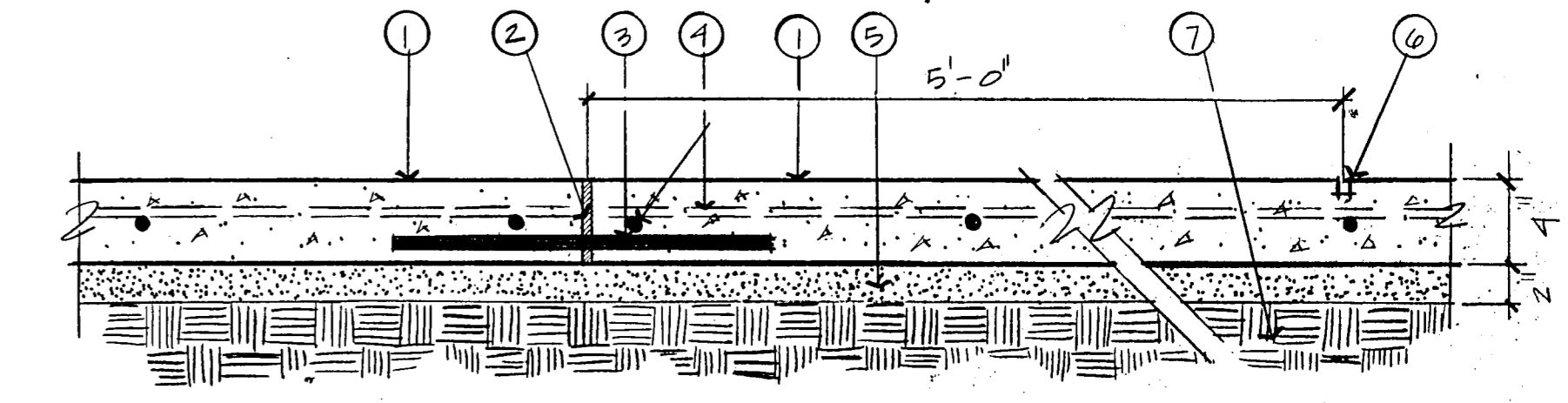
- ① ROWLOCK CAP
- ② SOLDIER COURSE
- ③ MORTAR OR BRICK FILL
- ④ #3 REBAR 12" O.C. FROM FOOTING TO TOP OF WALL
- ⑤ RUNNING BOND COURSE
- ⑥ HEAVY DUTY WELDED MESH EVERY 6TH COURSE
- ⑦ CONCRETE BASE/FOOTING
- ⑧ 6-#5 REBAR CONTINUOUS
- ⑨ #3 REBAR 16" O.C.
- ⑩ FINISHED GRADE REF. GRADING
- ⑪ 1-#4 X 3-0" LONG BOWELS
- ⑫ 16" Ø CONG. PIER 2'-0" INTO ROCK! REIN. W/ 4-#5 VERT & #3 12" O.C.

NOTE: LOCATE PIERS 10'-0" O.C. AND @ ALL COLUMNS AND CORNERS

NOTE: WALL EXPANSION JOINTS: 10'-0" O.C. EQUAL DISTANCE BETWEEN PIERS AND AT ALL CORNERS. (SEALED). (IN WALL ONLY)

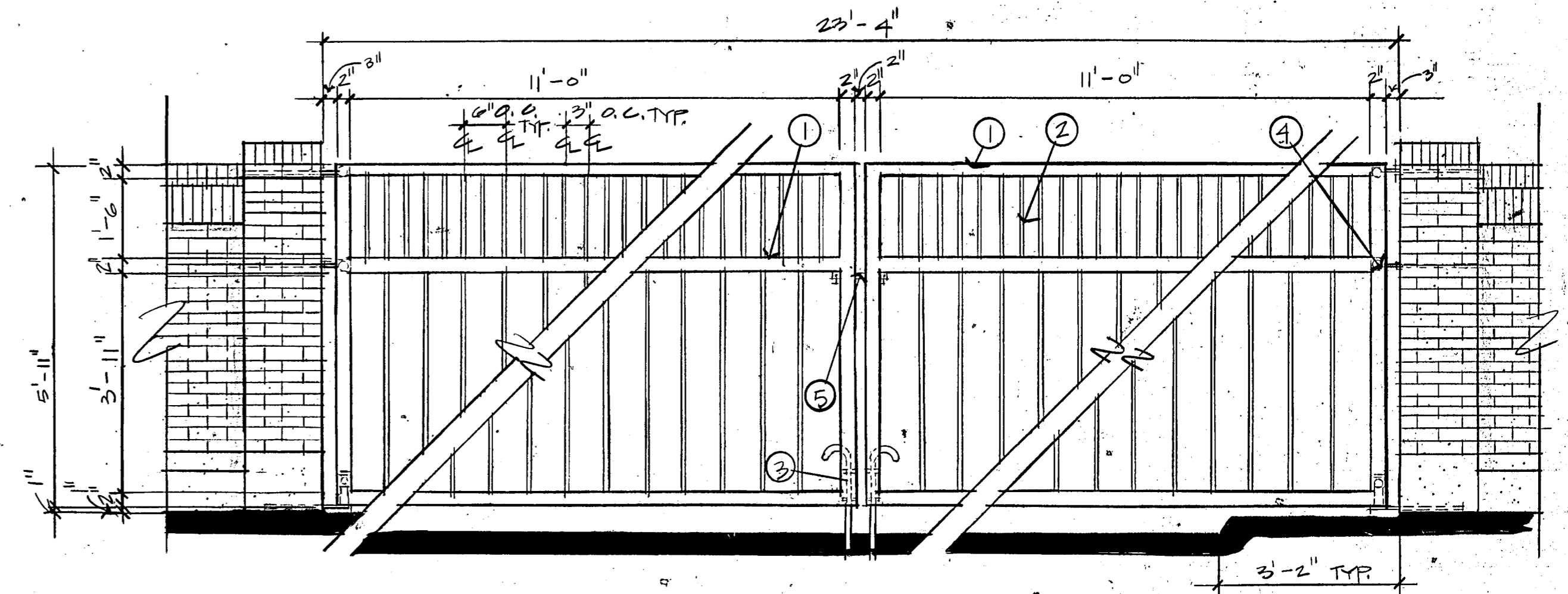
ALL FOOTINGS TO BE REVIEWED BY STRUCTURAL ENGINEER

**02 BRICK WALL SECTION** SCALE: 1"=1'-0"



- ① ROUGH BROOM FINISH
- ② 1/4" THICK FIBER EXPANSION JOINT 15'-0" O.C.
- ③ 3-1/2" Ø SMOOTH DOWEL 18" LENGTH CAPPED 20" O.C.
- ④ #3 REBAR 18" O.C. BOTH WAYS
- ⑤ 2" SAND BED
- ⑥ 1/4" DEPTH SAW-CUT CONTROL JOINTS 5'-0" O.C.
- ⑦ COMPACTED SUBGRADE

**03 CONCRETE WALK SECTION** SCALE: 1 1/2"=1'-0"

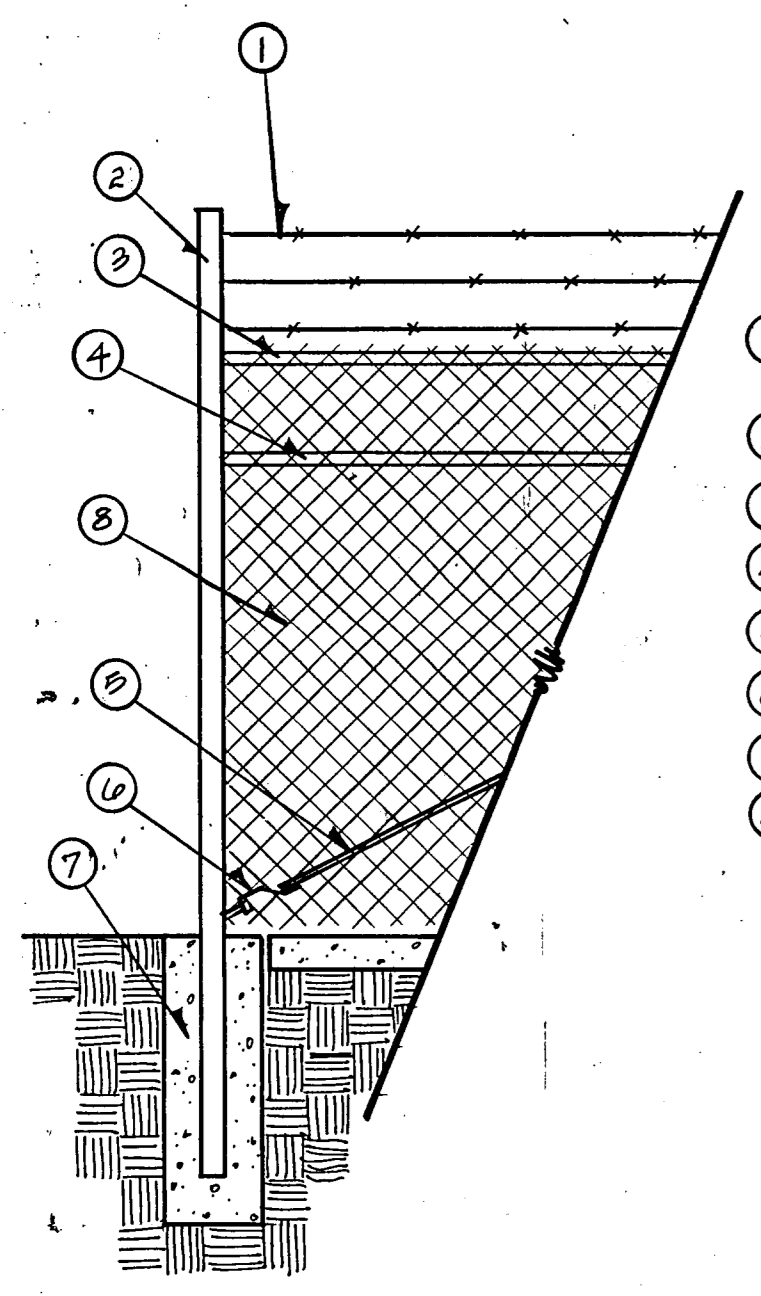


- ① 2" X 2" SQUARE WROUGHT IRON W/ 10 GALVANIZED WALLS
- ② 1" X 1" SQUARE WROUGHT IRON W/ 16 GALVANIZED WALLS
- ③ GATE BOLT
- ④ GATE HINGE SET IN COLUMN
- ⑤ GATE LATCH

NOTE: SEE DETAILS OF 02 THIS SHEET FOR FOOTINGS. STEEL STRUCTURE IN COLUMN TO ATTACH GATES TO BE FURNISHED IN SHOP DRAWING. FOR BY CONTRACTOR

NOTE: 1. CONTRACTOR TO PROVIDE SHOP DRAWINGS FOR LATCH, HINGES, GATE BOLT AND METHODS OF FABRICATION FOR FINAL APPROVAL BY OWNER  
2. GATE DESIGN SHOWN BY IRON CRAFT STUDIO INC. #1126 CONTRACTOR TO GUARANTEE STRUCTURAL STABILITY OF GATE, HINGES, SUPPORT & FUNCTIONING

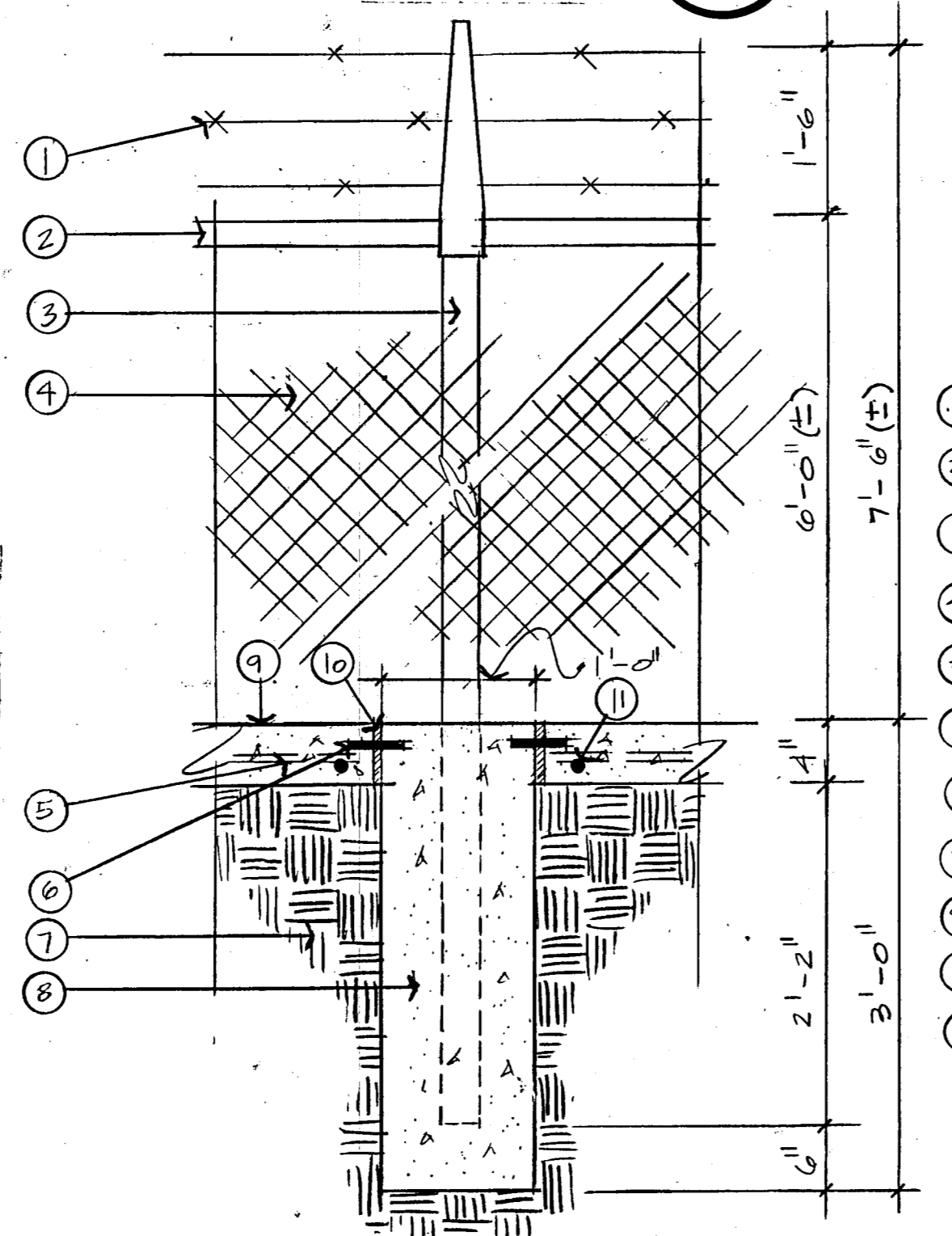
**04 GATE ELEVATION** SCALE: 1/2"=1'-0"



- ① THREE SPANS ALUMINUM COATED BARB NICK
- ② TERMINAL POST
- ③ BLACK PVC COATED TOP RAIL
- ④ BLACK PVC COATED BRAC RAIL
- ⑤ BLACK PVC COATED TENSE ROD
- ⑥ TENSE TIGHT FENCE
- ⑦ 12" X 12" X 3'-0" CONCRETE FOOTING
- ⑧ BLACK PVC COATED CHAIN LINK FENCE, 9 GAUGE

REF 016/20 FOR DETAILS & DIMENSIONS

**05 TERMINAL POST** SCALE: 1/2"=1'-0"



- ① ALUMINUM COATED BARBED WIRE
- ② GALVANIZED TOP RAIL PIPE W/ BLACK PVC COATING
- ③ GALVANIZED POST W/ BLACK PVC COATING 7'-0" O.C.
- ④ BLACK PVC COATED CHAIN LINK FENCE 9 GAUGE
- ⑤ 2-#3 REBAR CONTINUOUS
- ⑥ 2-1/2" Ø SMOOTH DOWEL 4" LENGTH CAPPED 6" O.C.
- ⑦ COMPACTED SUBGRADE
- ⑧ 12" X 12" X 3'-0" CONG. FOOTING
- ⑨ 12" X 4" DEEP CONG. MIX STRIP W/ BROOM FINISH
- ⑩ 1/4" THICK FIBER EXPANSION JOINT 2' AT EVERY POST
- ⑪ #3 REBAR 8" LONG 18" O.C.

ALL FOOTINGS TO BE REVIEWED BY STRUCTURAL ENGINEER

**06 FENCE POST FOOTING** SCALE: 1"=1'-0"

20  
44



BELTWOOD RESERVOIR EXPANSION  
DETAILS

DALLAS WATER UTILITIES  
CITY OF DALLAS, TEXAS

TurnerCollie & Braden Inc.

DESIGN	CONTRACT NO.	SHEET NO.
DRAWN	89-79	20
TRACED	FILE NO.	
CHECKED	630 Q 700 F	OF 44
DATE		