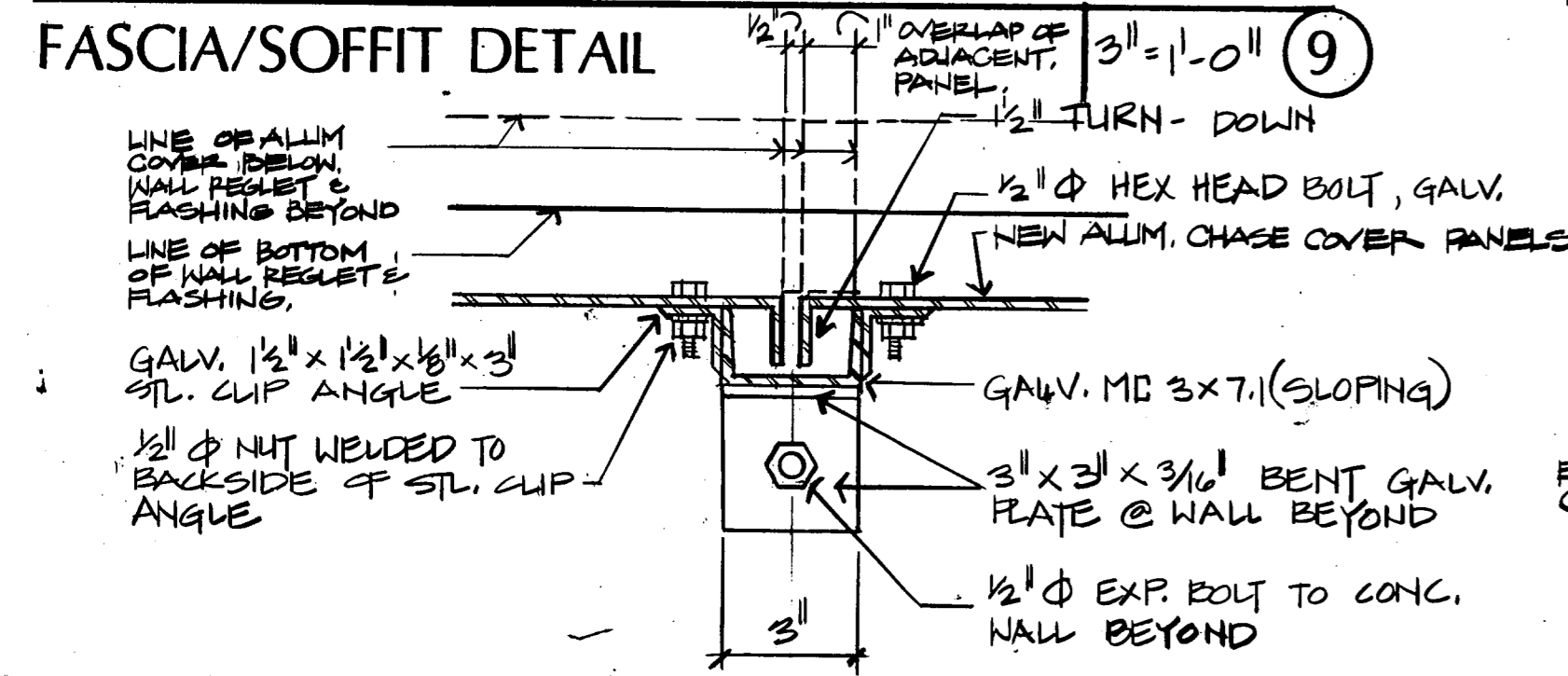
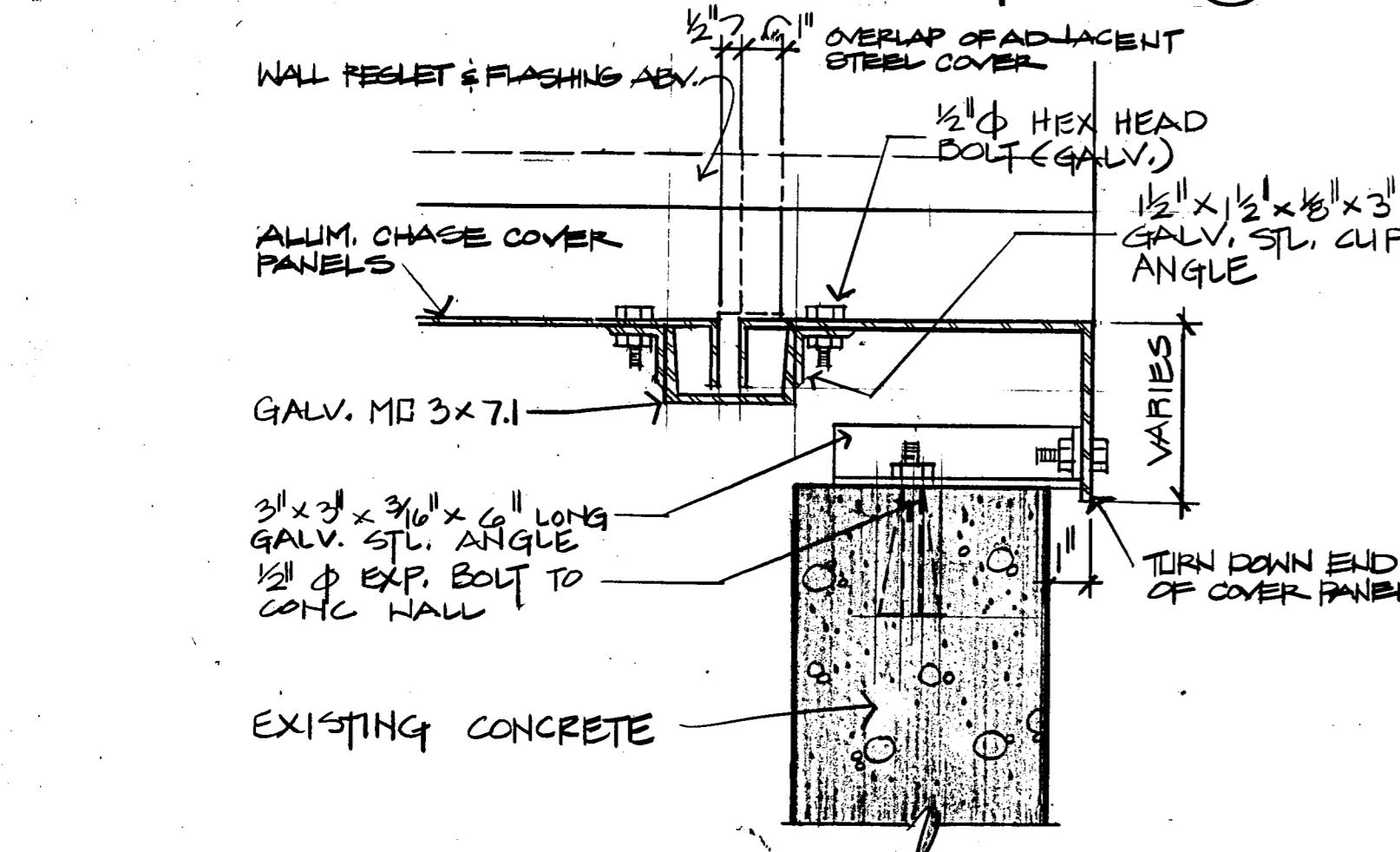


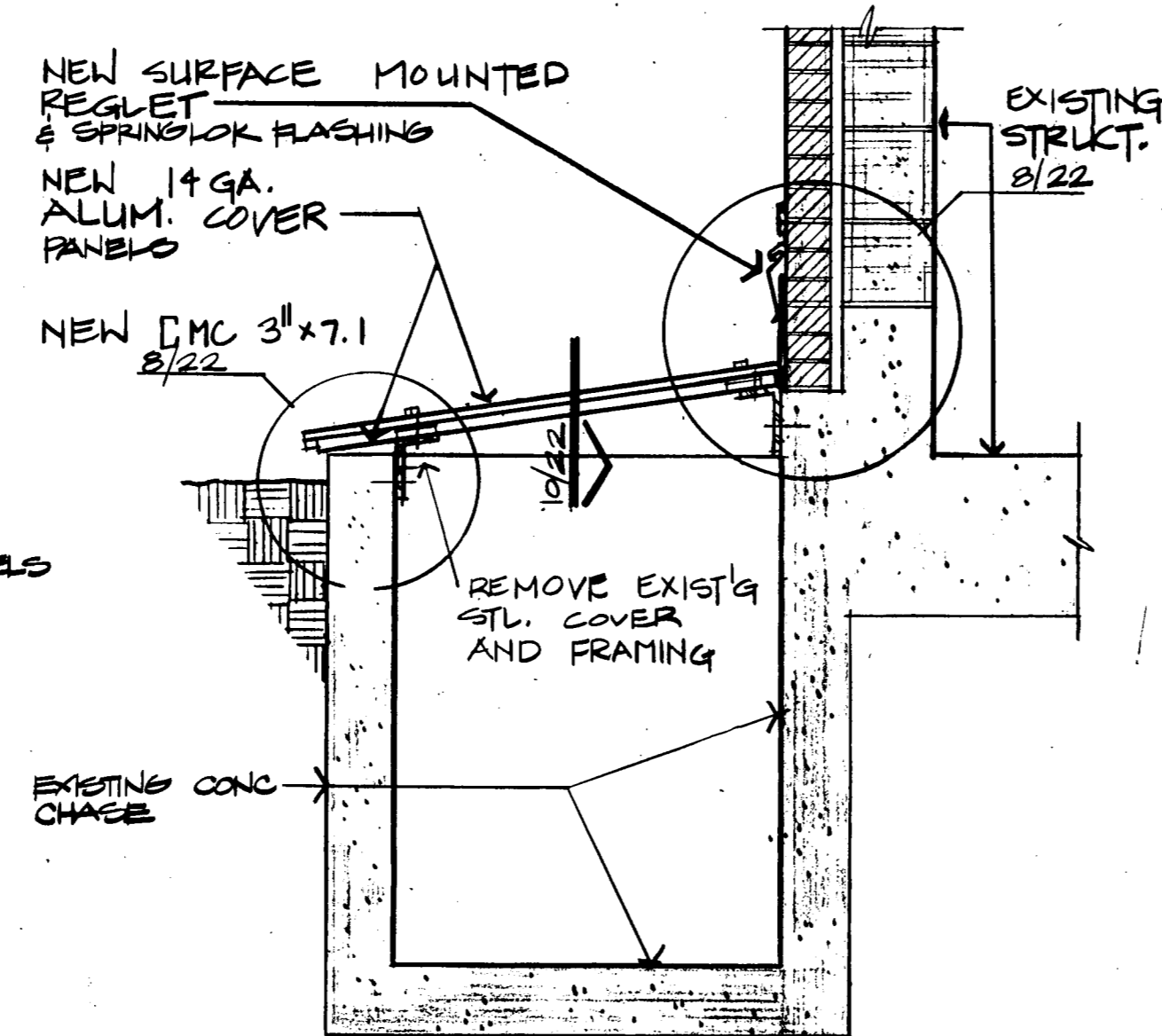
CHASE COVER 3'-1-0" (8)



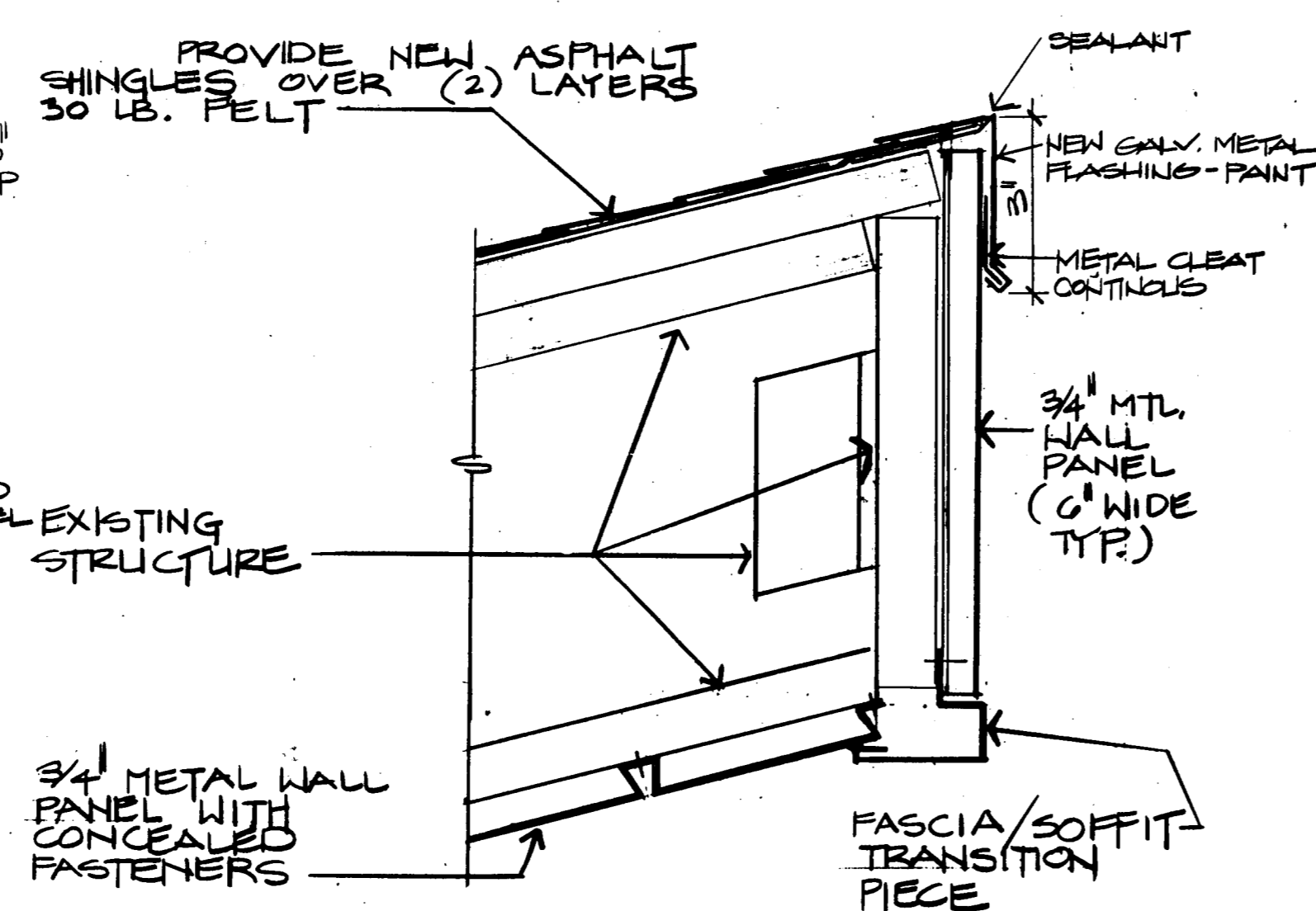
CHASE COVER- PANEL JOINT 3'-1-0" (10)



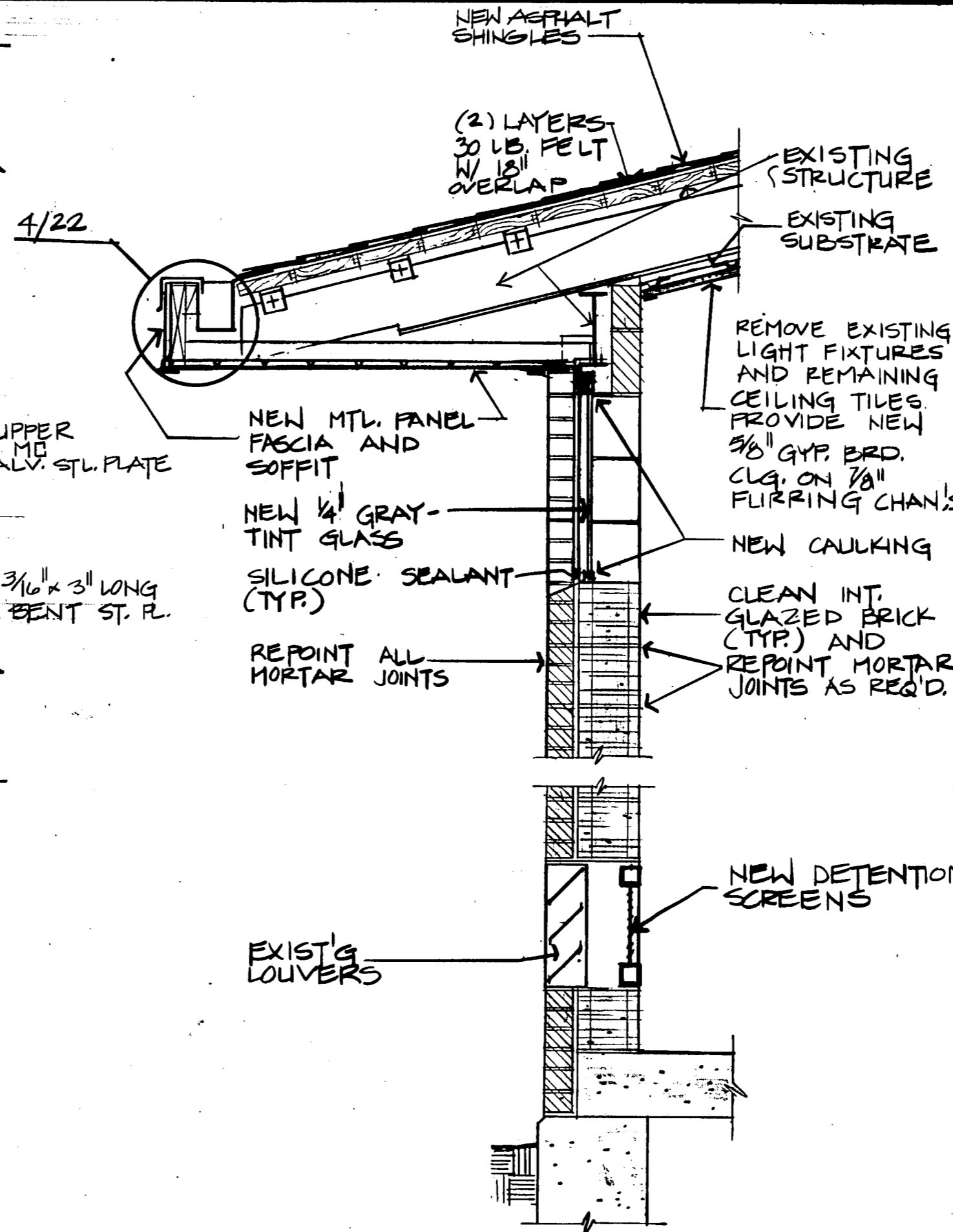
CHASE COVER- END CONDITION 3'-1-0" (11)



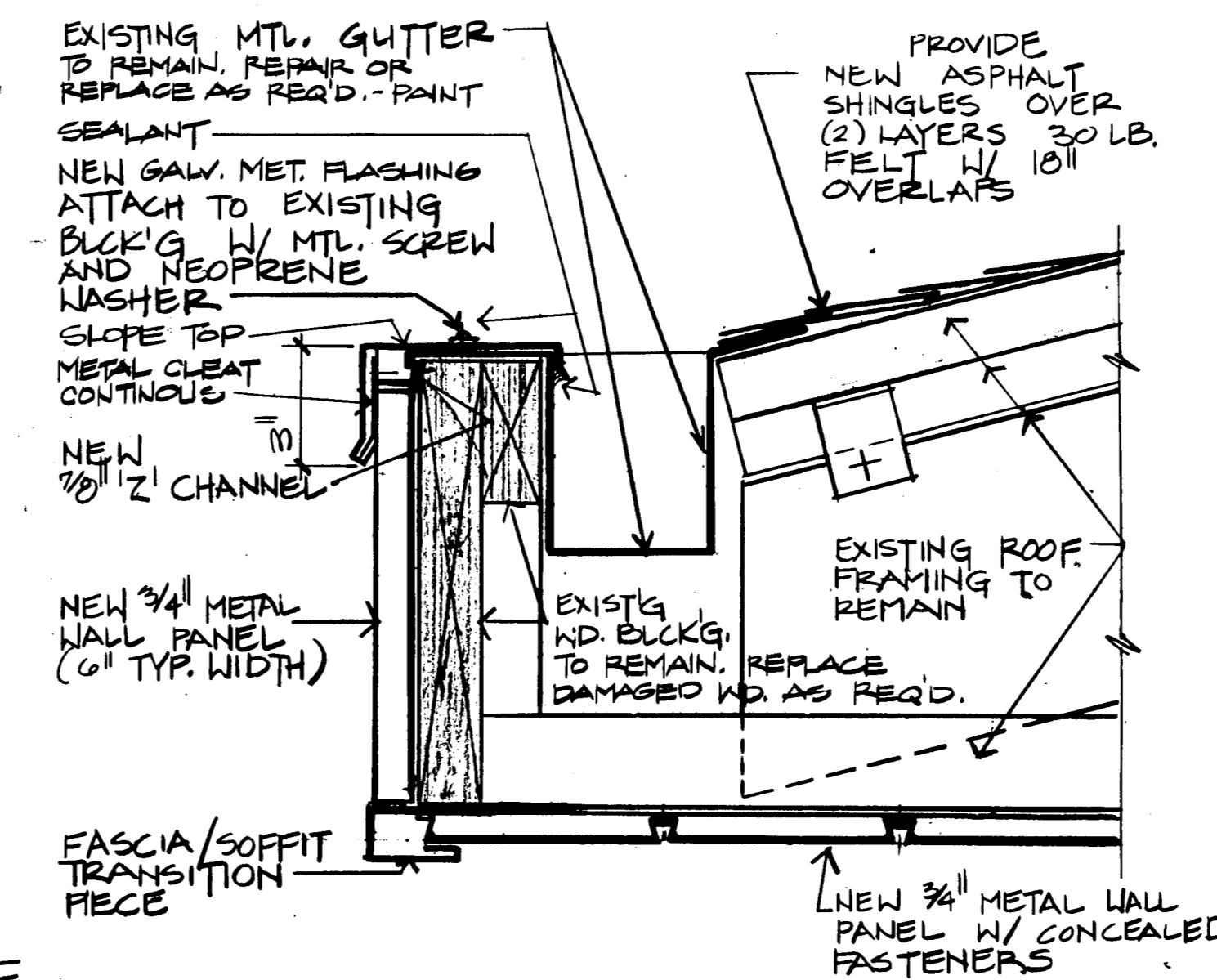
CONDUIT CHASE 3'-4"-1-0" (7)



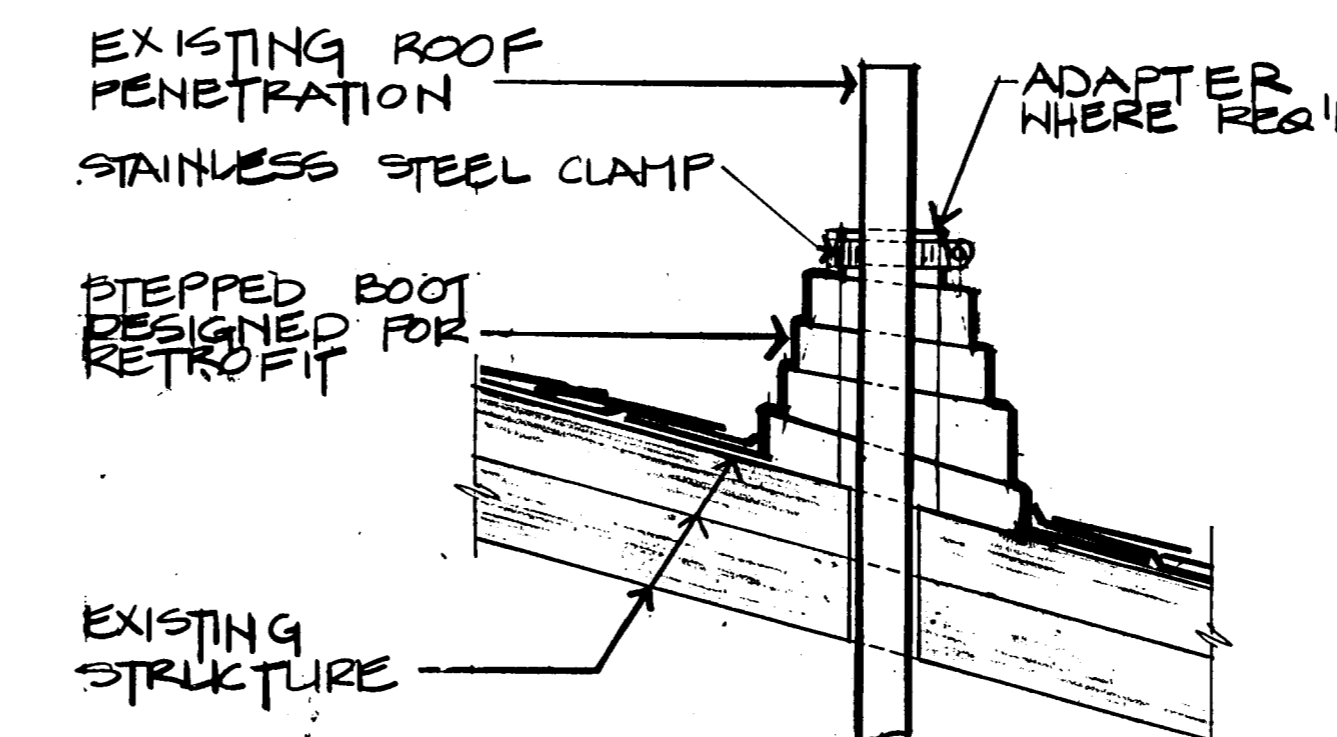
FASCIA DETAIL 3'-1-0" (6)



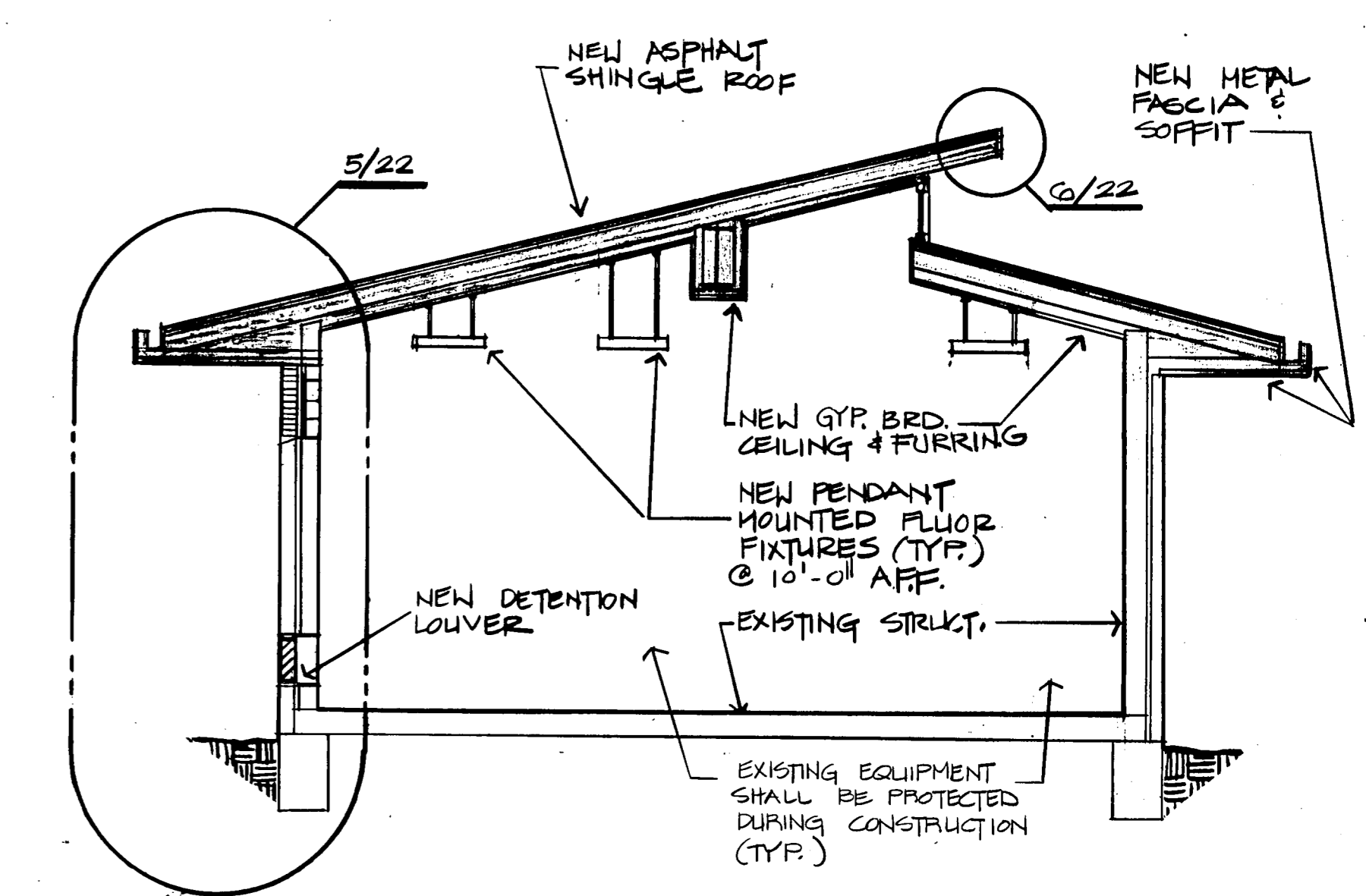
WALL SECTION 3'-4"-1-0" (5)



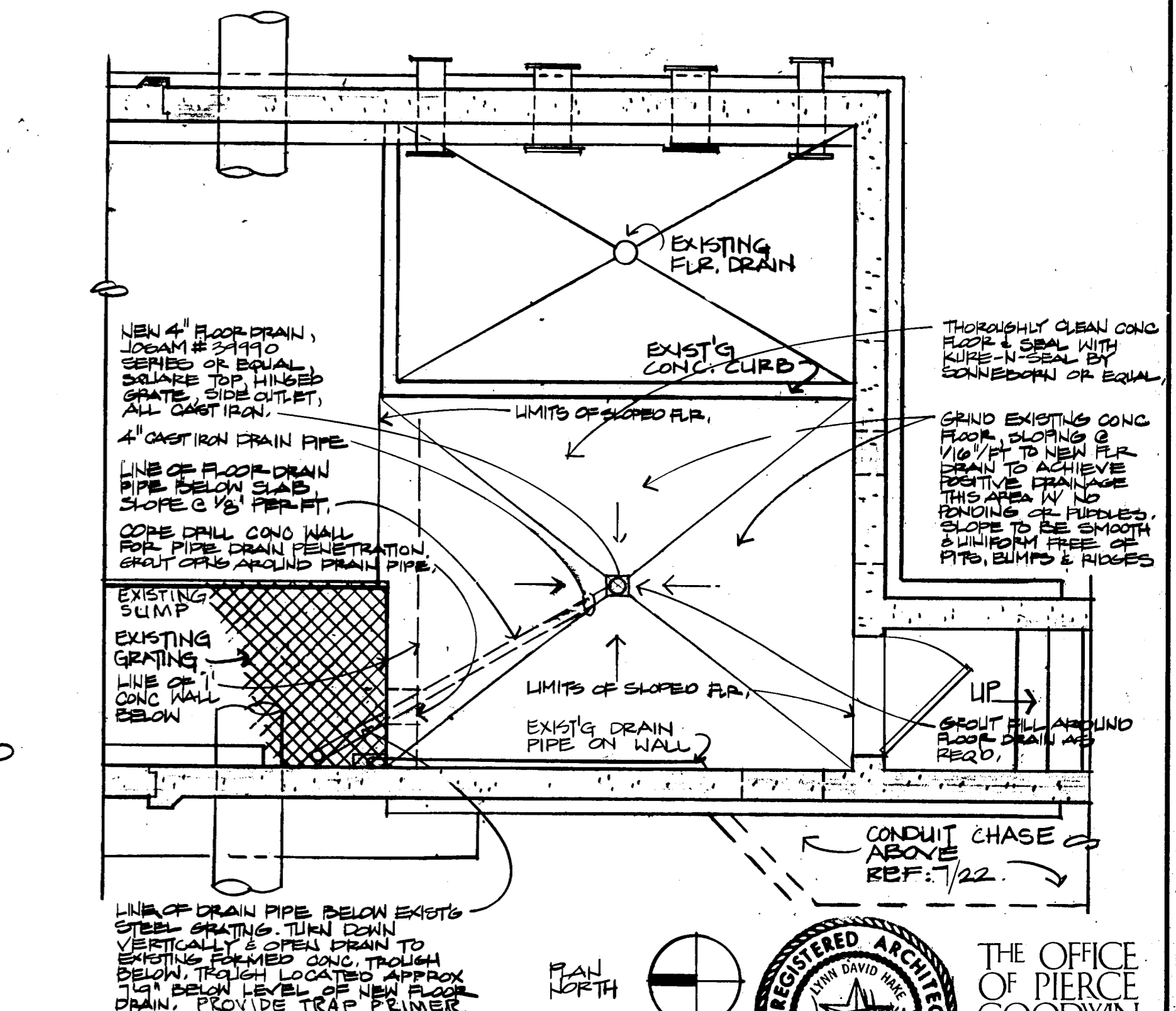
GUTTER DETAIL 3'-1-0" (4)



ROOF PENETRATIONS 3'-1-0" (3)



BUILDING SECTION 1'-4"-1-0" (2)



CONTROL ROOM PLAN 1'-4"-1-0" (1)

BELTWOOD RESERVOIR EXPANSION
CONTROL HOUSE
SECTIONS & DETAILS
DALLAS WATER UTILITIES
CITY OF DALLAS, TEXAS
Turner Collie & Braden Inc.

DESIGN DRAWN TRACED CHECKED DATE
CONTRACT NO. 89-79
FILE NO. 630 Q.700 F
SHEET NO. 23 OF 44

REGISTERED ARCHITECT
DAVID W. BRADEN
STATE OF TEXAS
1979

THE OFFICE OF PIERCE GOODWIN & LINVILLE