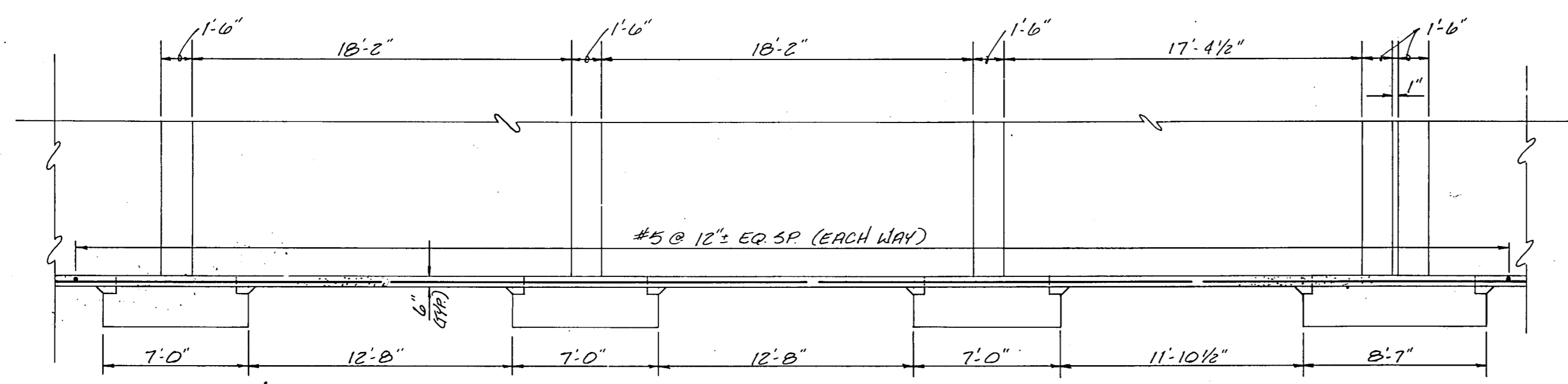
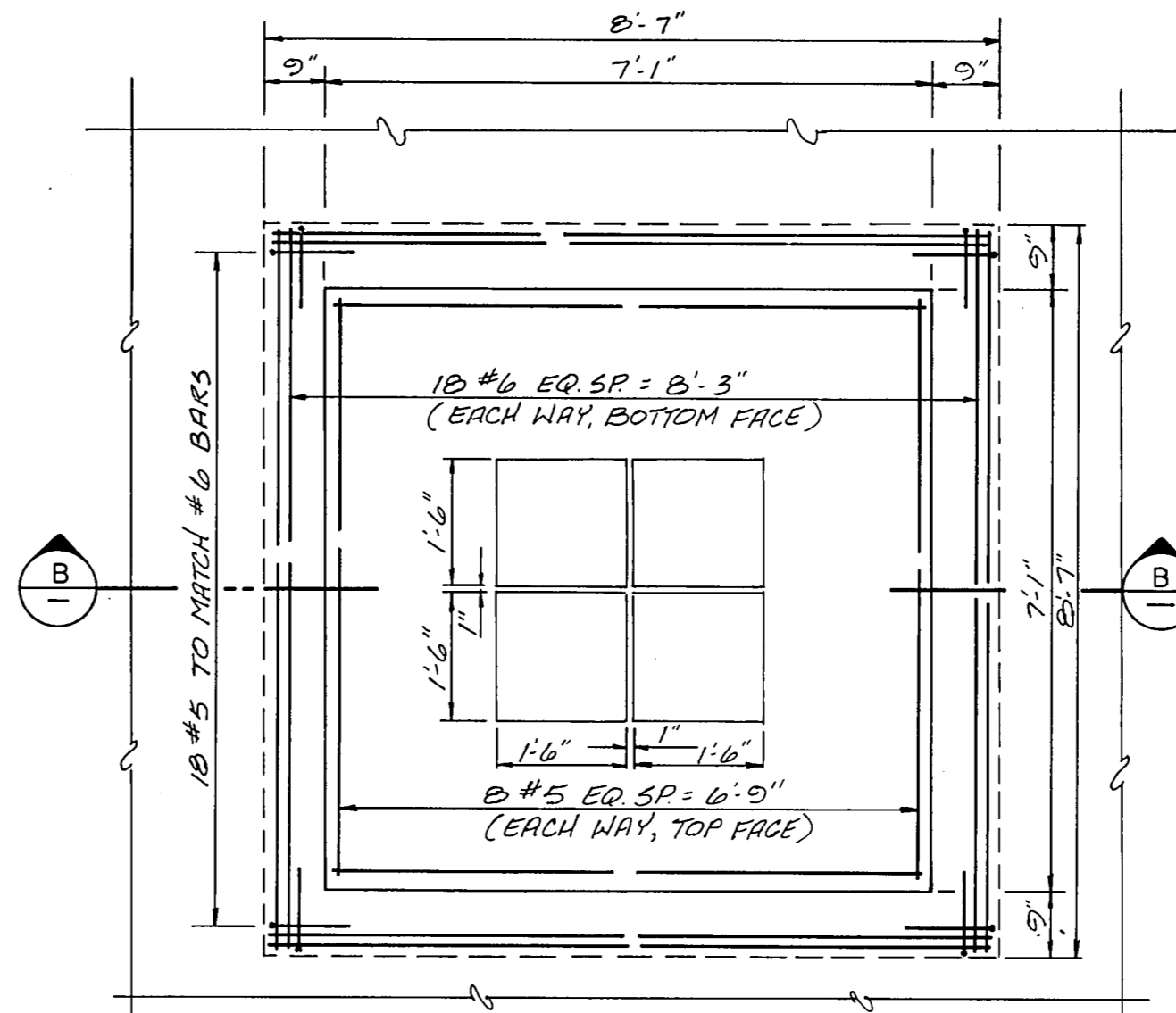


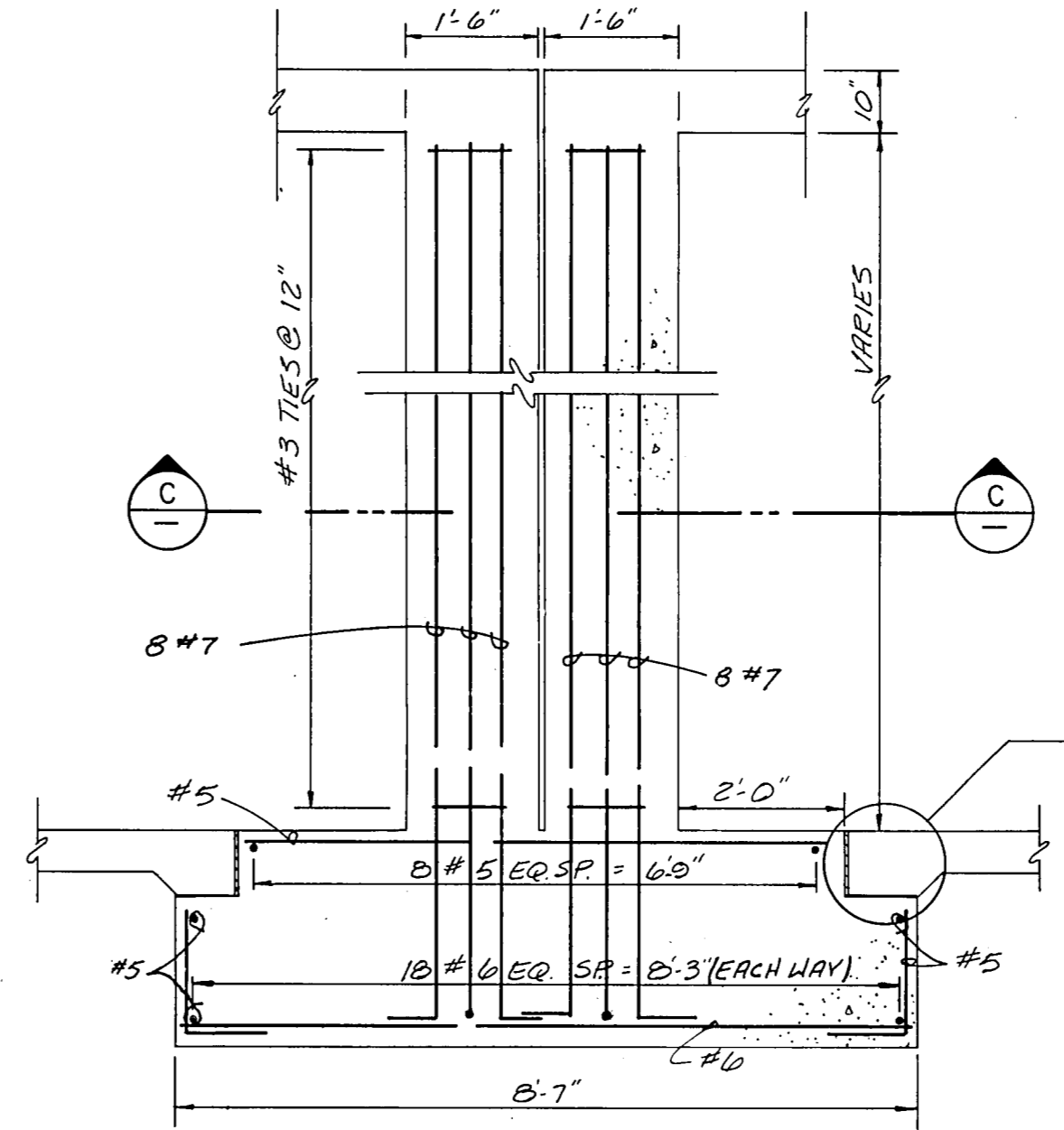
FOUNDATION PLAN
INTERIOR BAYS NEAR EXPANSION JOINTS
 SCALE: 3/16"=1'-0"



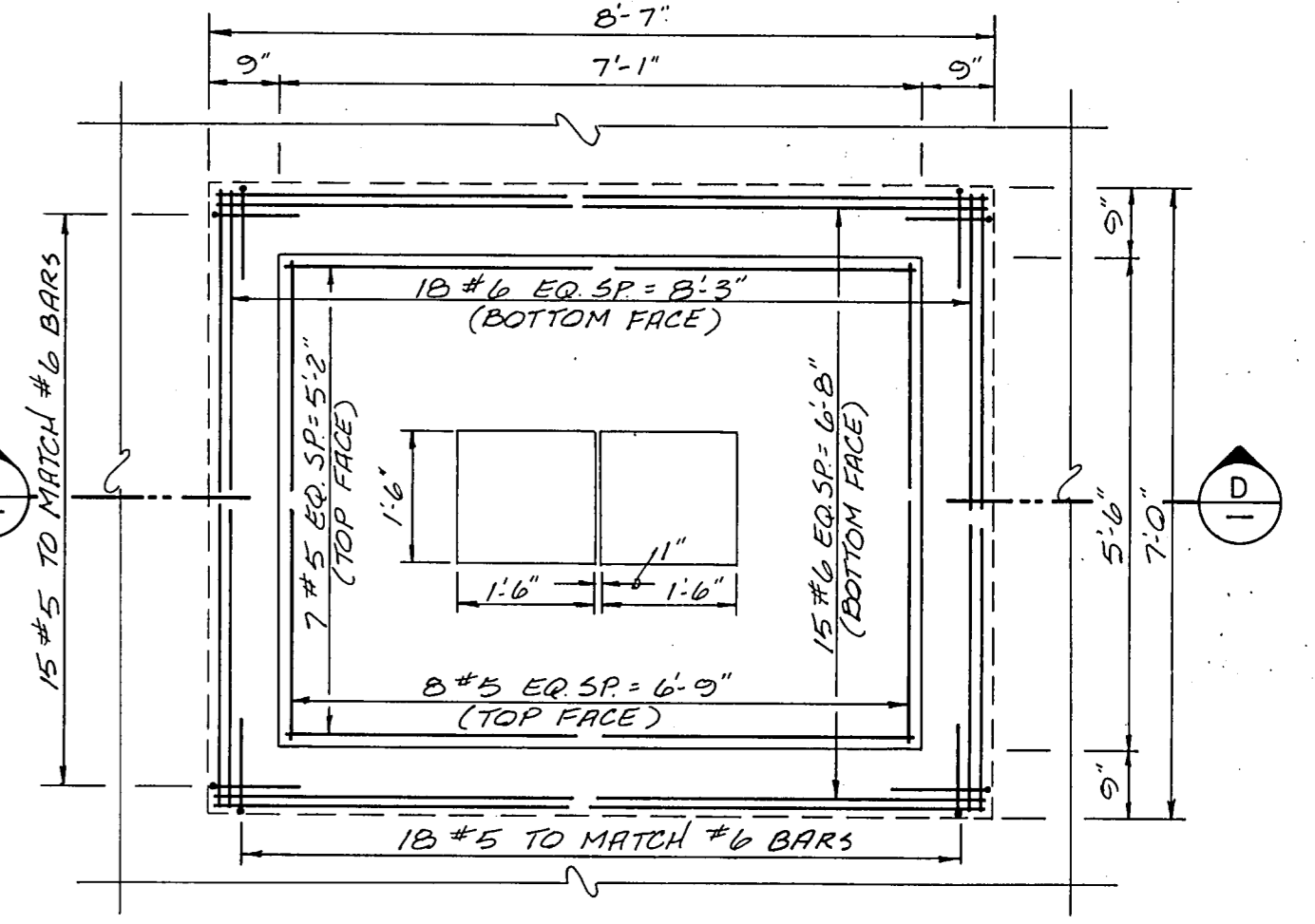
SECTION A
 SCALE: 3/16"=1'-0"



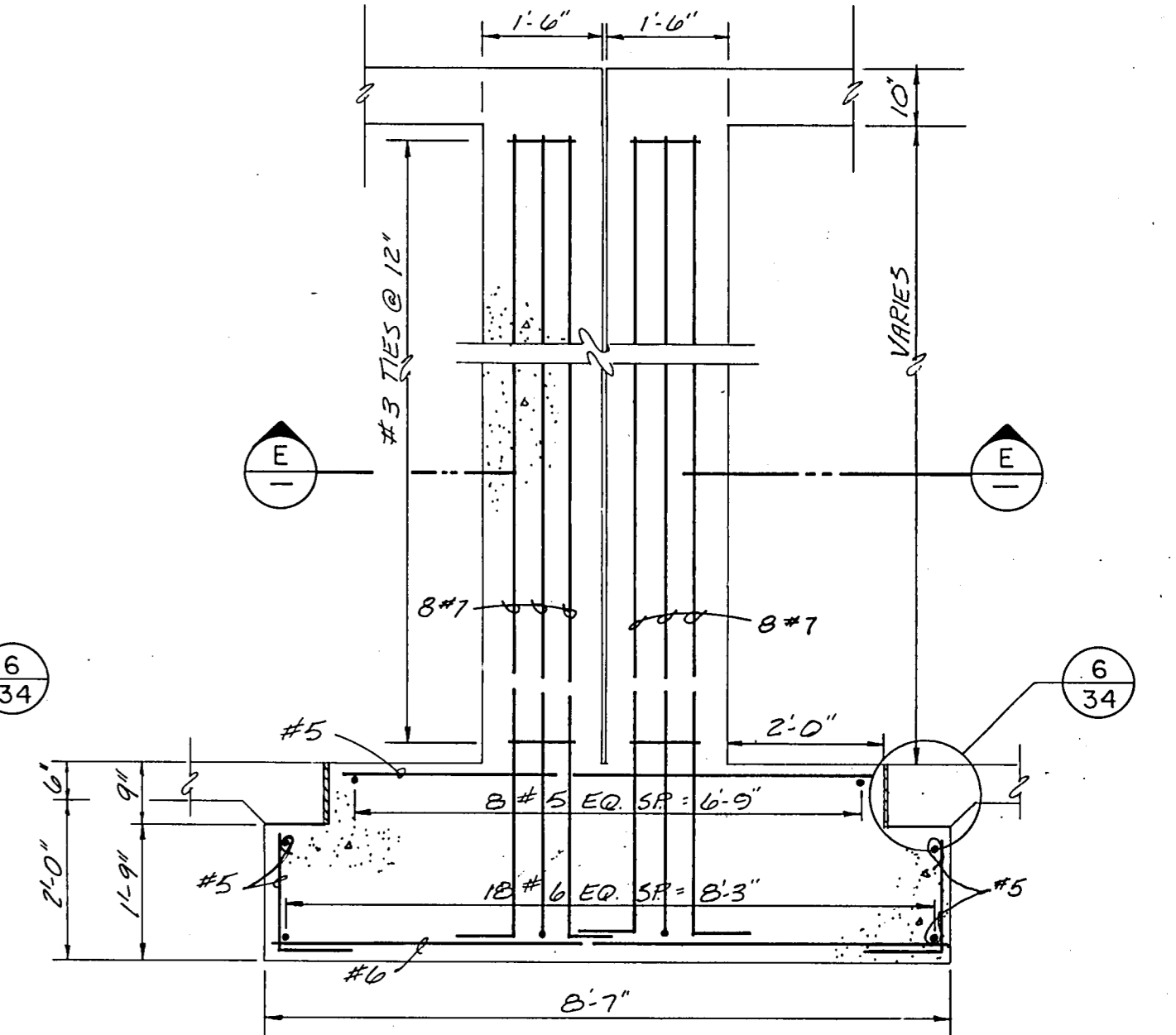
PLAN 4-COLUMN FOOTING
 SCALE: 1/2"=1'-0"



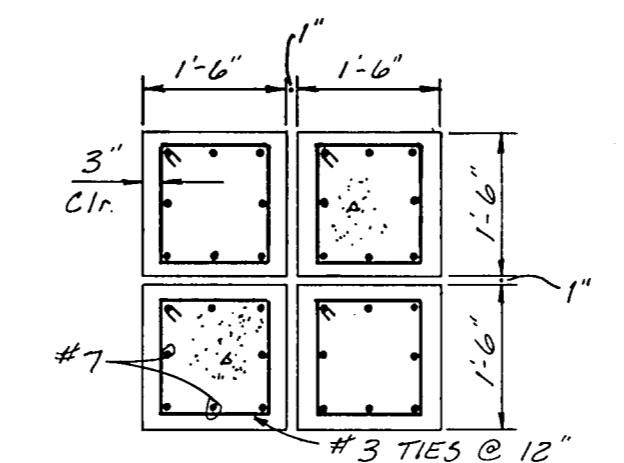
SECTION B
 SCALE: 1/2"=1'-0"



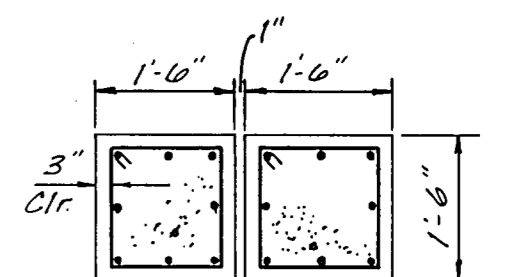
PLAN 2-COLUMN FOOTING
 SCALE: 1/2"=1'-0"



SECTION D
 SCALE: 1/2"=1'-0"

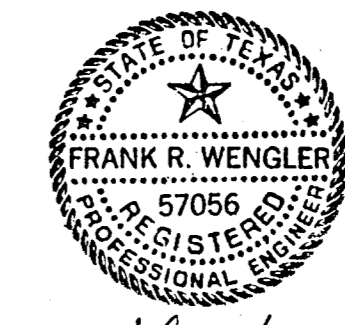


SECTION C
 SCALE: 1/2"=1'-0"



SECTION E
 SCALE: 1/2"=1'-0"

- NOTES:
1. FOR STRUCTURAL NOTES AND DETAILS, SEE SHEET 34 OF 44
 2. WALL AND ROOF SLAB REINFORCING STEEL NOT SHOWN FOR CLARITY.
 3. STEEL REINFORCEMENT LAP LENGTHS AS SHOWN IN DETAIL 1 ON SHEET 34 OF 44
 4. ALL HOOKS SHOWN TO BE STANDARD A.C.I. HOOKS
 5. EXCAVATE WITHIN LIMITS OF PROPOSED RESERVOIR TO ROCK. EXCAVATED AREAS TO BE REPLACED WITH SELECT FILL PER SPECIFICATIONS.
 6. OPENINGS ARE NOT SHOWN FOR CLARITY SEE SHEET 25 OF 44 FOR FLOOR SLAB PENETRATION LOCATIONS.



FLW
 6/8/89

NO.	DATE	REVISION	APPROVED
BELTWOOD RESERVOIR EXPANSION			
RESERVOIR FOUNDATION PLAN			
DALLAS WATER UTILITIES CITY OF DALLAS, TEXAS			
Turner Collier & Braden Inc.			
DESIGN	FRW	CONTRACT NO.	89-79
DRAWN	C.A.	FILE NO.	630 Q 700 F
TRACED			
CHECKED			
DATE	5/89		
		SHEET NO.	28
		OF	44