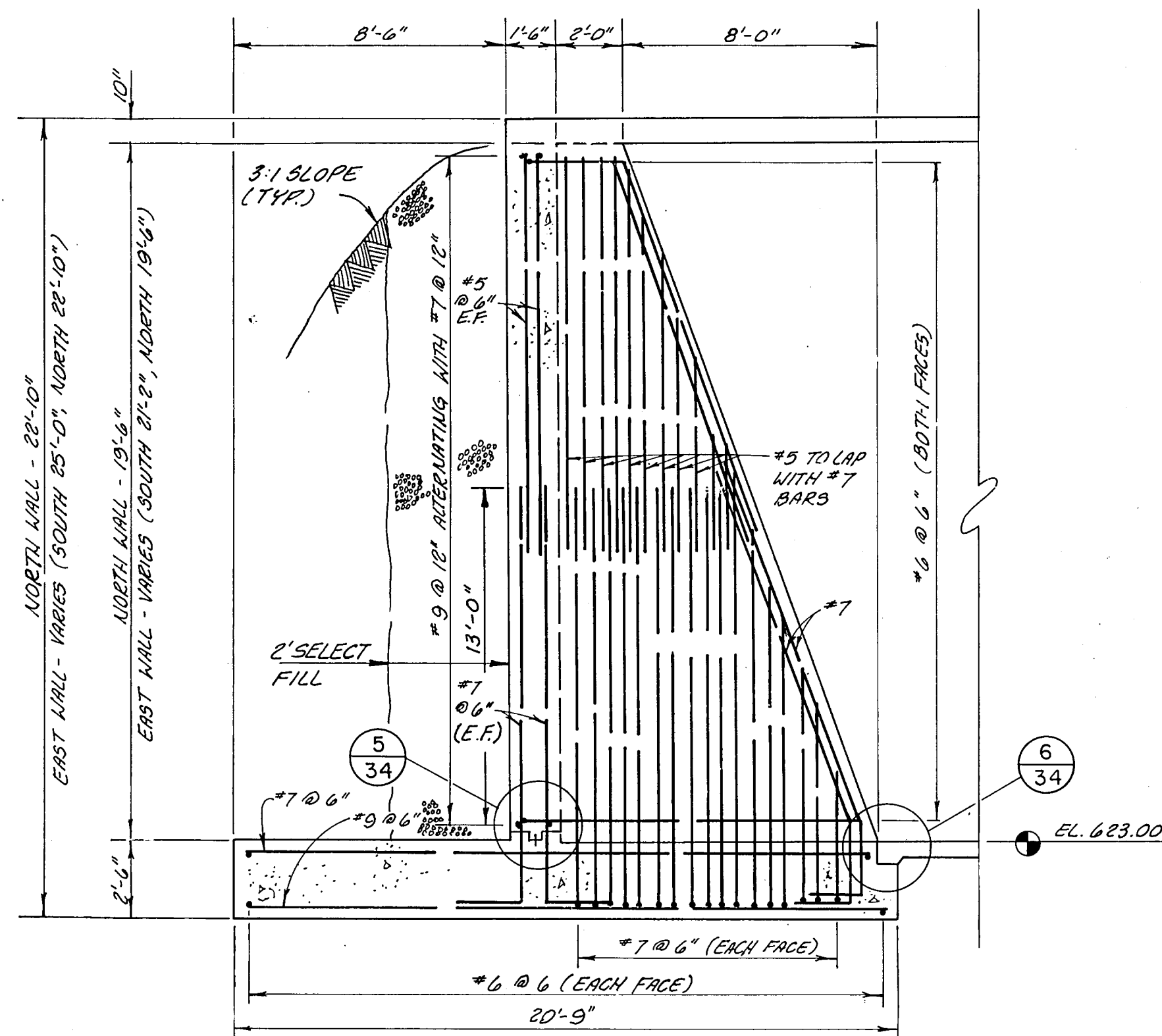
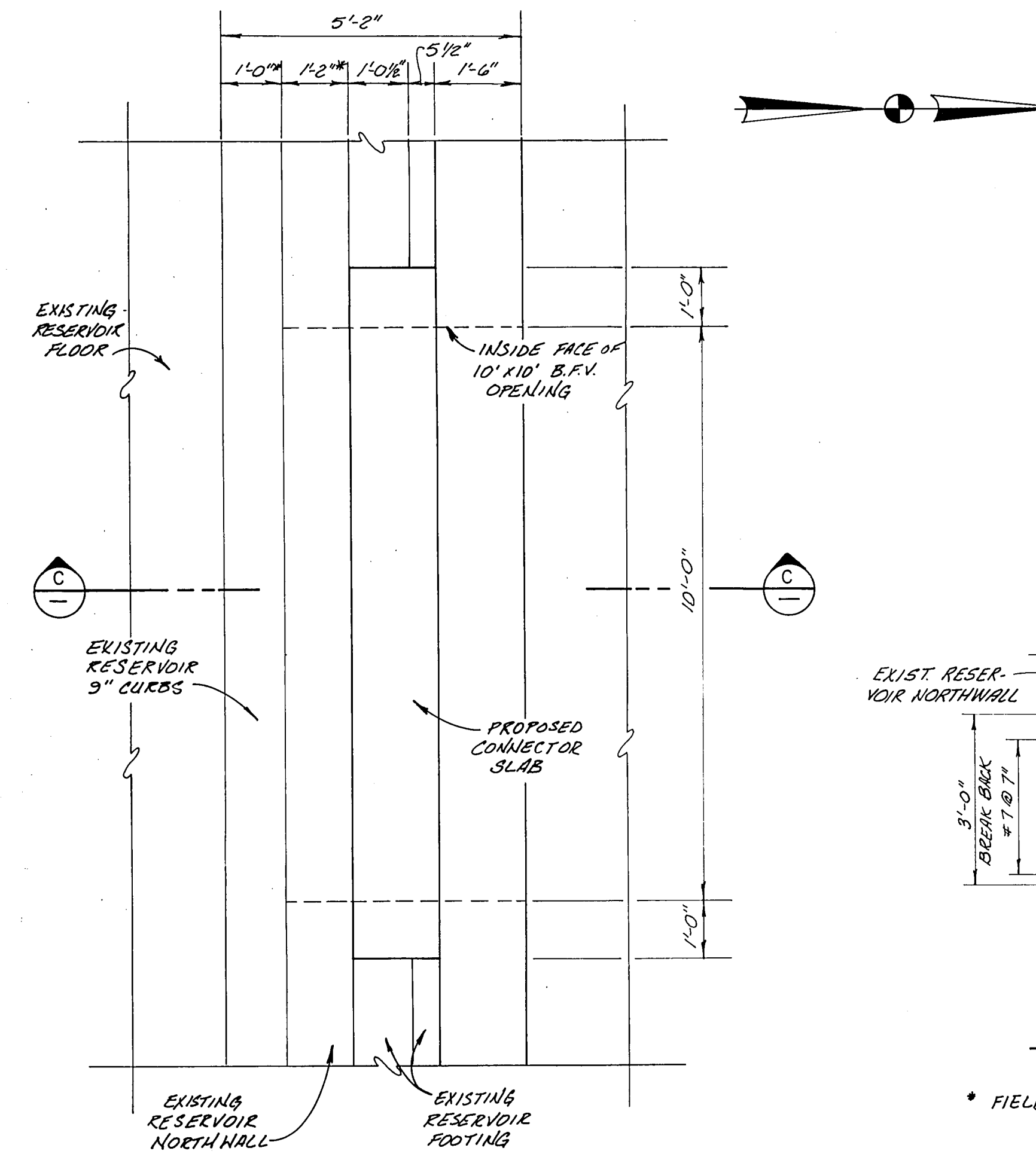


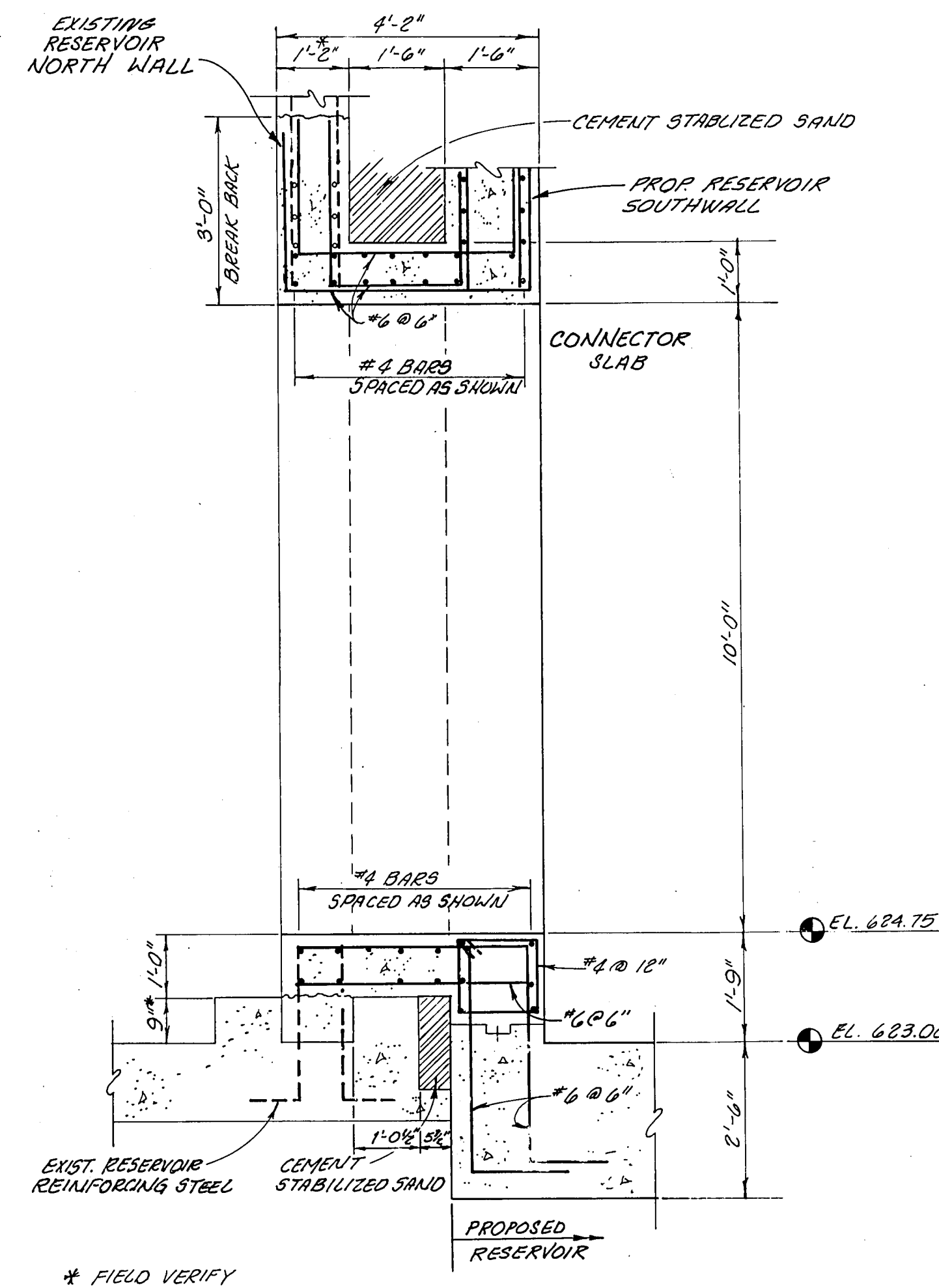
SECTION A
SCALE: 1/4" = 1'-0"



SECTION B
SCALE: 1/4" = 1'-0"

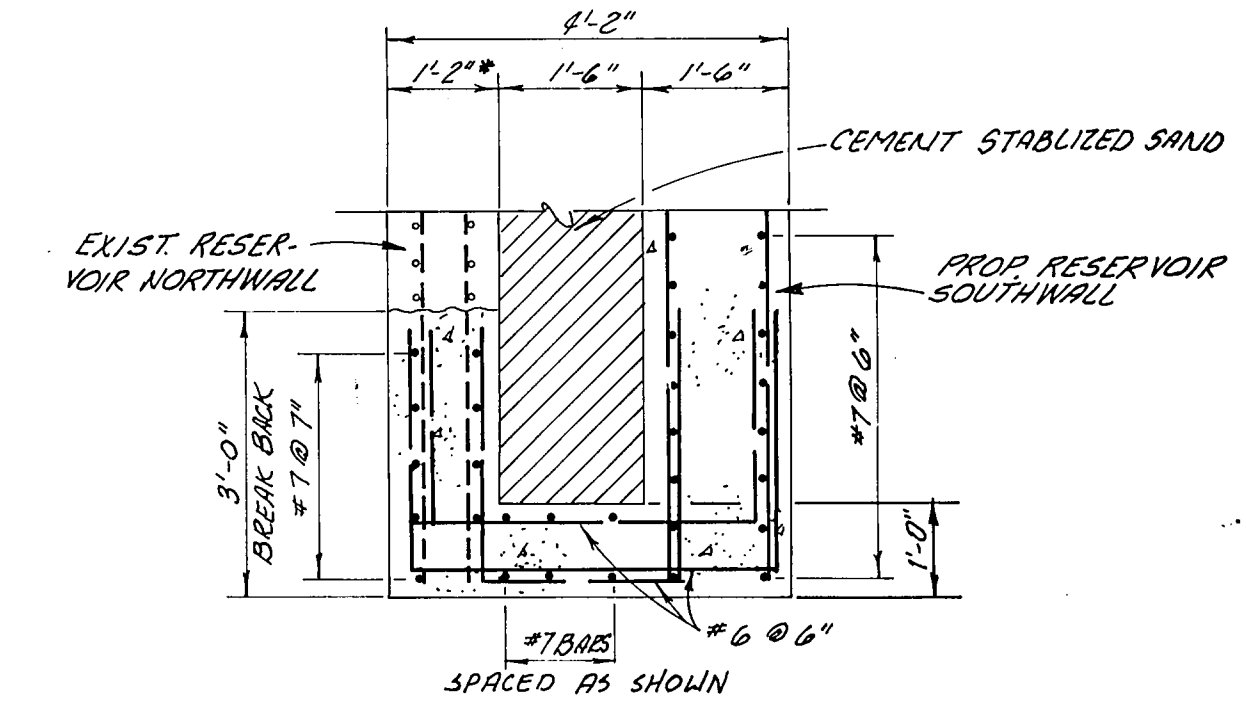


PLAN - RESERVOIR CONNECTION
SCALE: 1/2" = 1'-0"



SECTION C
SCALE: 1/2" = 1'-0"

- NOTES:
1. FOR STRUCTURAL NOTES & DETAILS, SEE SHEET 34 OF 44.
 2. ROOF SLAB REINFORCING STEEL NOT SHOWN FOR CLARITY.
 3. ALL OPENINGS TO HAVE EXTRA REINF. STEEL AS SHOWN IN DETAIL 3 ON SHEET 34 OF 44.
 4. STEEL REINF. LAP LENGTHS AS SHOWN IN DETAIL 1 ON SHEET 34 OF 44.
 5. ALL HOOK SHOWN TO BE STANDARD A.C.I. HOOKS.
 6. EXCAVATE WITHIN LIMITS OF PROPOSED RESERVOIR TO ROCK, EXCAVATED AREAS TO BE REPLACED WITH SELECT FILL PER SPECIFICATIONS.
 7. CEMENT STABILIZED SAND TO BE PLACED BETWEEN EXISTING AND PROPOSED RESERVOIR.



PLAN - RESERVOIR CONNECTION
REINFORCING STEEL

SCALE: 1/2" = 1'-0"

* FIELD VERIFY

NO.	DATE	REVISION	APPROVED
BELTWOOD RESERVOIR EXPANSION RESERVOIR - WALL SECTIONS			
DALLAS WATER UTILITIES CITY OF DALLAS, TEXAS			
Turner Collie & Braden Inc.			
DESIGN	FRW	CONTRACT NO.	89-79
DRAWN	C.A.	FILE NO.	630 Q 700 F
TRACED			
CHECKED			
DATE	5/89		
			SHEET NO. 30 OF 44

