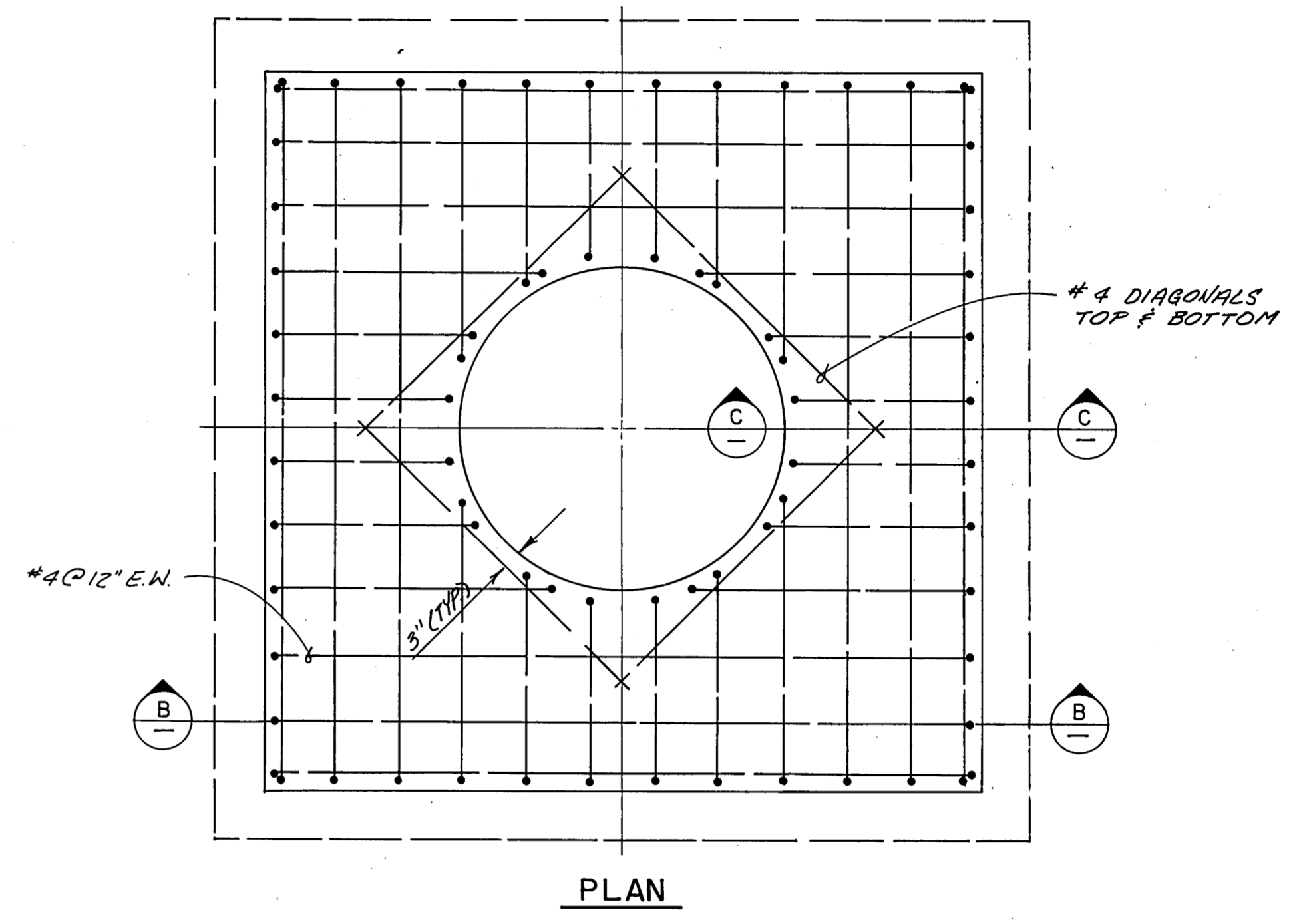
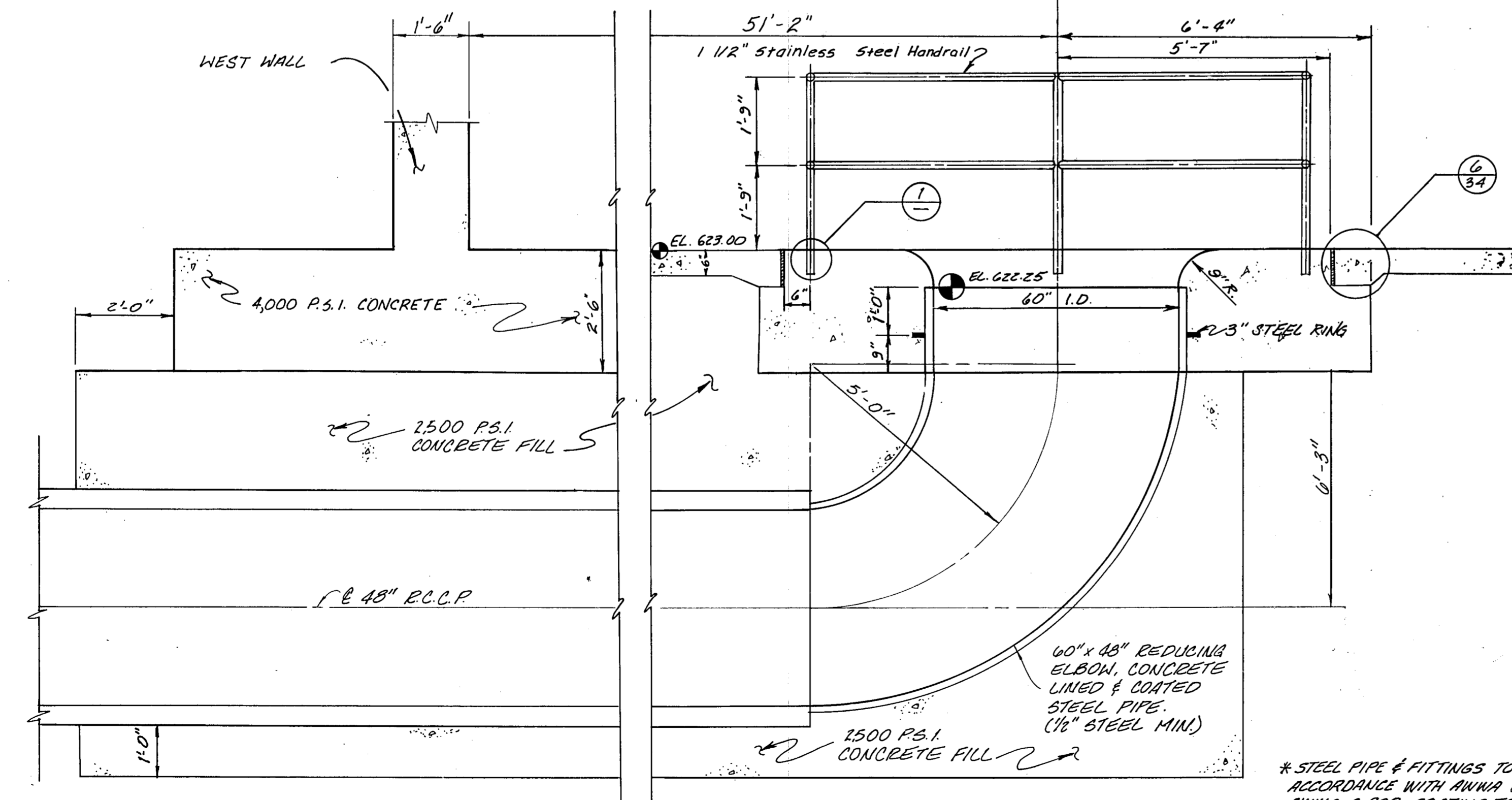
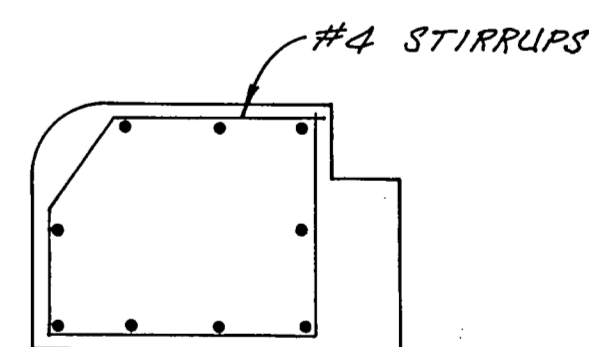
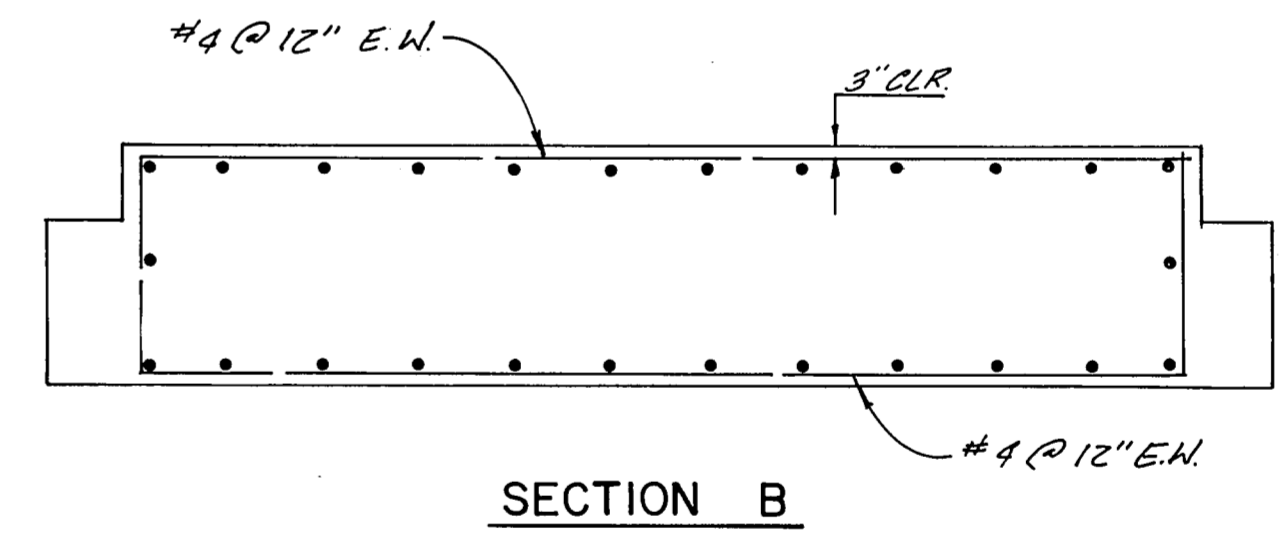


DETAIL
SCALE: 1/2" = 1'-0"

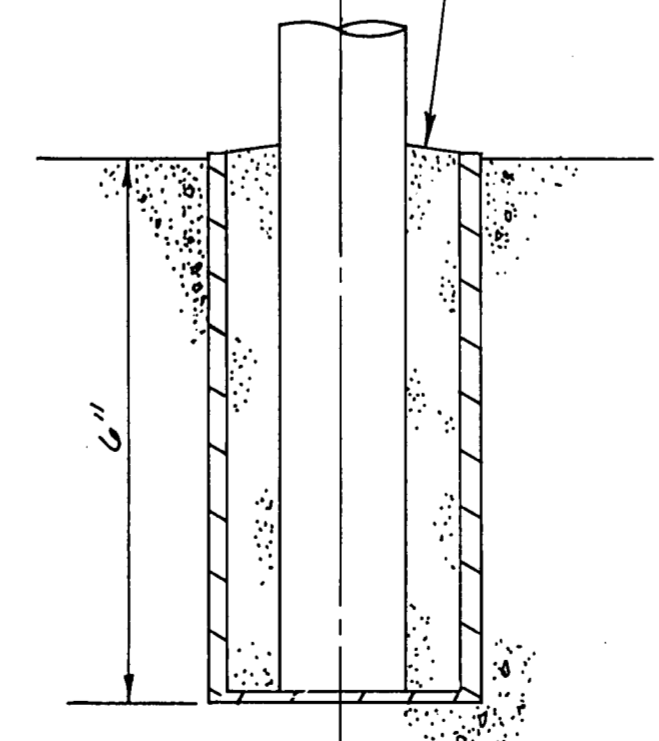


RESERVOIR INLET REINFORCEMENT



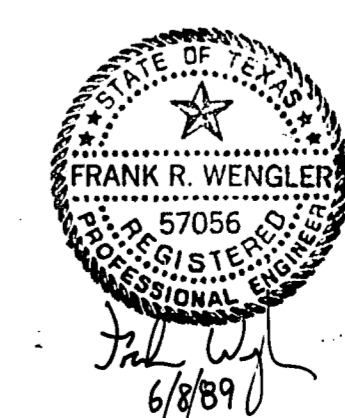
SECTION
SCALE: 1/2" = 1'-0"

1 1/2" STAINLESS STEEL HANDRAIL MOUNTED IN 2 1/2" STAINLESS STEEL PIPE SLEEVE W/ 1/8" E. WELDED ON BOTTOM. EPOXY GROUTED TO SECURE IN PLACE.



DETAIL
N.T.S.

* STEEL PIPE & FITTINGS TO BE IN ACCORDANCE WITH ANWWA C-200 & ANWWA C-208. COATING TO BE PER ANWWA C-205



NO.	DATE	REVISION	APPROVED
BELTWOOD RESERVOIR EXPANSION			
RESERVOIR - 48" Ø INLET CONNECTION			
DALLAS WATER UTILITIES CITY OF DALLAS, TEXAS			
TurnerCollie & Braden Inc.			
DESIGN	F.R.W.	CONTRACT NO.	SHEET NO.
DRAWN	C.A.	89-79	35
TRACED		FILE NO.	
CHECKED		630 Q 700 F	
DATE	5/89		OF 44