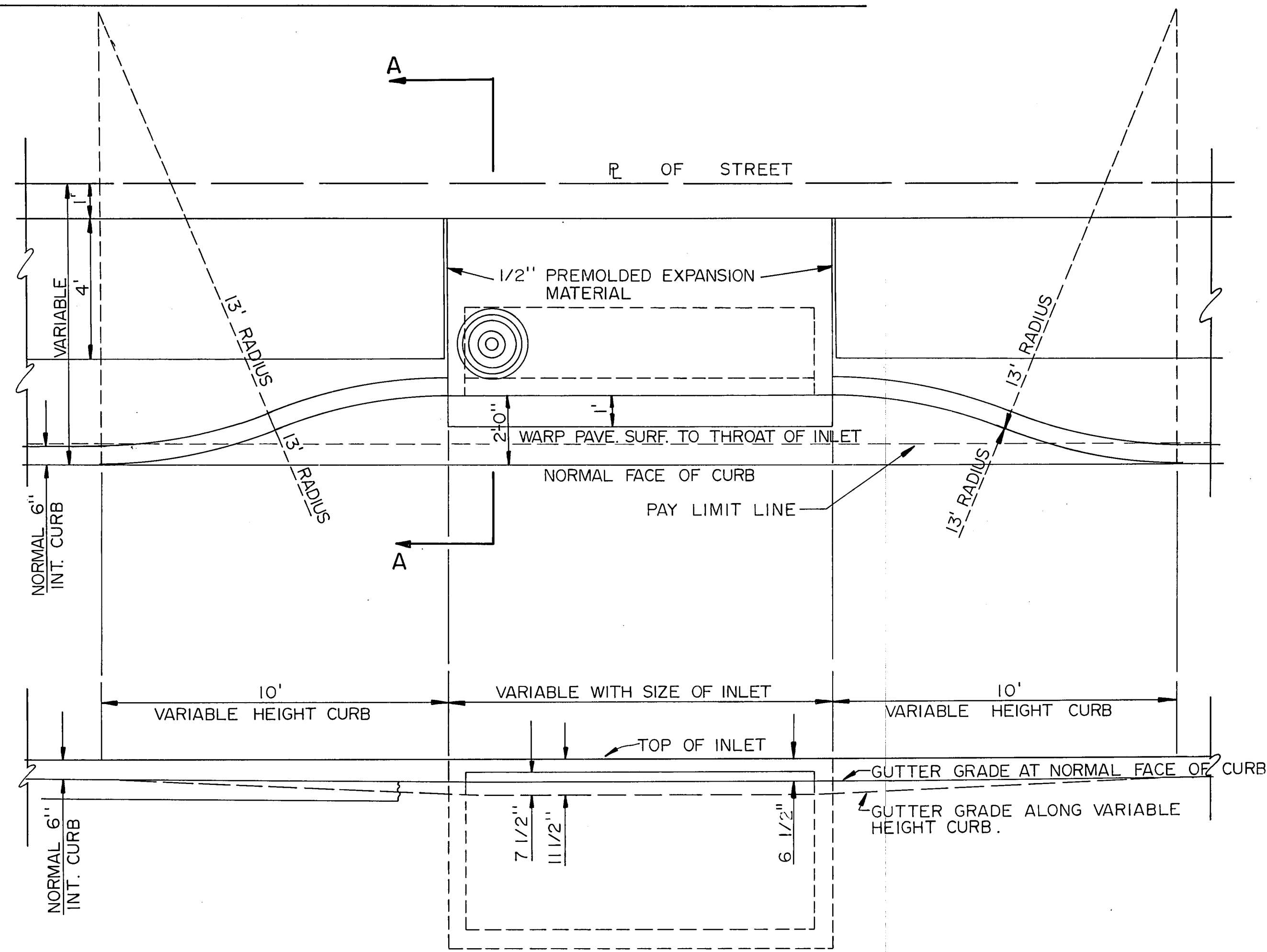
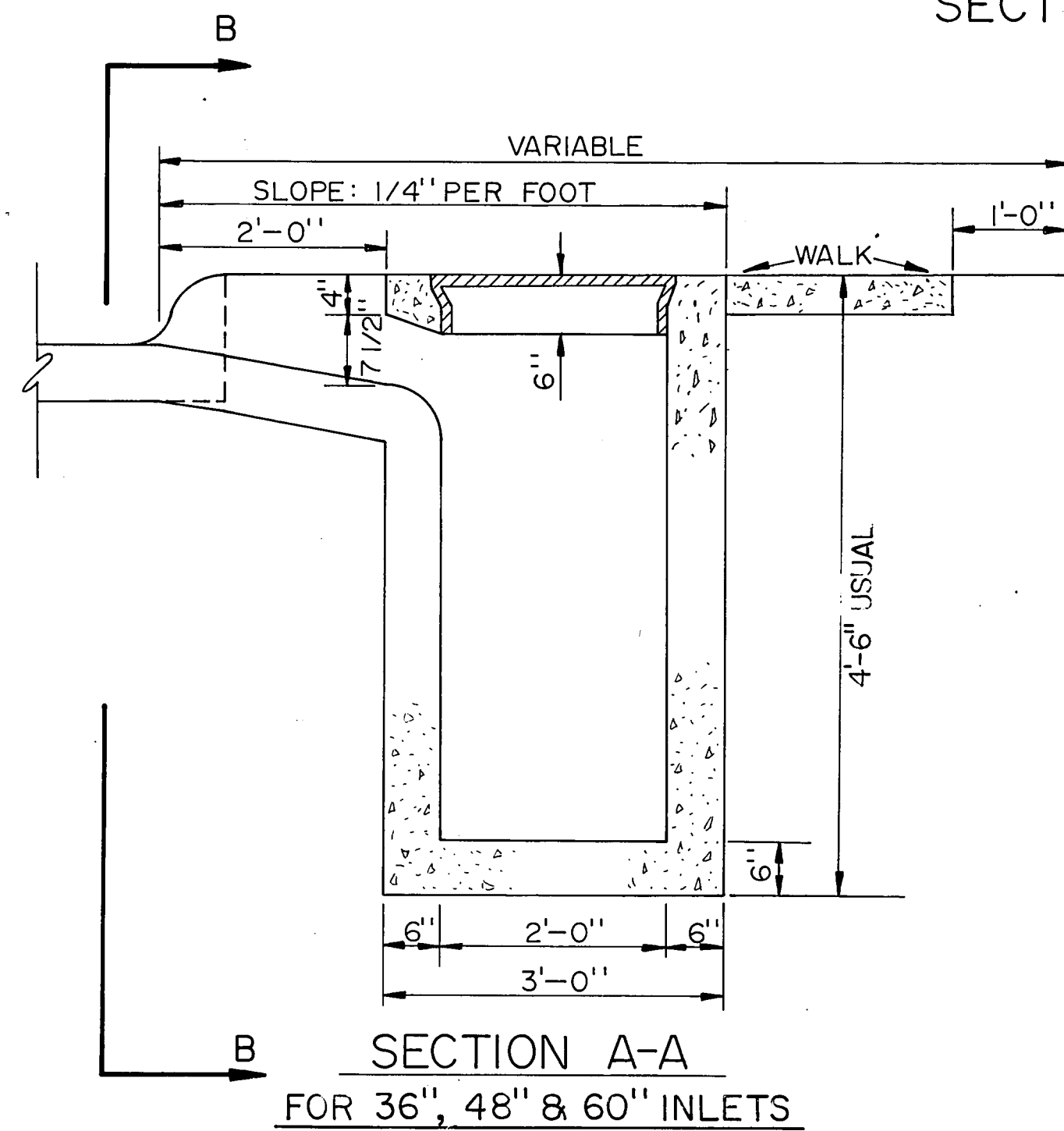


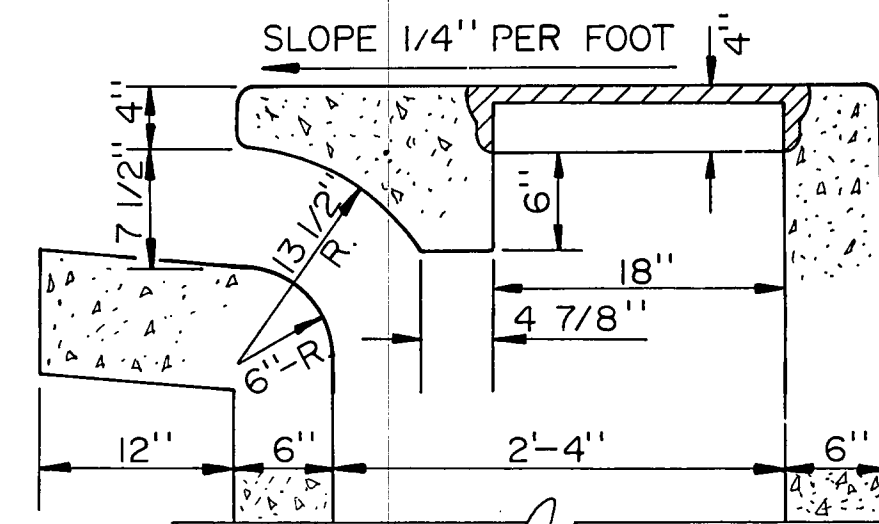
STANDARD RECESSED STORM DRAINAGE INLETS & CURBS



SECTION B-B



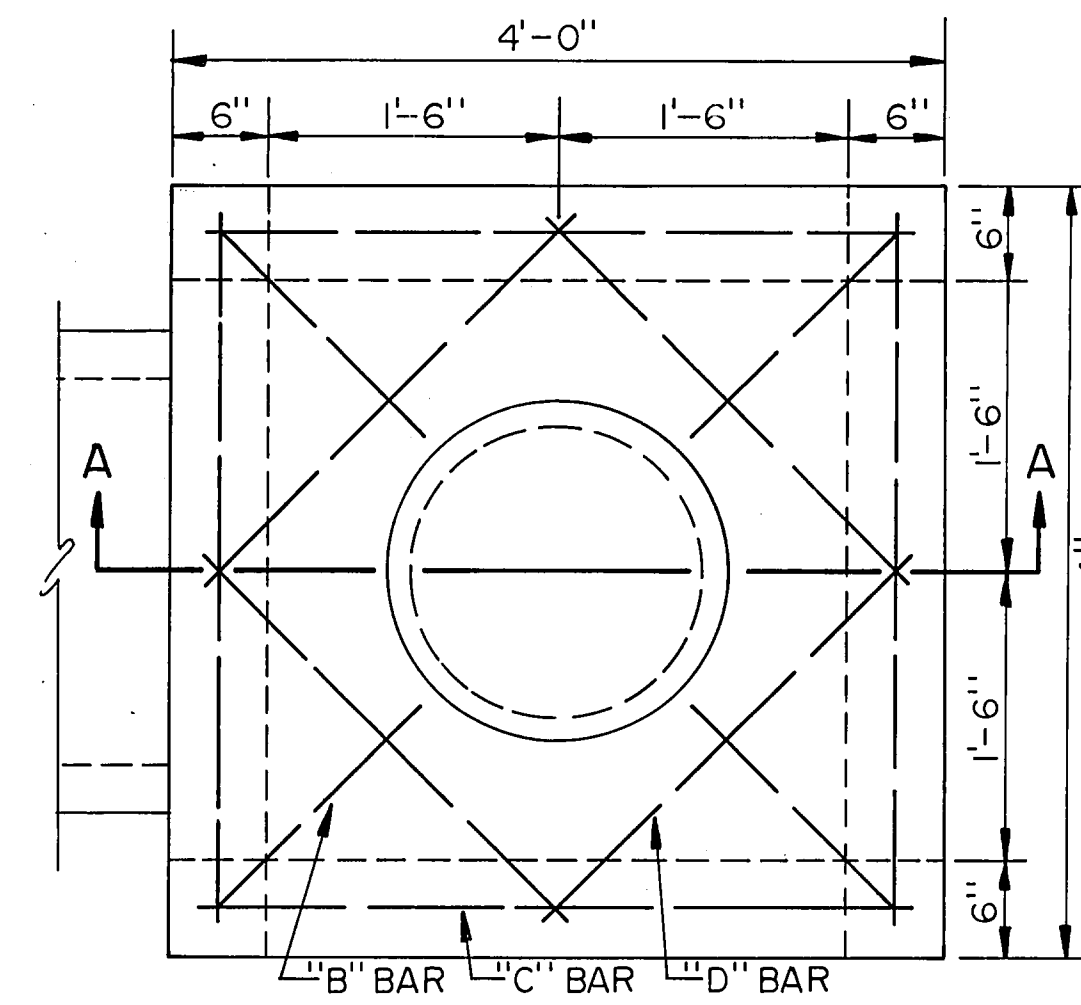
SECTION A-A FOR 36", 48" & 60" INLETS



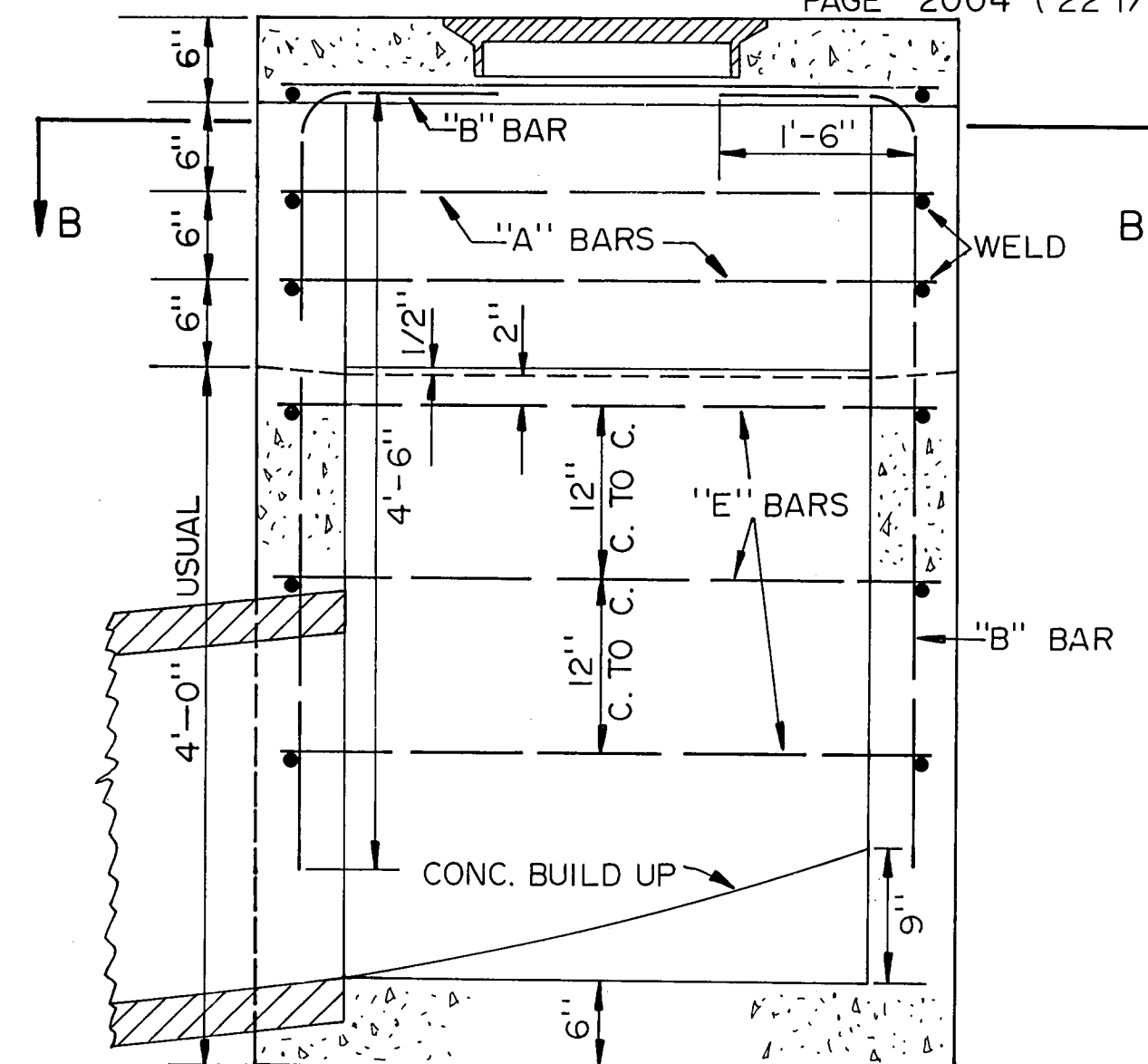
SECTION A-A FOR 6", 8" & 10" INLETS

NOTE: SEE PAGE 2004 FOR REINFORCING & BEAM DESIGN

SPECIAL "Y" INLET

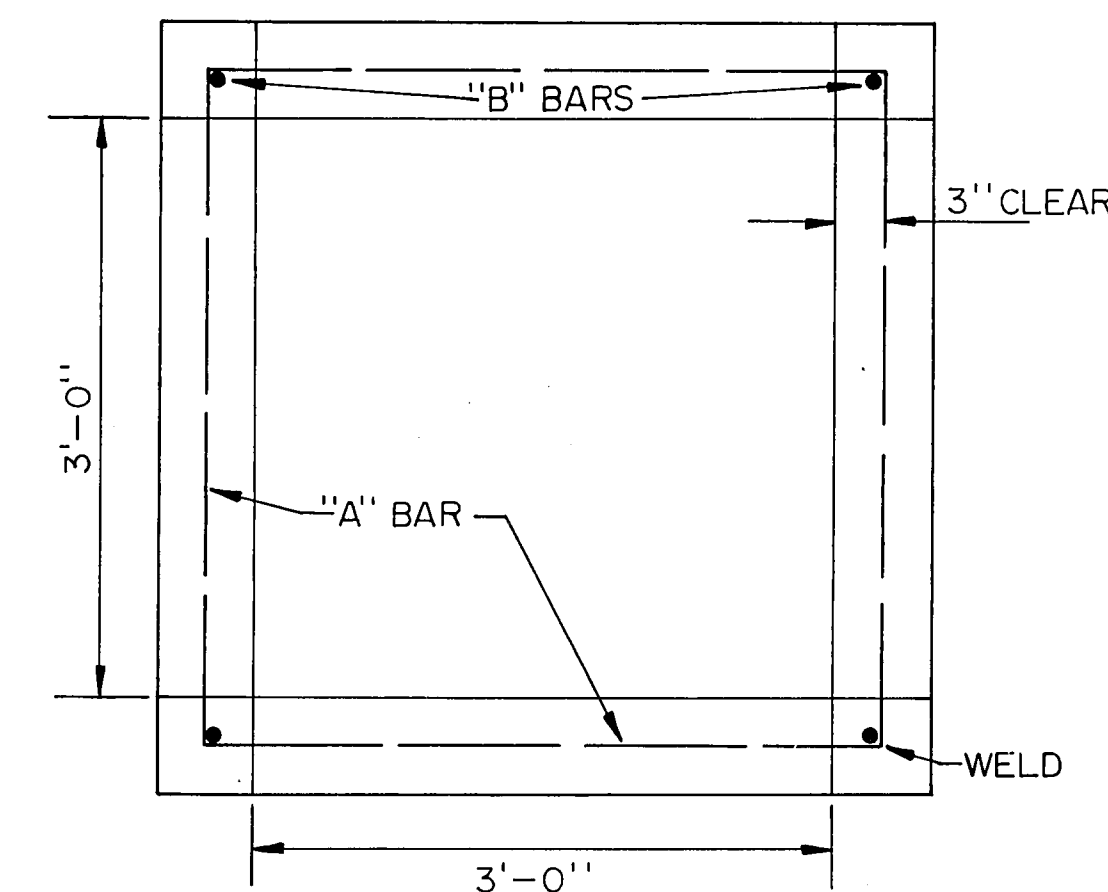


NOTES ALL CONCRETE TO BE 3000 P.S.I.
DEPTH OF INLETS MAY VARY TO SUIT CONDITIONS IN THE FIELD OR AS SPECIFIED ON PLANS.
USE CITY OF DALLAS STANDARD INLET FRAME & COVER PAGE 2004 (22 1/8" FRAME)



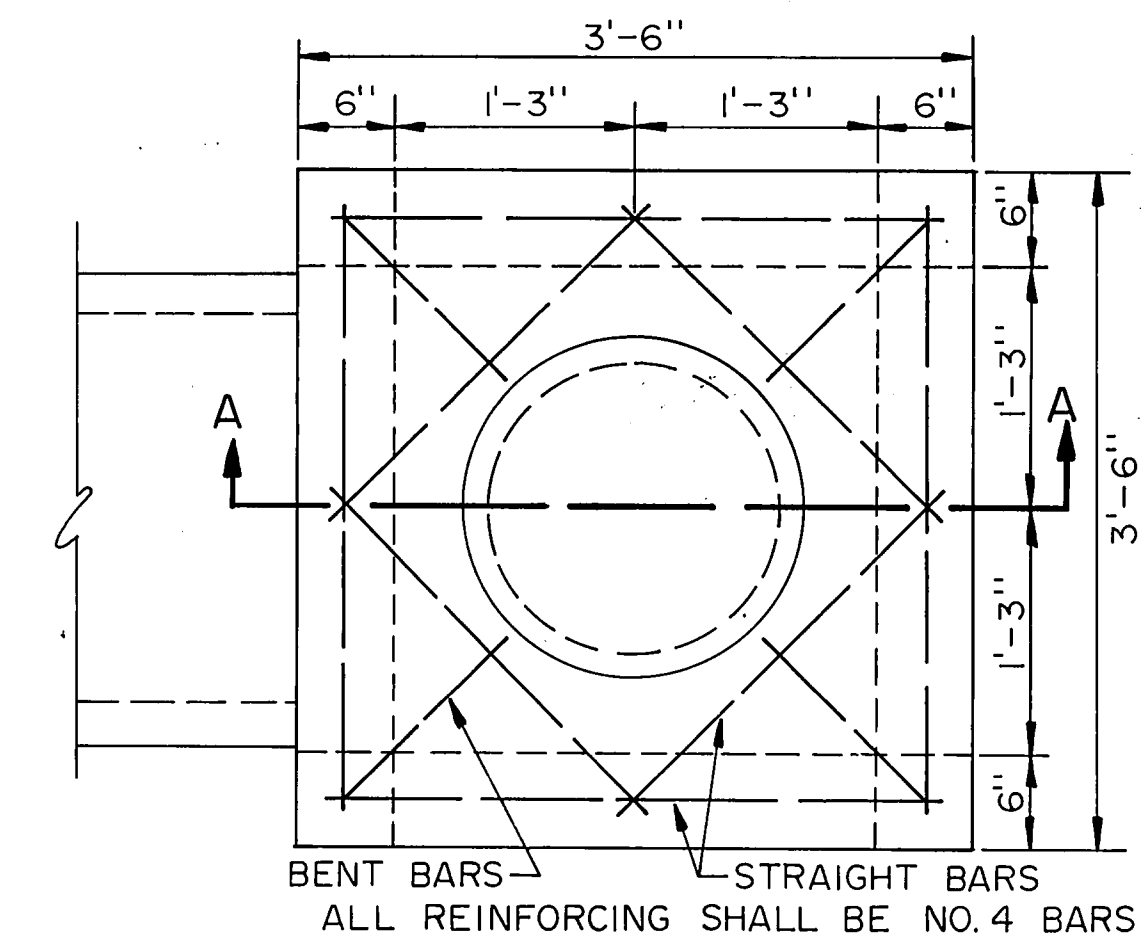
SECTION A-A

"A" BARS SHALL BE NO. 8 BARS PLACED AS SHOWN & WELDED AT EACH CORNER OF THE INLET.
ALL OTHER BARS SHALL BE NO. 5 BARS PLACED AS SHOWN.

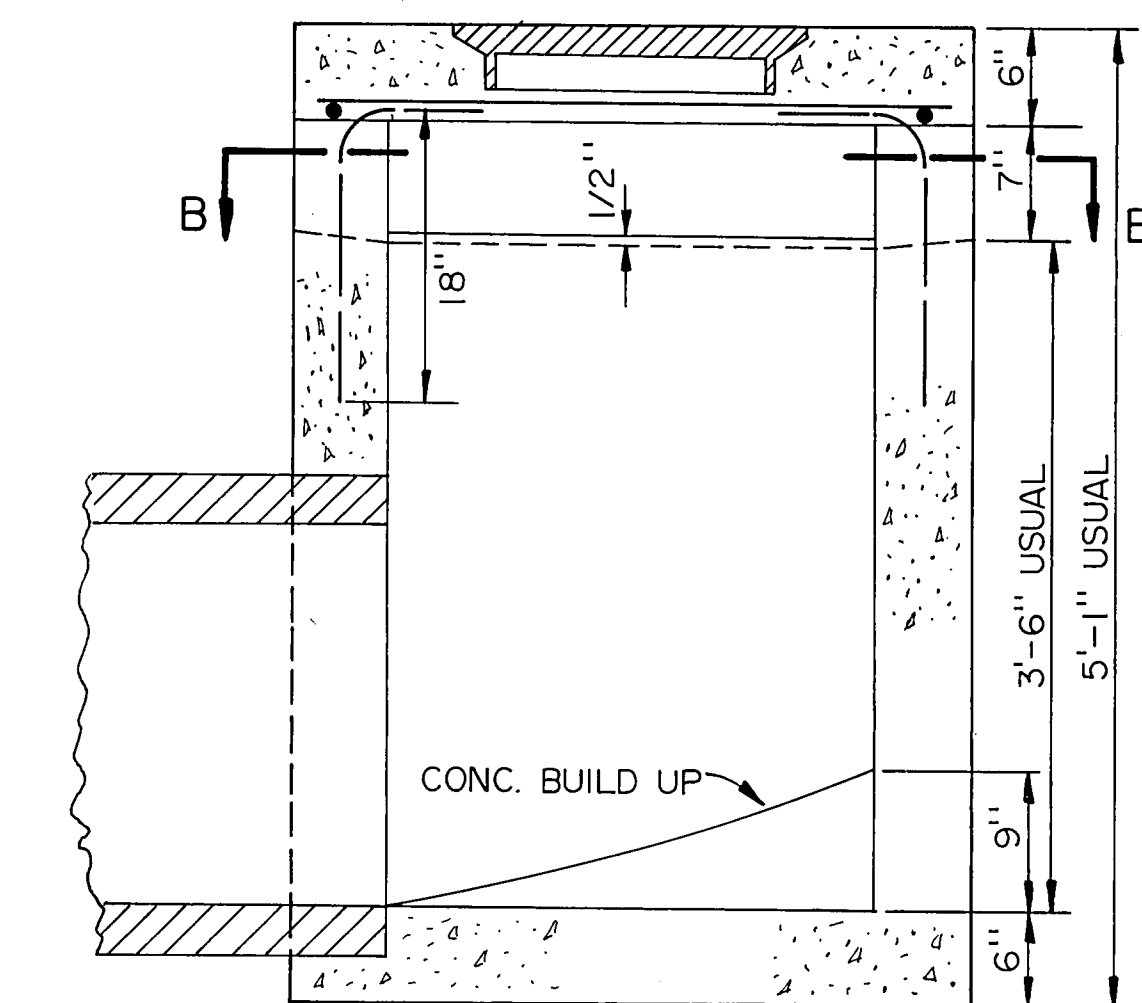


SECTION B-B

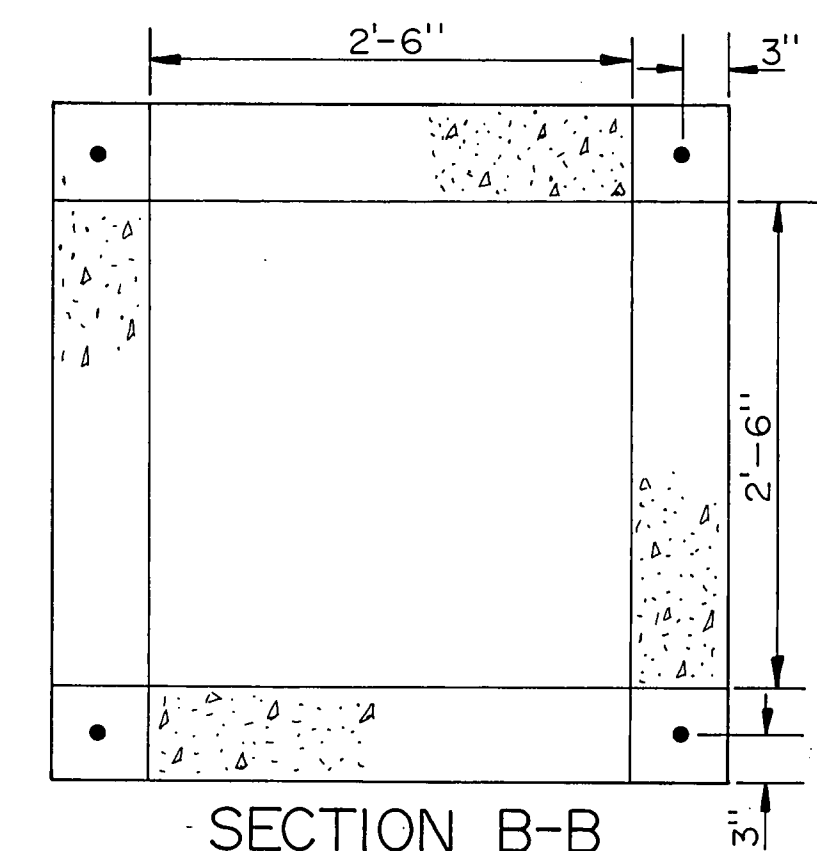
STANDARD TYPE "Y" INLET



BENT BARS STRAIGHT BARS
ALL REINFORCING SHALL BE NO. 4 BARS.



SECTION A-A



SECTION B-B

APPROVED DIRECTOR OF PUBLIC WORKS

DATE

DRAINAGE DETAILS					
STANDARD INLETS & CURBS					
"Y" TYPE INLETS					
DEPARTMENT OF PUBLIC WORKS					
CITY OF DALLAS, TEXAS					
DESIGN	DRAWN	DATE	FILE	NO.	PAGE NO.
CITY OF DALLAS		MAY 1980	251D	1	2001

44B
44