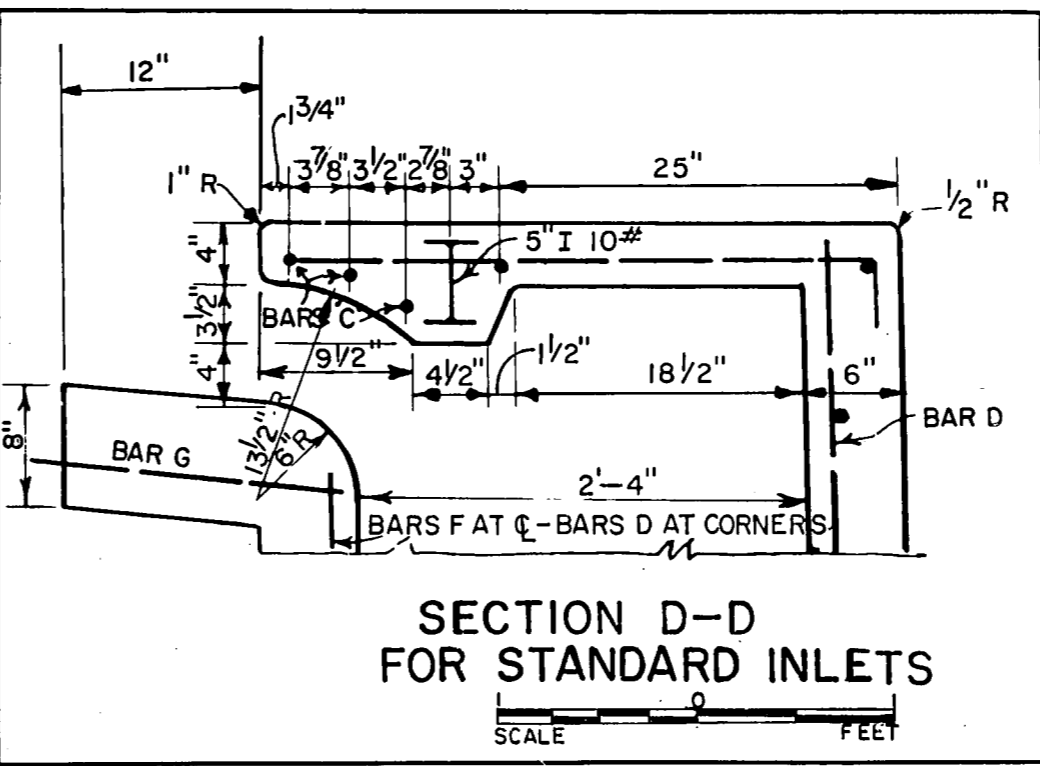


36, 48 AND 60 INCH INLETS

6, 8 AND 10 FOOT INLETS

NOTES APPLICABLE TO ALL INLETS:
 CONCRETE SHALL HAVE A MINIMUM COMPRESSIVE STRENGTH OF 3000 PSI. AT 28 DAYS.
 LATE'AL PIPE MAY ENTER INLET AT ANY LOCATION.
 REINFORCEMENT, STRUCTURAL STEEL AND CASTINGS SHALL CONFORM TO THE SPECIFICATIONS
 TOP OF INLET SLOPE SHALL CONFORM TO ADJACENT PARKWAY NORMAL 1/4" / FT. SLOPE.
 ALTERNATE CONSTRUCTION:
 ALTERNATE PRECAST INLETS MAY BE APPROVED ON AN INDIVIDUAL BASIS. PRECAST INLETS SHALL BE OF EQUAL OR BETTER STRENGTH, MATERIAL, AND WORKMANSHIP AND SHALL MEET THE STANDARD DESIGN CRITERIA OF THE CAST-IN-PLACE INLETS SHOWN IN THESE DETAILS.



APPROVED
 DATE
 DIRECTOR OF PUBLIC WORKS

DRAINAGE DETAILS
 36, 48 AND 60 INCH INLETS
 6, 8 AND 10 FOOT INLETS
 DEPT. OF PUBLIC WORKS
 CITY OF DALLAS, TEXAS

DESIGN	DRAWN	DATE	FILE	NO.	PAGE NO.
CITY OF DALLAS	MARCH 19 80	25ID	1	2004	

44C
 44