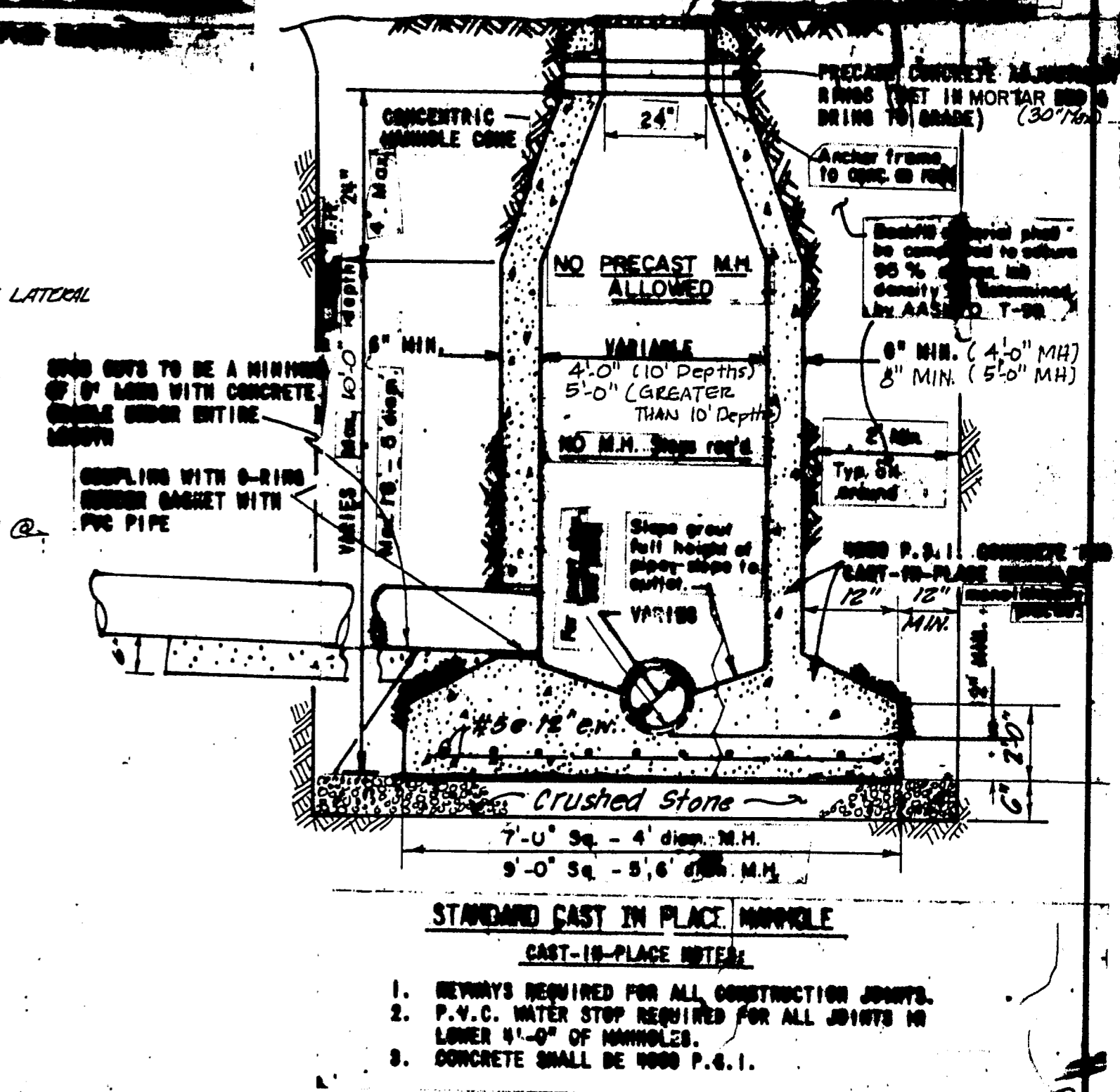
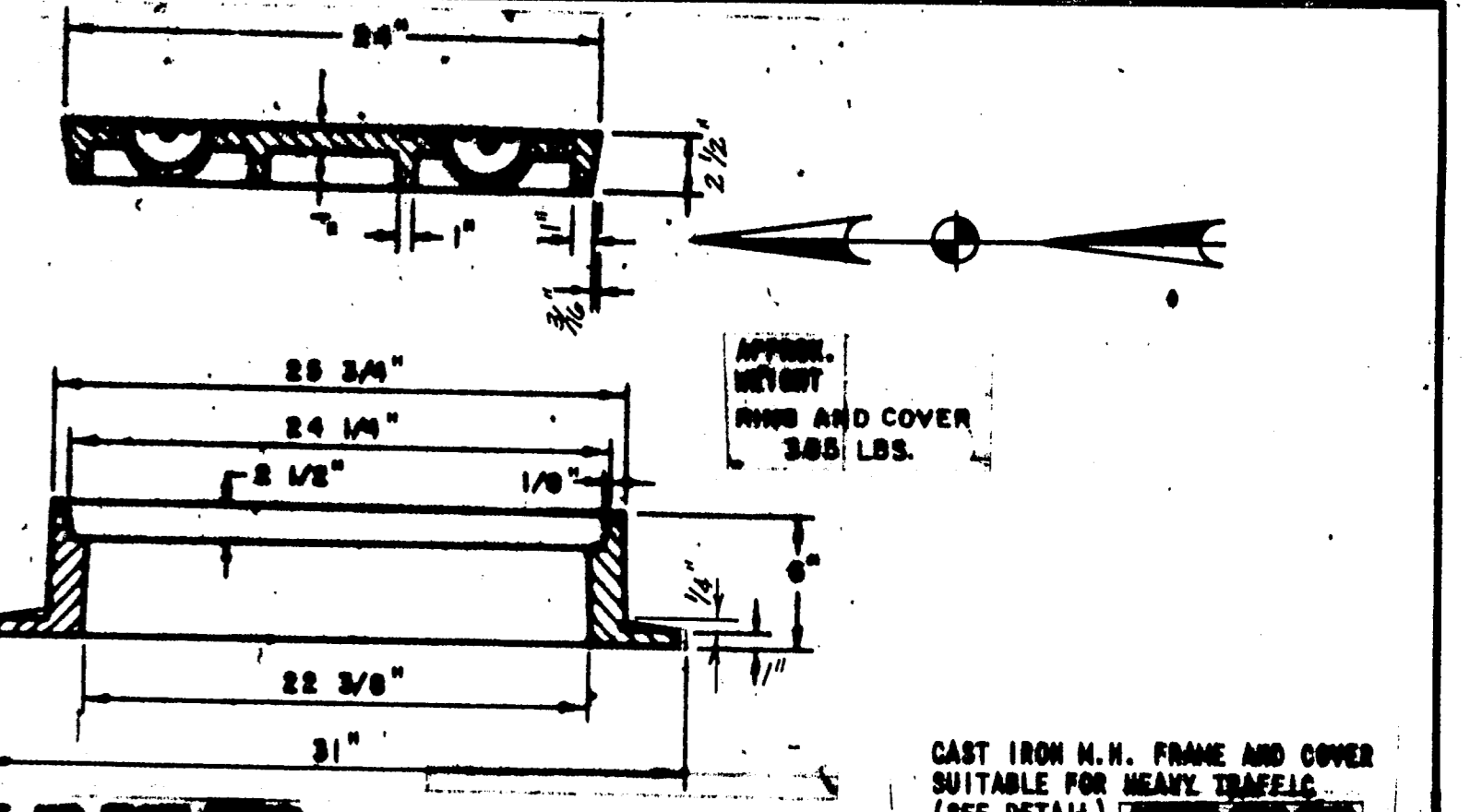
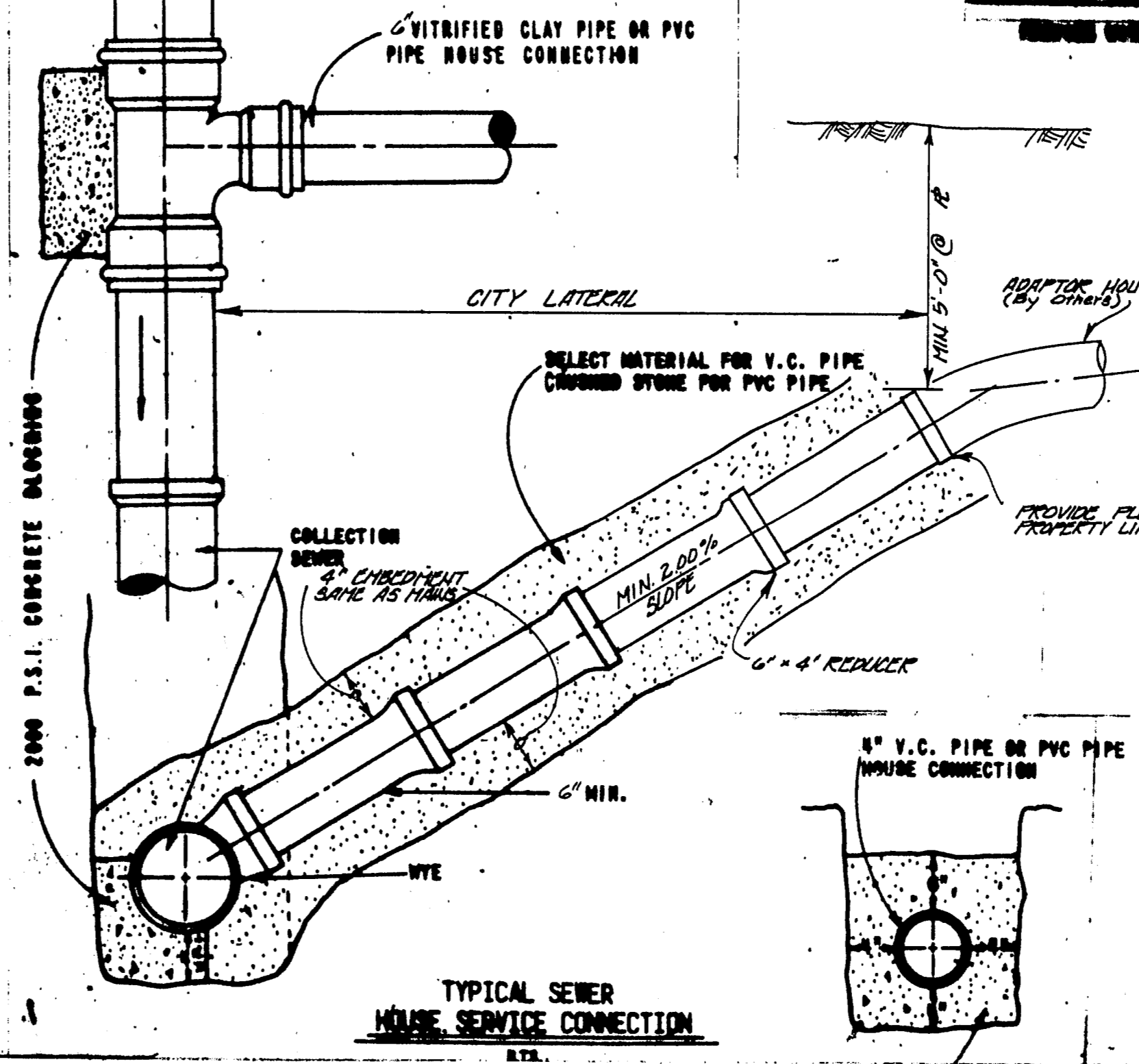


CAUTION!
Underground Gas Main in This Area.
Contact Lone Star Gas Company 2
Working Days Prior To Construction.
Call MR. Leon Weatherford At
276-1171

Contractor Shall Notify Dallas
Water Utilities Construction
Inspection At 670-8700 At
Least 48 Hours Prior To
The Start Of Construction.

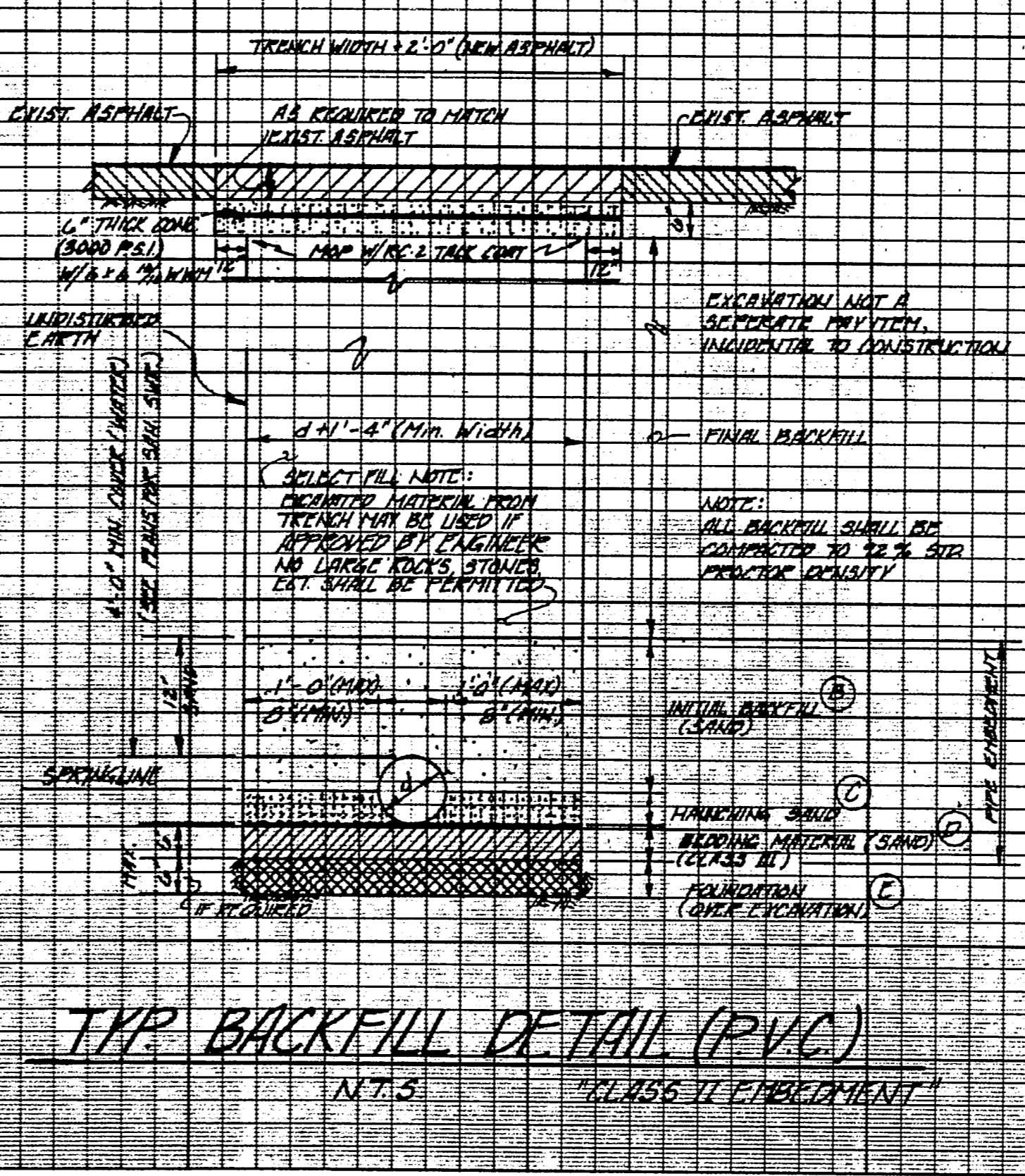
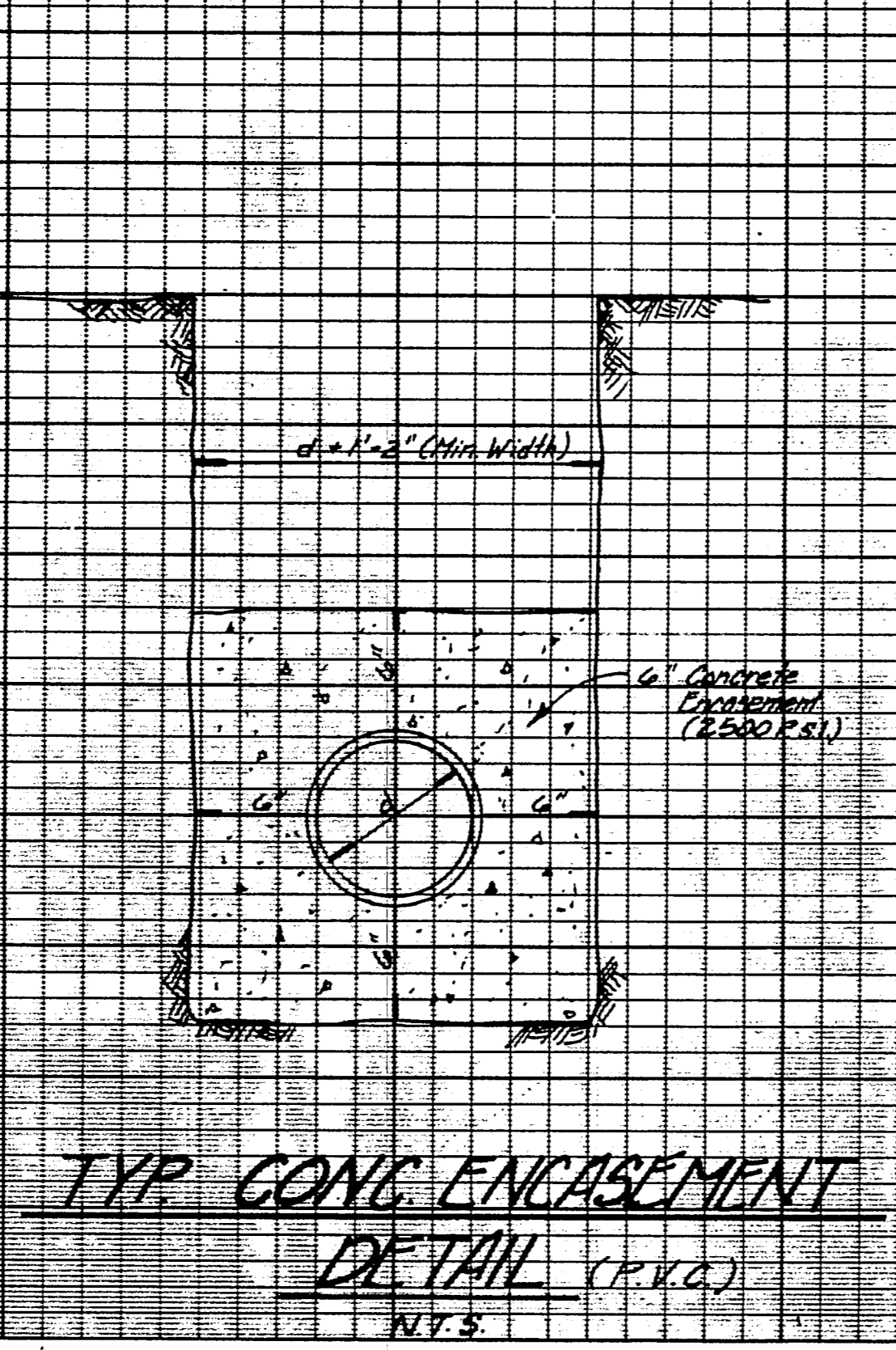
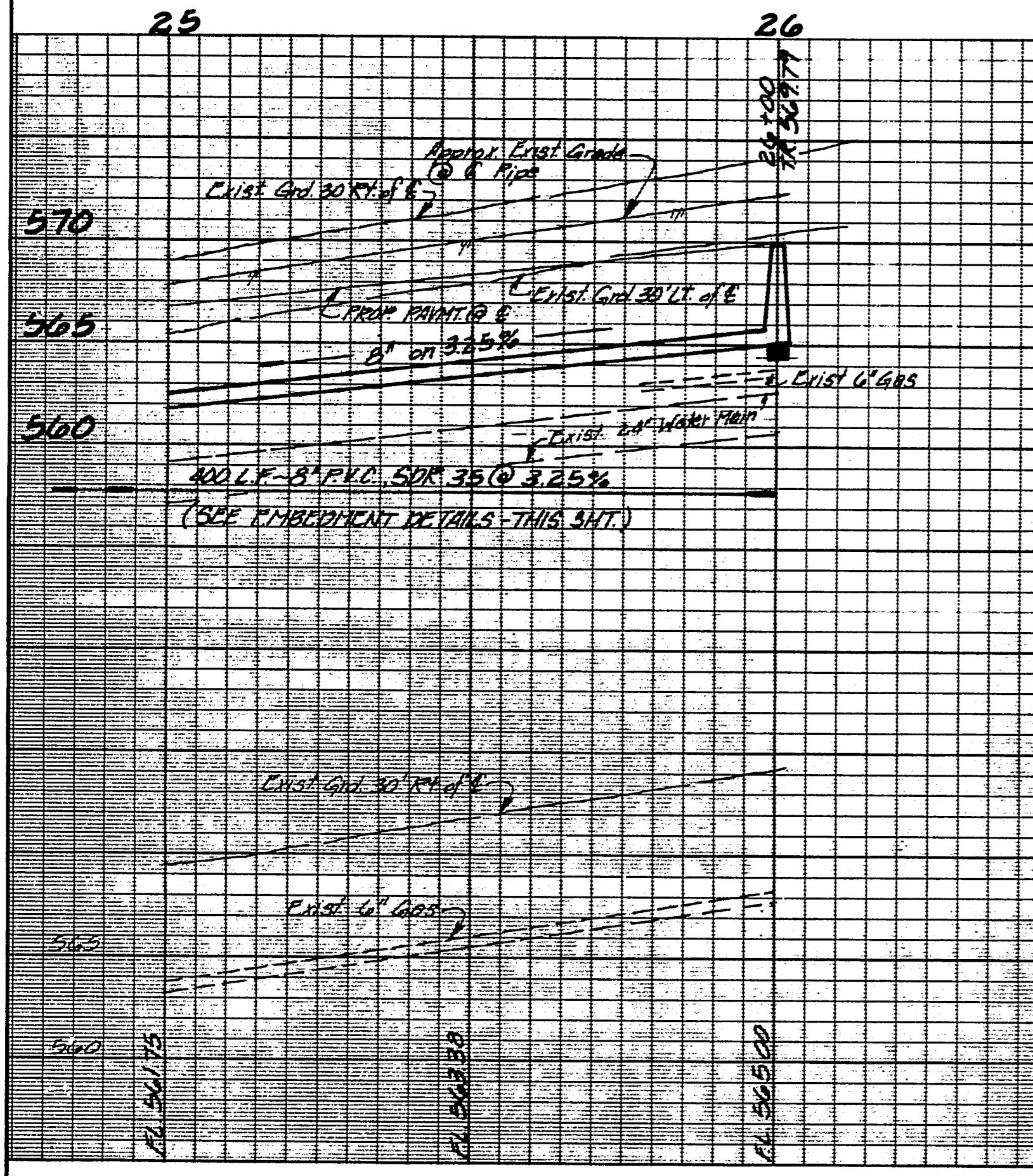
B.M. ~ "C" Cut on edge of concrete
porch of Church at 3555 Celestial
ELEV. 577.95 (m.s.l.)



NOTE: 6\"/>

- A. FINAL BACKFILL - FINAL BACKFILL SHALL CONSIST OF APPROVED MATERIAL PLACED IN 6\"/>
- B. INITIAL BACKFILL - INITIAL BACKFILL SHALL CONSIST OF SAND MATERIAL HAULED IN FROM APPROVED SOURCE, AND SHALL BE PLACED FROM THE SPRINGLINE OF THE PIPE TO A MINIMUM OF 12\"/>
- C. HAUNCHING - HAUNCHING MATERIAL SHALL BE SAND SIMILAR TO INITIAL BACKFILL ABOVE, PLACED AND CONSOLIDATED UNDER THE PIPE HAUNCH UP TO THE SPRINGLINE OF THE PIPE, WITH MECHANICAL/HARD TAMPERS TO SECURE 95% STANDARD PROCTOR DENSITY. TESTING SHALL BE COMPLETED PRIOR TO BACKFILLING. DENSITY TESTING WILL BE PAID FOR BY THE OWNER. CALLED DENSITIES WILL BE PAID FOR BY THE CONTRACTOR.
- D. BEDDING MATERIAL - BEDDING MATERIAL IS REQUIRED TO BRING TRENCH BOTTOM TO GRADE, AND TO PROVIDE UNIFORM AND ADEQUATE SUPPORT UNDER THE PIPE. FINISHED COMPACTED DEPTH SHALL BE 6\"/>
- E. FOUNDATION - FOUNDATION MATERIALS, IF OVER EXCAVATION OCCURS OR UNSTABLE SOILS OCCUR IN TRENCH BOTTOM, SHALL CONSIST OF MANUFACTURED ANGULAR, GRANULAR MATERIAL 1/4\"/>

DESIGNED BY **GIANNI INC.** DATE **OCT '85**
(NAME OF FIRM)
R.O.W. APPROVED: **TOWN OF ADDICKS** DATE **OCT '85**
ENGINEER OF DESIGN: **AL WELLS** DATE **JAN '86**
(DALLAS WATER UTILITIES)
CONTRACT NO. **86-95/46-F** DATE **JAN '86**
CONTRACTOR: **ED BELL CONSTR.** DATE **JAN '86**



**WATER & SANITARY SEWER
WINNWOOD RD. SAN. SWR. IMPROVEMENTS
PLAN & PROFILE**
WATER UTILITIES DEPARTMENT
CITY OF DALLAS, TEXAS

DESIGN	DRAWN	DATE	SCALE	NOTES	FILE	NO.
G.F.	A.L.A.	OCT. 1985	1" = 20'H 1" = 6'V		411 Q	1960