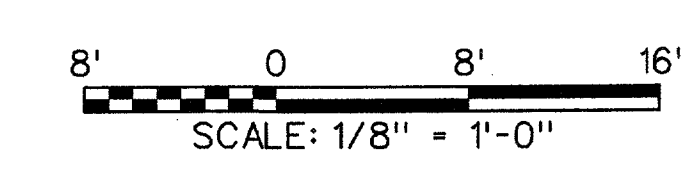
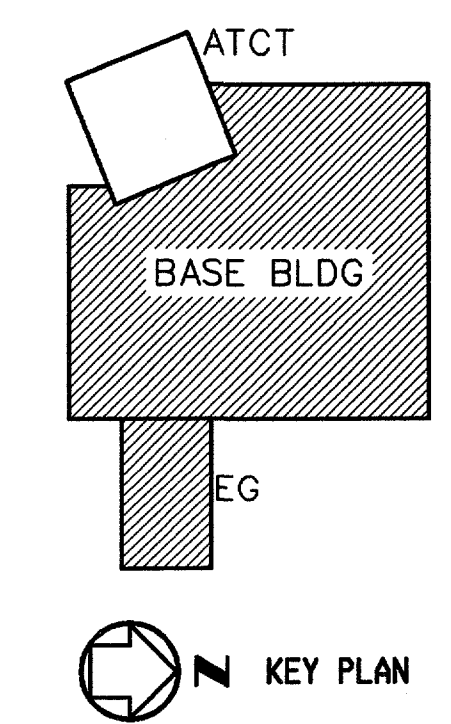
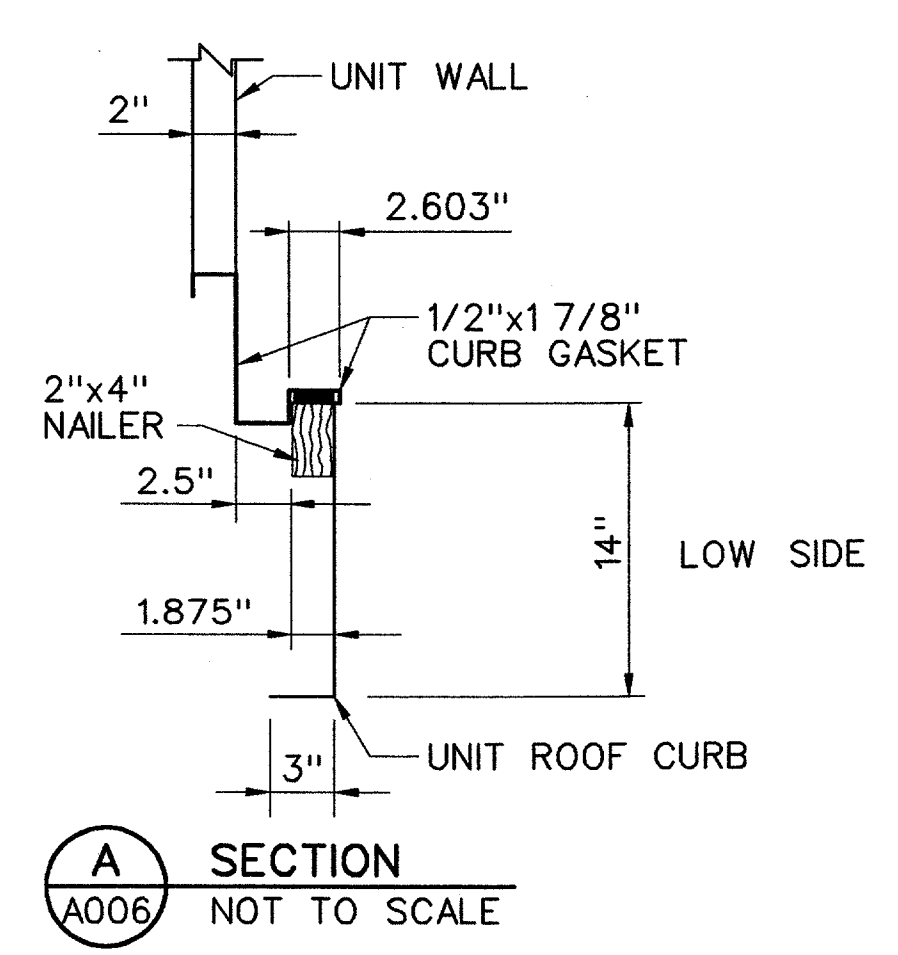
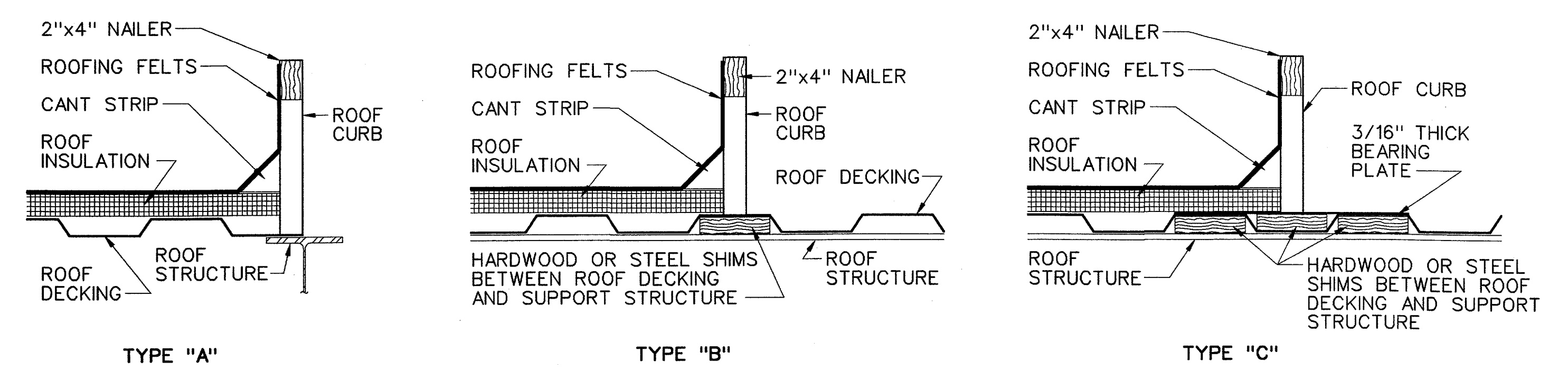
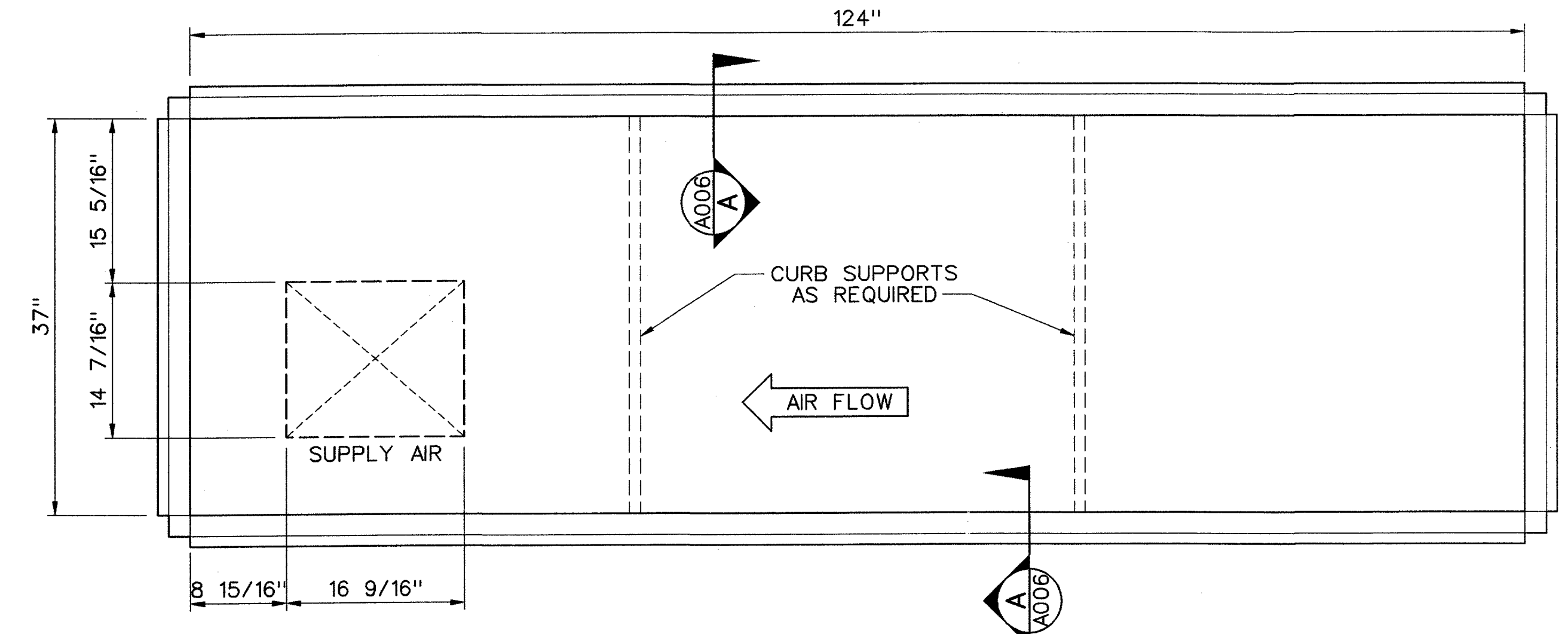


- NOTES:**
1. ROOF CURB SHIPPED IN PIECES FOR FIELD ASSEMBLY.
  2. ROOF CURB MUST BE INSTALLED SQUARE AND LEVEL.
  3. CURB MATERIAL IS 14 GAUGE GALVANIZED, NOT PAINTED.

- GENERAL NOTES:**
1. REFERENCE SHEET A001 FOR ARCHITECTURAL GENERAL NOTES AND BUILDING STATISTICS.
  2. REFERENCE SHEET G003 FOR ABBREVIATIONS AND SHEET G004 FOR LEGENDS.



A		06-23-03	FAA REDESIGN OF HVAC, JON 21874.	9700164	06-23-03	
REV	DATE	DESCRIPTION		JCN	REDLINE DATE	APVD
DEPARTMENT OF TRANSPORTATION <b>FEDERAL AVIATION ADMINISTRATION</b> FORT WORTH IMPLEMENTATION CENTER FORT WORTH, TX LOW ACTIVITY LEVEL ATCT <b>ROOF PLAN</b> BASE-EG BUILDING						
ADDISON		ADDISON AIRPORT		TX		
REVIEWED BY	SUBMITTED BY	APPROVED BY				
	Edward Hackett	[Signature]				
DESIGNED	ED HACKETT	ISSUED BY	DATE	06-23-03	JCN	9700164
DRAWN	ED/KS	NAS IMPLEMENTATION	DRAWING NO	9700164		
CHECKED		ANI-600	ANSI	REV		
			ADS-D-ATCT-A006			