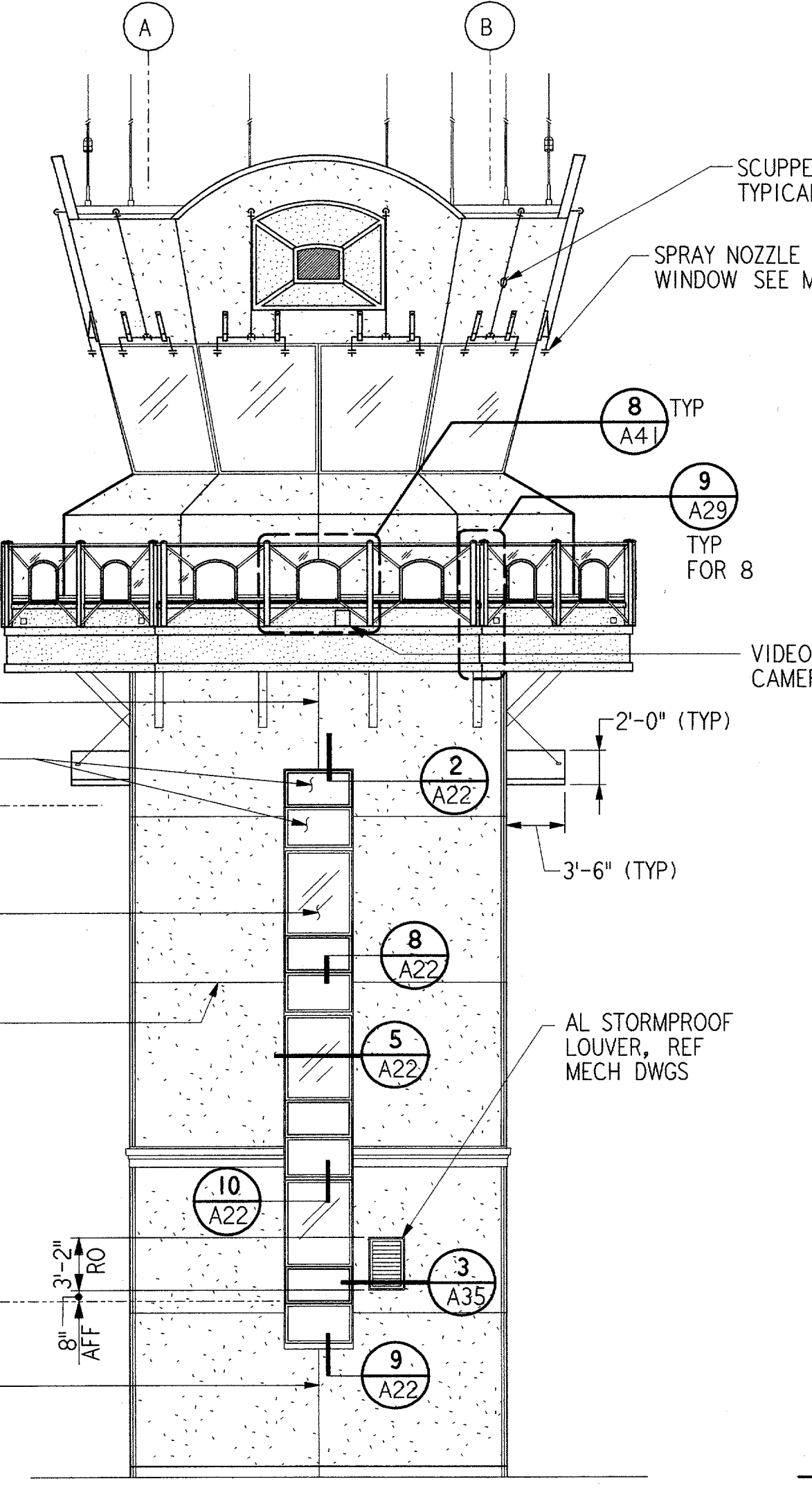
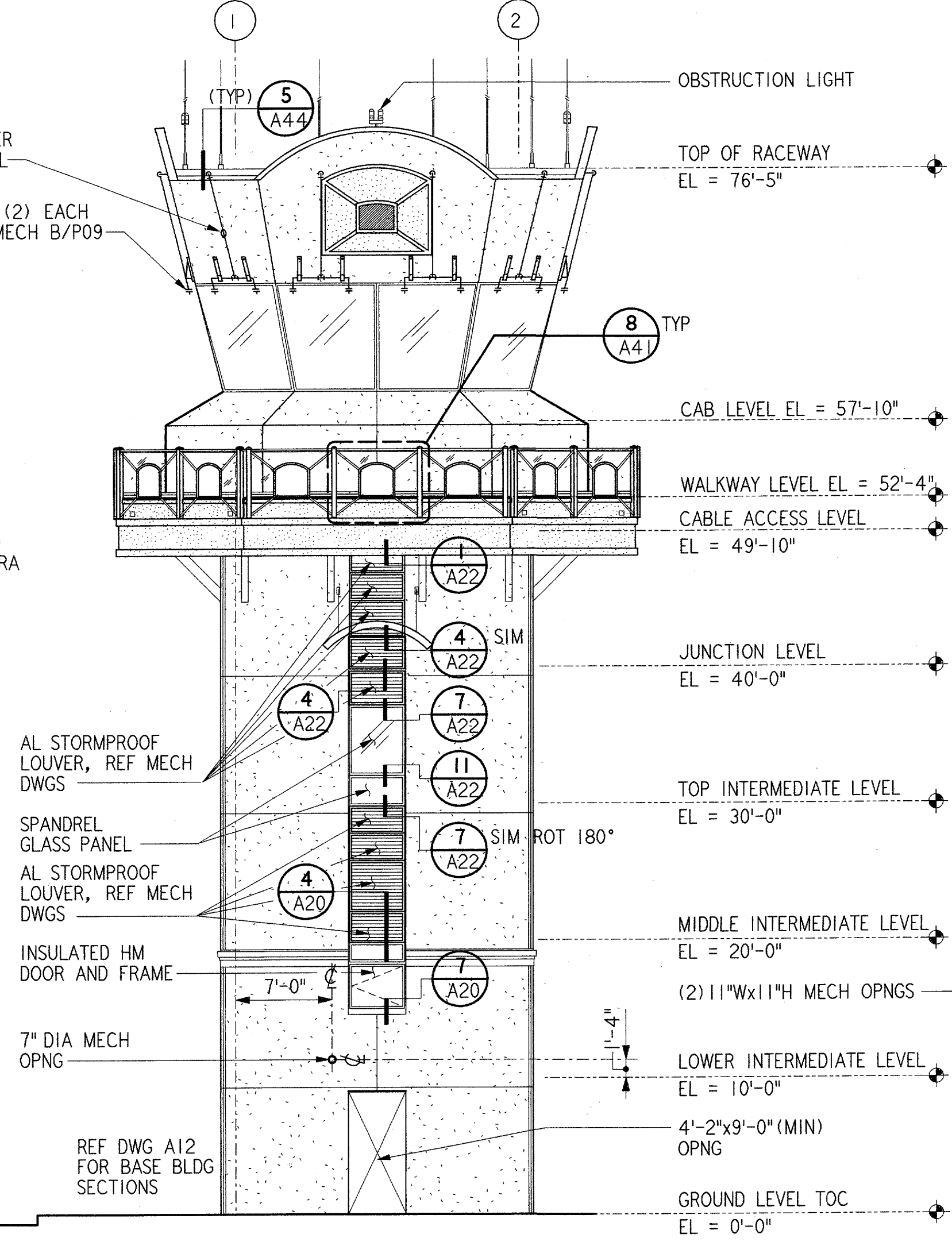


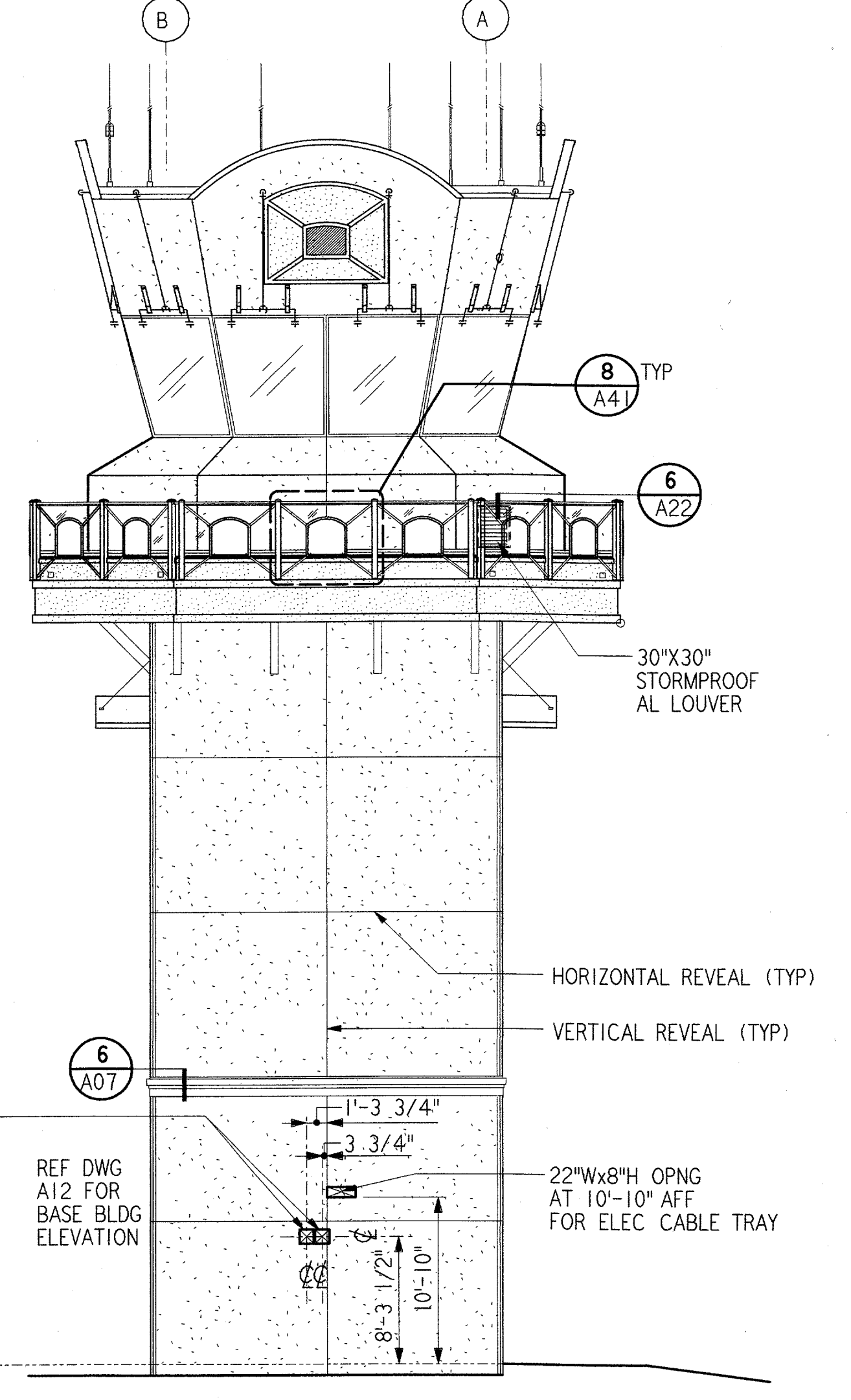
ELEVATION 1 REF A02 A03
1/8" = 1'-0"



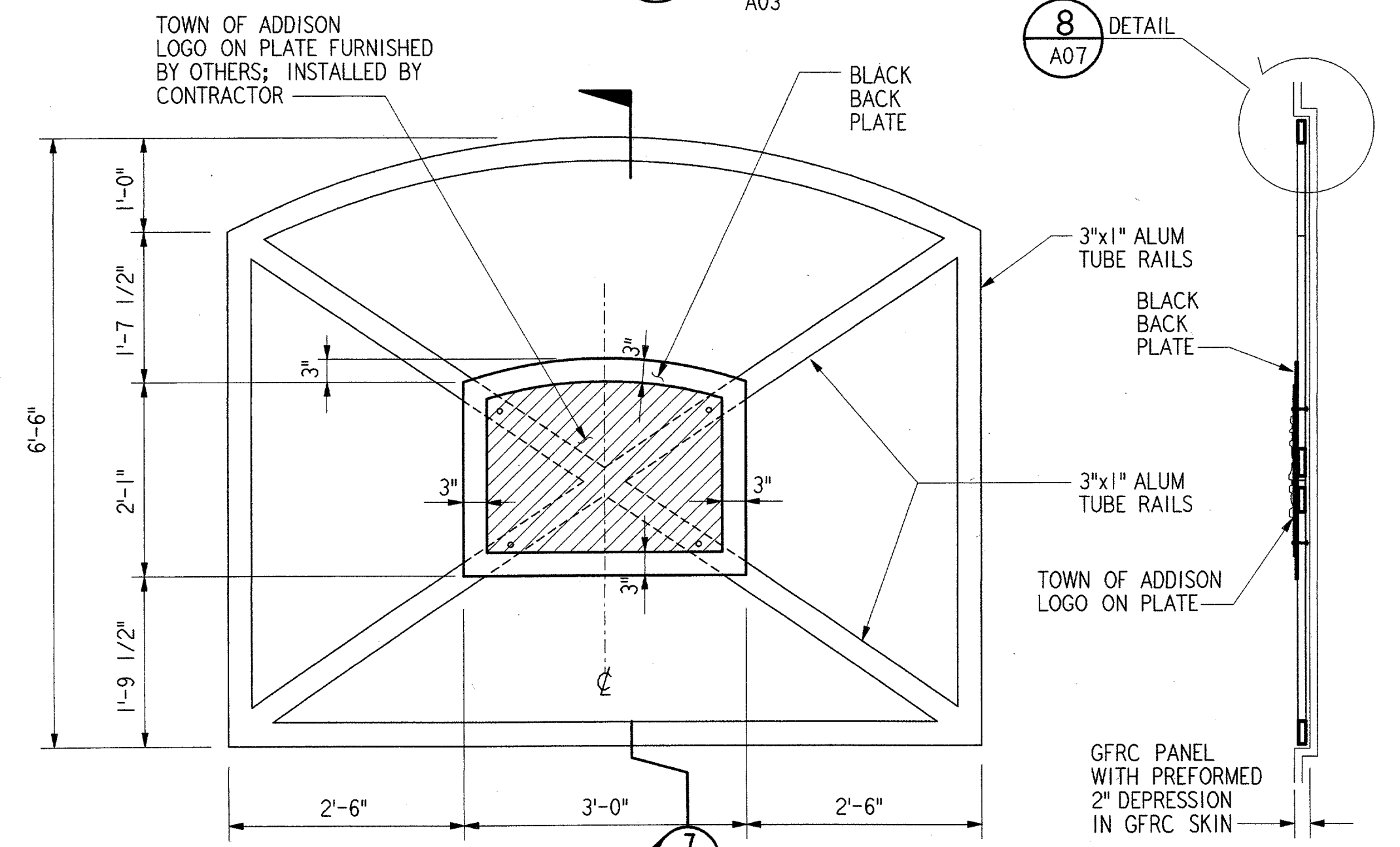
ELEVATION 2 REF A07 A02 A03
1/8" = 1'-0"



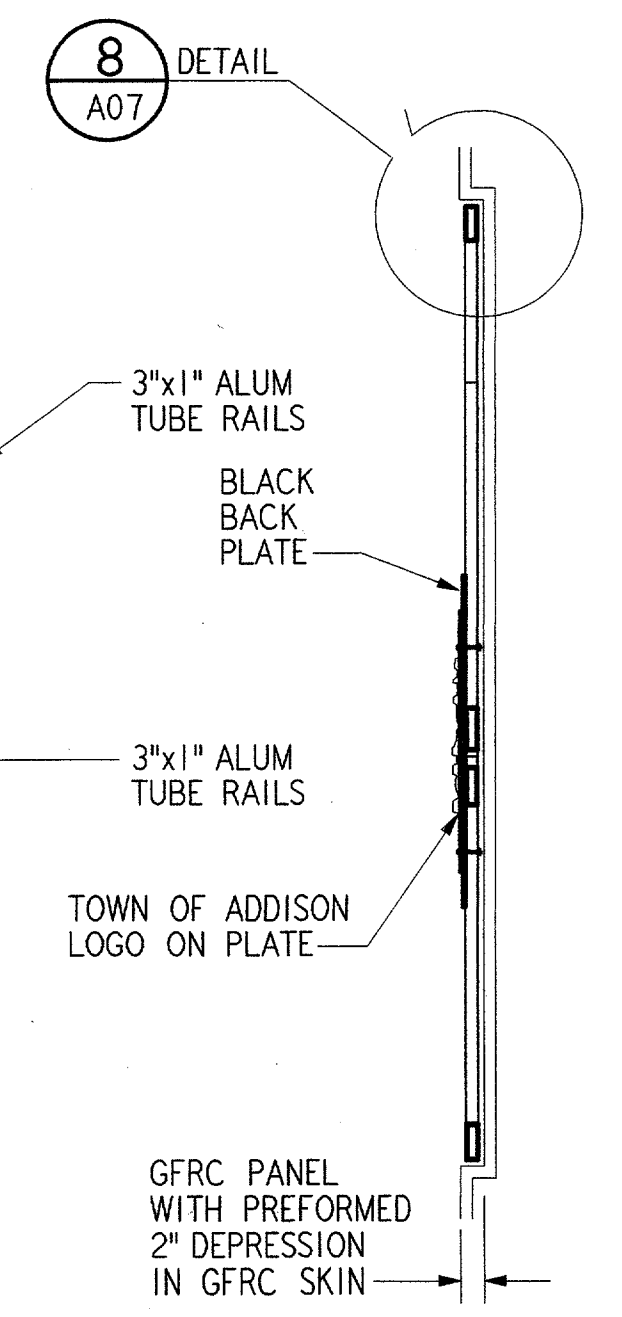
ELEVATION 3 REF A07 A02 A03
1/8" = 1'-0"



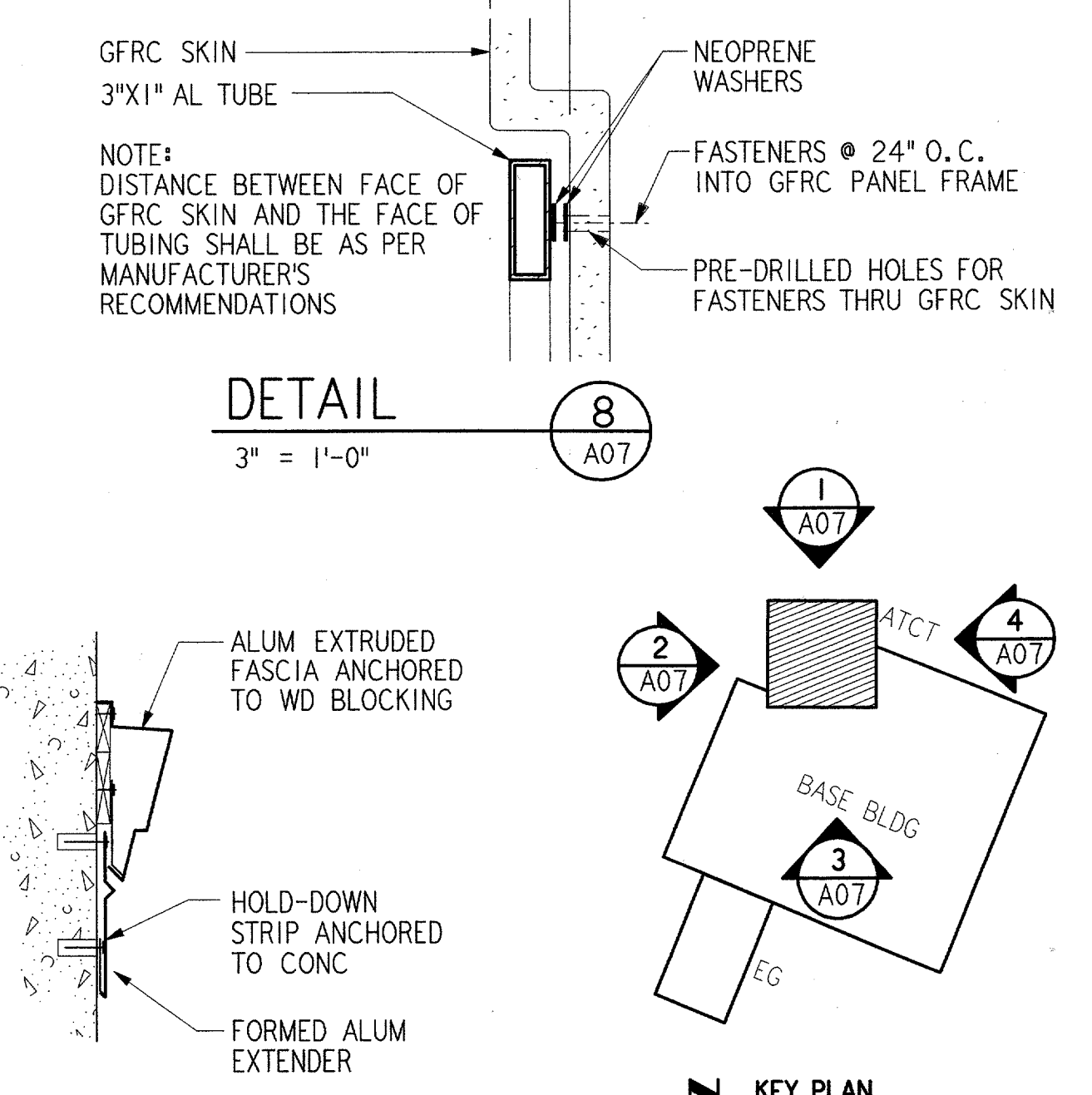
ELEVATION 4 REF A07 A02 A03
1/8" = 1'-0"



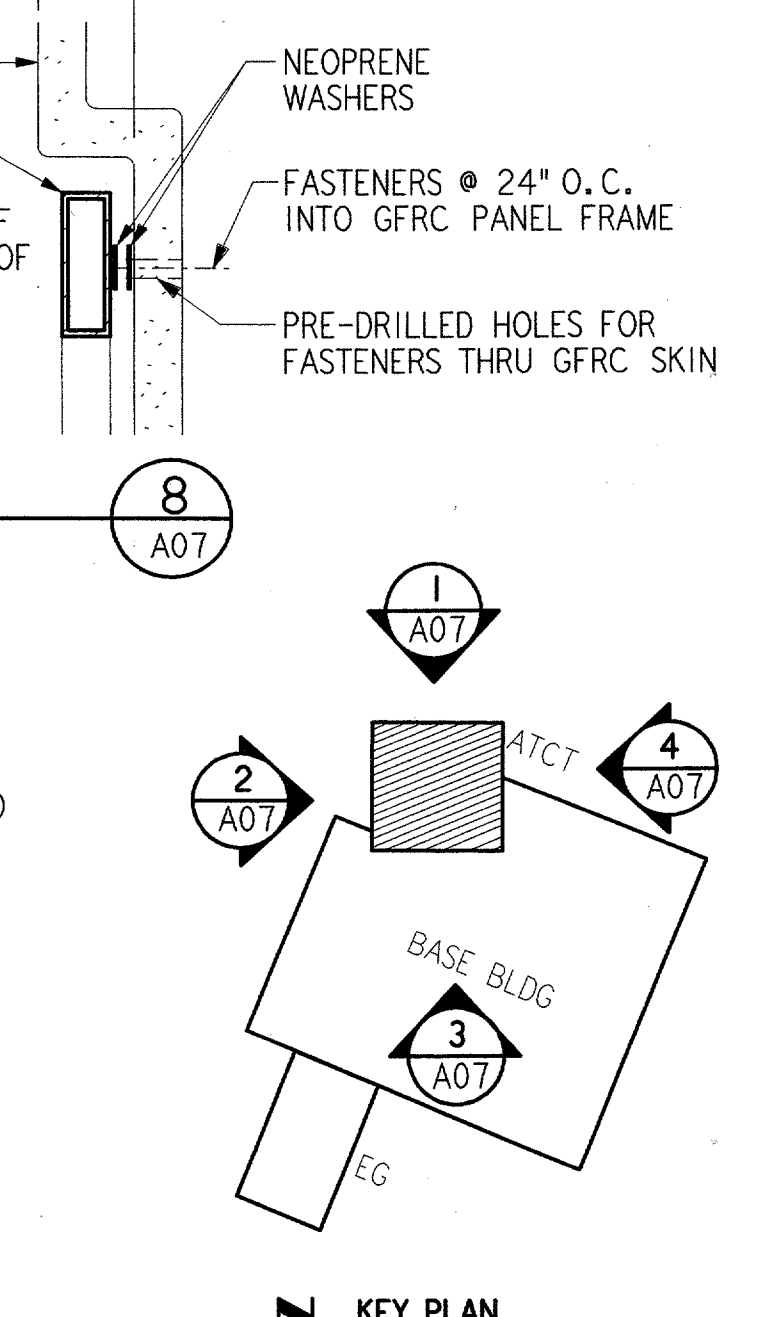
ELEVATION 5 REF A10
3/4" = 1'-0"



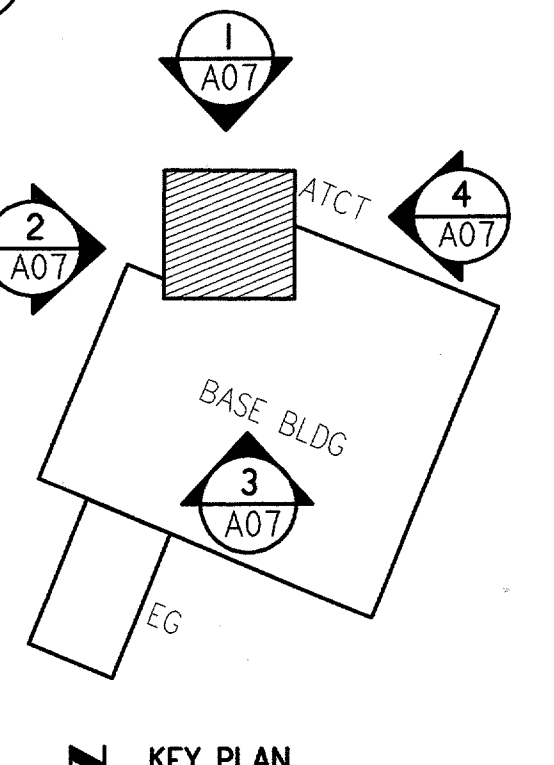
SECTION 7 REF A07
3/4" = 1'-0"



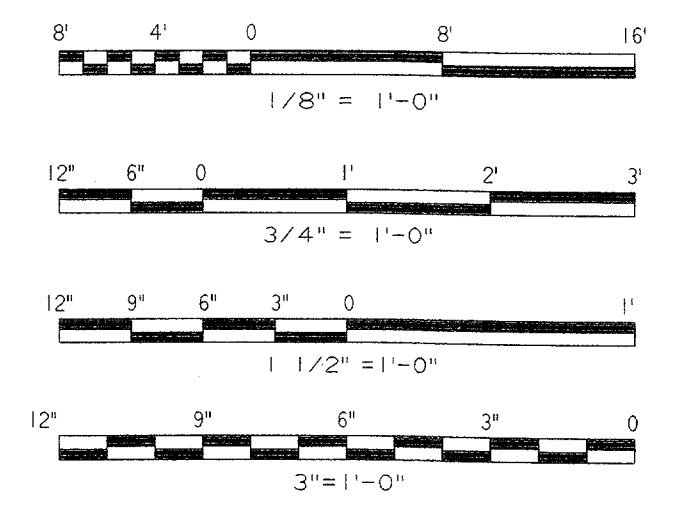
DETAIL 6 REF A07
3/4" = 1'-0"



DETAIL 8 REF A07
3" = 1'-0"



KEY PLAN



James C. Harper 6/22/01	DALLAS, TX

DEPARTMENT OF TRANSPORTATION
FEDERAL AVIATION ADMINISTRATION
SOUTHWEST REGION FORT WORTH, TEXAS

LOW ACTIVITY LEVEL
AIRPORT TRAFFIC CONTROL TOWER

BUILDING ELEVATIONS ATCT

ADDISON (ADDISON AIRPORT) TEXAS

DESIGNED BY: GARY WILLIAMS
REVIEWED BY: A. AMBARDEKAR
ORIG. DFT.: S. RAJAPREKSA
FACILITY:

ISSUED BY: AIRWAY FACILITIES DIVISION

DATE: 06-22-01
DRAWING NUMBER: ADS-ATCT-A07

A07

FILENAME: ADS1A07.ELT