

8

7

6

5

4

3

2

1

H

G

F

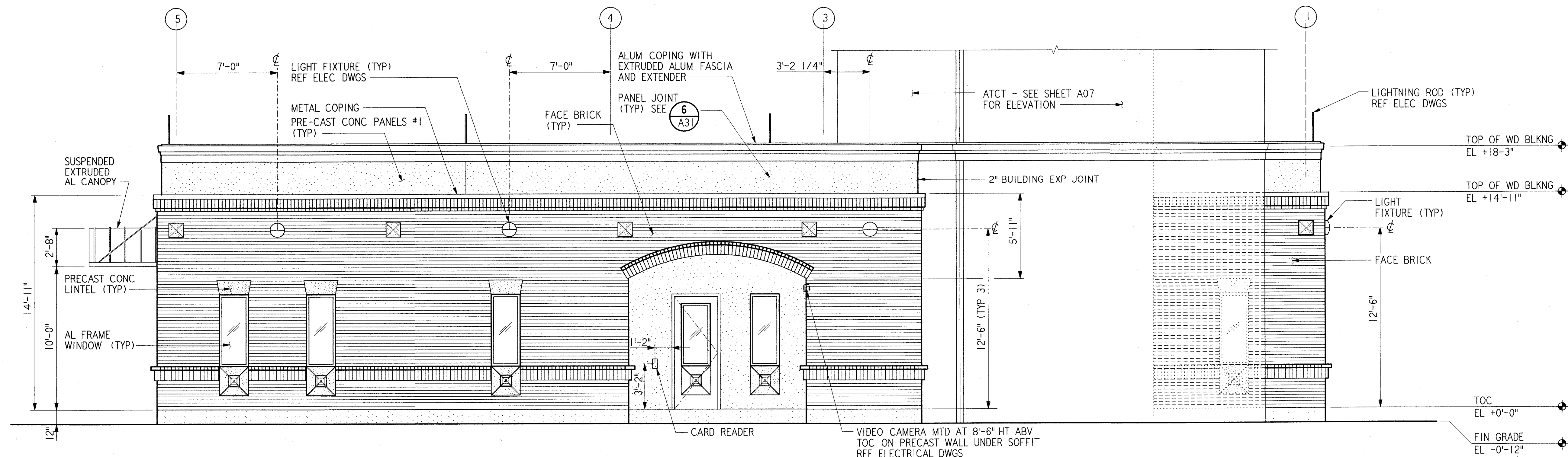
E

D

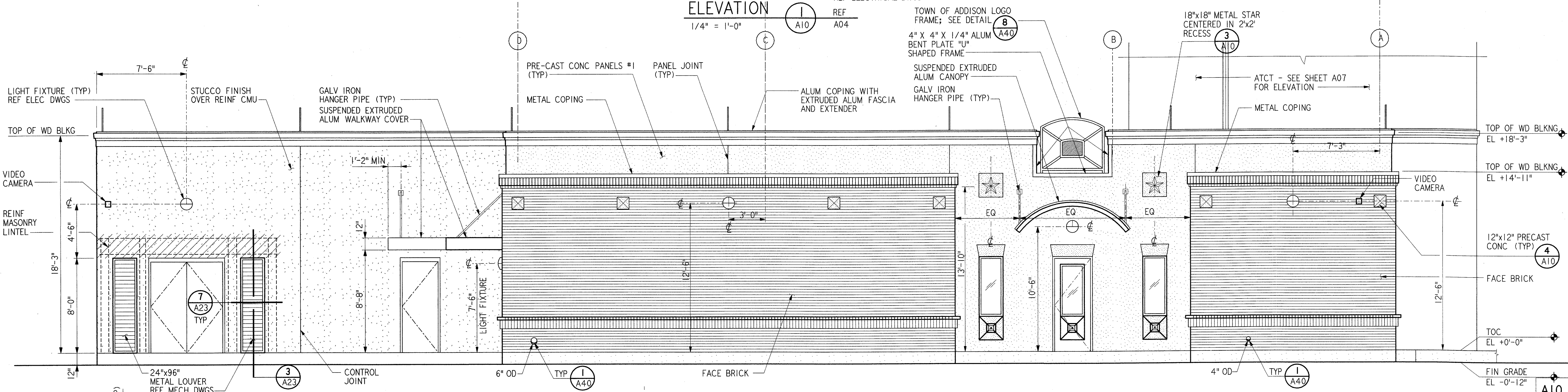
C

B

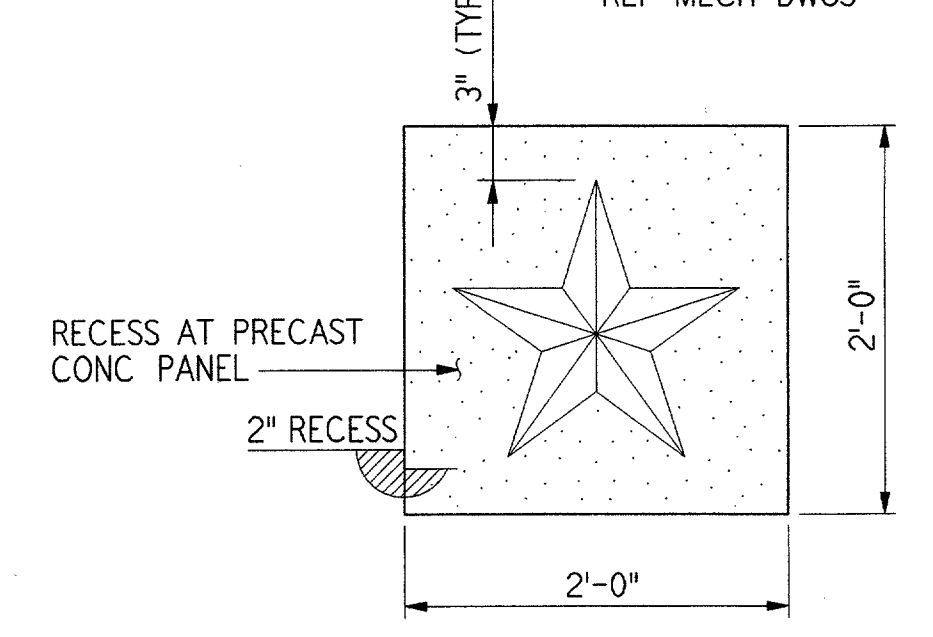
A



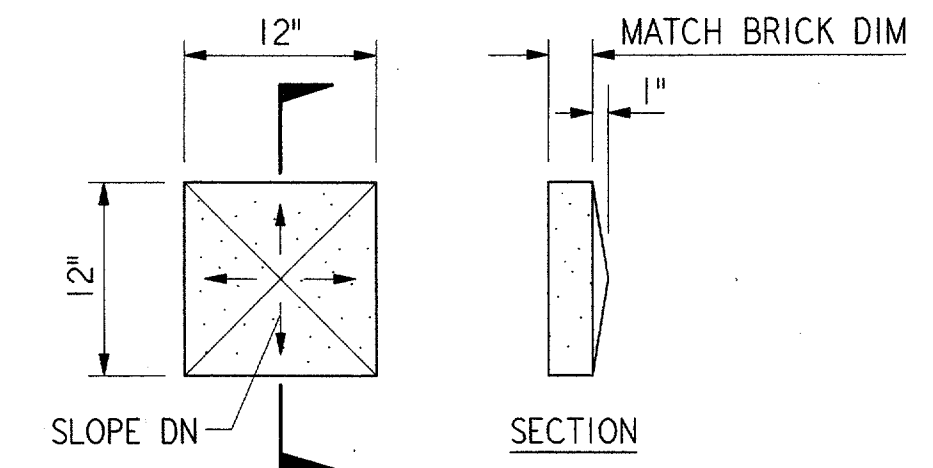
ELEVATION 1
1/4" = 1'-0" REF A04



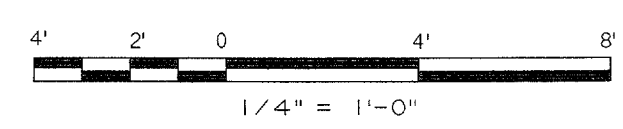
ELEVATION 2
1/4" = 1'-0" REF A04



DETAIL 3
3/8" = 1'-0" REF A10



DETAIL 4
3/8" = 1'-0" REF A10



James E. Harper 6/22/01		DALLAS, TX	

DEPARTMENT OF TRANSPORTATION
FEDERAL AVIATION ADMINISTRATION
SOUTHWEST REGION FORT WORTH, TEXAS

LOW ACTIVITY LEVEL
AIRPORT TRAFFIC CONTROL TOWER

BUILDING ELEVATIONS
BASE-EG BUILDING
(ADDISON AIRPORT) TEXAS

SUBMITTED BY: 	APPROVED BY:
DESIGNED: GARY WILLIAMS REVIEWED: A. AMBARDEKAR ORIG. DFT.: E. DANE FACILITY:	ISSUED BY: AIRWAY FACILITIES DIVISION
DATE: 06-22-01 DRAWING NUMBER: ADS-ATCT-A10	MANAGER TERMINAL PLATFORM, ANI-640