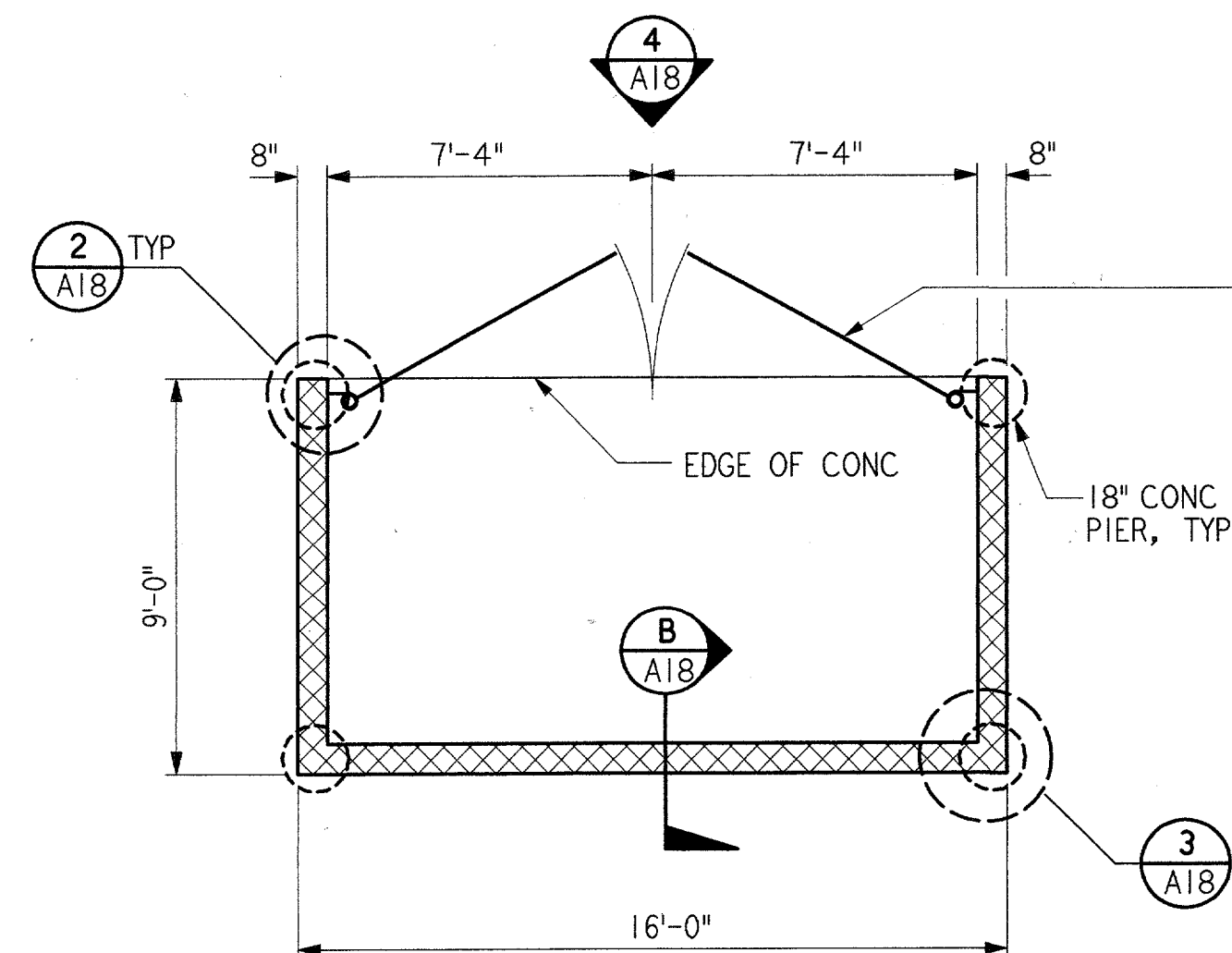
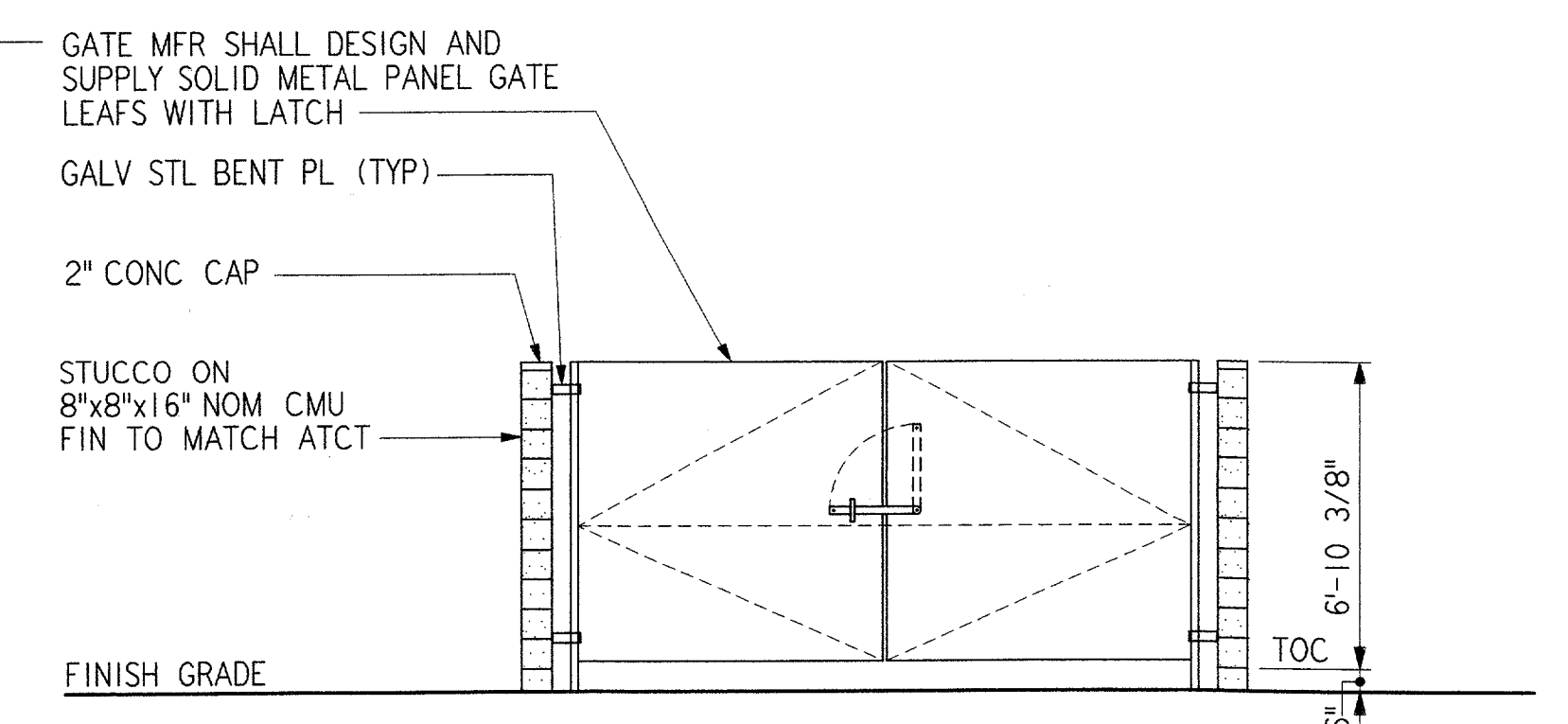


INTERIOR COLOR SCHEDULE

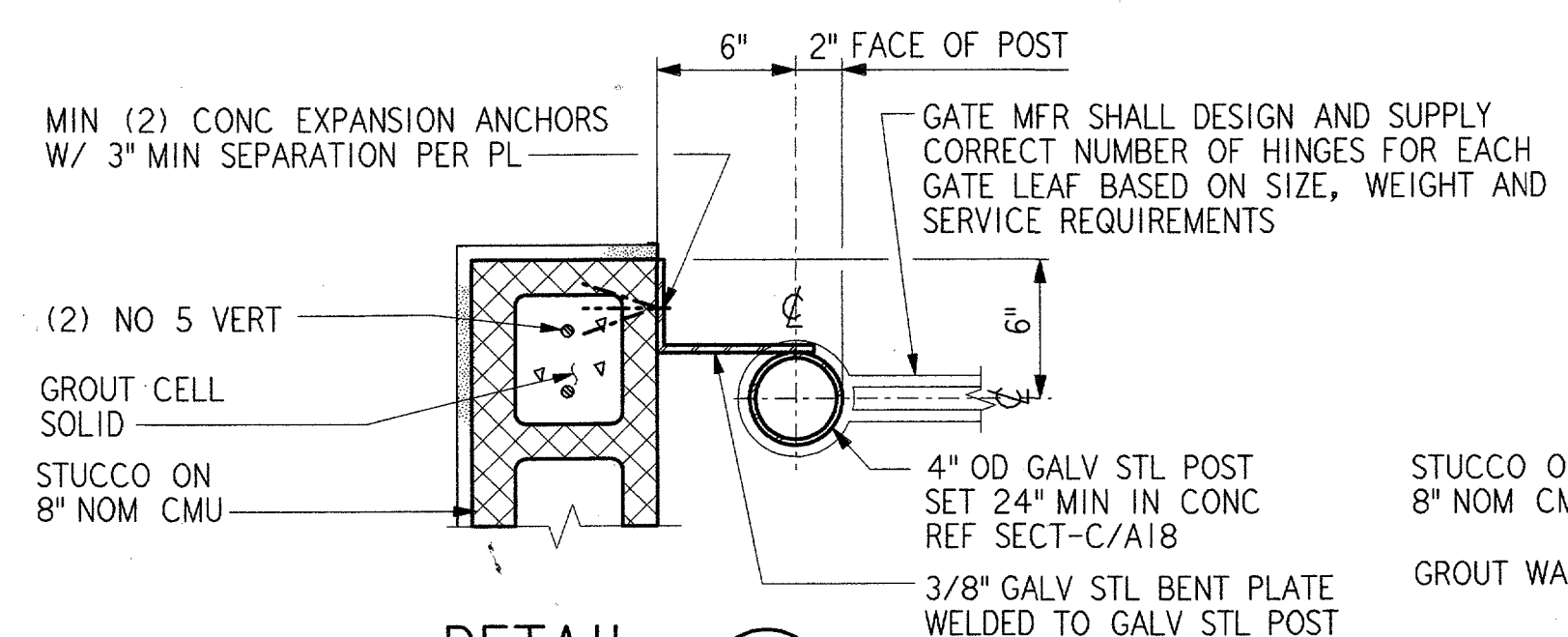
<p><b>RESILIENT FLOORING</b> VINYL COMPOSITE TILE (VCT) VCT-1 ALLSTATE MVT II 6029 VCT-2 ALLSTATE PL 2021</p>	<p><b>WALL COVERING</b> WALL FABRIC COVERING (WFC) WFC-1 EUROTUX, TRETTFORD 587</p>
<p><b>RUBBER FLOORING TILE (RF)</b> RF-1 ROPPE - RC 174 SMOKE</p>	<p><b>MILLWORK</b> PLASTIC LAMINATE (PLAM) PLAM-1 NEVAMAR, BRONZE MATRIX TEXTURED MR-2-7T PLAM-2 NEVAMAR, FOSSIL GRAY TEXTURED S-6-3IT PLAM-3 NEVAMAR, GOLDEN ASH TEXTURED W-8-110T PLAM-4 NEVAMAR, NATURAL BEIGE TEXTURED S-2-63T</p>
<p><b>RUBBER STAIR TREAD AND RISER</b> RTR-1 ROPPE - 174 SMOKE</p>	
<p><b>RUBBER COVE BASE</b> RB-1 ALLSTATE NO. 3</p>	
<p><b>EPOXY FLOOR COATING (EFC)</b> EFC-1 SW HAZE GRAY</p>	<p><b>ACOUSTICAL TILE CEILING (ATC)</b> ATC-1 USG INTERIORS "GLACIER"/WHITE COLOR ATC-2 USG INTERIORS "OMNI"/BLACK COLOR</p>
<p><b>PAINTING</b> PAINT (PT) PT-1 SHERWIN WILLIAMS PUREWHITE SW1004 (FLAT) PT-2 NOT USED PT-3 MULTISPEC MS90-9656 PT-4 SHERWIN WILLIAMS # SW 1007 BLACK TIE (GLOSS) PT-5 NOT USED PT-6 SHERWIN WILLIAMS # SW 1004 PUREWHITE (SEMI GLOSS) PT-7 SHERWIN WILLIAMS # SW 1007 BLACK TIE (FLAT) PT-8 KYNAR 500, CHAMPAGNE EP-1 EPOXY PAINT TO MATCH FRP-1 PEARL GRAY</p>	<p><b>PREFINISHED WALL PANELS</b> FIBERGLASS REINFORCED PANELS (FRP) FRP-1 KEMLITE 48 PEARL GRAY</p>
<p><b>STAIN (S)</b> S-1 GOLDEN ASH TO MATCH PLAM-3</p>	<p><b>CARPETING (CPT)</b> CPT-1 CUMBERLAND/QUEEN CARPET COMPANY, GLORY DAYS, 703 ROLLING HILLS CPT-2 UTP RTG CARPET, MOSAIC 6280</p>
	<p><b>ACCESS FLOORING</b> ACCESS FLOORING TILE (AFT) AFT-1 CONDUCTILE, BONE, CON 53SC</p>
	<p><b>TILE (CMT)</b> CMT-1 2 X 2 DAL TILE KEYSTONES ALMOND DK-35 CMT-2 2 X 2 DAL TILE KEYSTONES FLINTLOCK DK-04 CMT-3 4 1/4 X 4 1/4 DAL TILE SEMI GLOSS K-165 ALMOND</p>



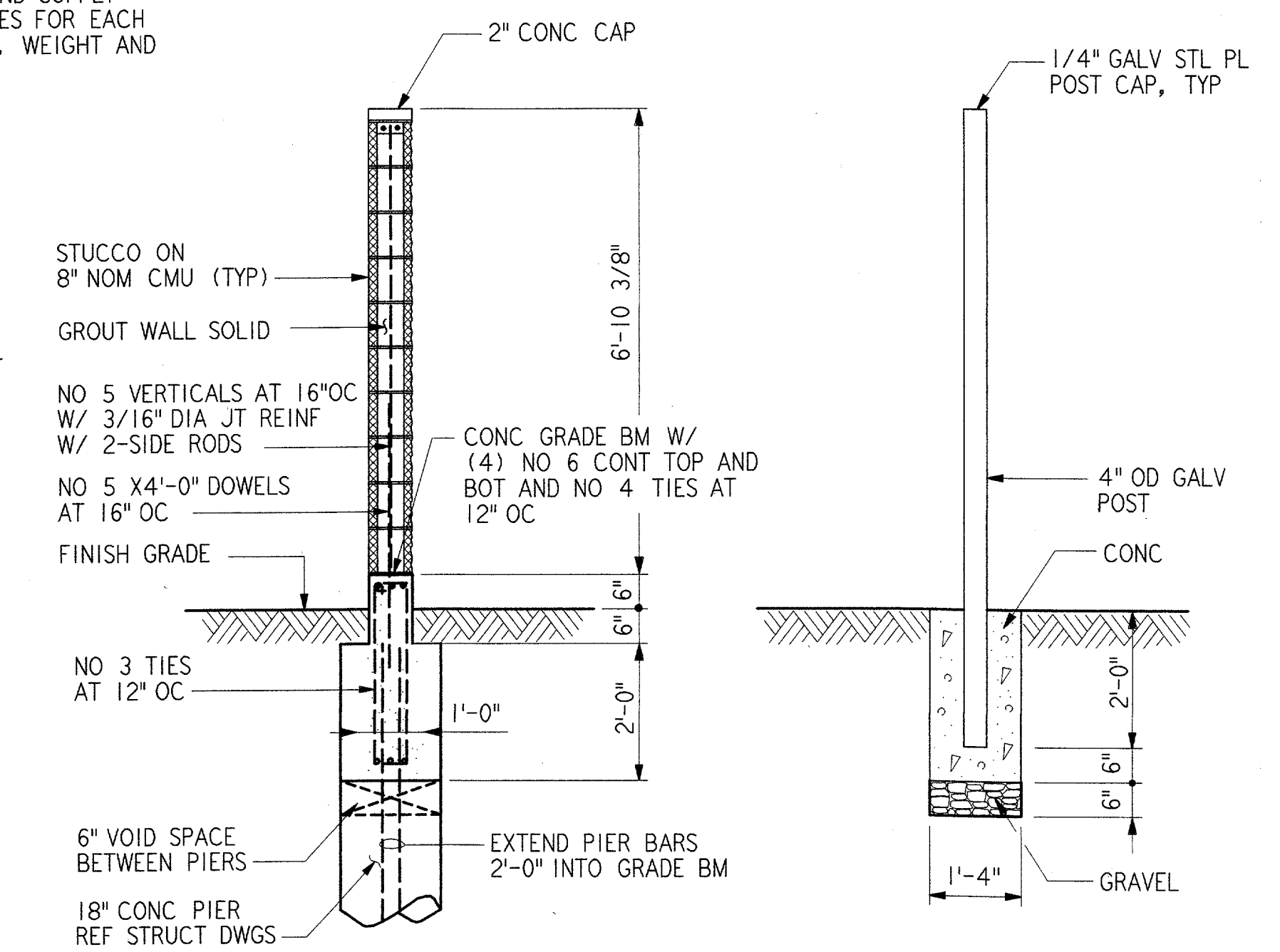
TRASH ENCLOSURE PLAN  
1/4" = 1'-0"



TRASH ENCLOSURE ELEVATION  
1/4" = 1'-0"

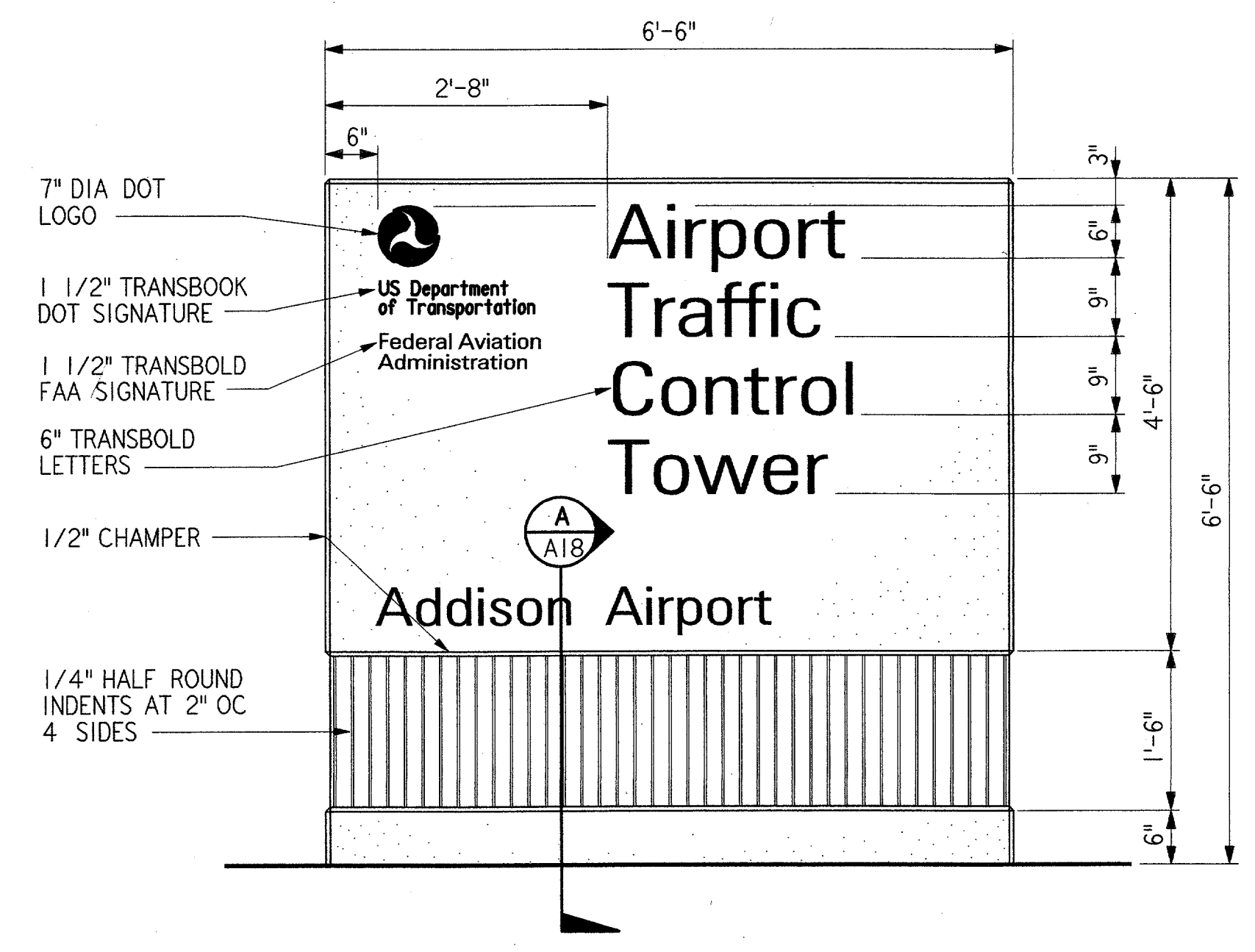


DETAIL 2  
1 1/2" = 1'-0"

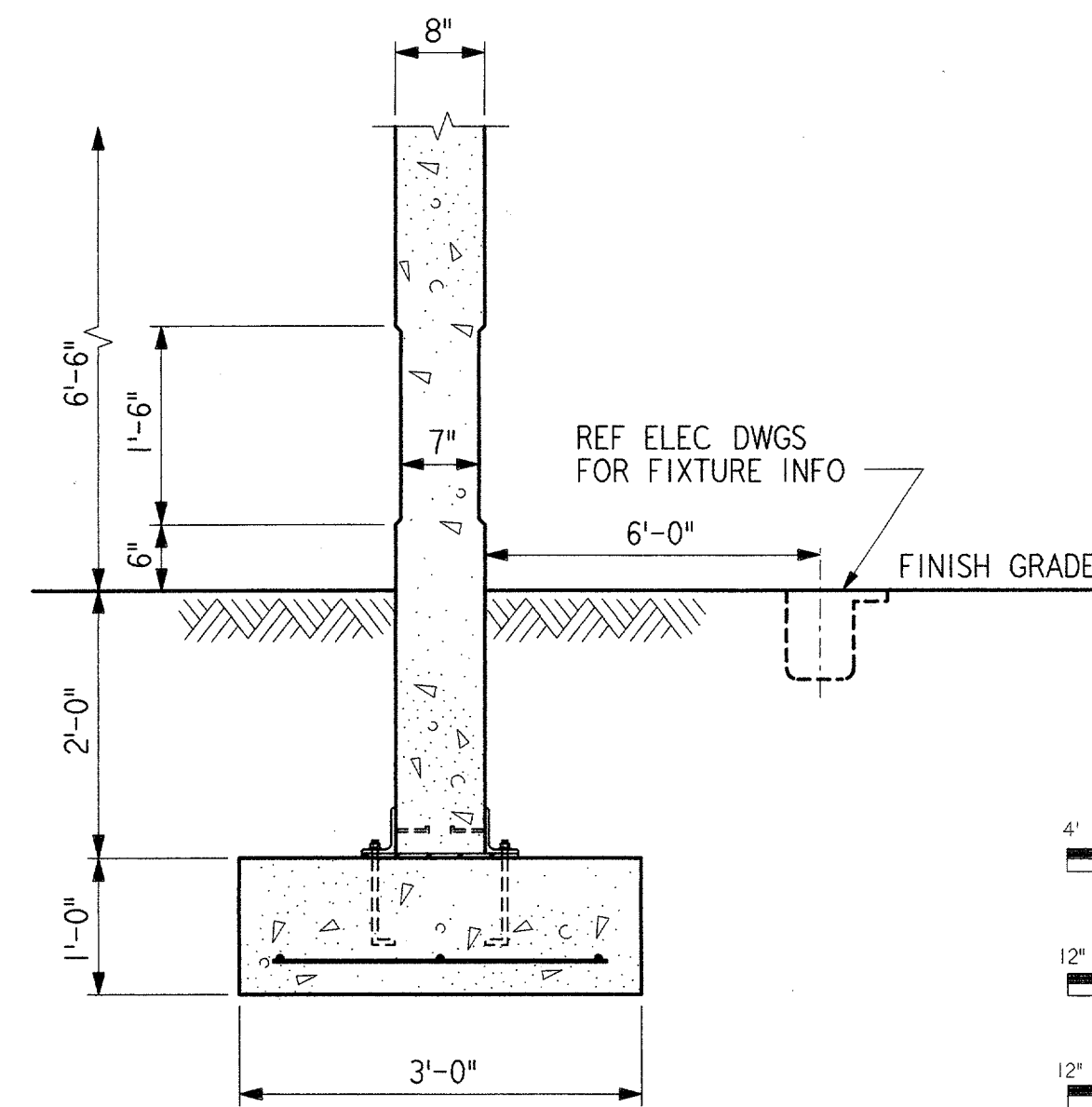


WALL SECTION B  
1/2" = 1'-0"

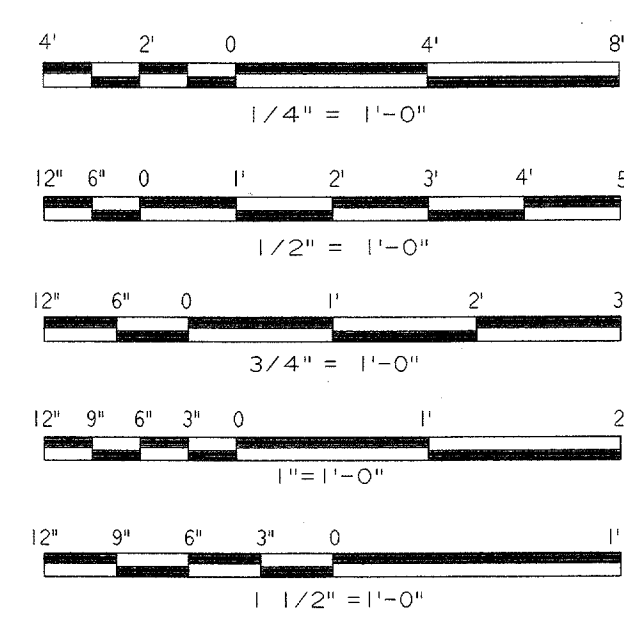
POST SECTION C  
1/2" = 1'-0"



ELEVATION - SIGN  
3/4" = 1'-0"



SECTION - SIGN  
3/4" = 1'-0"



DALLAS, TX	DALLAS, TX

DEPARTMENT OF TRANSPORTATION  
FEDERAL AVIATION ADMINISTRATION  
SOUTHWEST REGION FORT WORTH, TEXAS

LOW ACTIVITY LEVEL  
AIRPORT TRAFFIC CONTROL TOWER  
TRASH ENCLOSURE PLAN AND DETAILS  
COLOR SCHEDULE AND SIGNAGE DETAILS  
ATCT/BASE-EG BUILDING

ADDISON (ADDISON AIRPORT) TEXAS

DESIGNED: GARY WILLIAMS  
REVIEWED: [Signature]  
ORIG. DPT.: G.W., S.R., E.D.  
FACILITY:

ISSUED BY: [Signature]  
AIRWAY FACILITIES DIVISION

DATE: 06-22-01  
DRAWING NUMBER: ADS-ATCT-A18

A18

FILENAME: ADS18018.SCT