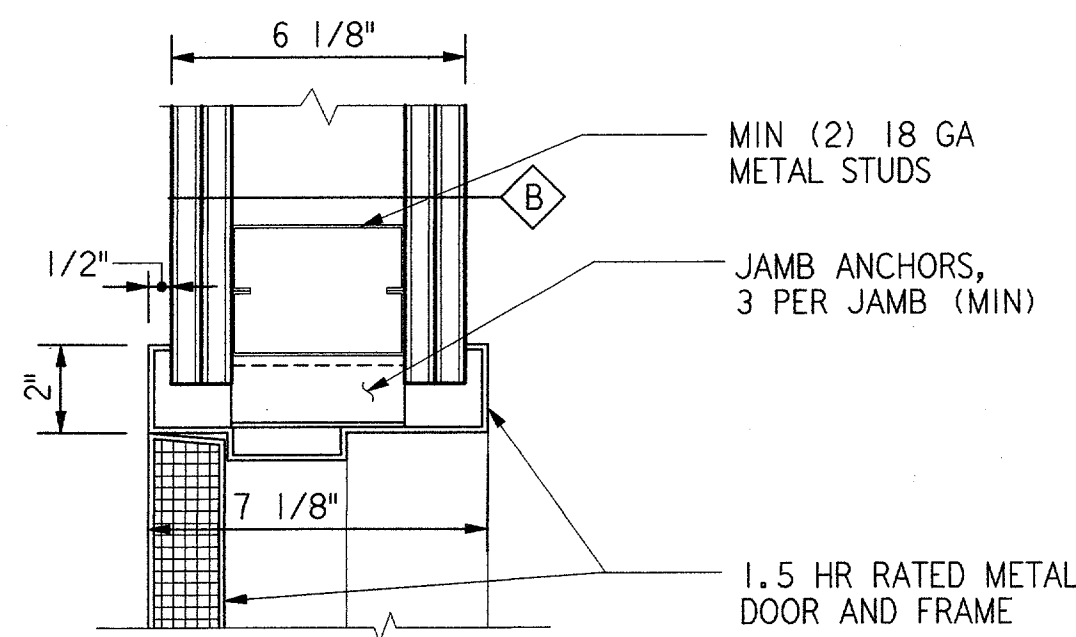
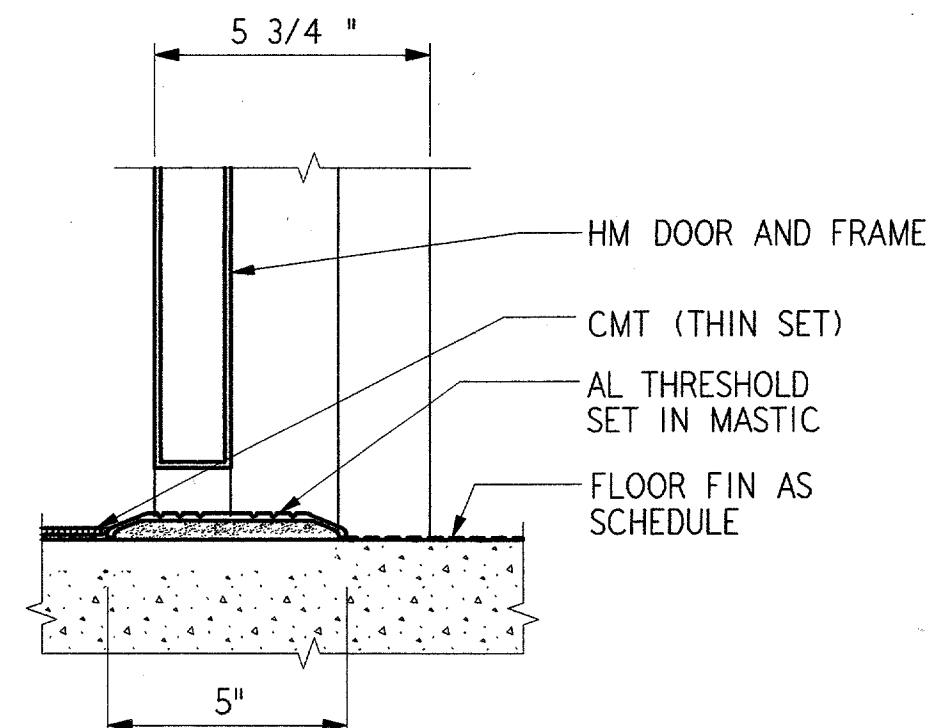


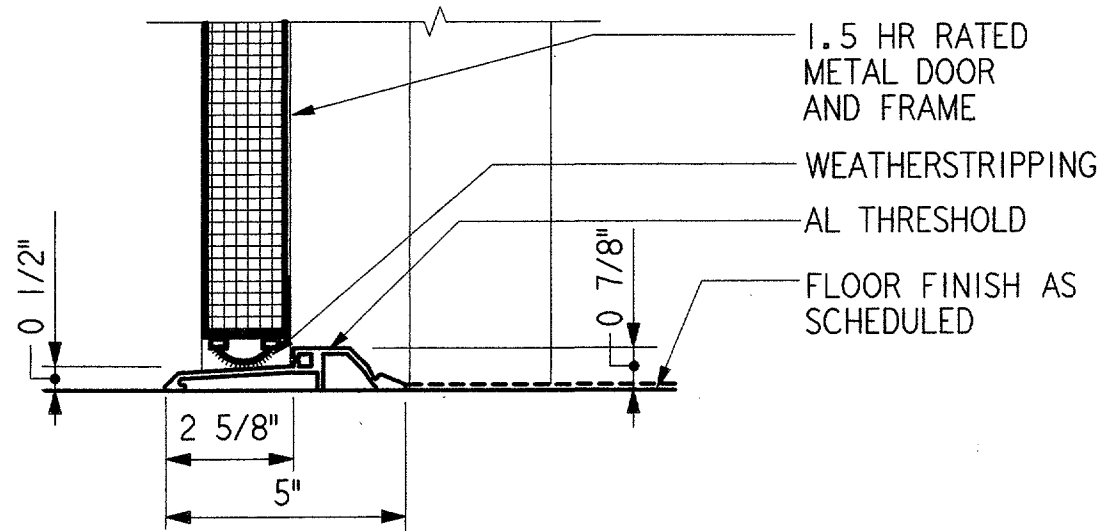
**JAMB DETAIL (HEAD SIM)** 1 REF A20 A19  
3\"/>



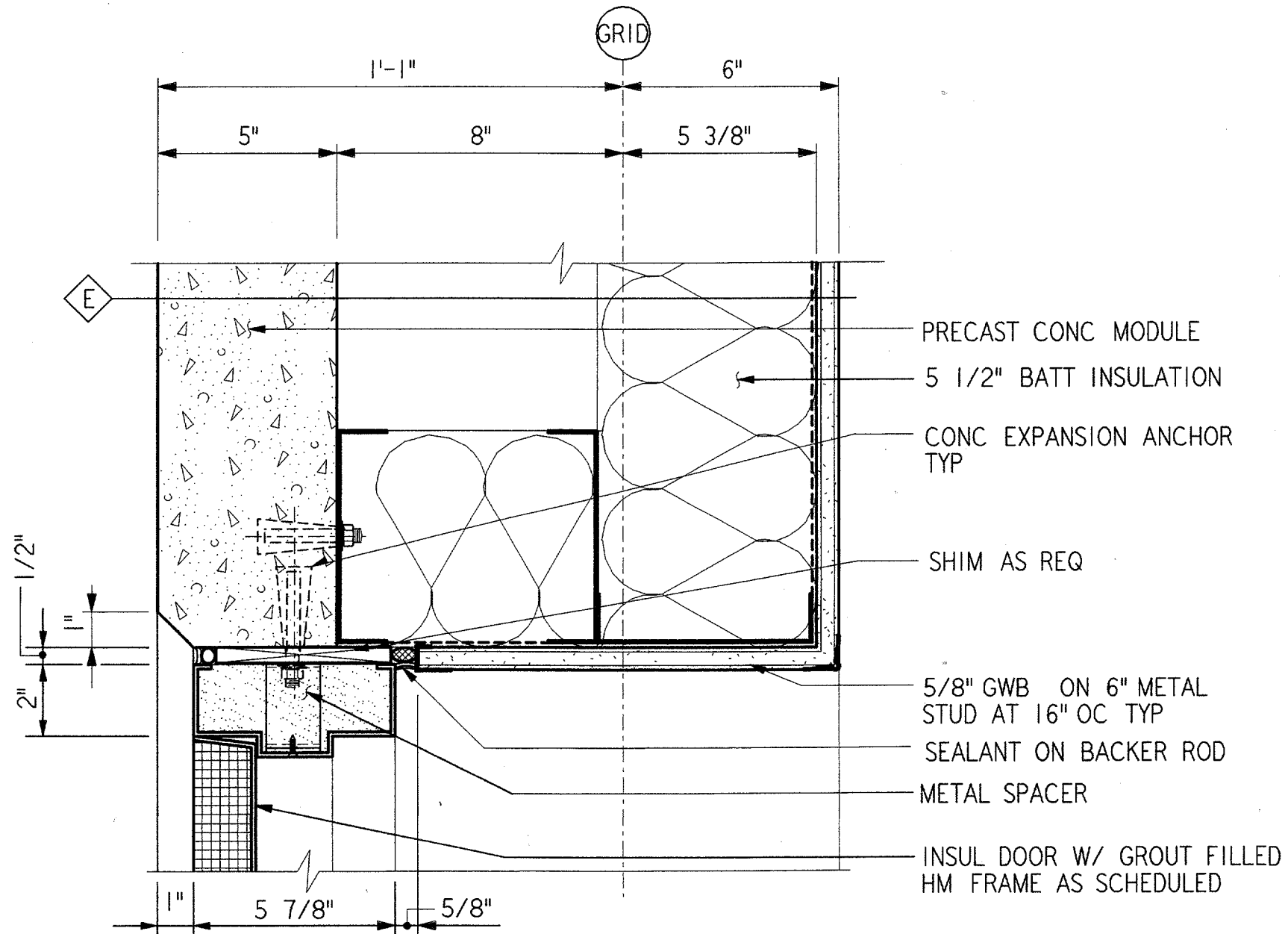
**JAMB DETAIL (HEAD SIM)** 2 REF A20 A19  
3\"/>



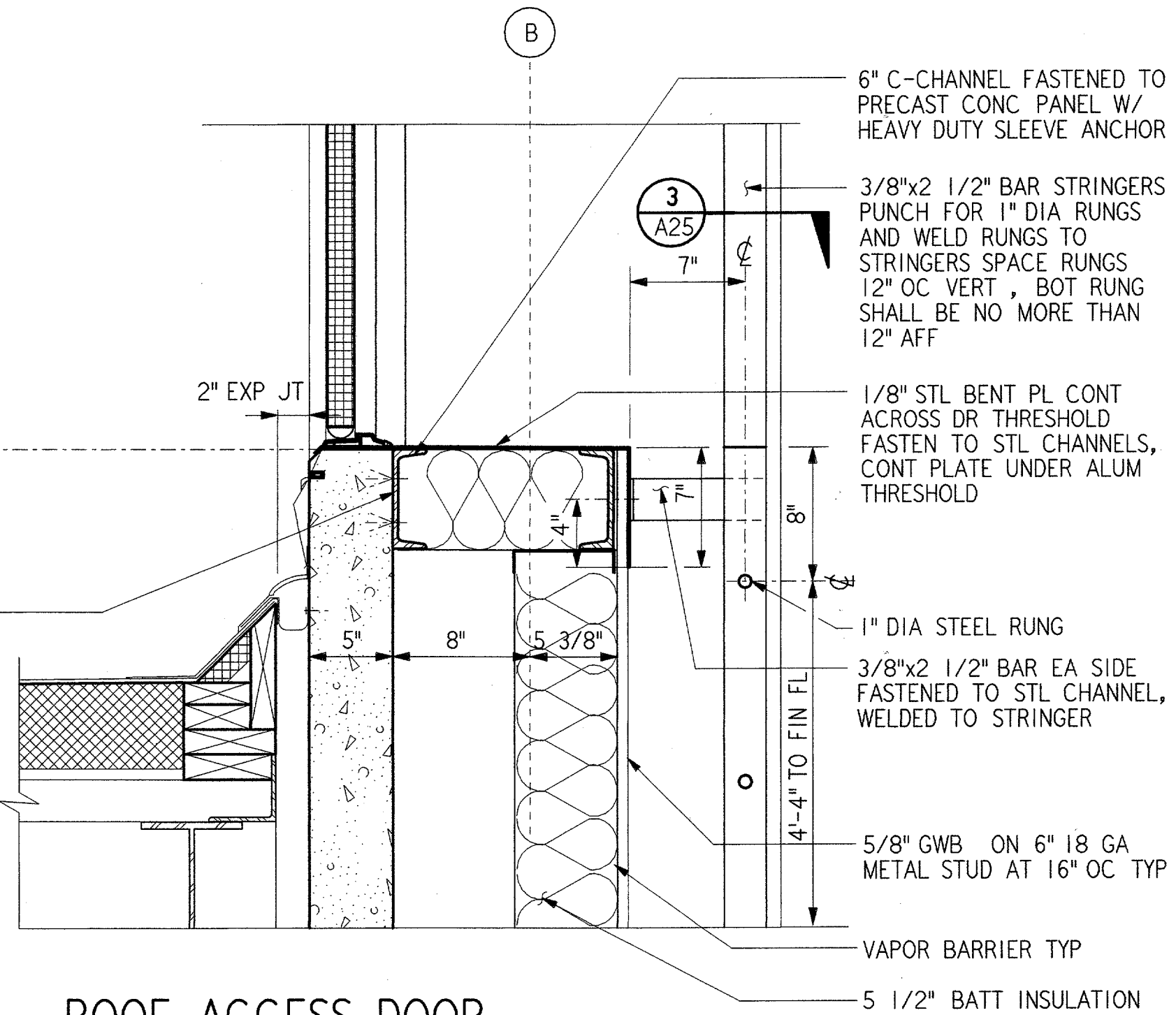
**THRESHOLD DETAIL** 5 REF A20 A19  
3\"/>



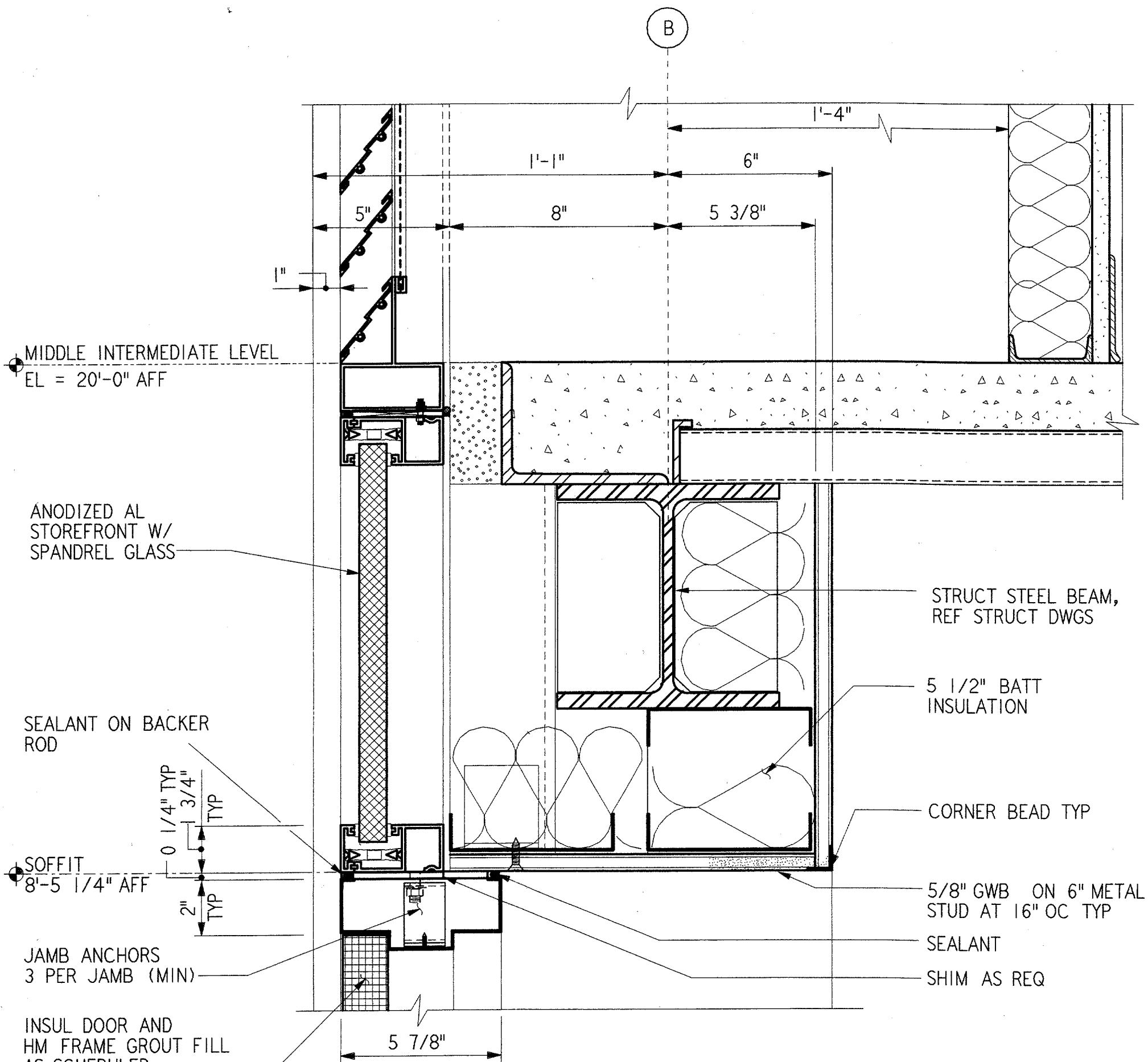
**THRESHOLD DETAIL** 6 REF A20 A19  
3\"/>



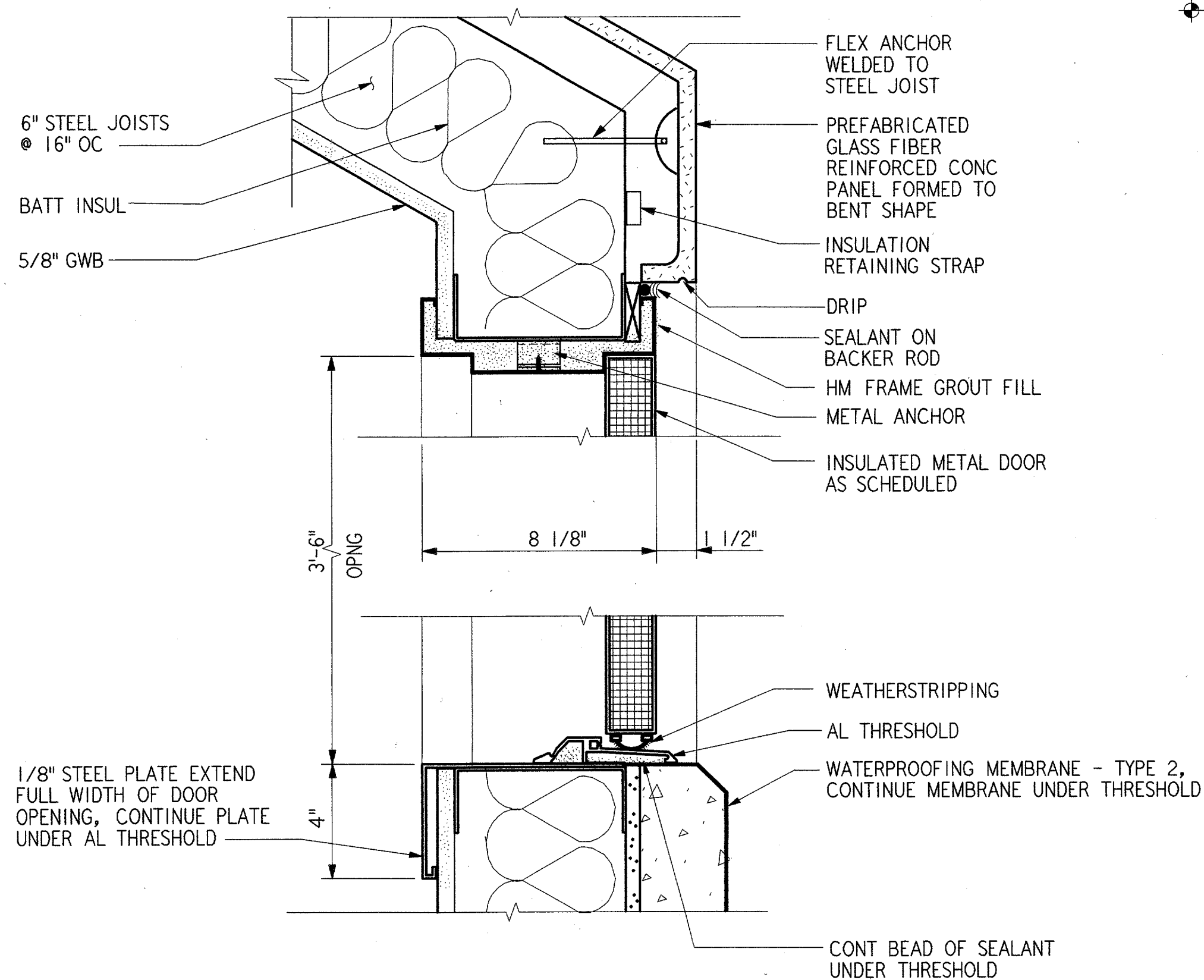
**HEAD DETAIL/JAMB SIM** 3 REF A20 A19  
3\"/>



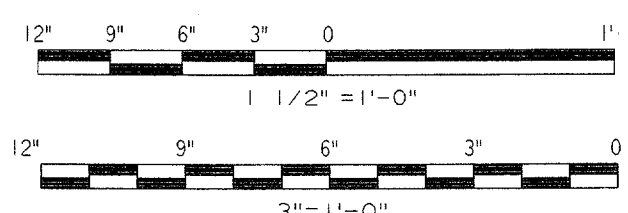
**ROOF ACCESS DOOR THRESHOLD DETAIL** 7 REF A20 A06 A07 A19 A28  
1 1/2\"/>



**HEAD DETAIL** 4 REF A20 A07 A19 A28  
3\"/>



**WALKWAY ACCESS DOOR DETAIL** 8 REF A20 A09 A19  
3\"/>



James C. Harper 6/22/01		DALLAS, TX	

DEPARTMENT OF TRANSPORTATION FEDERAL AVIATION ADMINISTRATION SOUTHWEST REGION FORT WORTH, TEXAS			
LOW ACTIVITY LEVEL AIRPORT TRAFFIC CONTROL TOWER			
DOOR DETAILS ATCT			
ADDISON (ADDISON AIRPORT) TEXAS		MANAGER TERMINAL PLATFORM, ANI-640	
DESIGNED: GARY WILLIAMS REVIEWED: A. AMBARDEKAR ORIG. DFT.: S. RAJPREEJA FACILITY:	ISSUED BY: AIRWAY FACILITIES DIVISION	DATE: 06-22-01 DRAWING NUMBER: ADS-ATCT- A20	APPROVED: <i>[Signature]</i> MANAGER TERMINAL PLATFORM, ANI-640

A20

FILENAME: ADSI020.DJT