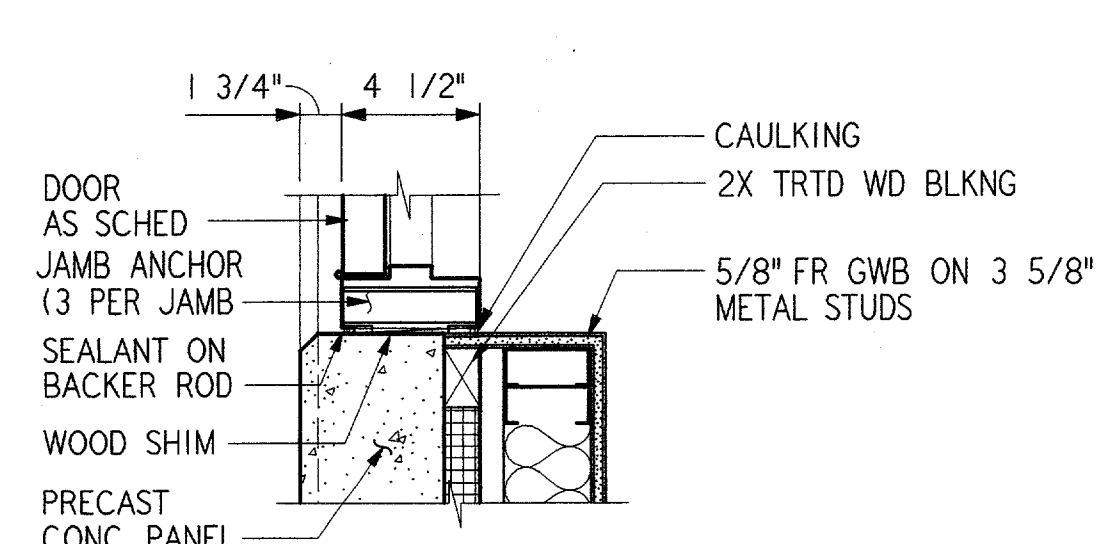
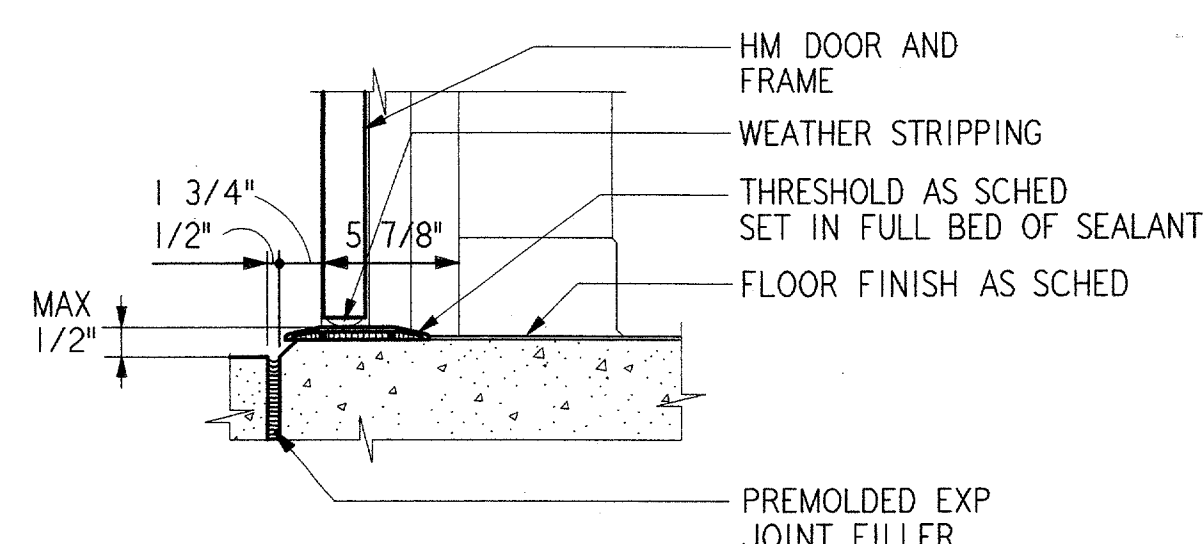


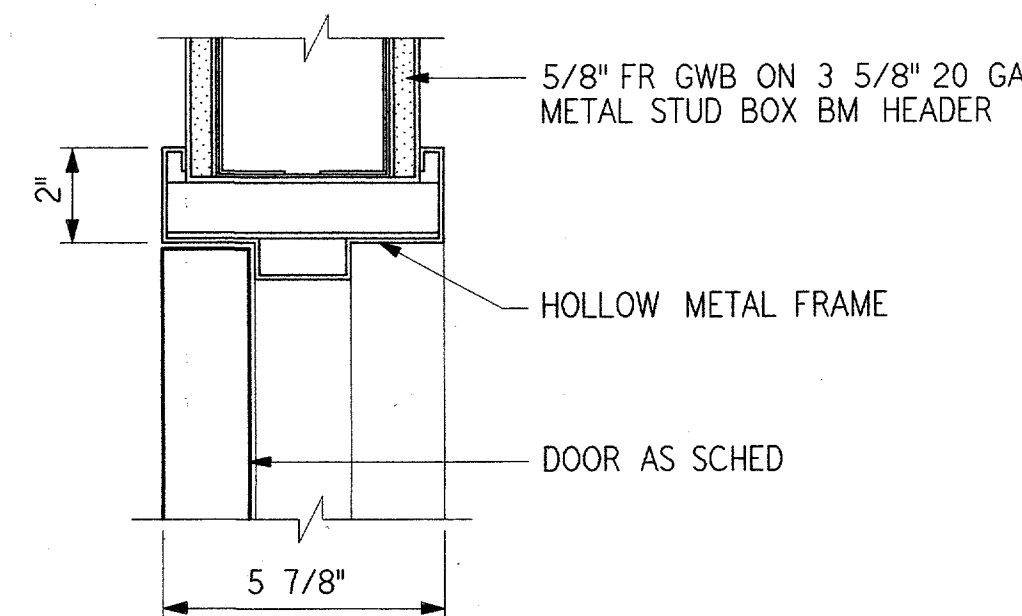
**HEAD/JAMB SIM**  
1 1/2" = 1'-0"  
REF A21 A19 A30



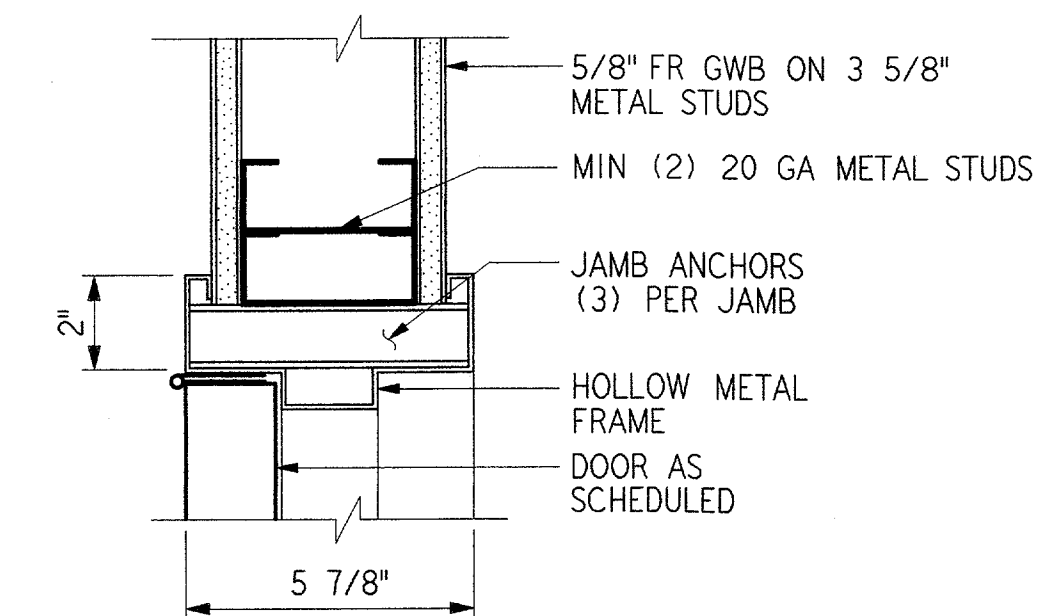
**JAMB DETAIL**  
1 1/2" = 1'-0"  
REF A21 A19



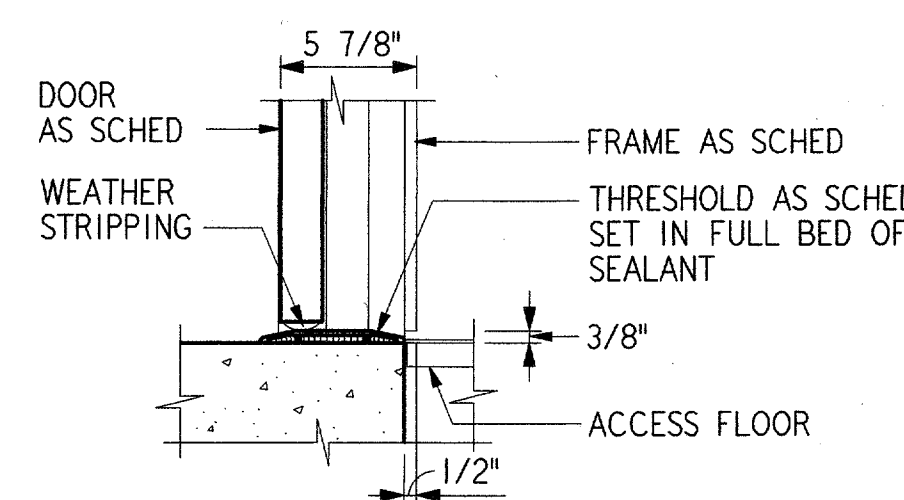
**THRESHOLD DETAIL**  
1 1/2" = 1'-0"  
REF A21 A19 A30



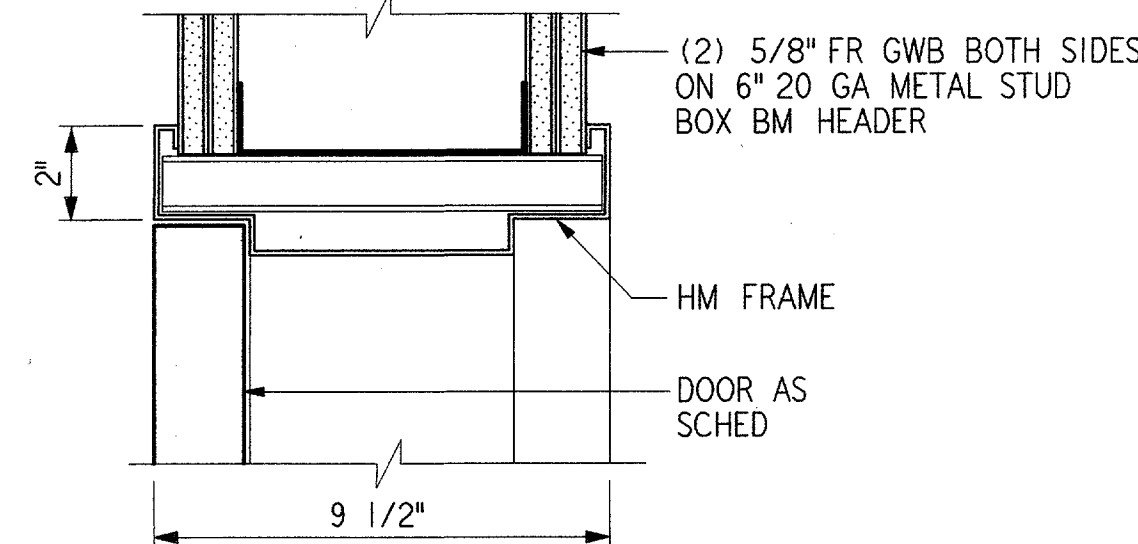
**HEAD DETAIL**  
3" = 1'-0"  
REF A21 A19



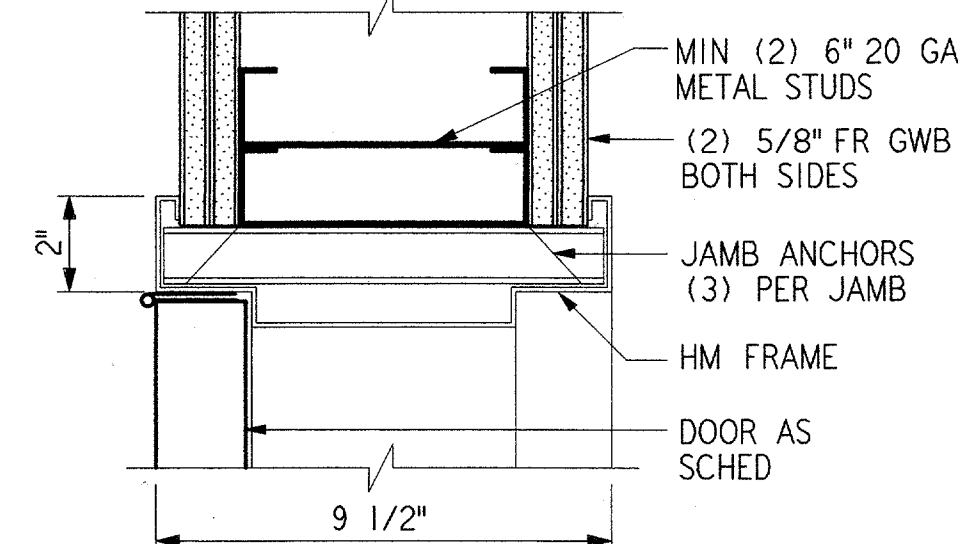
**JAMB DETAIL**  
3" = 1'-0"  
REF A21 A19



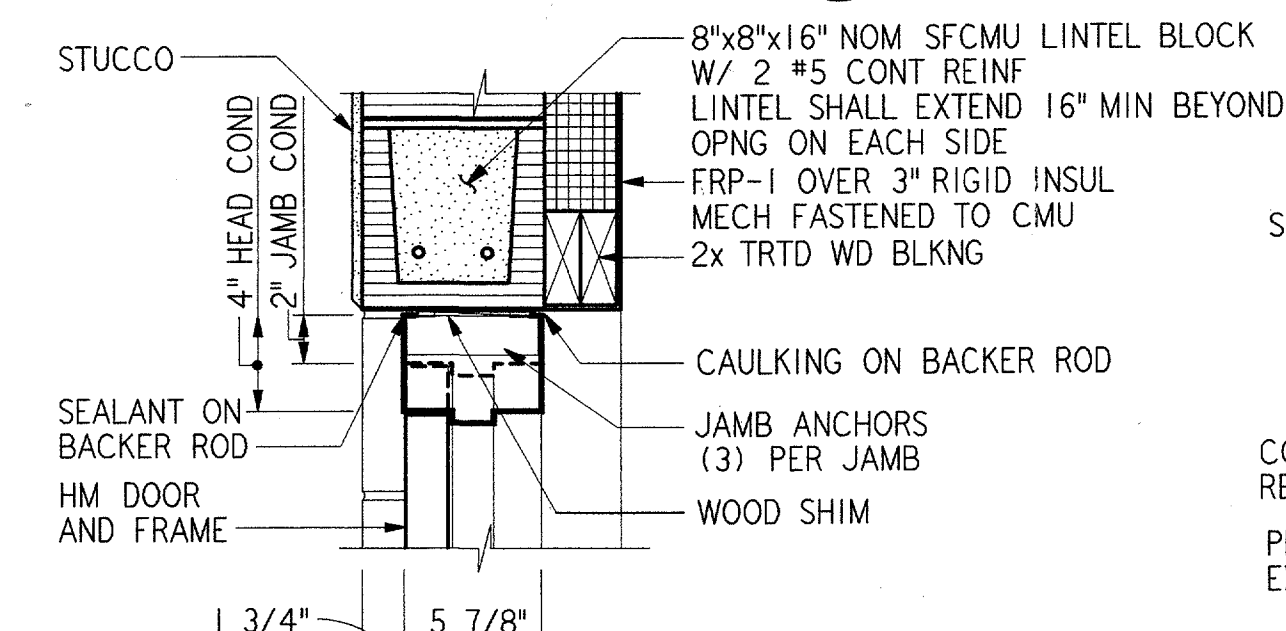
**THRESHOLD DETAIL**  
1 1/2" = 1'-0"  
REF A21 A19



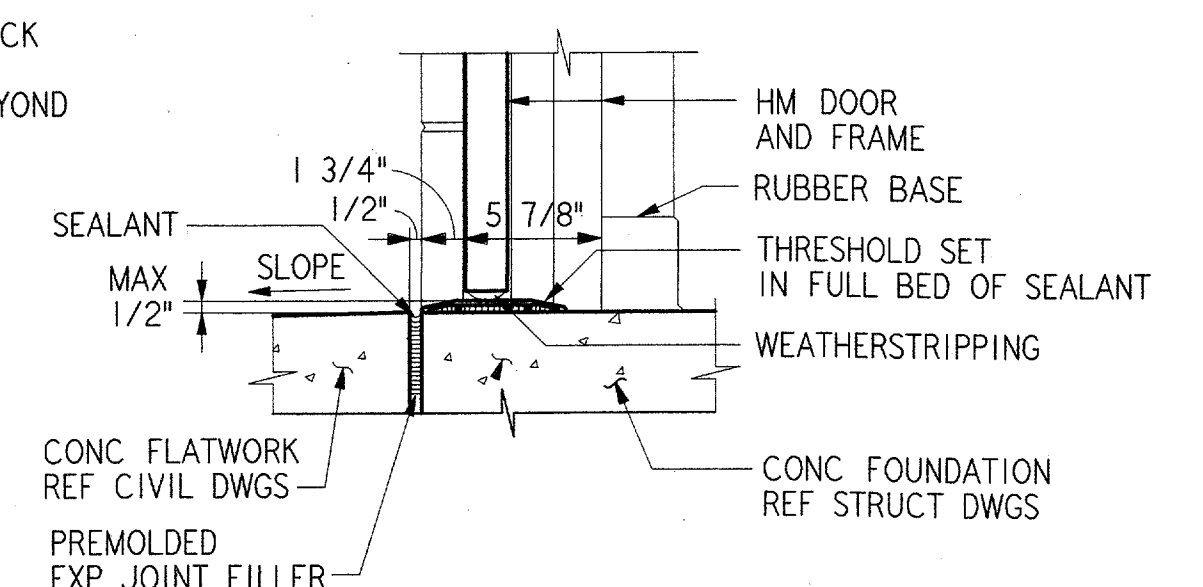
**HEAD DETAIL**  
3" = 1'-0"  
REF A21 A19



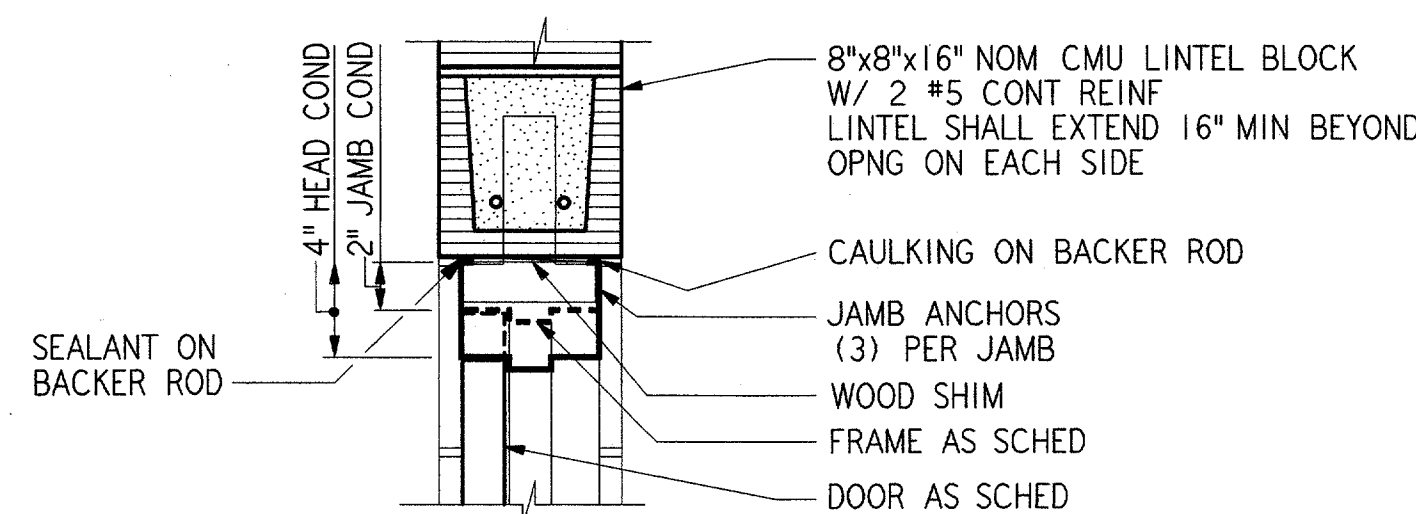
**JAMB DETAIL**  
3" = 1'-0"  
REF A21 A19



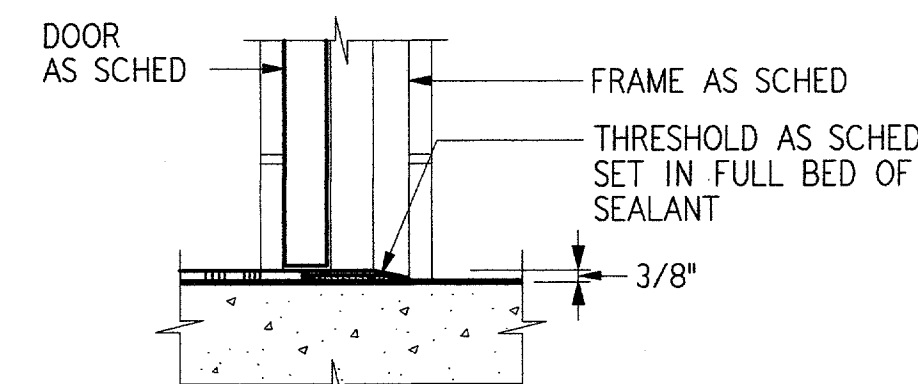
**HEAD/JAMB SIM**  
1 1/2" = 1'-0"  
REF A21 A19 A31



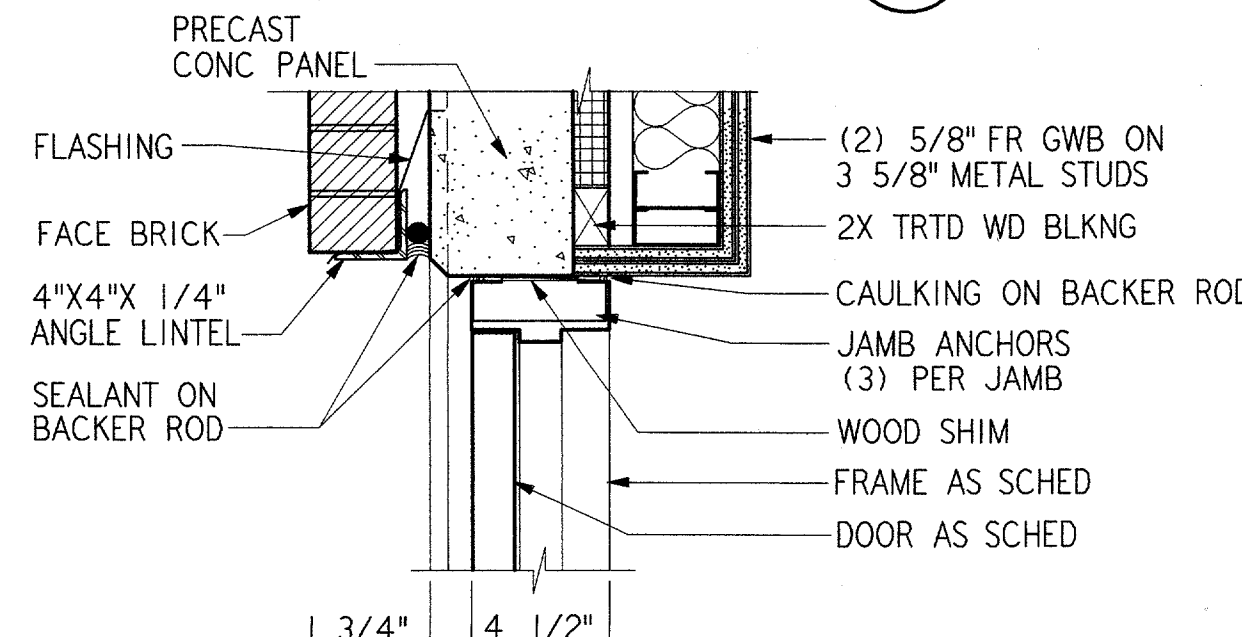
**SILL DETAIL**  
1 1/2" = 1'-0"  
REF A21 A19 A31



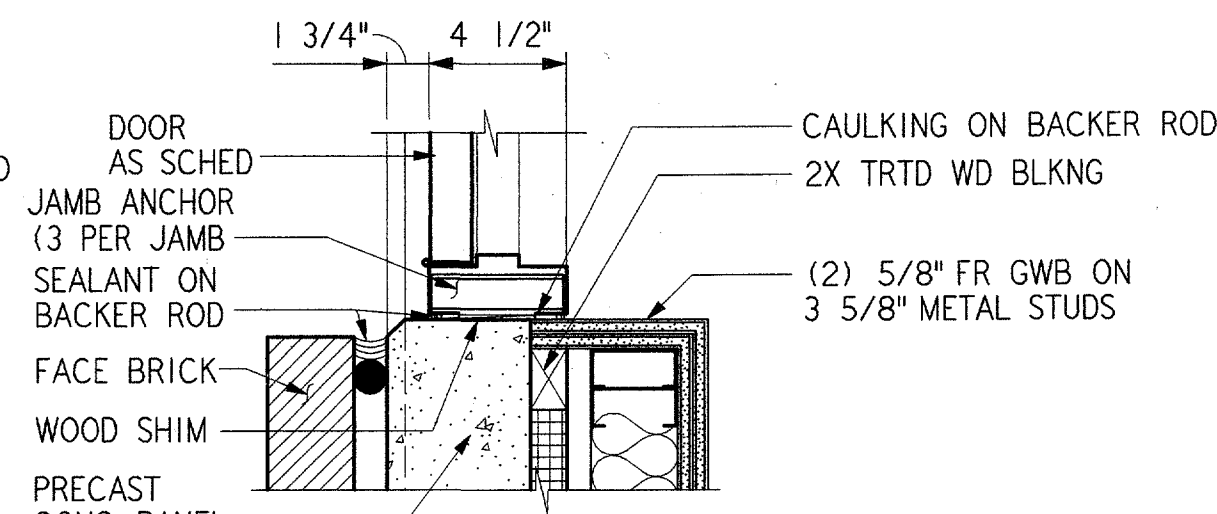
**HEAD/JAMB SIM**  
1 1/2" = 1'-0"  
REF A21 A19



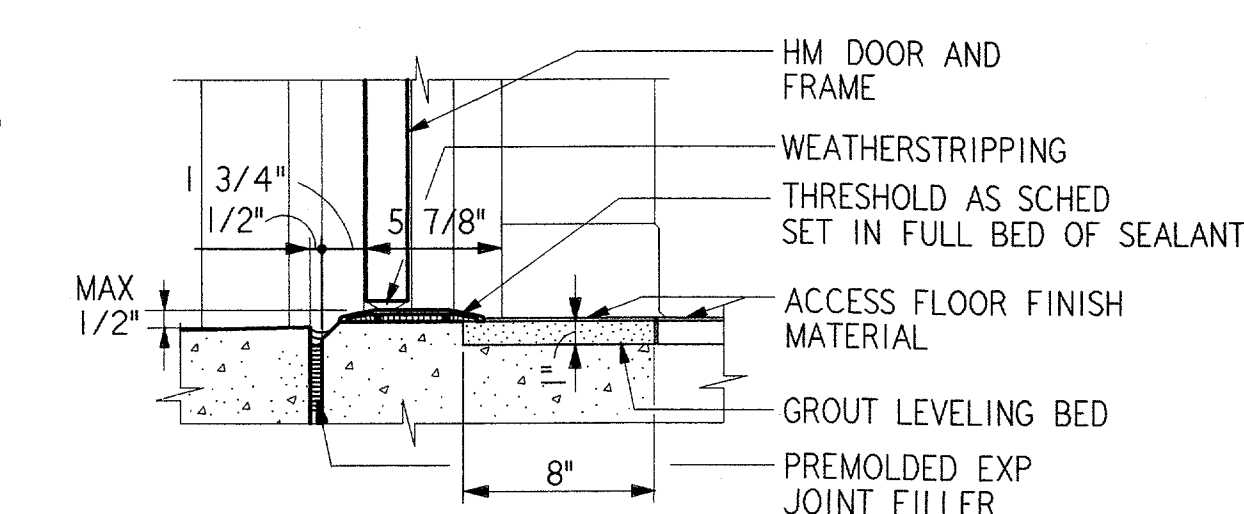
**SILL DETAIL**  
1 1/2" = 1'-0"  
REF A21 A19



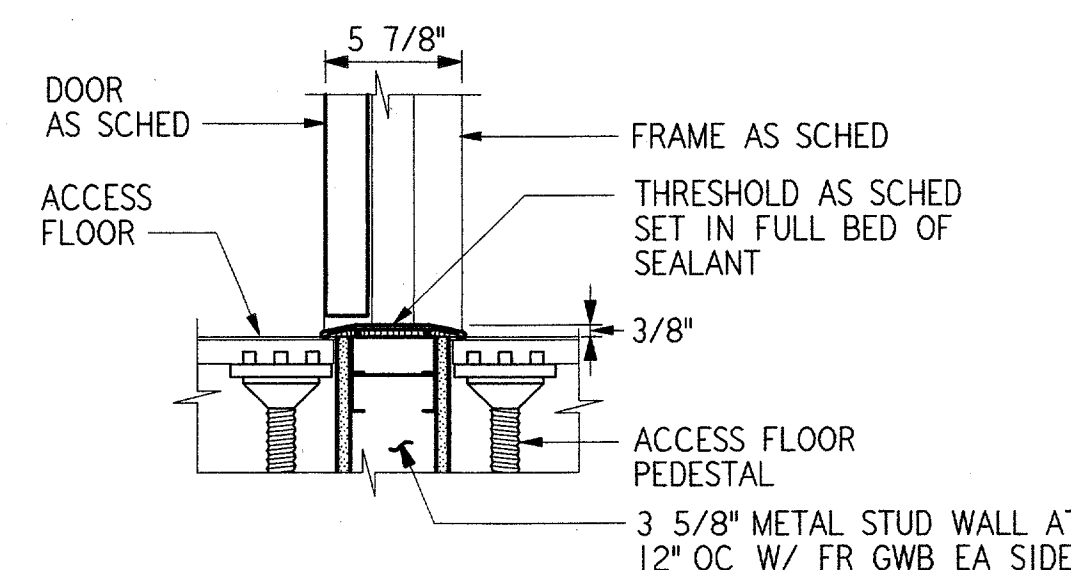
**HEAD DETAIL**  
1 1/2" = 1'-0"  
REF A21 A19



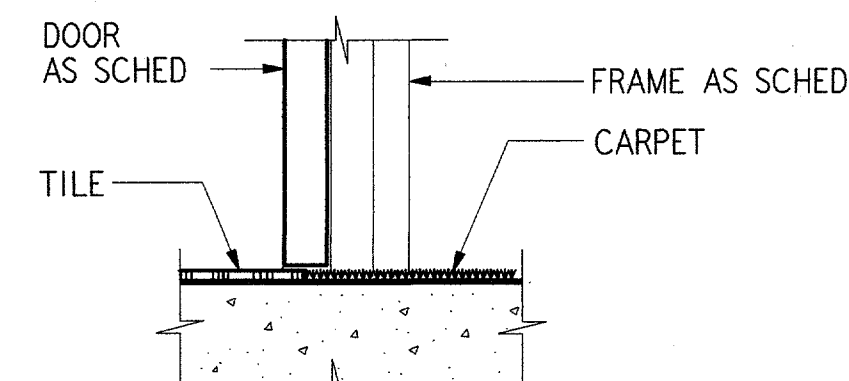
**JAMB DETAIL**  
1 1/2" = 1'-0"  
REF A21 A19



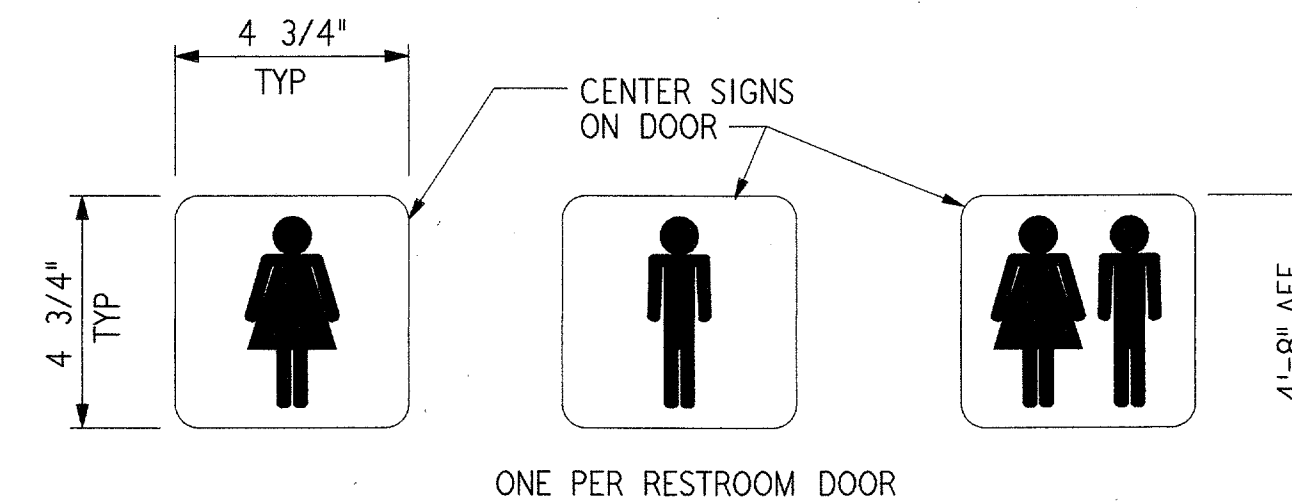
**SILL DETAIL**  
1 1/2" = 1'-0"  
REF A21 A19



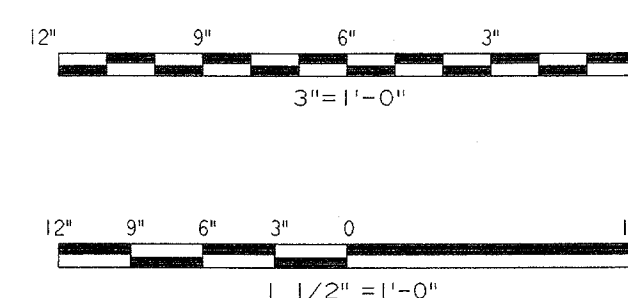
**SILL DETAIL**  
1 1/2" = 1'-0"  
REF A21 A19



**SILL DETAIL**  
1 1/2" = 1'-0"  
REF A21 A19



**DETAIL SIGNAGE**  
3" = 1'-0"  
REF A21 A19



REV. DATE DESCRIPTION DFTG. CHECKED

DALLAS, TX

DEPARTMENT OF TRANSPORTATION  
FEDERAL AVIATION ADMINISTRATION  
SOUTHWEST REGION FORT WORTH, TEXAS  
LOW ACTIVITY LEVEL  
AIRPORT TRAFFIC CONTROL TOWER  
DOOR DETAILS  
BASE-EG BUILDING  
(ADDISON AIRPORT) TEXAS

ADDISON  
SUBMITTED: *James C. Harper*  
DESIGNED: GARY WILLIAMS  
REVIEWED: A. AMBARDEKAR  
ORIG. DFT.: E. DANE  
FACILITY:

APPROVED: *Chris Kelly*  
MANAGER TERMINAL PLATFORM, ANI-640

ISSUED BY  
AIRWAY FACILITIES  
DIVISION

DATE: 06-22-01  
DRAWING NUMBER:  
ADS-ATCT- A21

A21

FILENAME: ADS\A021.DDT