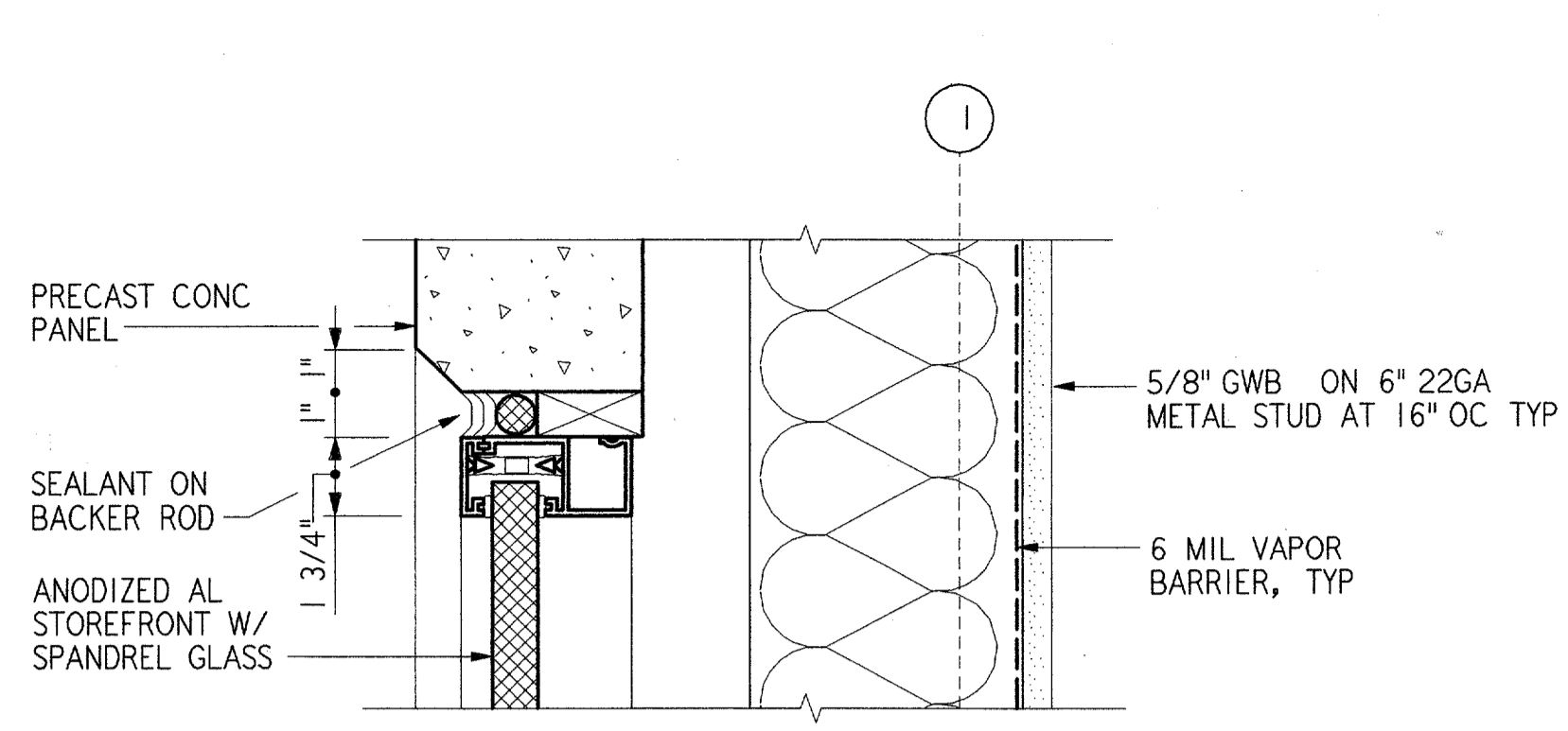
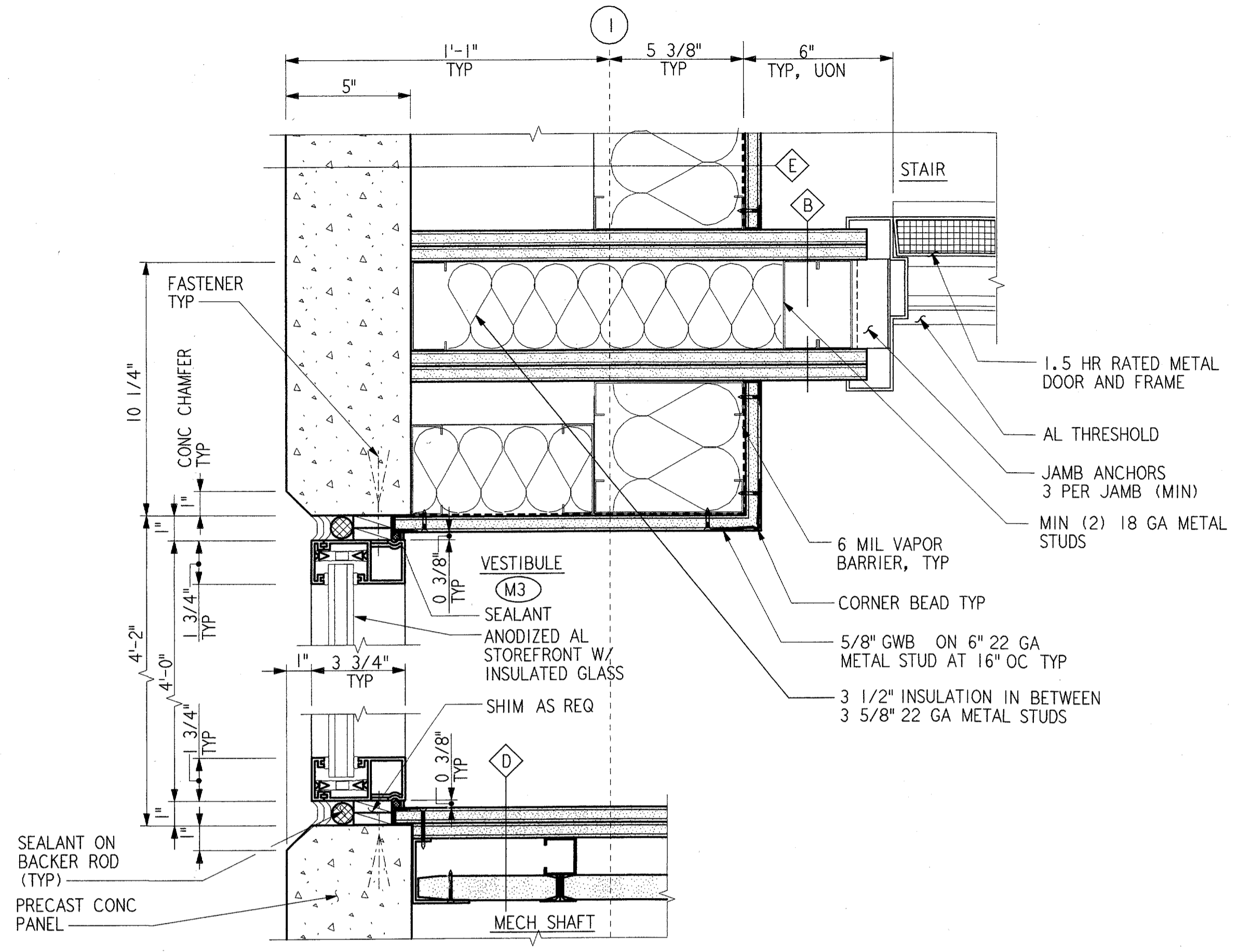


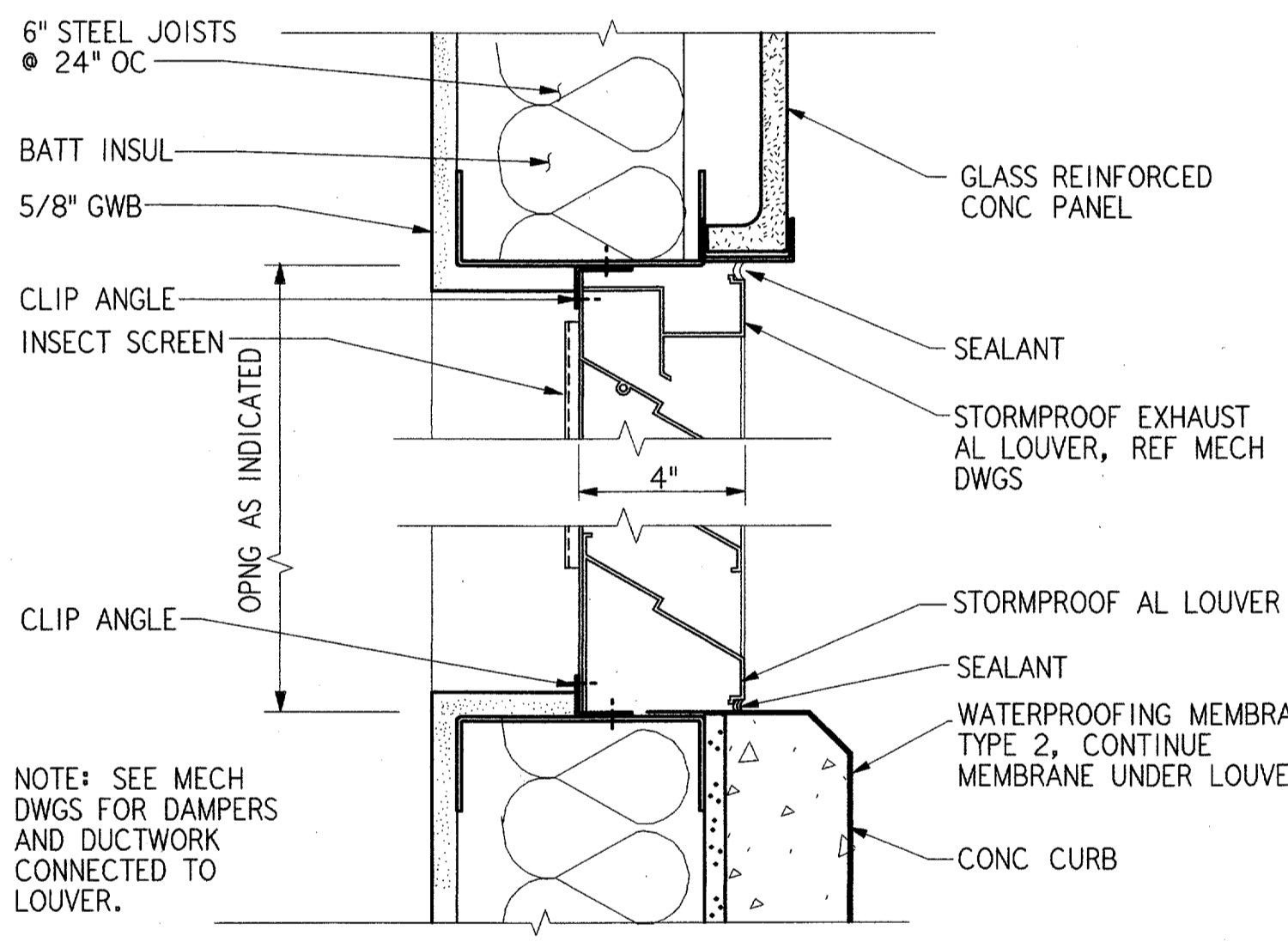
SPANDREL HEAD
3" = 1'-0"
REF A07
A22



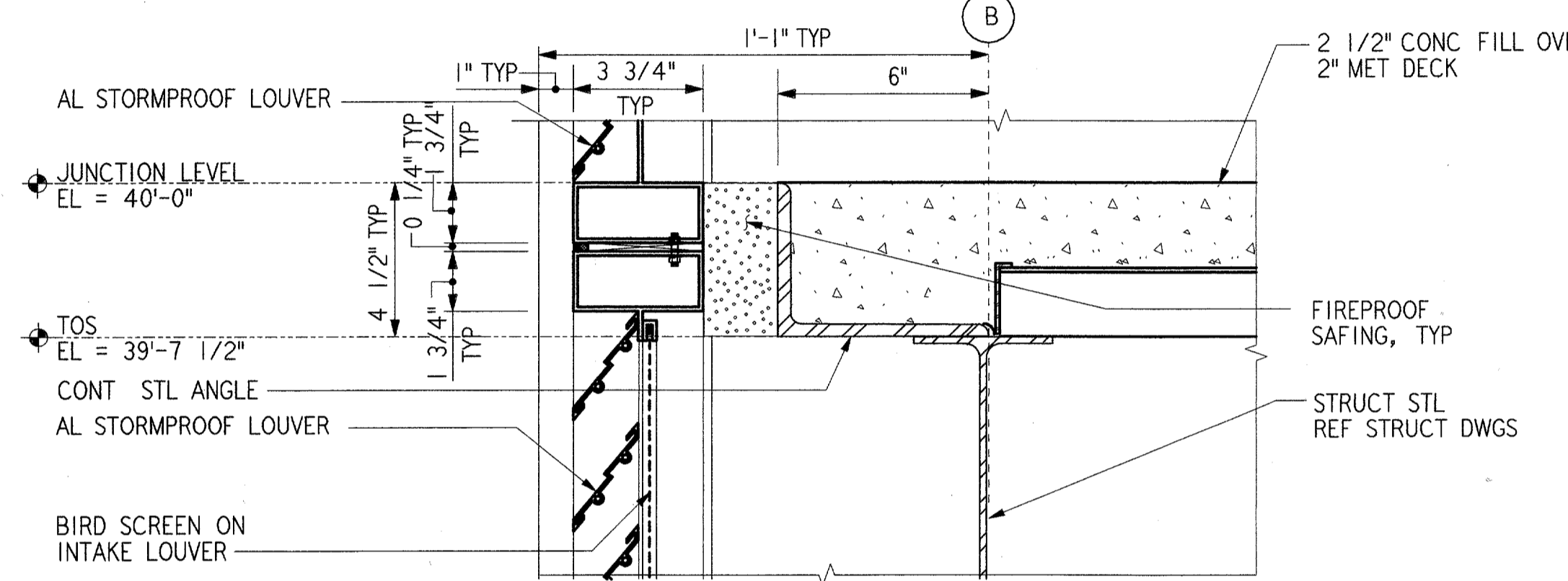
SPANDREL HEAD
3" = 1'-0"
REF A07
A22



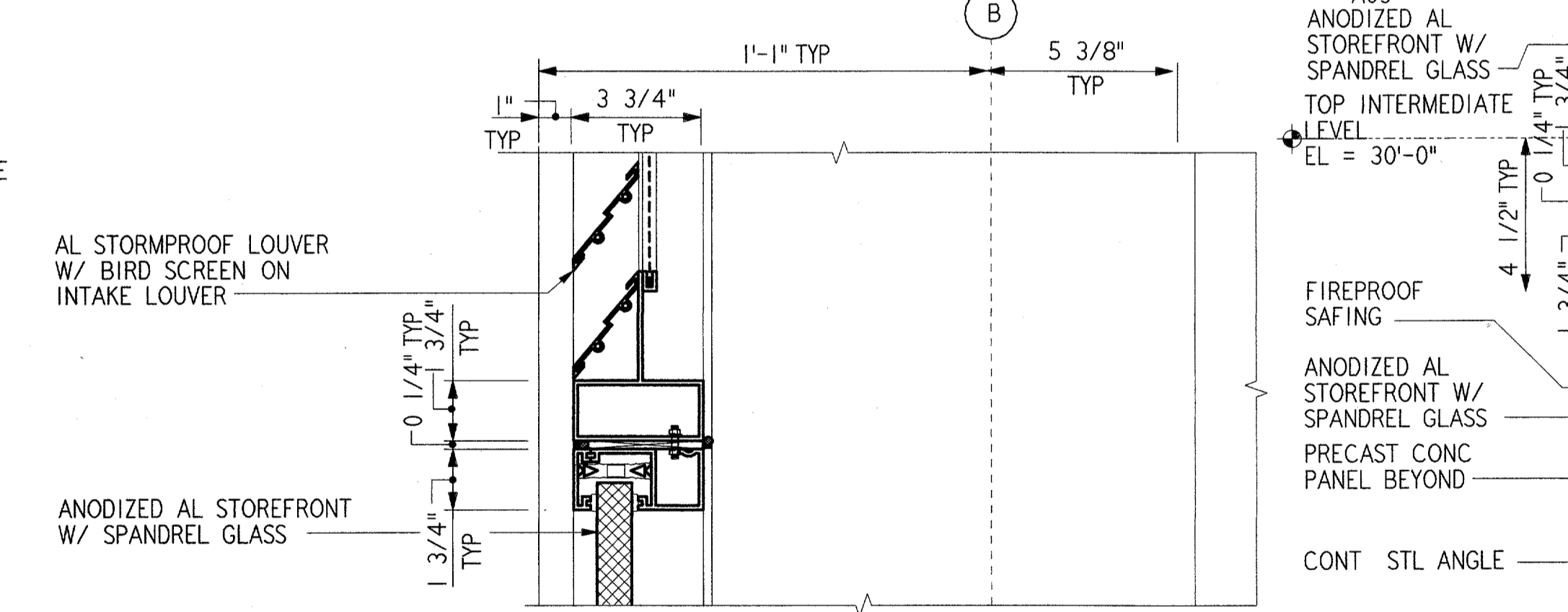
INSUL GLASS JAMB DETAIL
3" = 1'-0"
REF A07
A22



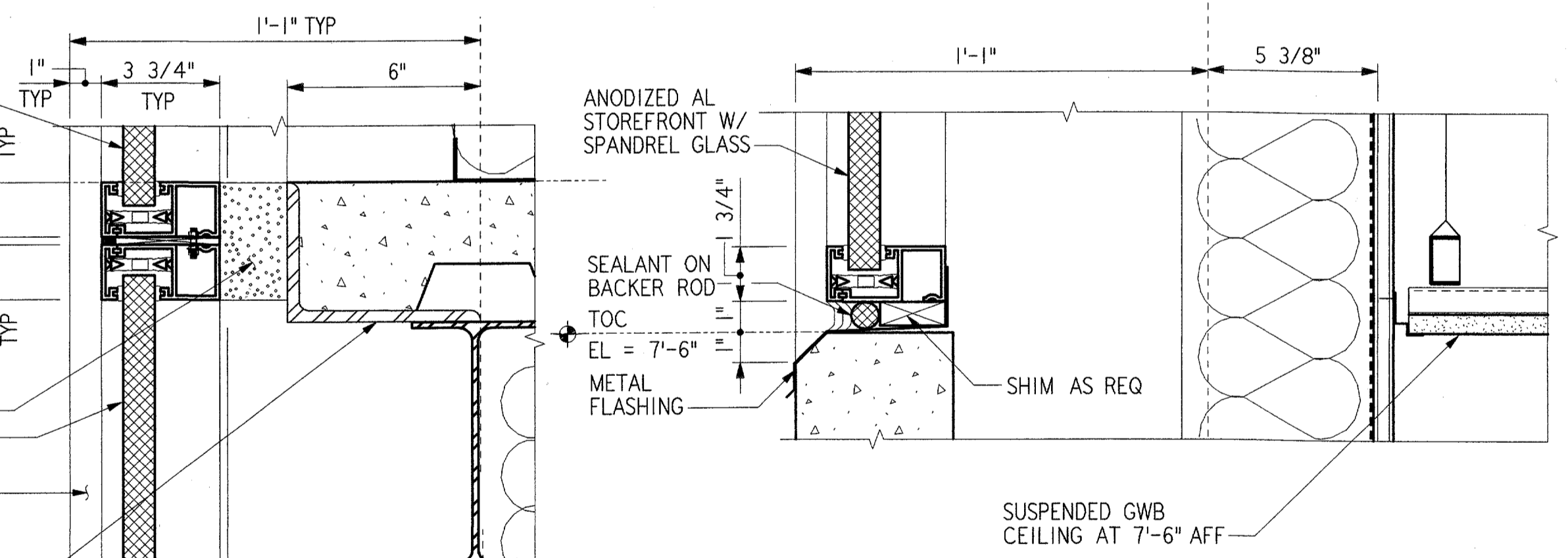
LOUVER DETAIL
3" = 1'-0"
REF A07
A22



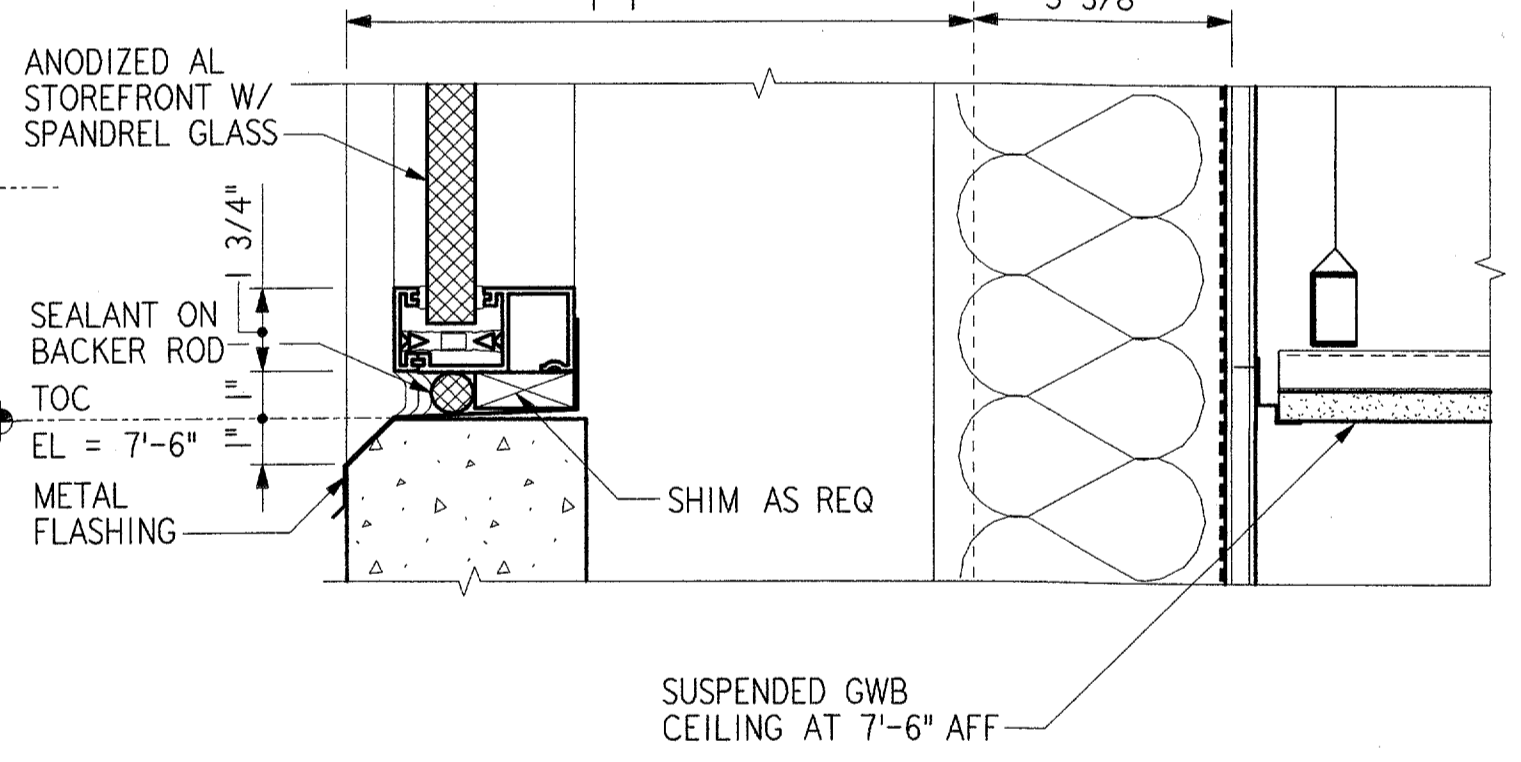
LOUVER HEAD AND SILL
3" = 1'-0"
REF A09
A22



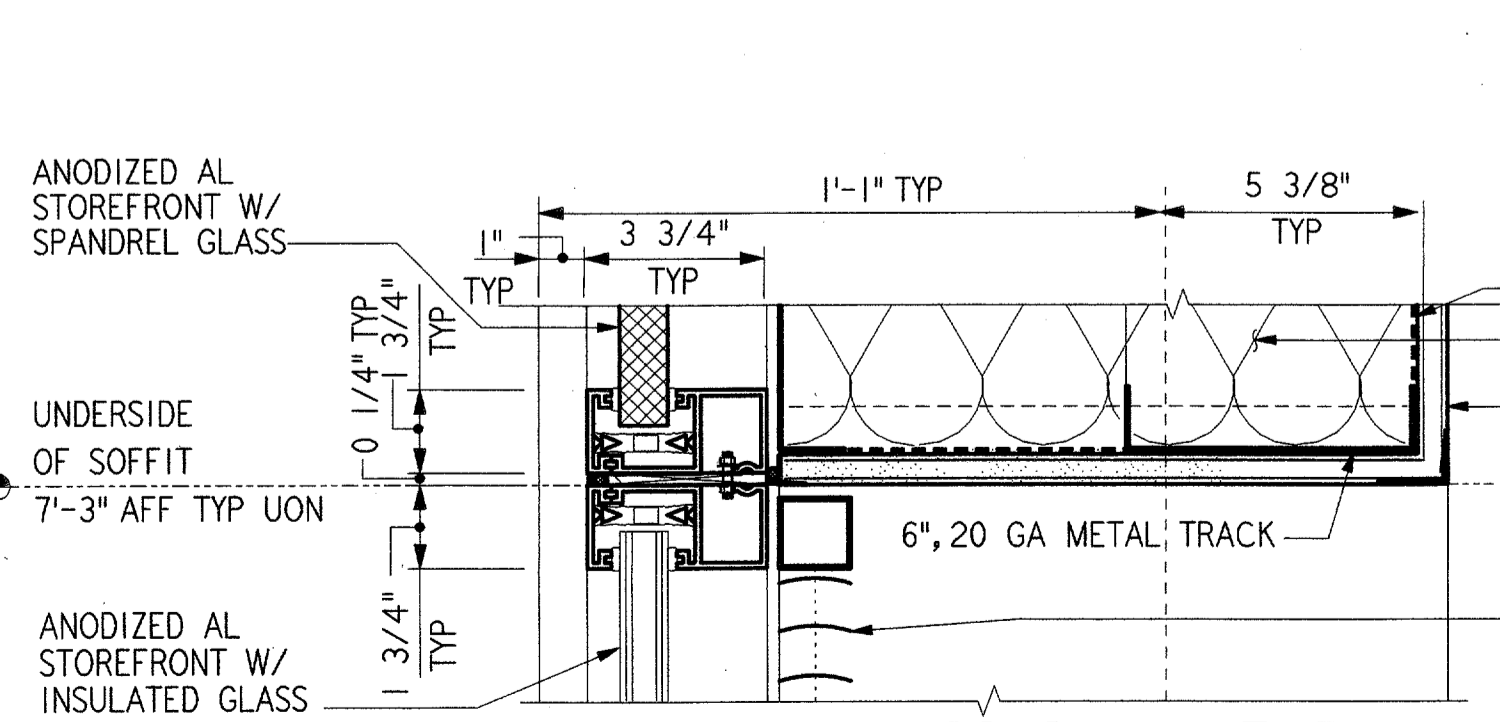
LOUVER SILL/SPANDREL HEAD
3" = 1'-0"
REF A09
A22



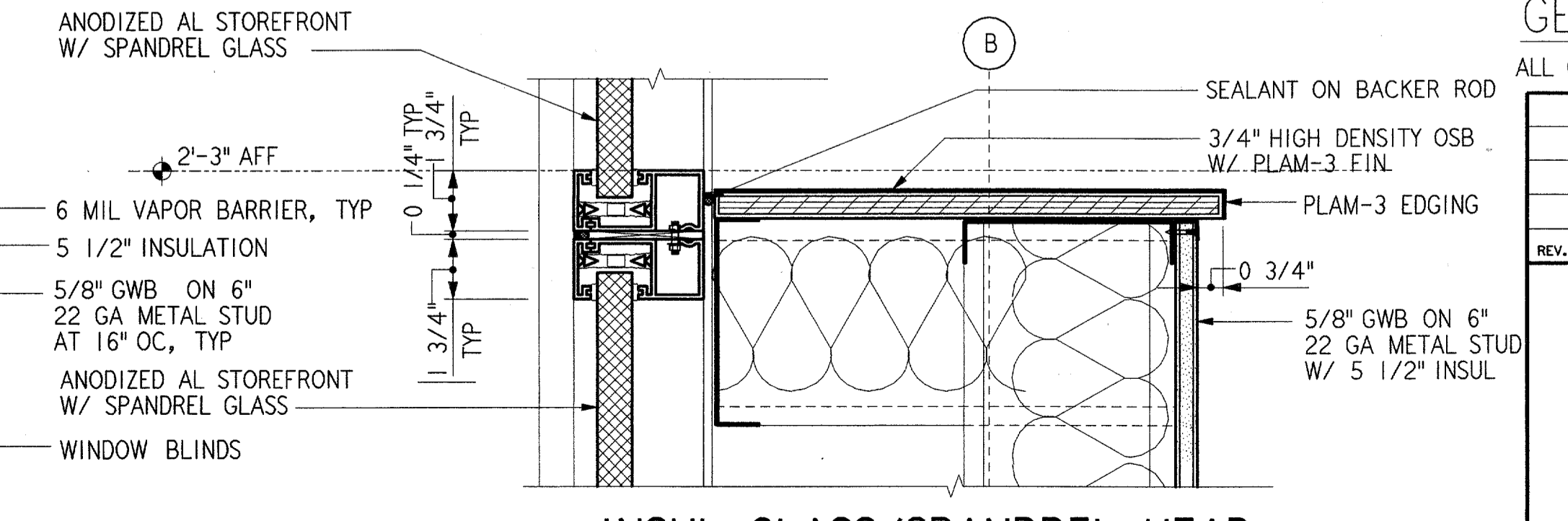
SPANDREL HEAD/SILL
3" = 1'-0"
REF A09
A22



SPANDREL SILL
3" = 1'-0"
REF A07
A22



SPANDREL SILL/INSUL GLASS SILL HEAD
3" = 1'-0"
REF A07
A22

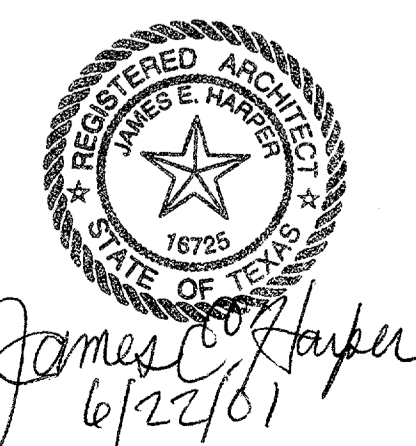


INSUL GLASS/SPANDREL HEAD
3" = 1'-0"
REF A09
A22

GENERAL NOTES:

ALL GYPSUM WALLBOARD SHALL BE TYPE "X" FIRE RATED

REV.	DATE	DESCRIPTION	DFTG.	CHECKED



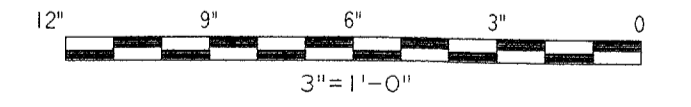
DEPARTMENT OF TRANSPORTATION
FEDERAL AVIATION ADMINISTRATION
SOUTHWEST REGION FORT WORTH, TEXAS
LOW ACTIVITY LEVEL
AIRPORT TRAFFIC CONTROL TOWER
GLAZING AND LOUVER DETAILS
ATCT

ADDISON (ADDISON AIRPORT) TEXAS

DESIGNED BY: GARY WILLIAMS
REVIEWED BY: A. AMBARDEKAR
ORIG. DFT. BY: S. RAJPREKASH
FACILITY:

ISSUED BY: AIRWAY FACILITIES DIVISION
DATE: 06-22-01
DRAWING NUMBER: ADS-ATCT- A22

MANAGER TERMINAL PLATFORM, ANI-640



A22

FILENAME: ADS/A022.DTT