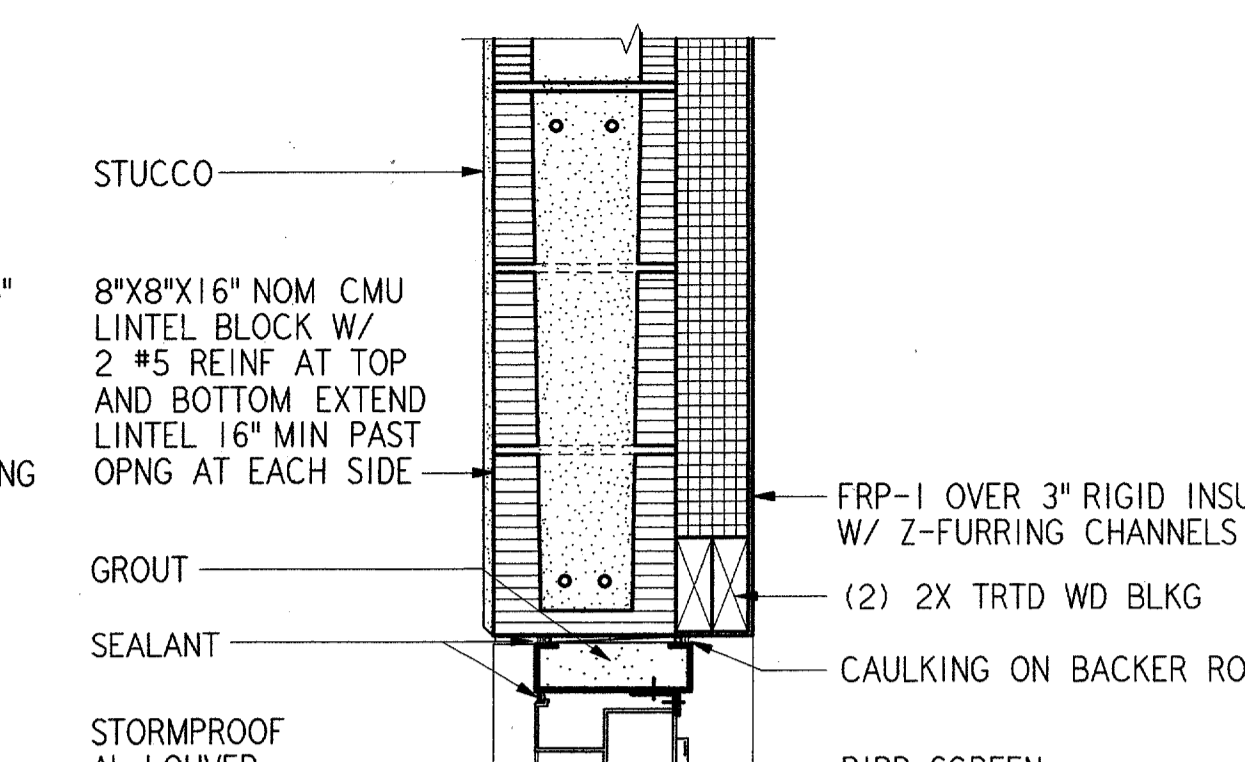


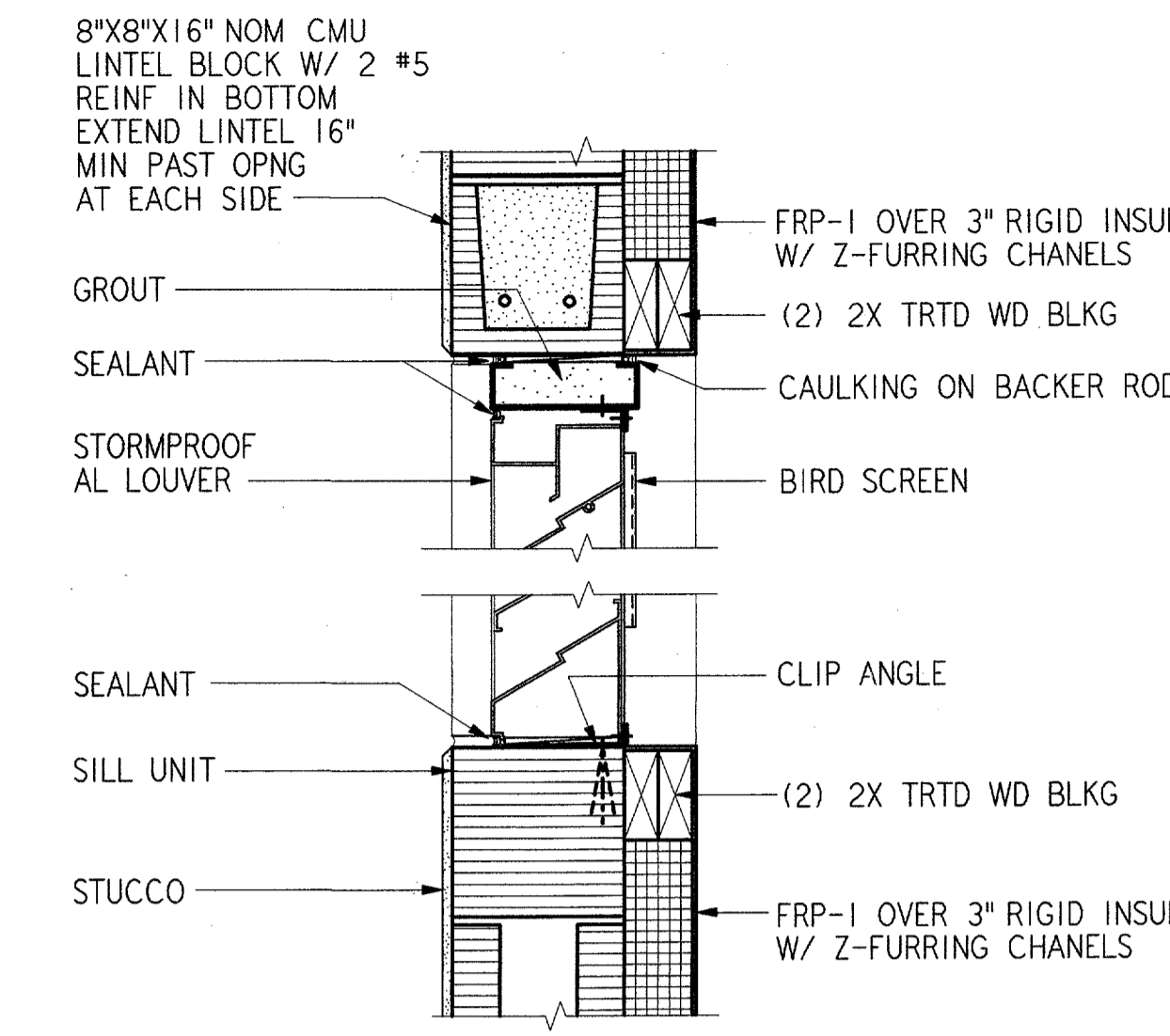
HEAD DETAIL
1 1/2" = 1'-0"
(W/O FACE BRICK)

1 REF A23 A30
1A REF A23 A30



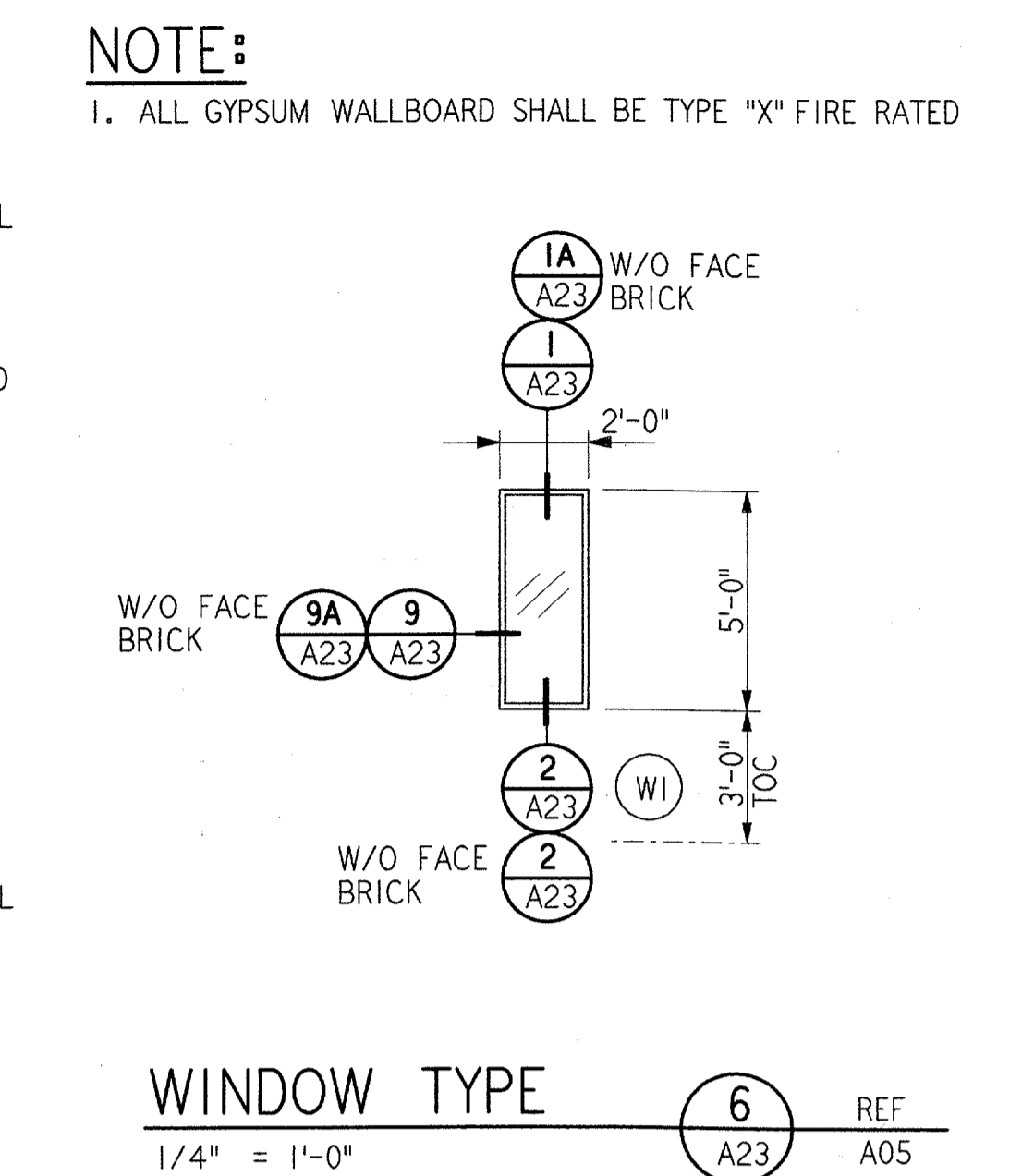
LOUVER DETAIL
1 1/2" = 1'-0"

4 REF A23 A11



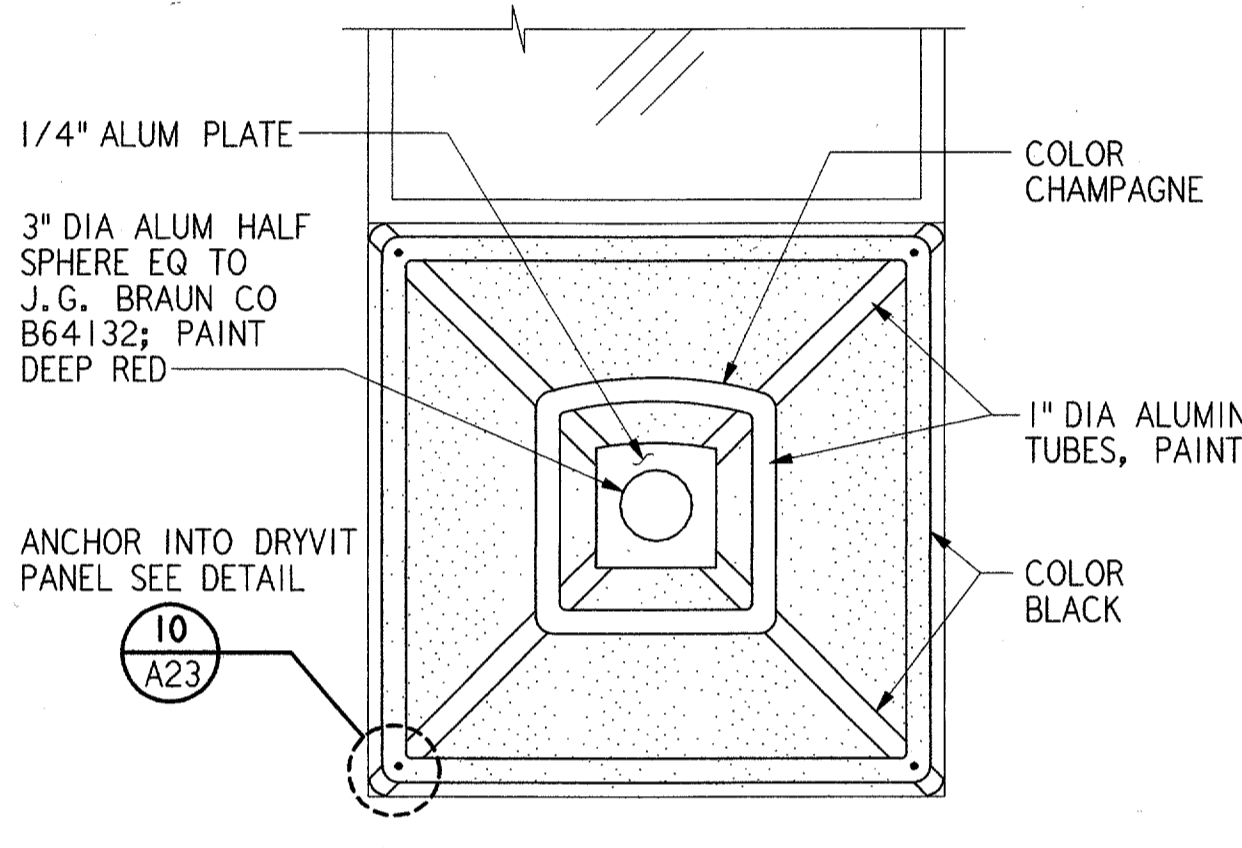
LOUVER DETAIL
1 1/2" = 1'-0"

5 REF A23 A11



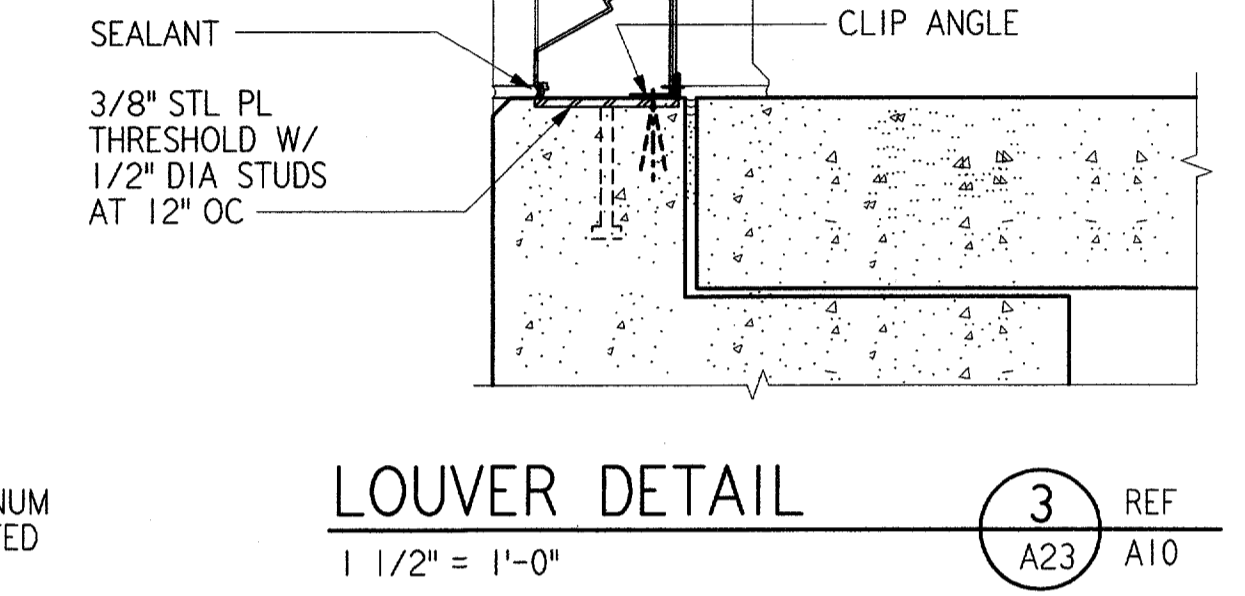
WINDOW TYPE
1/4" = 1'-0"

6 REF A23 A05



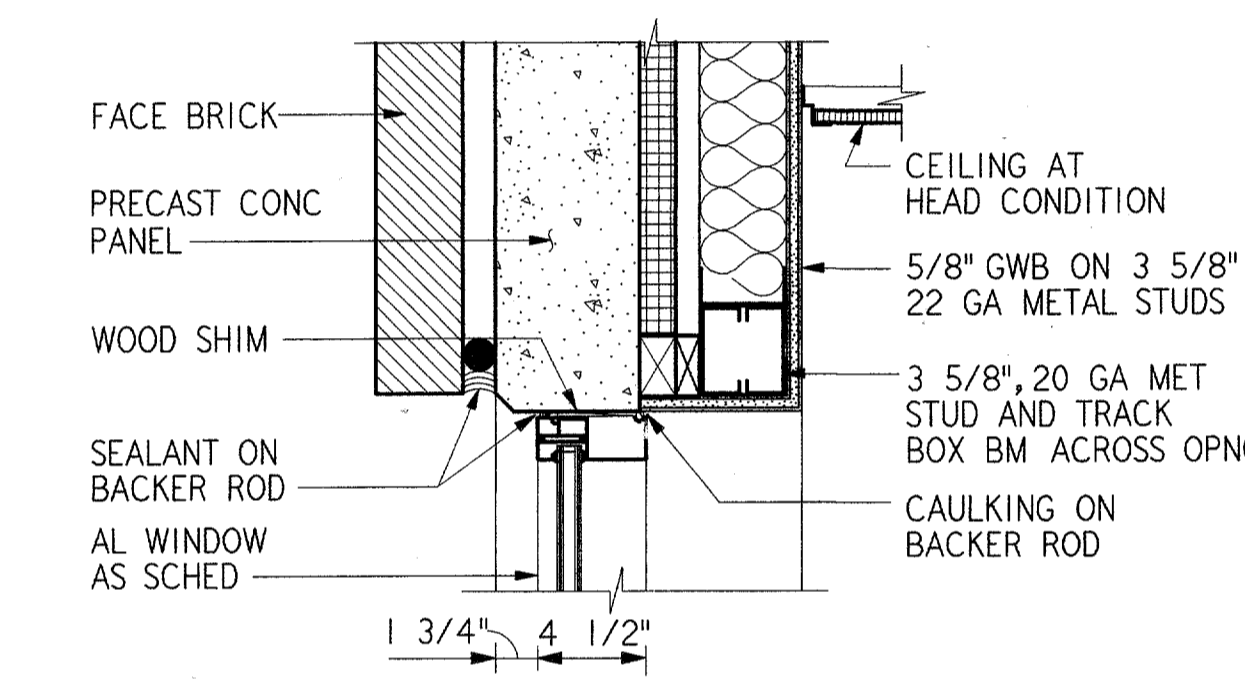
ELEVATION
1 1/2" = 1'-0"

10 REF A23



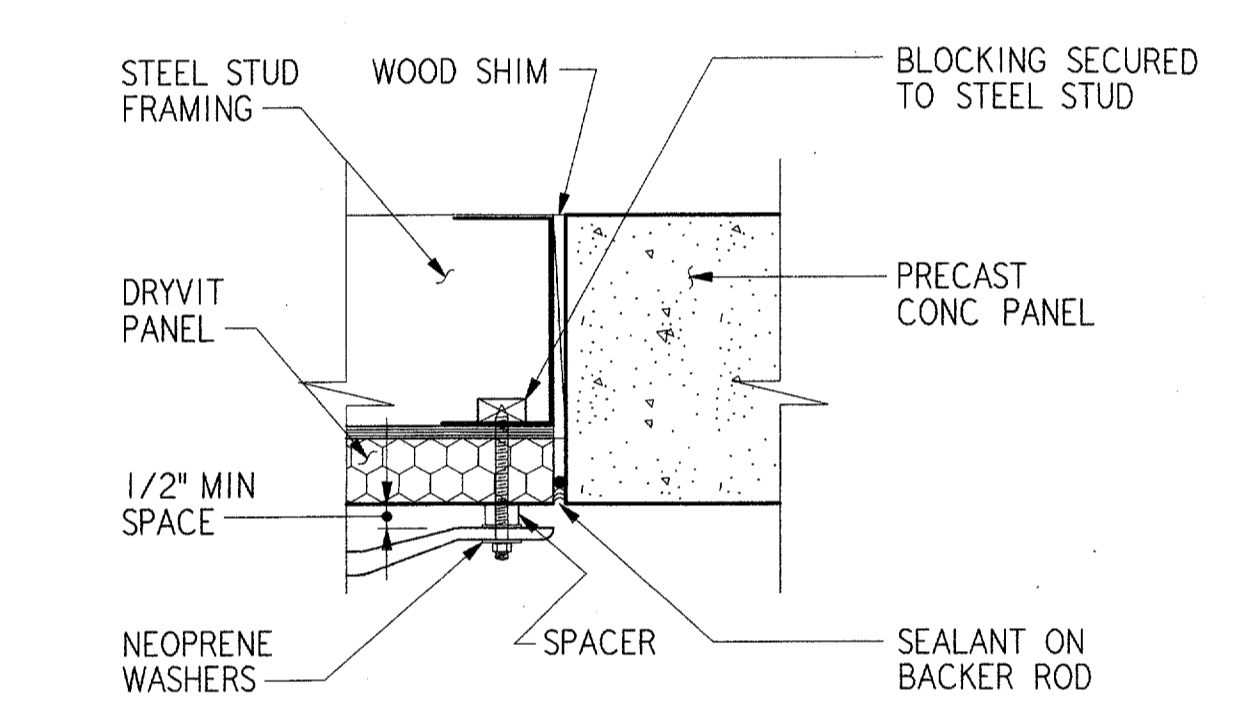
LOUVER DETAIL
1 1/2" = 1'-0"

3 REF A23 A10



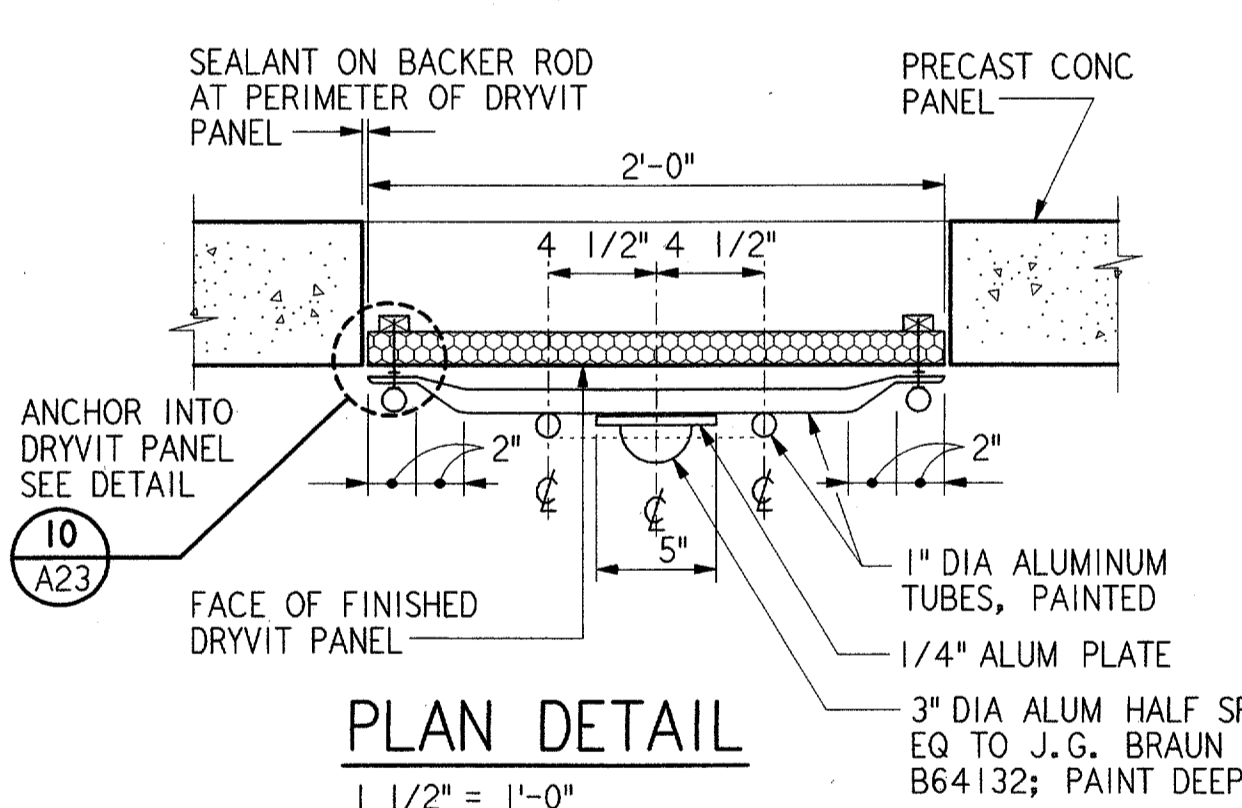
JAMB DETAIL
1 1/2" = 1'-0"
(W/O FACE BK)

9 REF A23
9A REF A23



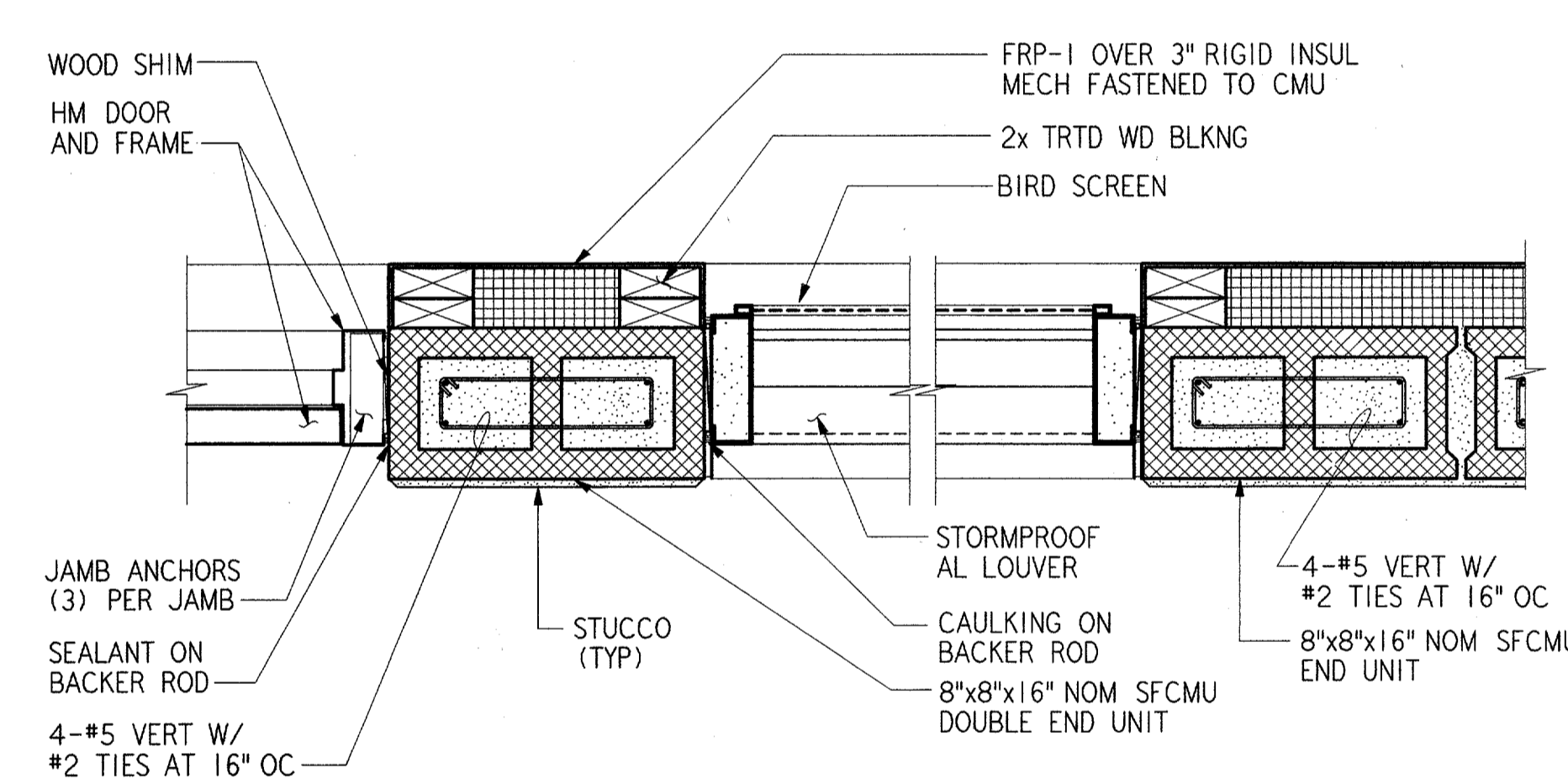
ANCHOR DETAIL
3" = 1'-0"

10 REF A23



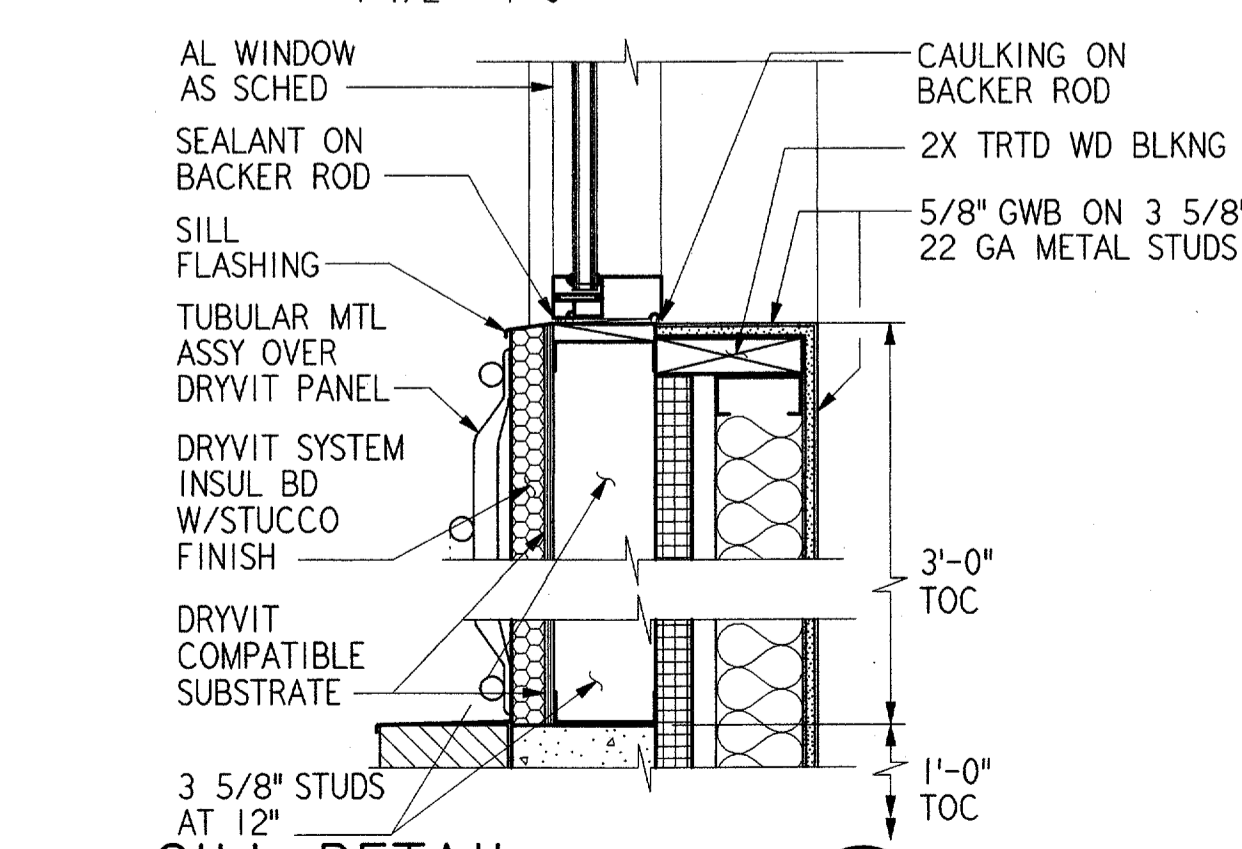
PLAN DETAIL
1 1/2" = 1'-0"

10 REF A23



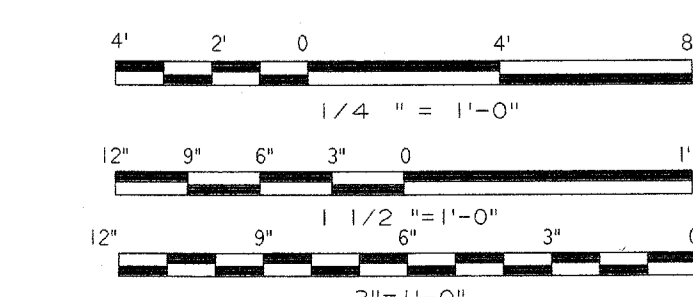
DOOR AND LOUVER JAMBS DETAIL
1 1/2" = 1'-0"

7 REF A23 A10

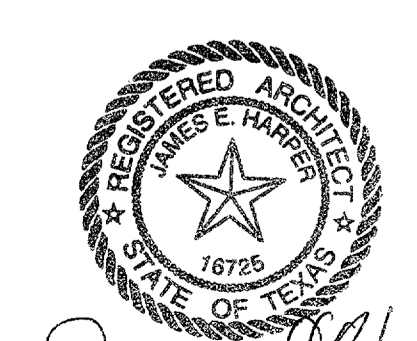



SILL DETAIL
1 1/2" = 1'-0"
(W/O FACE BRICK)

2 REF A23 A30
2A REF A23 A30



REV.	DATE	DESCRIPTION	DFTG.	CHECKED

DALLAS, TX

**DEPARTMENT OF TRANSPORTATION
FEDERAL AVIATION ADMINISTRATION**

SOUTHWEST REGION FORT WORTH, TEXAS

LOW ACTIVITY LEVEL
AIRPORT TRAFFIC CONTROL TOWER

**WINDOW AND LOUVER DETAILS
BASE-EG BUILDING**

(ADDISON AIRPORT) TEXAS

DESIGNED: GARY WILLIAMS	ISSUED BY: AIRWAY FACILITIES DIVISION	DATE: 06-22-01	DRAWING NUMBER: ADS-ATCT- A23
REVIEWED: A. AMBARDEKAR	ORIG. DFT.: E. DANE	FACILITY:	

APPROVED: *[Signature]*
MANAGER TERMINAL PLATFORM, ANI-640

A23
B
C
D
E
F
G
H
REF. DWG. :