

8

7

6

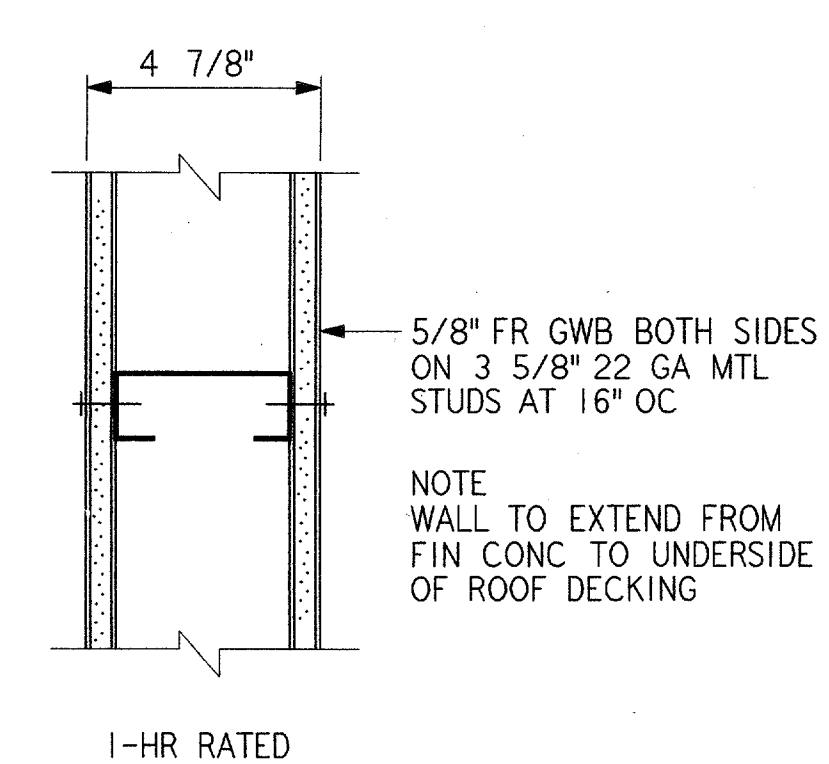
5

4

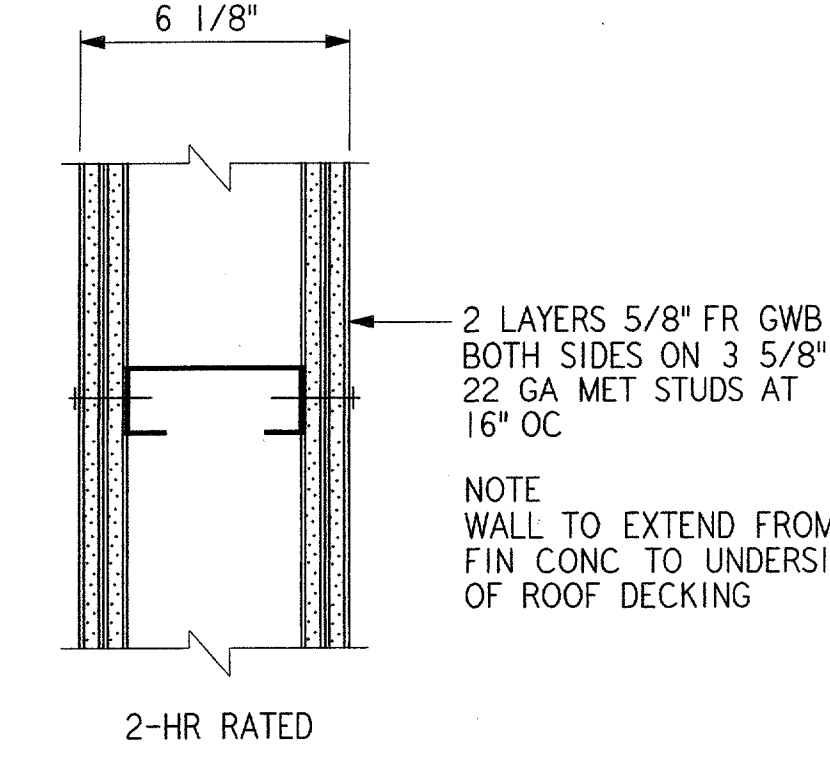
3

2

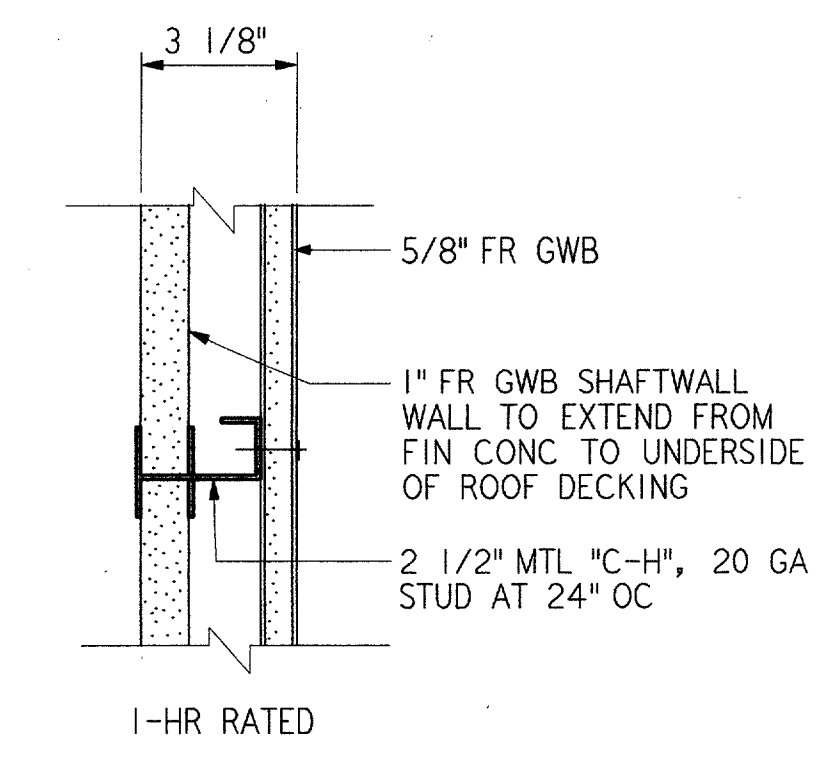
1



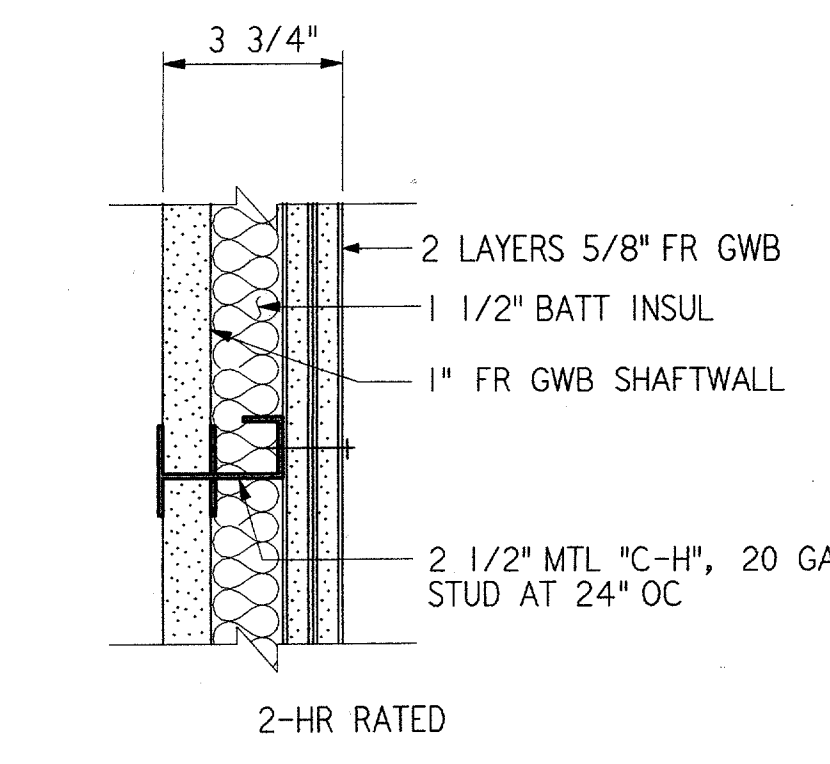
PARTITION TYPE-A



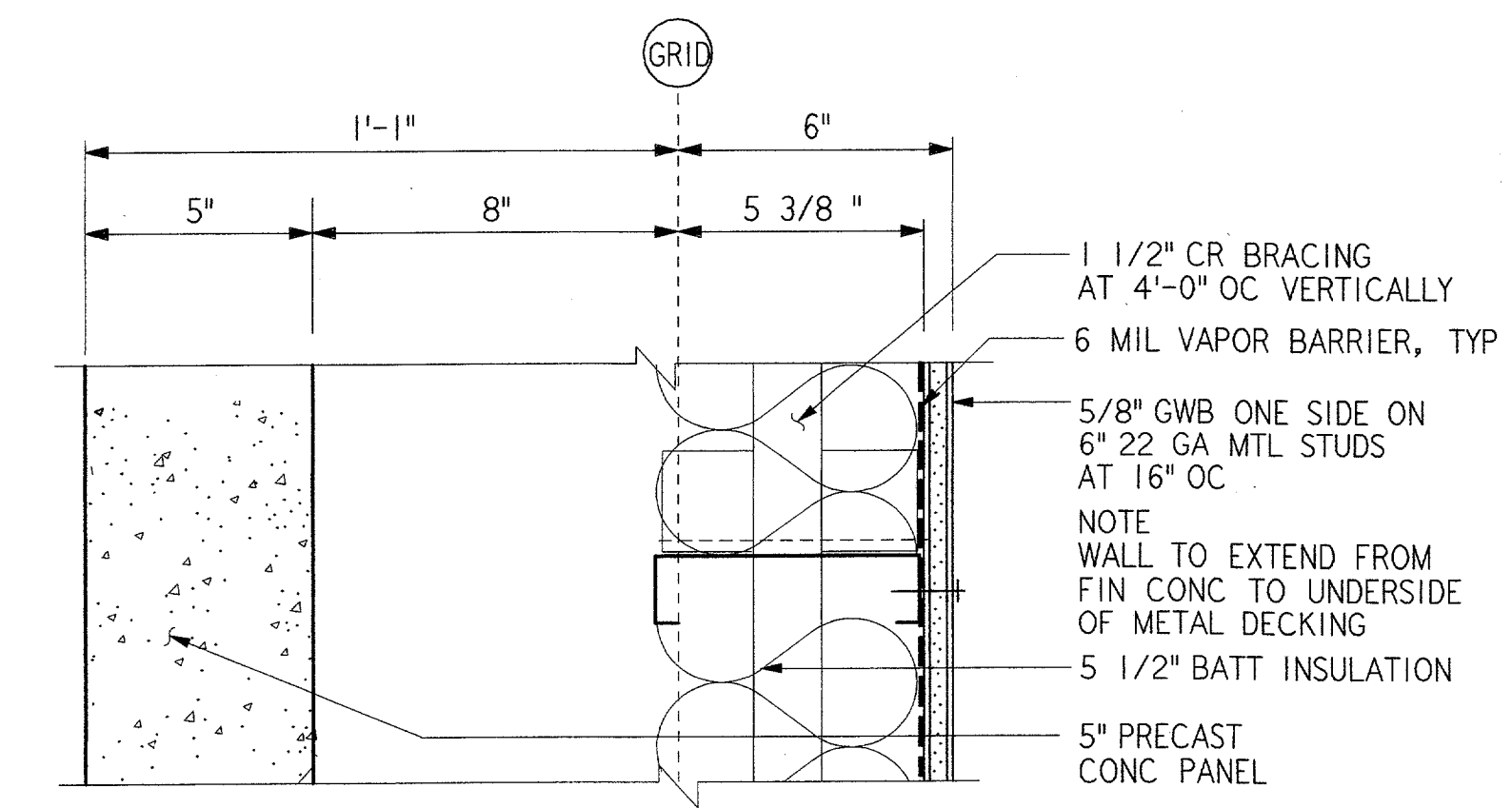
PARTITION TYPE-B



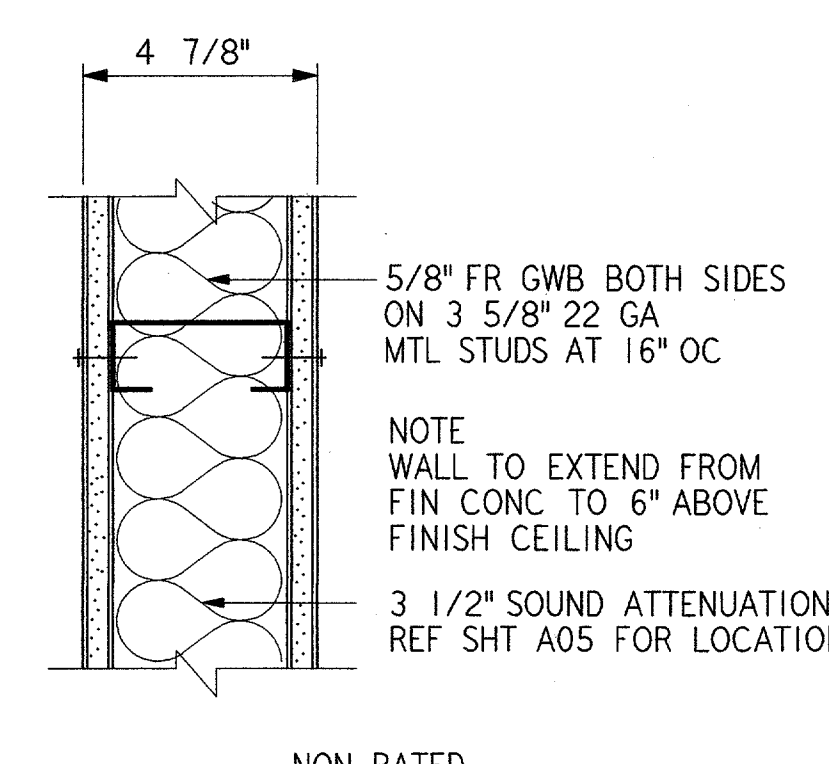
PARTITION TYPE-C



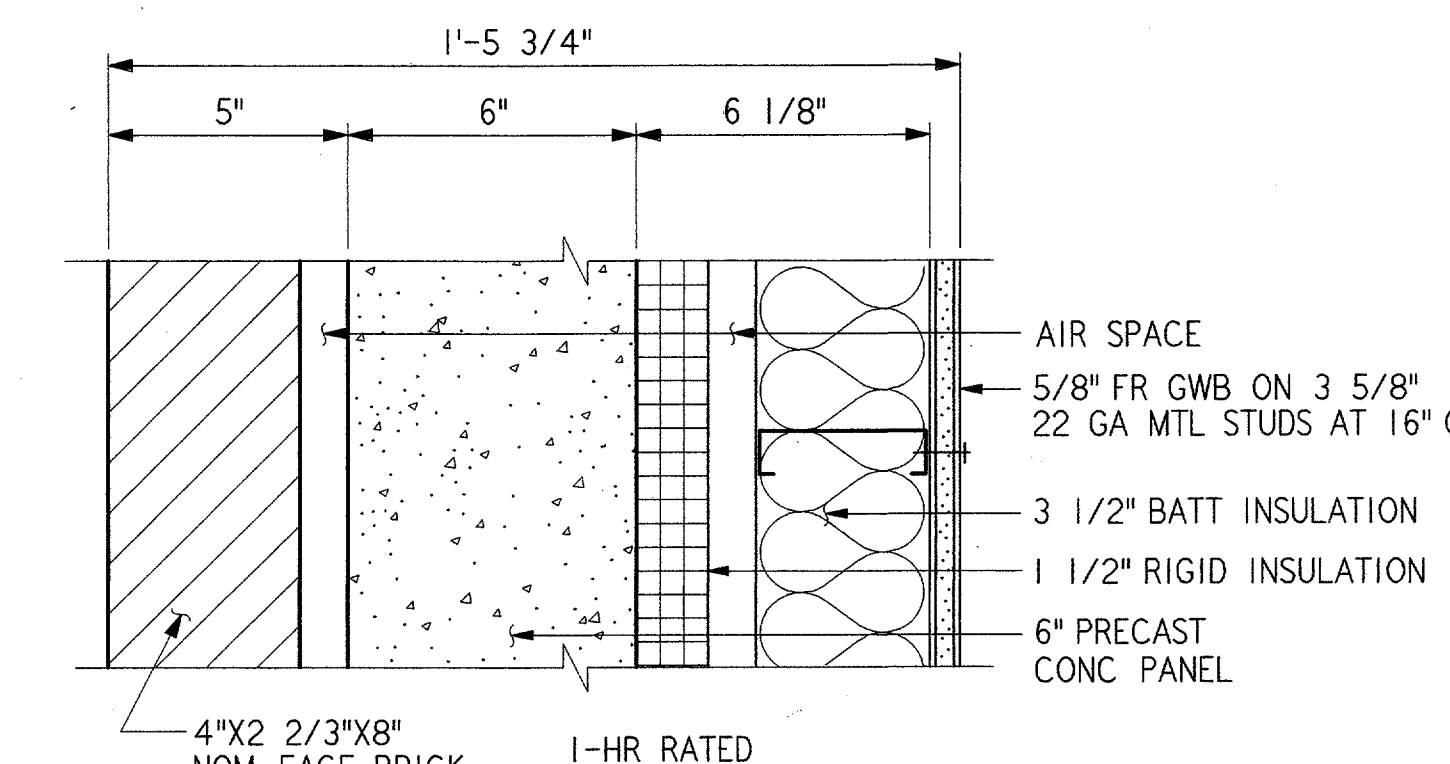
PARTITION TYPE-D



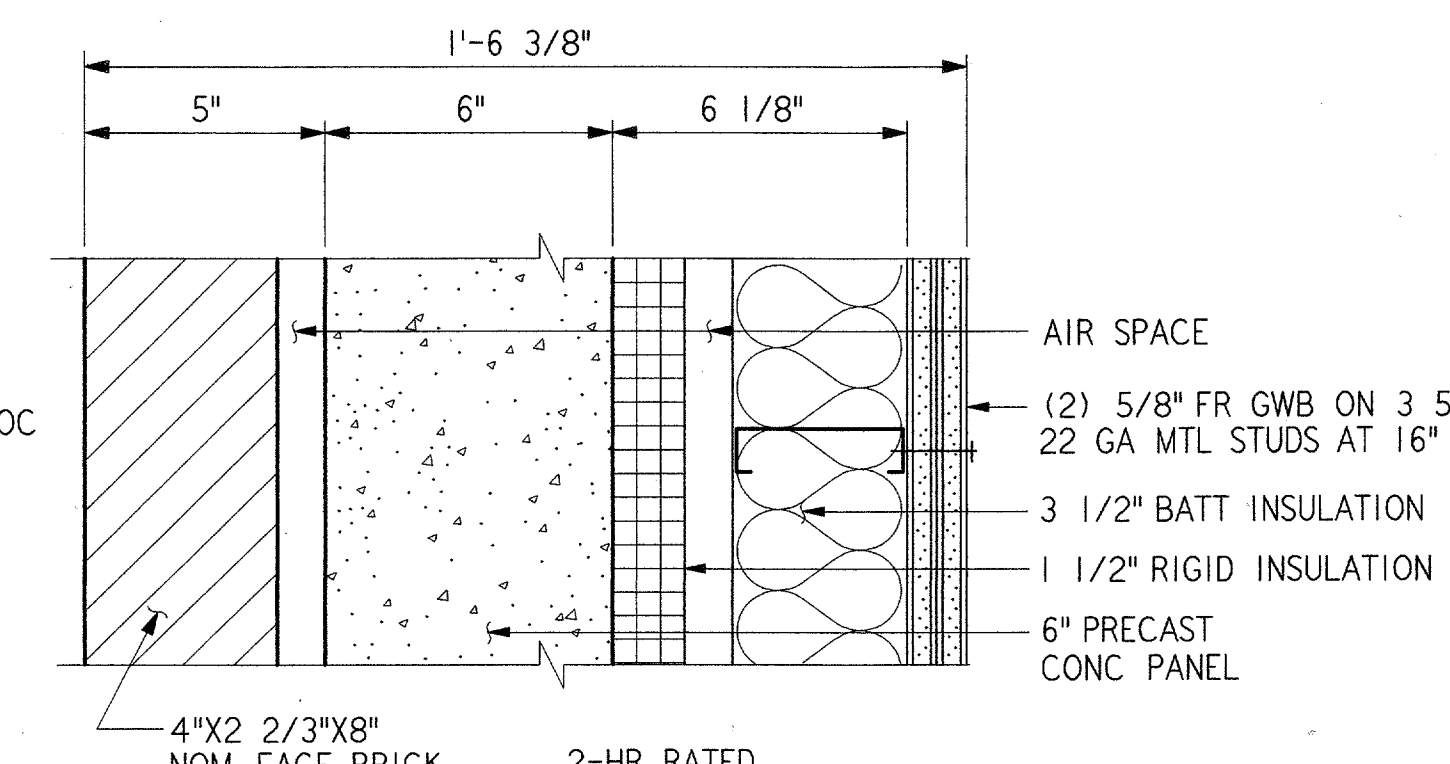
PARTITION TYPE E



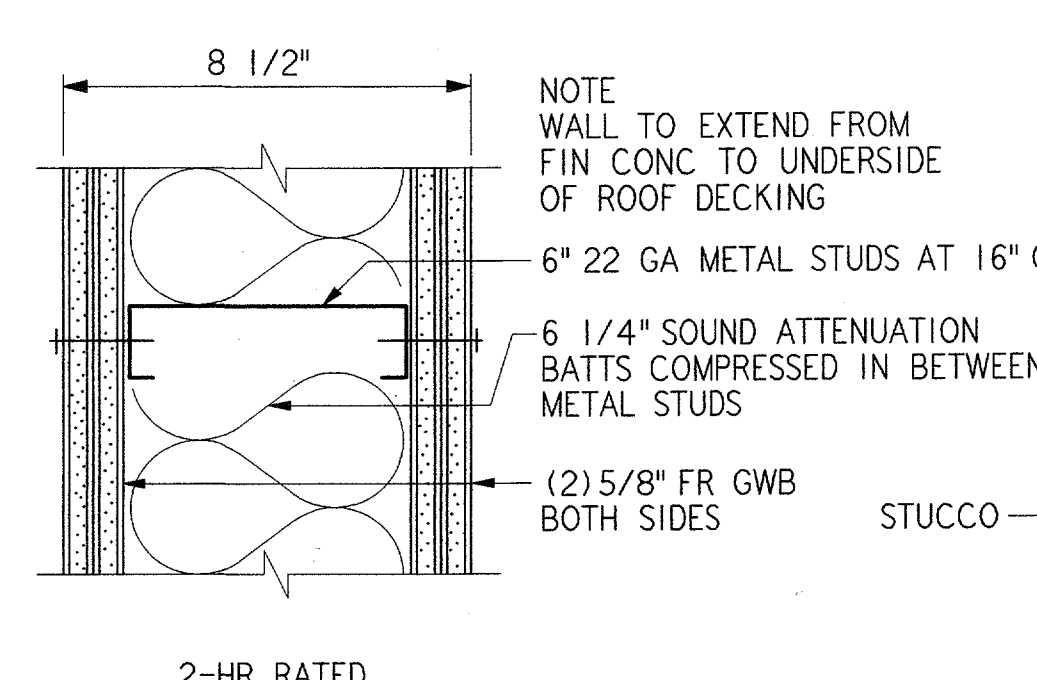
PARTITION TYPE-F



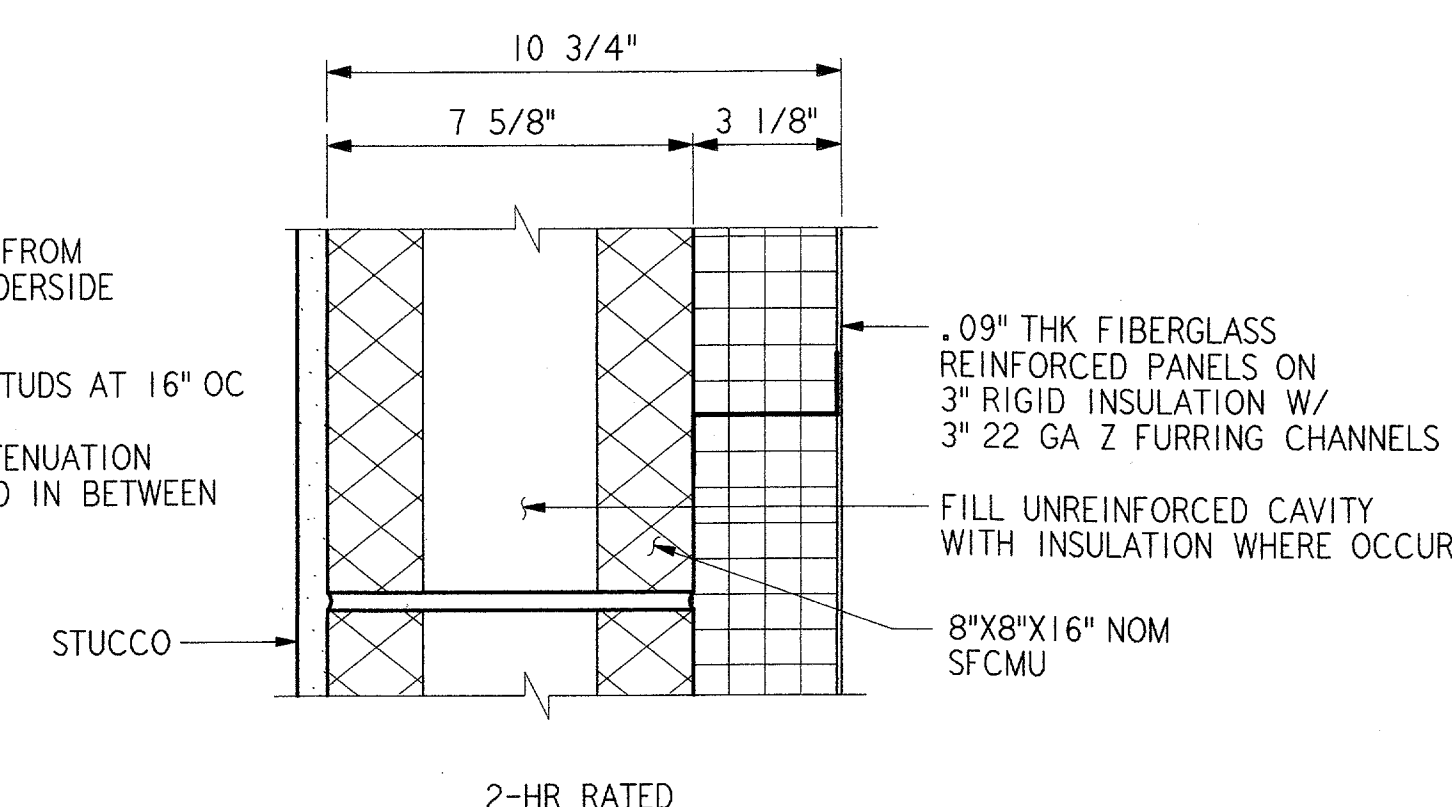
PARTITION TYPE-G/G-I WITH FACE BRICK



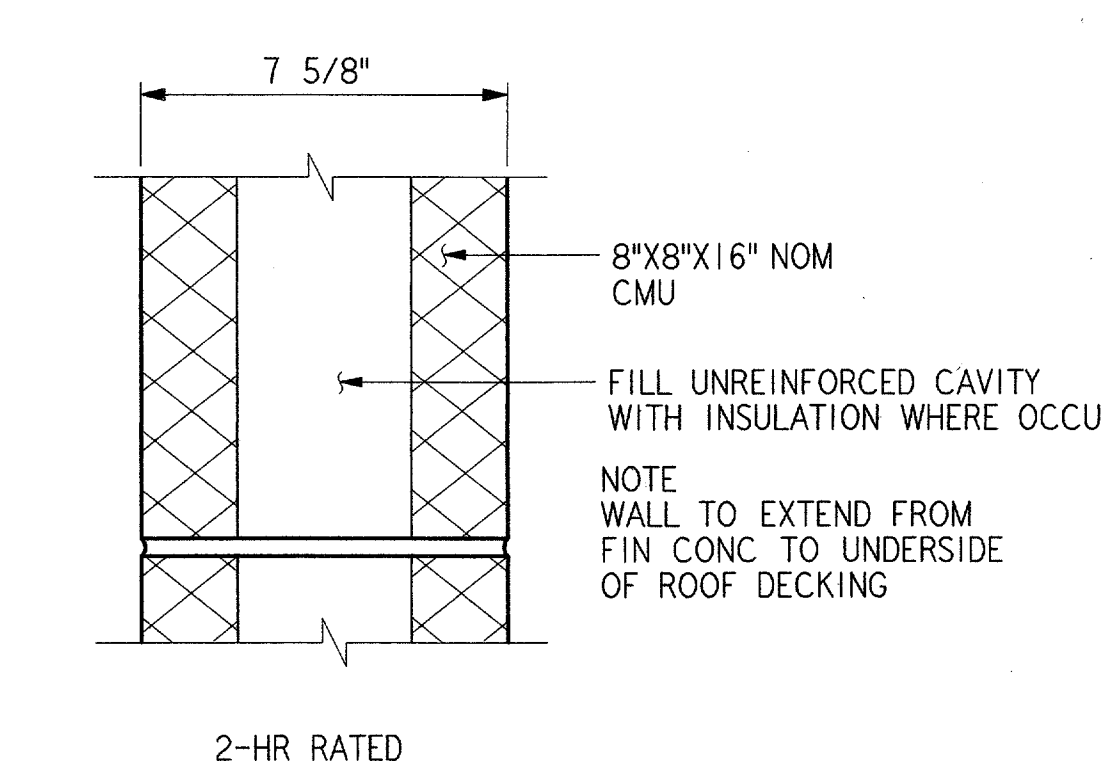
PARTITION TYPE-H/HI WITH FACE BRICK



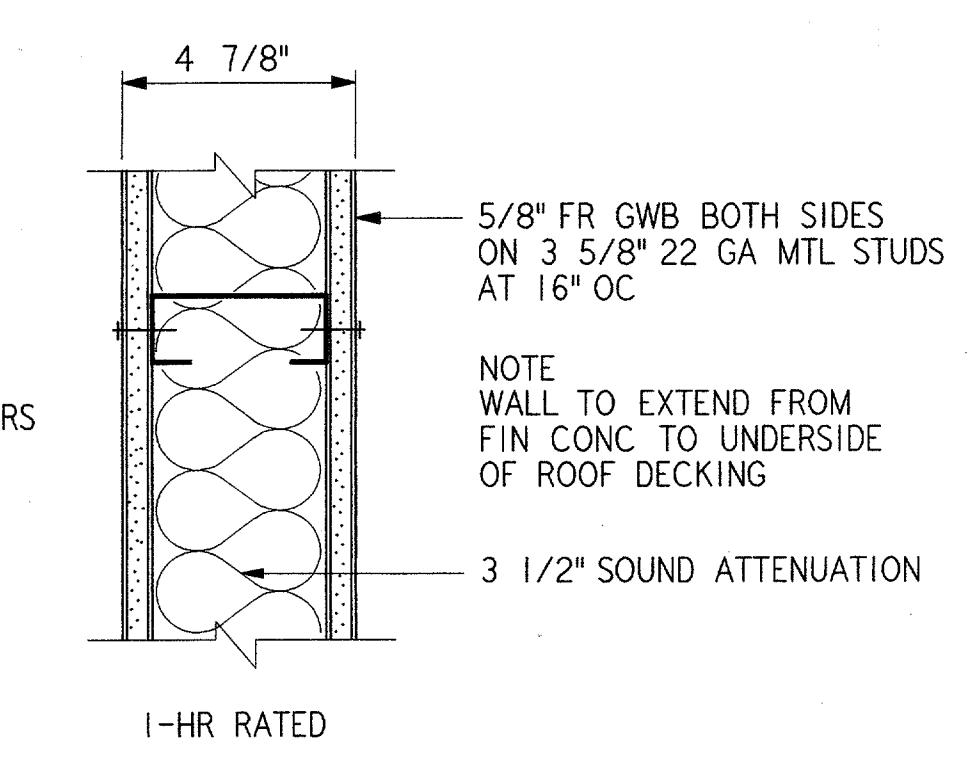
PARTITION TYPE-J



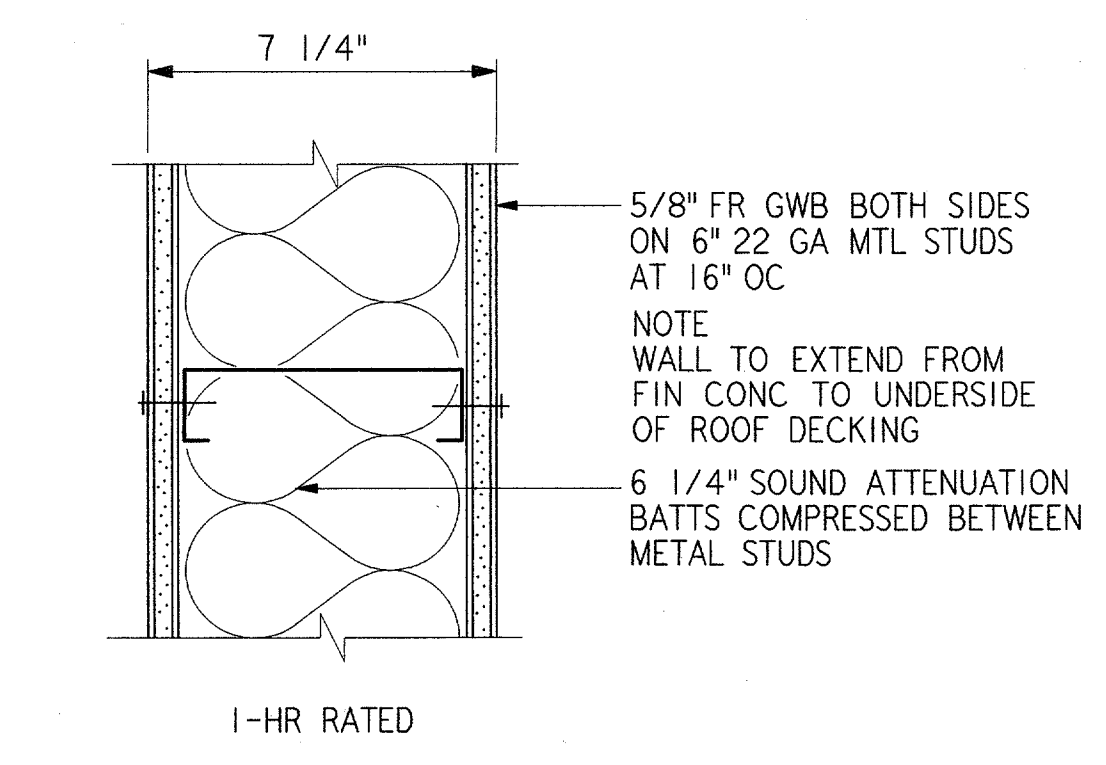
PARTITION TYPE-K



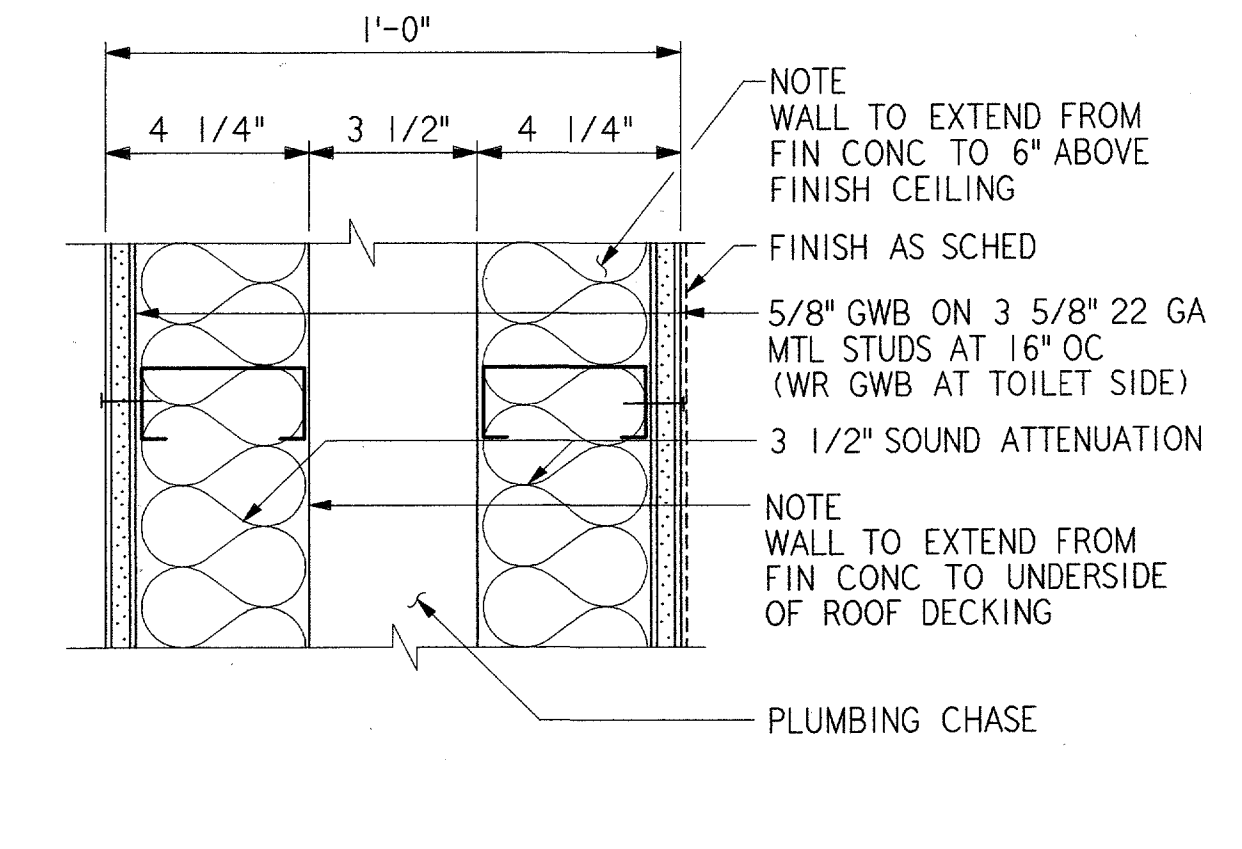
PARTITION TYPE-L



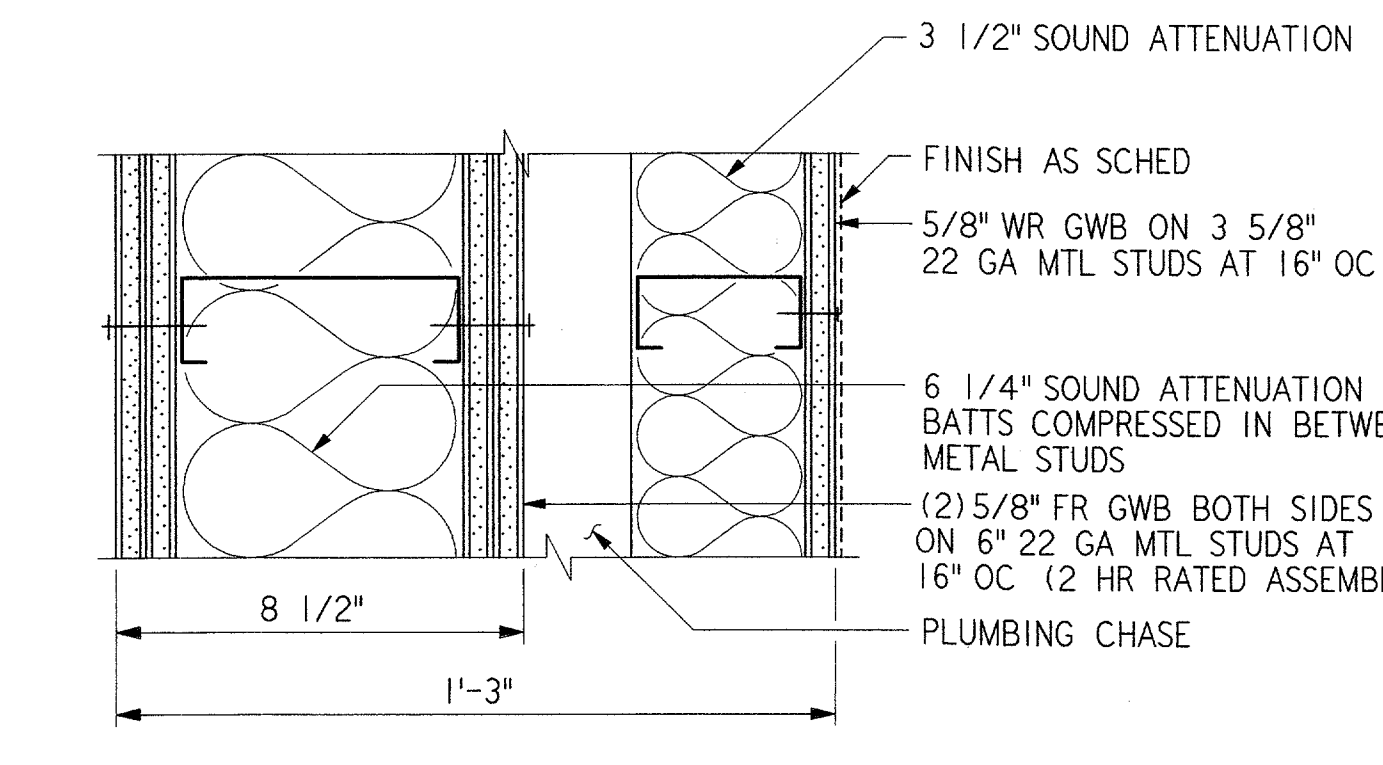
PARTITION TYPE-M



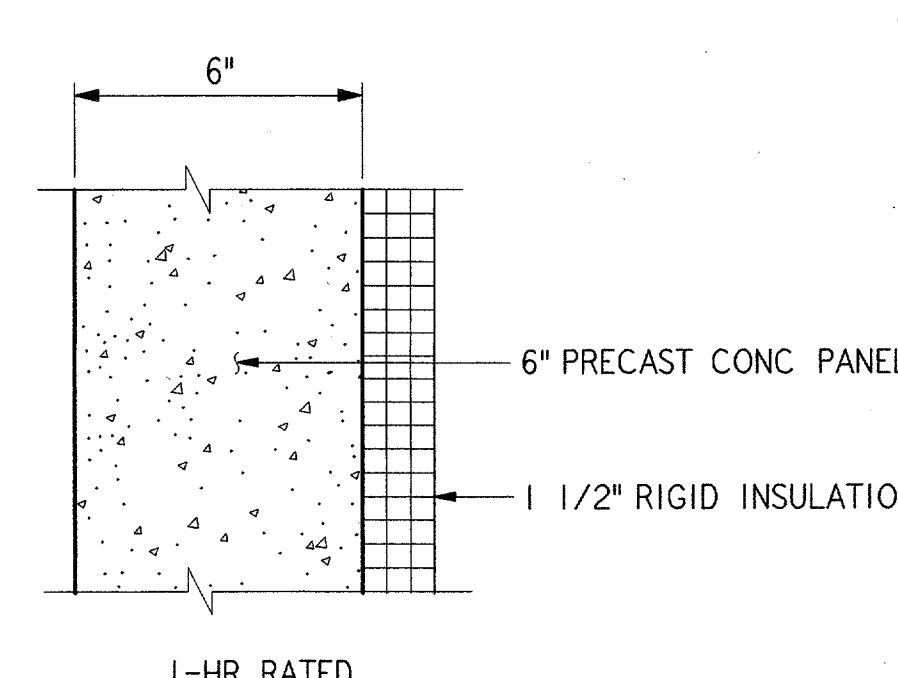
PARTITION TYPE-N



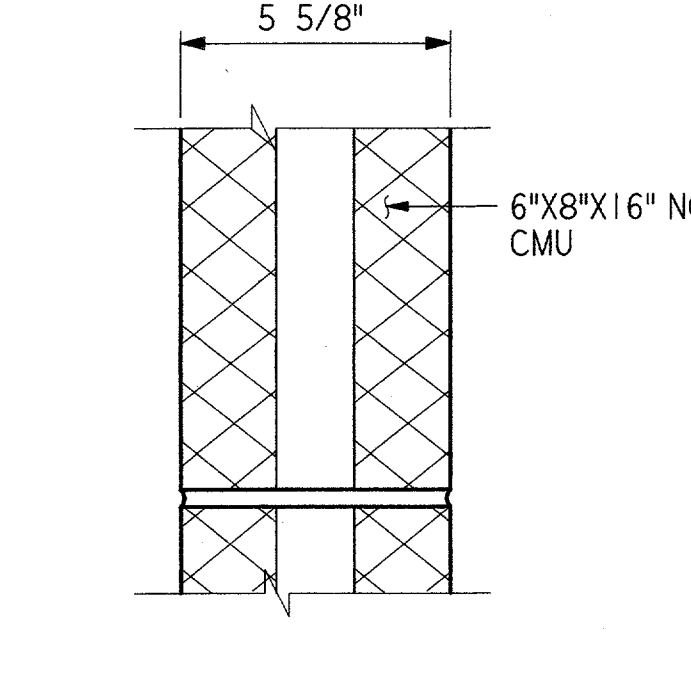
PARTITION TYPE-P



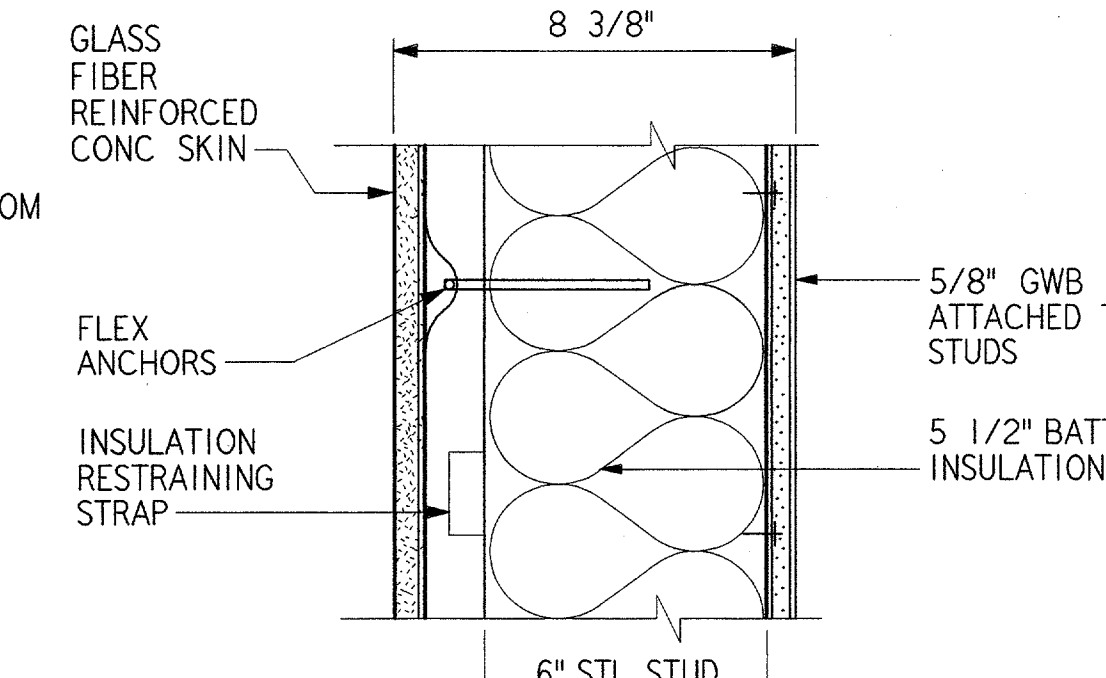
PARTITION TYPE-PI



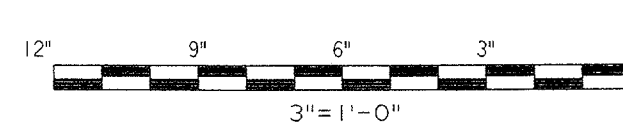
PARTITION TYPE-Q



PARTITION TYPE-R



PARTITION TYPE-S



REV. DATE DESCRIPTION DTG. CHECKED

REGISTERED ARCHITECT
JAMES E. HANCOCK
STATE OF TEXAS
16725

James E. Hancock
6/22/01

PARSONS
DALLAS, TX

A24

DEPARTMENT OF TRANSPORTATION
FEDERAL AVIATION ADMINISTRATION
SOUTHWEST REGION FORT WORTH, TEXAS

LOW ACTIVITY LEVEL
AIRPORT TRAFFIC CONTROL TOWER

PARTITION TYPES
ATCT/BASE-EG BUILDING
(ADDISON AIRPORT) TEXAS

ADDISON
SUBMITTED: *James E. Hancock*
APPROVED: *Chris Callie*

DESIGNED: GARY WILLIAMS
REVIEWED: A. AMBARDEKAR
ORIG. DFT.: S. R., E. D.
FACILITY:

ISSUED BY
AIRWAY FACILITIES DIVISION

DATE: 06-22-01
DRAWING NUMBER:
ADS-ATCT- A24

MANAGER TERMINAL PLATFORM, ANI-640

REF. DWG. :

FILE NAME: ADS IA024.DTT