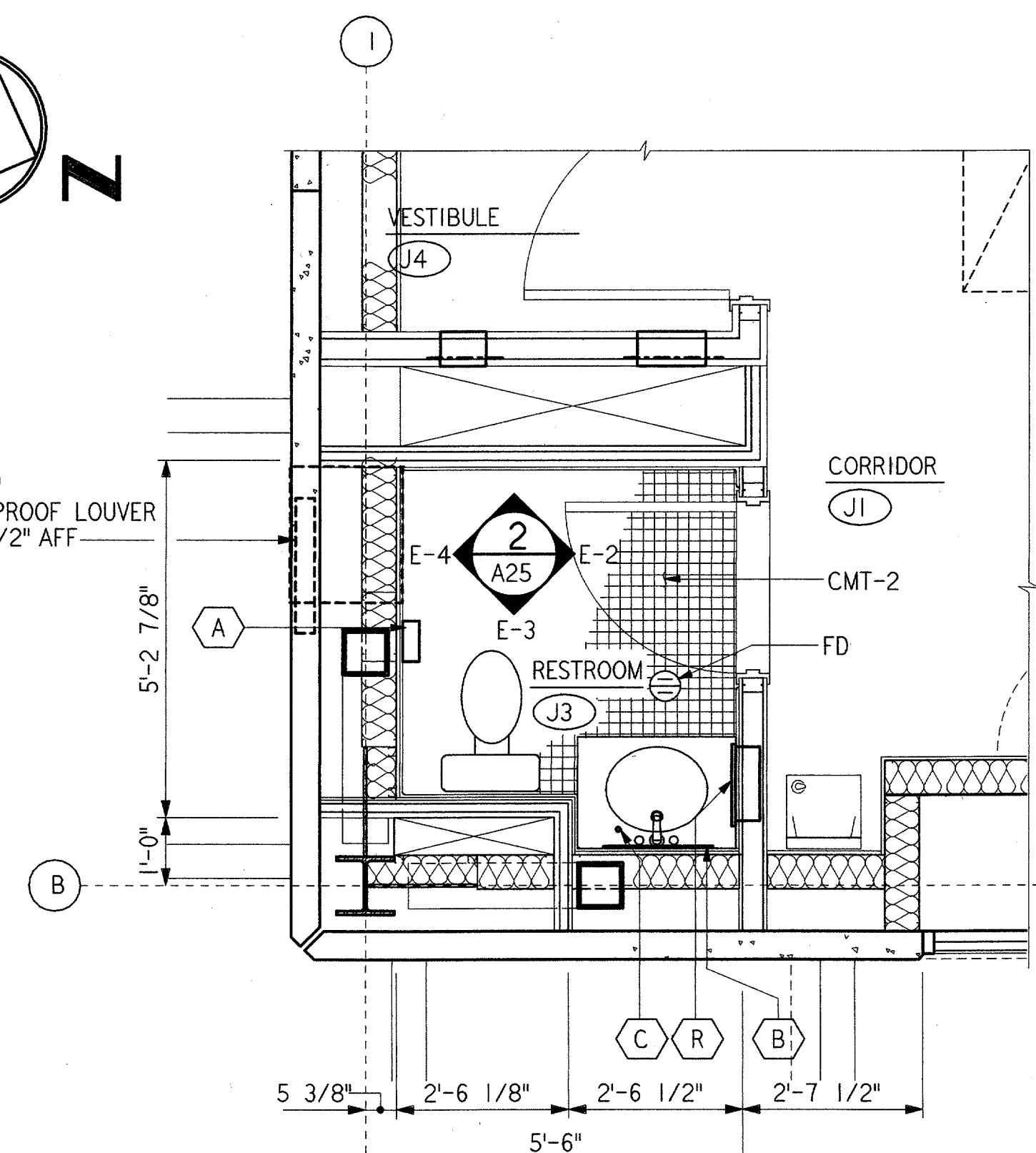
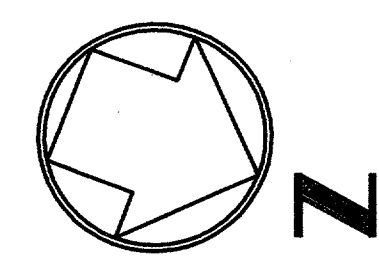
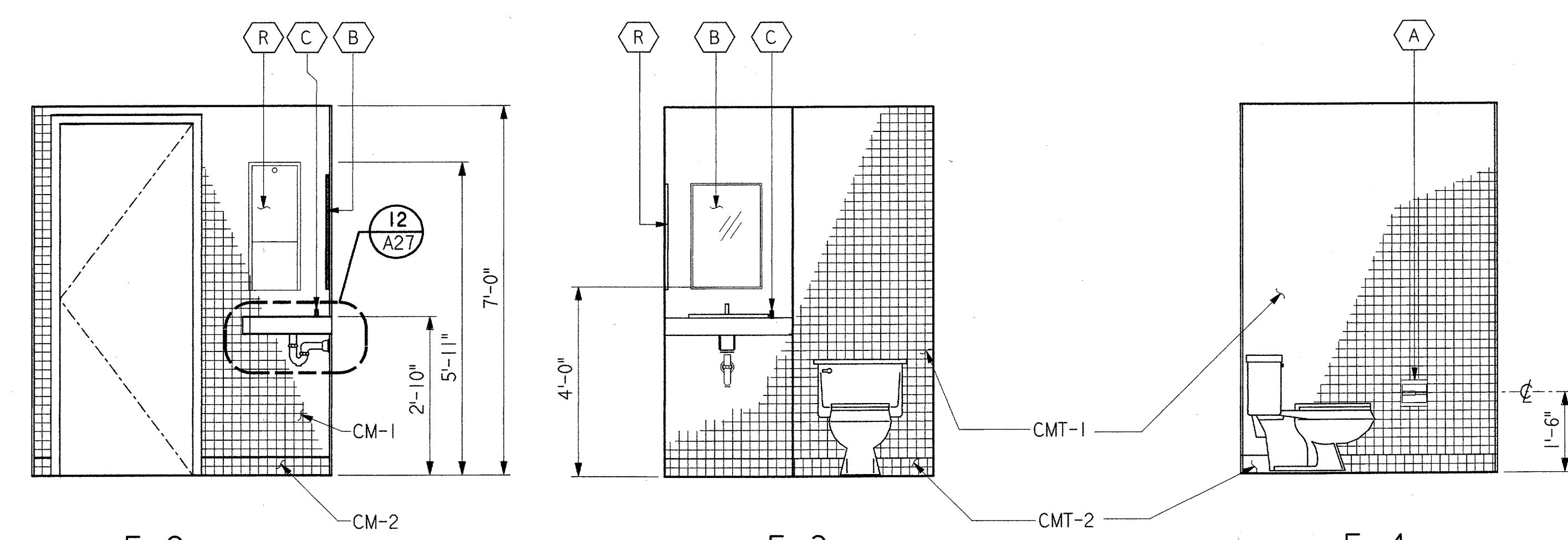


TOILET ACCESSORY LIST

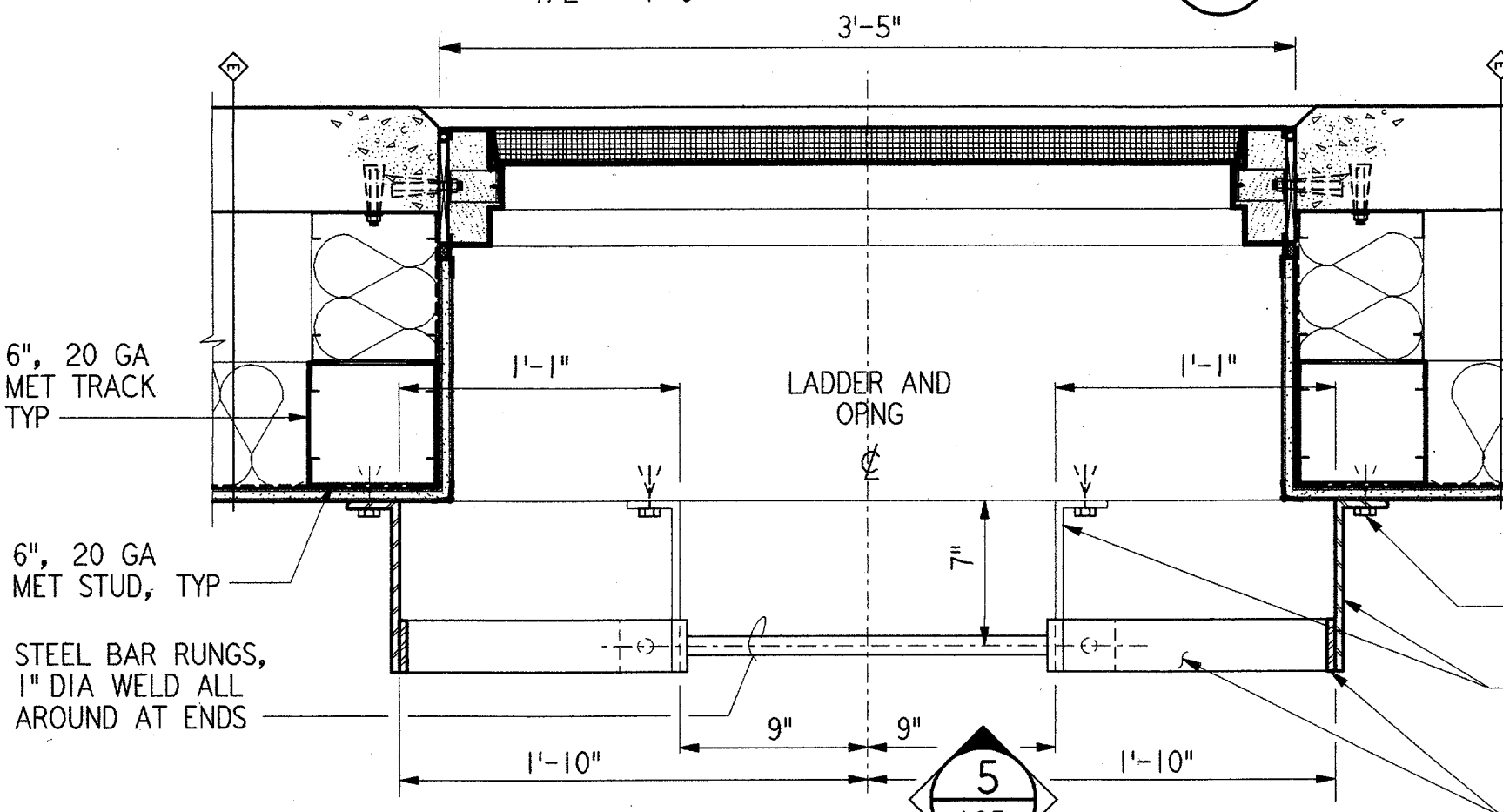
- (A) ROLL TISSUE HOLDER / SURFACE MOUNTED.
- (B) FRAMED MIRROR WITH SHELF.
- (C) SOAP DISPENSER / LAVATORY MOUNTED.
- (R) TOWEL DISPENSER / WASTE RECEPTACLE - RECESSED MOUNTED.



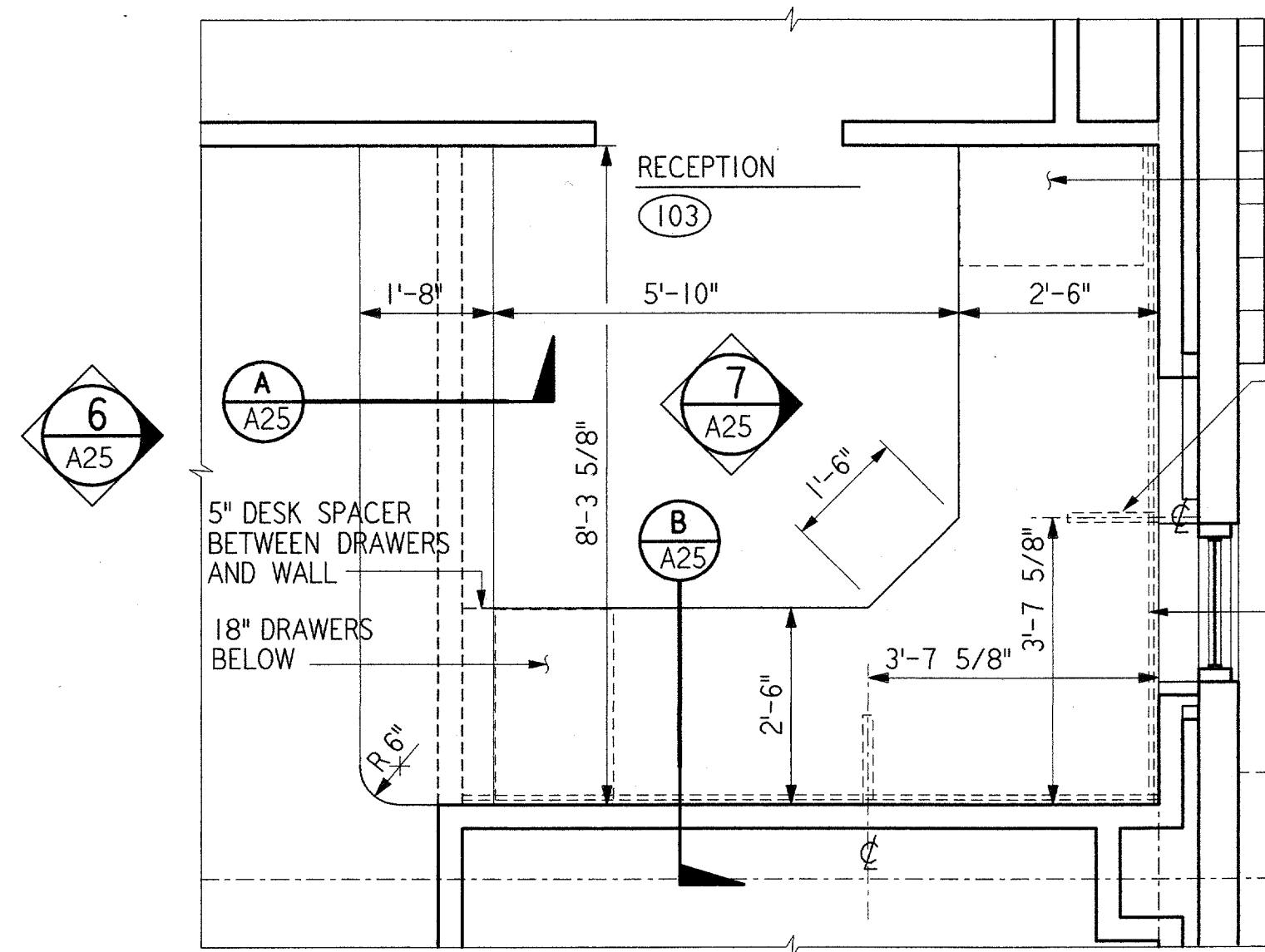
ENLARGED PLAN AT J3  
1/2" = 1'-0" REF A02



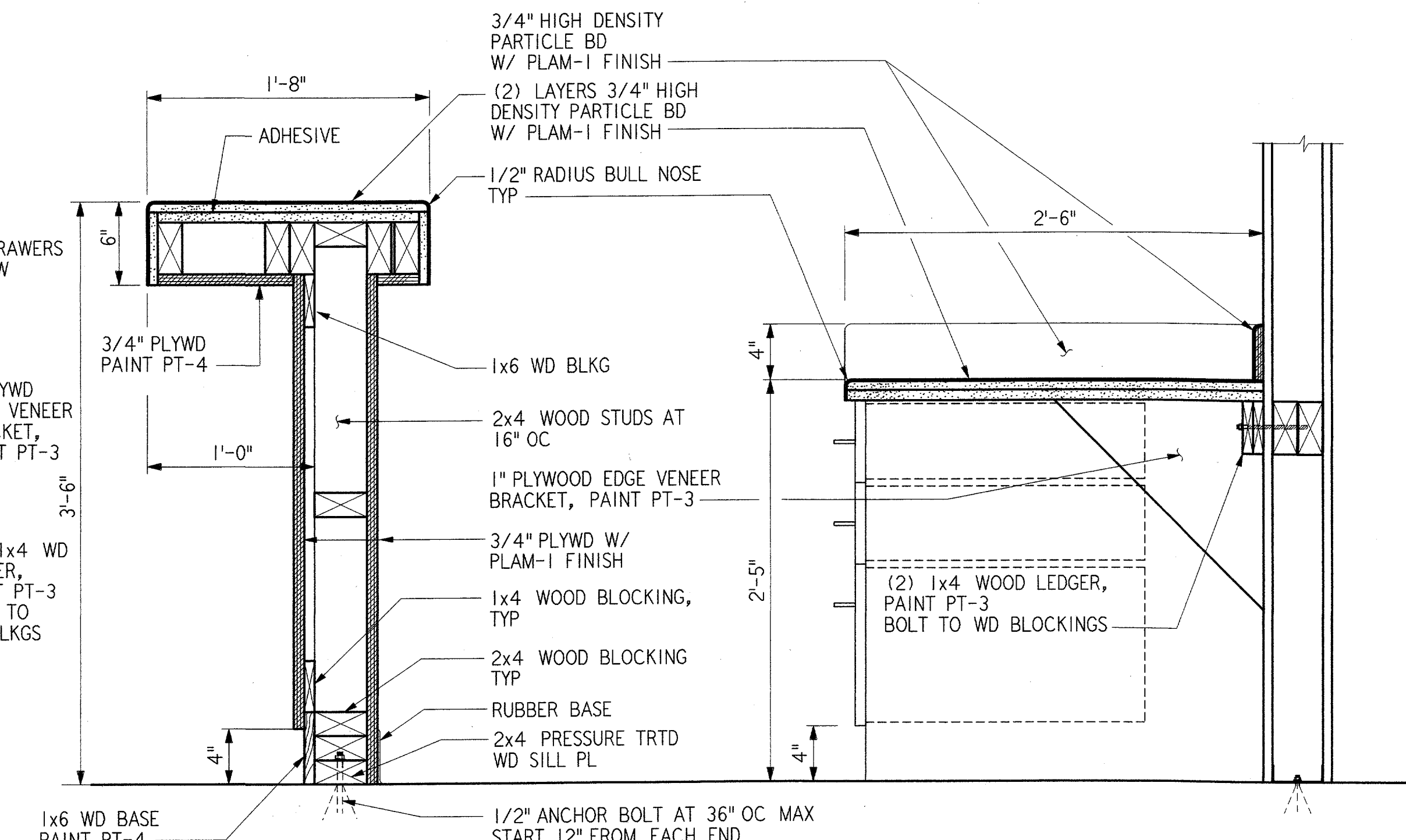
ELEVATIONS 2  
1/2" = 1'-0" REF A25



LADDER PLAN DETAIL 3  
1/2" = 1'-0" REF A02 A20

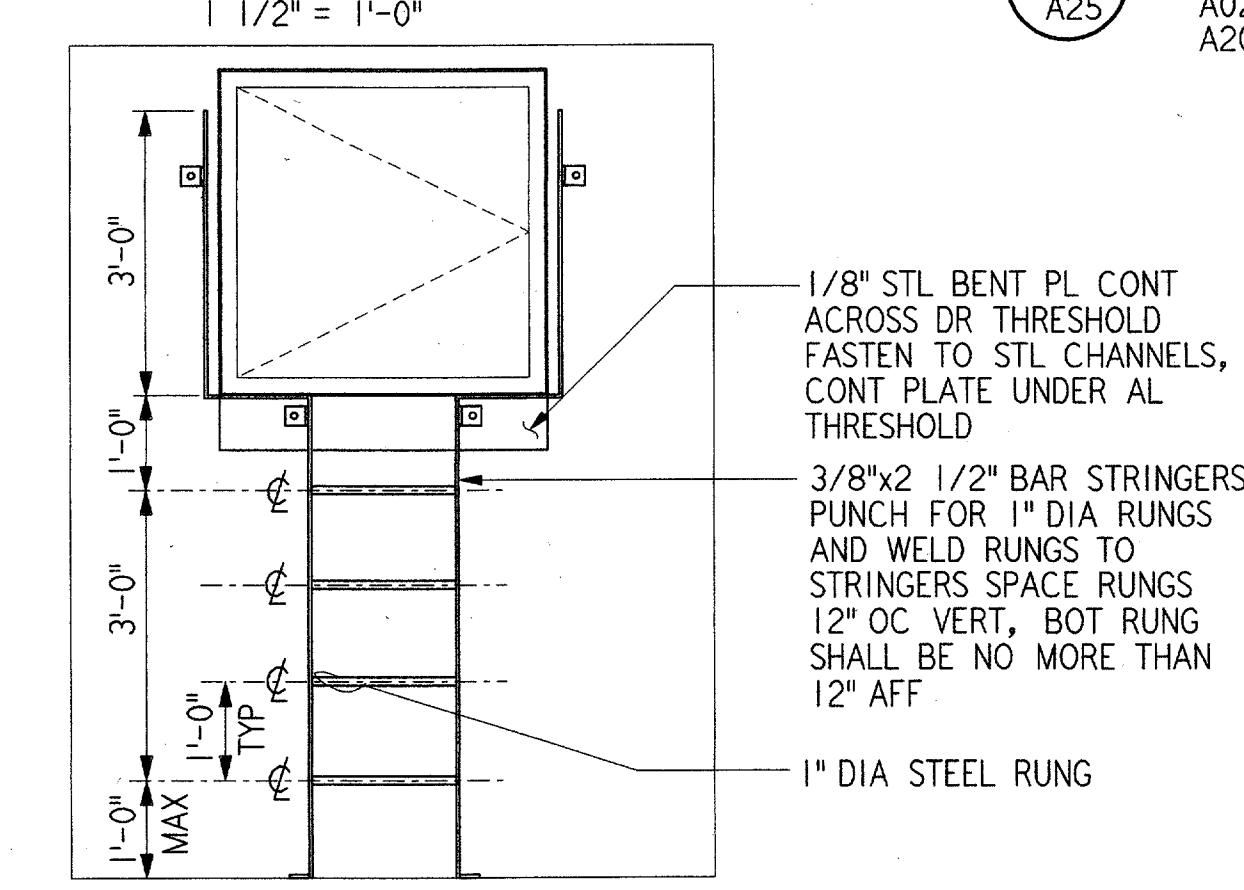


ENLARGED PLAN AT 103 4  
1/2" = 1'-0" REF A04

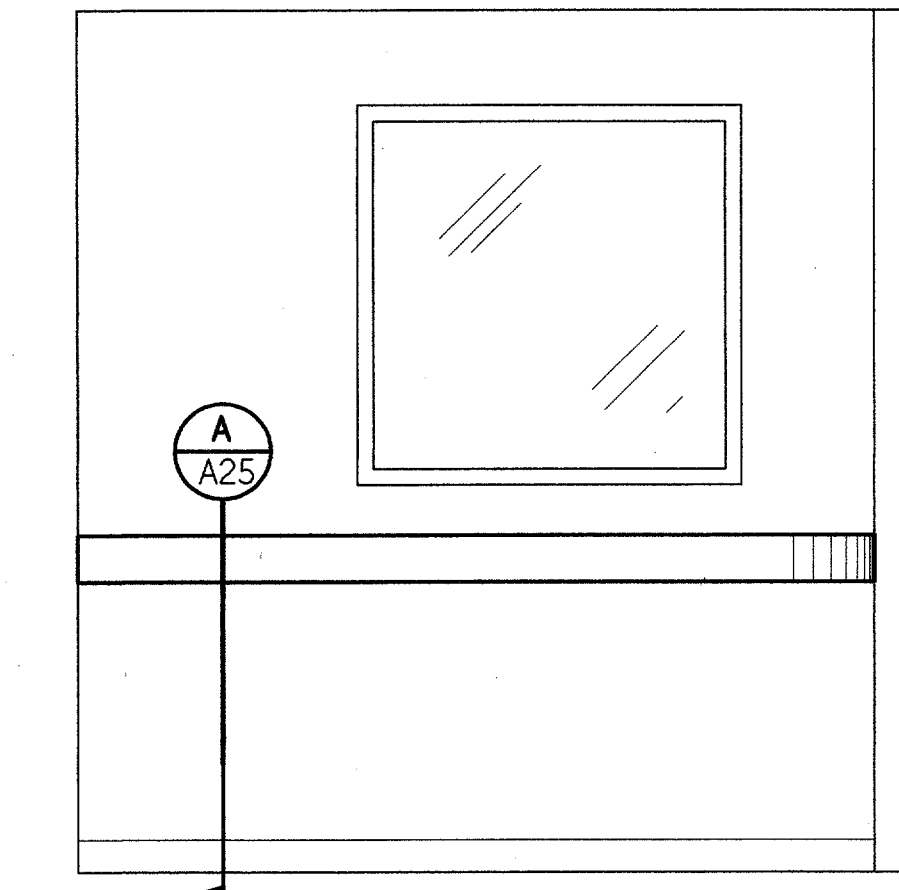


SECTION A  
1/2" = 1'-0" REF A25

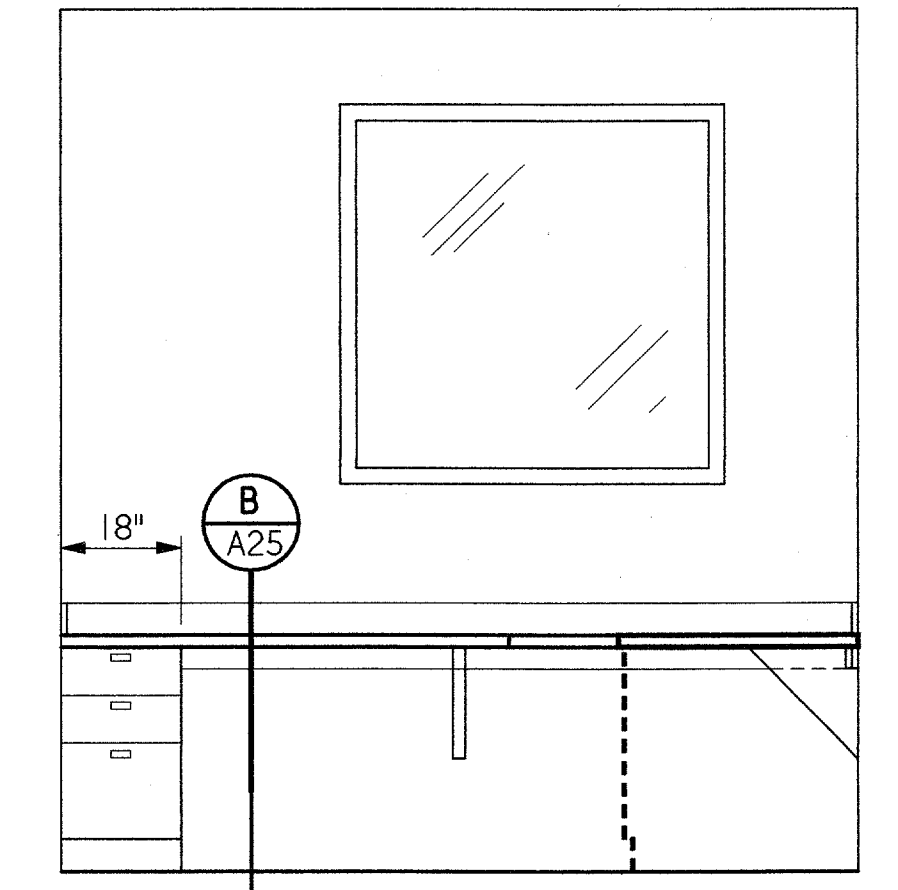
SECTION B  
1/2" = 1'-0" REF A25



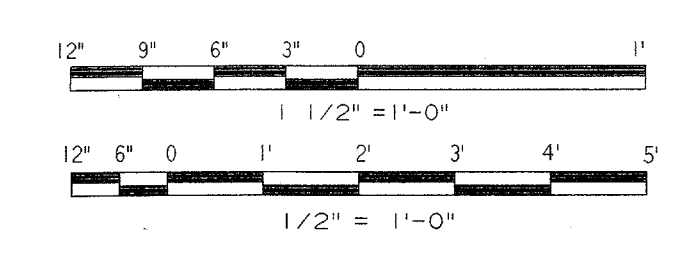
LADDER ELEVATION 5  
1/2" = 1'-0" REF A28



ELEVATIONS 6  
1/2" = 1'-0" REF A25



ELEVATIONS 7  
1/2" = 1'-0" REF A25



REGISTERED ARCHITECT  
STATE OF TEXAS  
James C. Ayler  
6/22/01

PARSONS  
DALLAS, TX

REV.	DATE	DESCRIPTION	DTG.	CHECKED

DEPARTMENT OF TRANSPORTATION  
FEDERAL AVIATION ADMINISTRATION  
SOUTHWEST REGION FORT WORTH, TEXAS

LOW ACTIVITY LEVEL  
AIRPORT TRAFFIC CONTROL TOWER  
ENLARGED PARTIAL PLANS AND  
INTERIOR ELEVATIONS  
ATCT

ADDISON (ADDISON AIRPORT) TEXAS

DESIGNED: GARY WILLIAMS  
REVIEWED: A. AMBARDEKAR  
ORIG. DFT.: S. RAJPREKAR  
FACILITY:

ISSUED BY: AIRWAY FACILITIES DIVISION  
DATE: 06-22-01  
DRAWING NUMBER: ADS-ATCT- A25

FILENAME: ADS/A025-1.ET