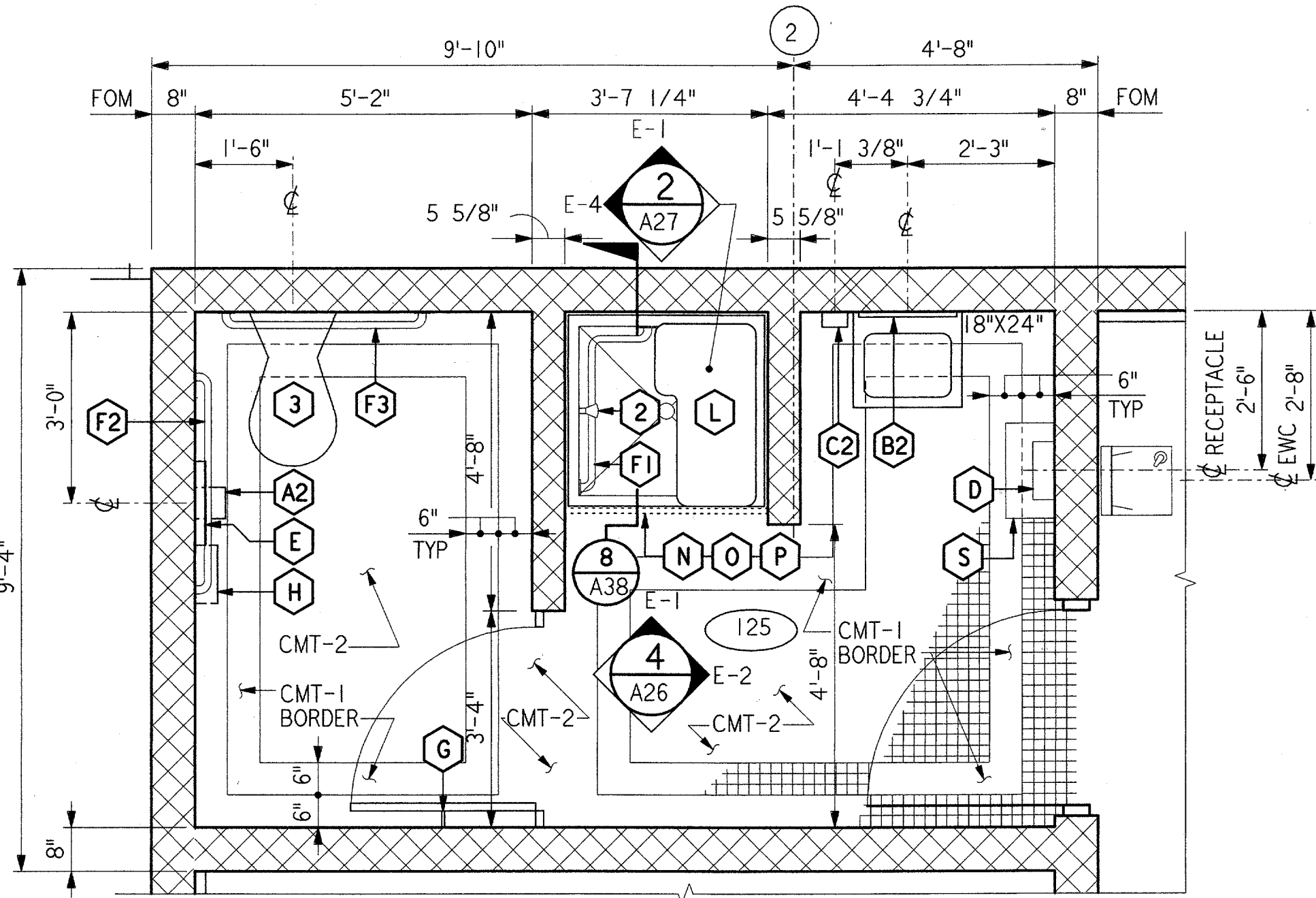


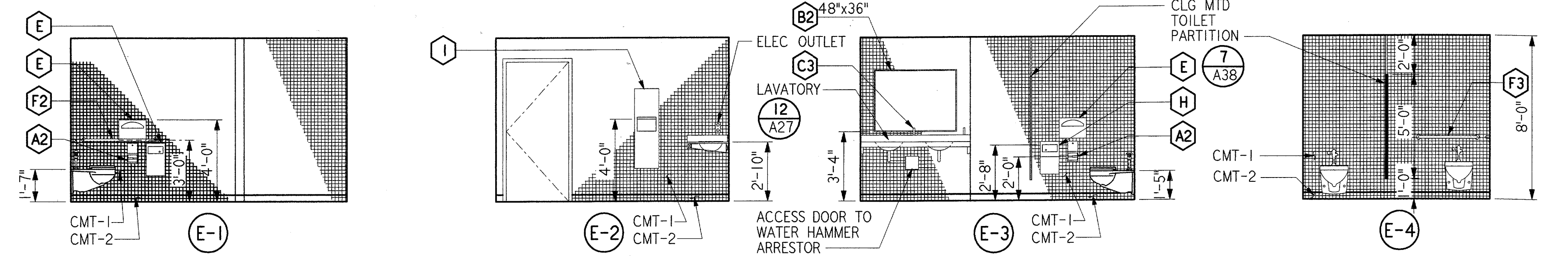
ENLARGED PARTIAL PLAN/BASE BUILDING
1/2" = 1'-0"

REF A04
A26

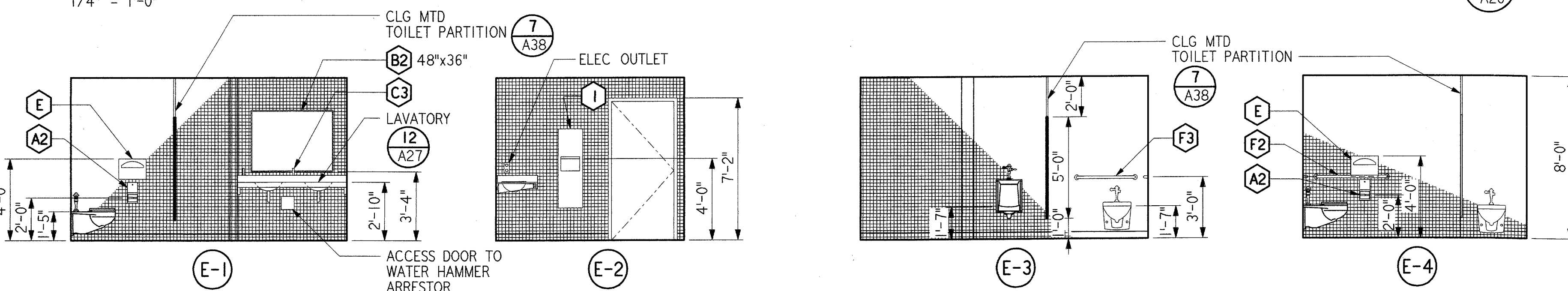


ENLARGED PARTIAL PLAN
1/2" = 1'-0"

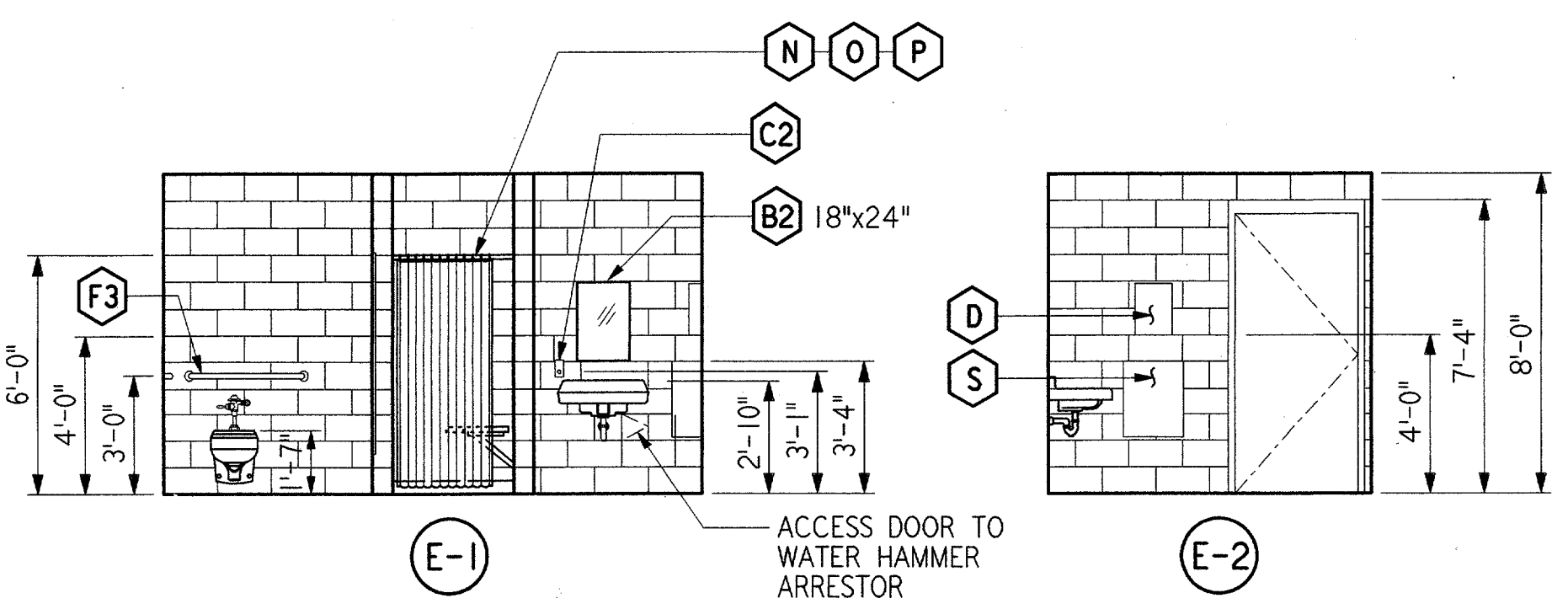
REF A04
A26



ELEVATION
1/4" = 1'-0"



ELEVATION
1/4" = 1'-0"



ELEVATION
1/4" = 1'-0"

TOILET/SHOWER ROOM 125
A26

PLUMBING FIXTURES AND TOILET ACCESSORIES LEGEND

- A2 SURFACE-MOUNTED DOUBLE ROLL TOILET TISSUE DISPENSER.
- B2 STAINLESS STEEL FRAMED MIRROR 48"X36" AND 18"X24".
- C2 SURFACE-MOUNTED SOAP DISPENSER. (LIQUID)
- C3 LAVATORY MOUNTED SOAP DISPENSER WITH UNDER-THE-COUNTER SOAP RESERVOIR
- D SURFACE-MOUNTED PAPER TOWEL DISPENSER
- E SURFACE-MOUNTED TOILET-SEAT-COVER DISPENSER.
- F1 HORIZONTAL TWO-WALL SHOWER COMPARTMENT GRAB BAR. 24"X36"
- F2 42" LONG 1 1/2" DIA HORIZONTAL GRAB BAR
- F3 36" LONG 1 1/2" DIA HORIZONTAL GRAB BAR
- G SINGLE ROBE/CLOTHES HOOK W/ CONCEALED MOUNTING.
- H SURFACE-MOUNTED SANITARY NAPKIN DISPOSAL.
- I SEMI-RECESSED COMBINATION PAPER TOWEL DISPENSER AND WASTE RECEPTACLE
- L FOLDING SHOWER SEAT.
- N SHOWER CURTAIN ROD W/ CONCEALED MOUNTING.
- O SHOWER CURTAIN HOOK
- P VINYL SHOWER CURTAIN
- S SURFACE MOUNTED WASTE RECEPTACLE
- 2 HAND-HELD SHOWER HEAD ON 60" HOSE.
- 3 WATER CLOSET (HANDICAP ACCESSIBLE).
- 4 URINAL (HANDICAP ACCESSIBLE).

REV. DATE DESCRIPTION DFTG. CHECKED

DESIGNED: GARY WILLIAMS
REVIEWED: A. AMBARDEKAR
ORIG. DFT. E. DANE
FACILITY:

ISSUED BY
AIRWAY FACILITIES
DIVISION

DATES: 06-22-01
DRAWING NUMBER:
ADS-ATCT- A26

DALLAS, TX

DEPARTMENT OF TRANSPORTATION
FEDERAL AVIATION ADMINISTRATION
SOUTHWEST REGION FORT WORTH, TEXAS

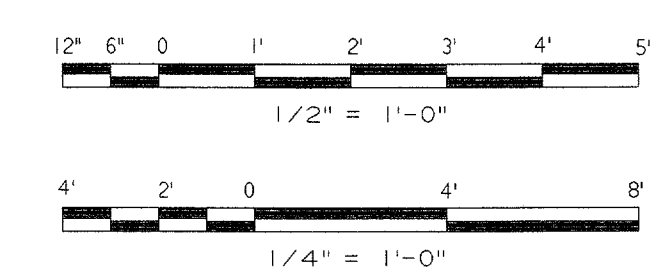
LOW ACTIVITY LEVEL
AIRPORT TRAFFIC CONTROL TOWER
ENLARGED PARTIAL PLANS
AND INTERIOR ELEVATIONS
BASE-EG BUILDING

ADDISON (ADDISON AIRPORT) TEXAS

DESIGNED: GARY WILLIAMS
REVIEWED: A. AMBARDEKAR
ORIG. DFT. E. DANE
FACILITY:

ISSUED BY
AIRWAY FACILITIES
DIVISION

DATES: 06-22-01
DRAWING NUMBER:
ADS-ATCT- A26



FILENAME: ADS/A026.IET