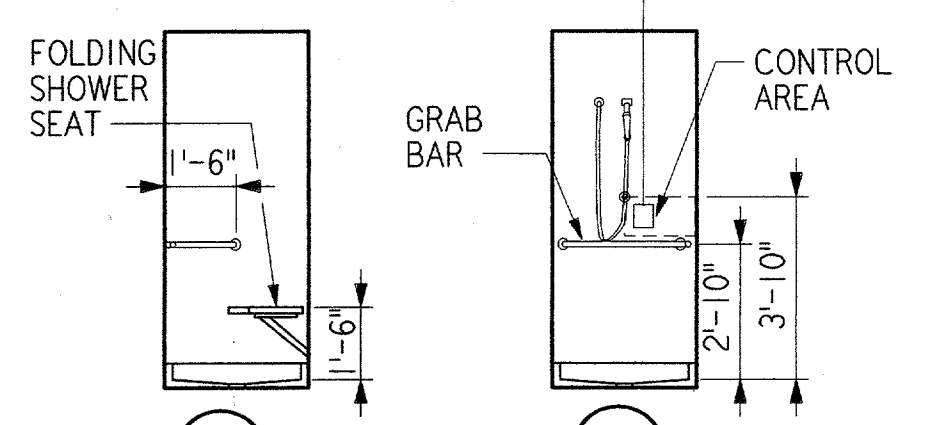
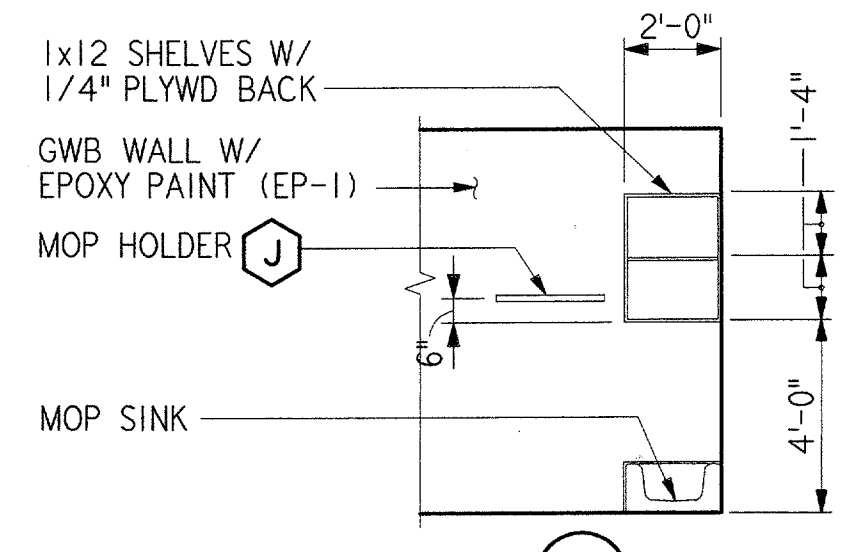


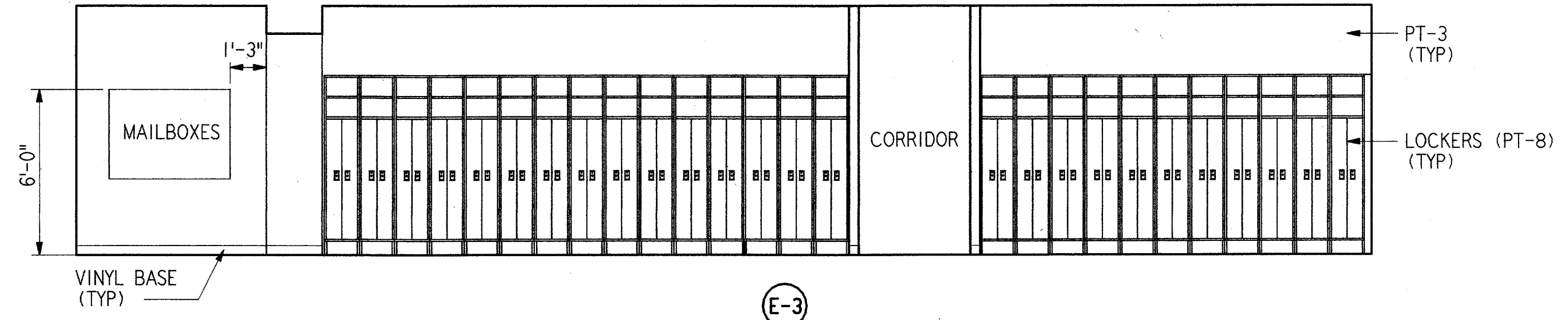
ELEVATION BREAK ROOM 108 REF A27 A37
1/4" = 1'-0"



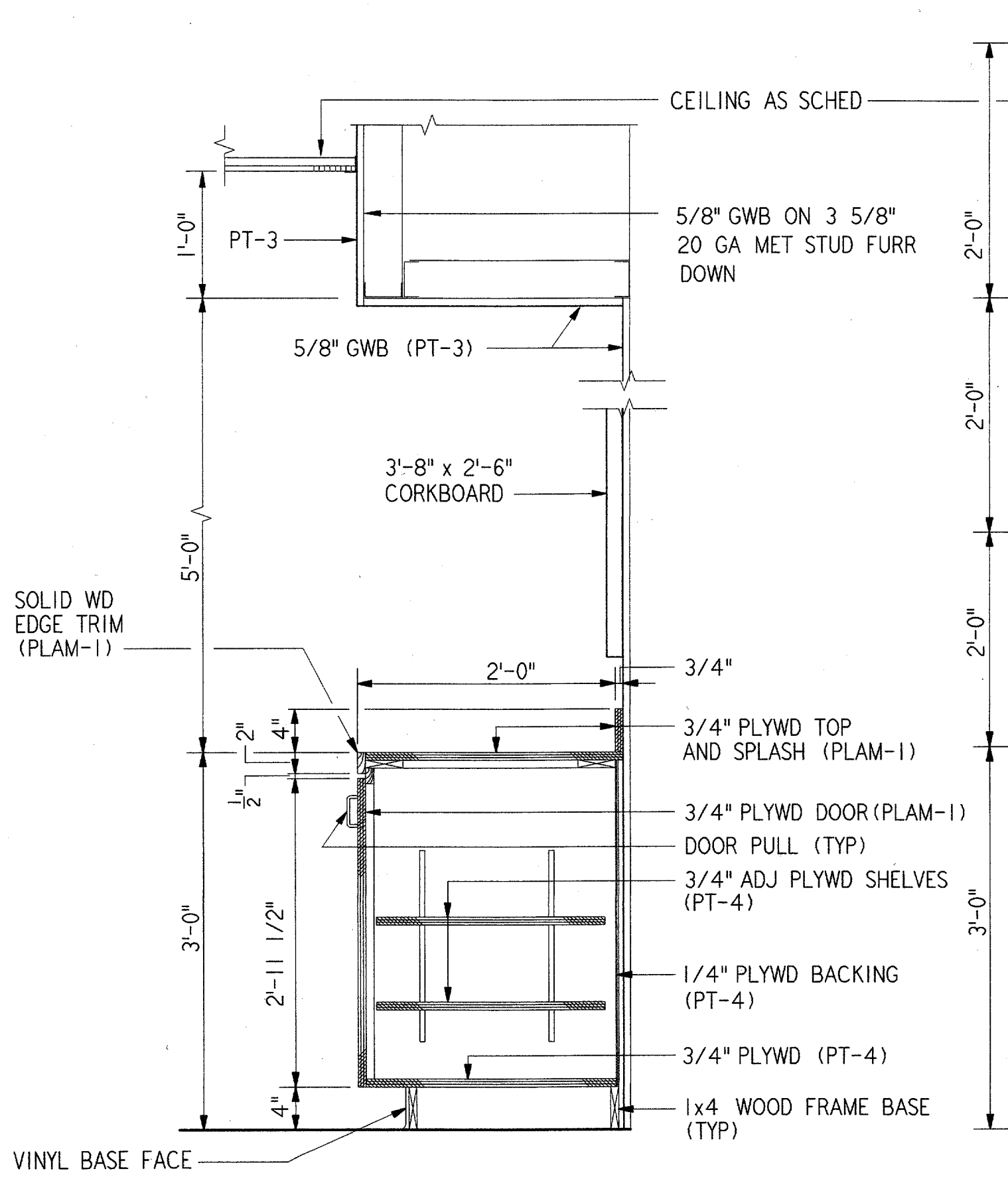
ELEVATION TOILET/SHOWER 125 REF A26 A27
1/4" = 1'-0"



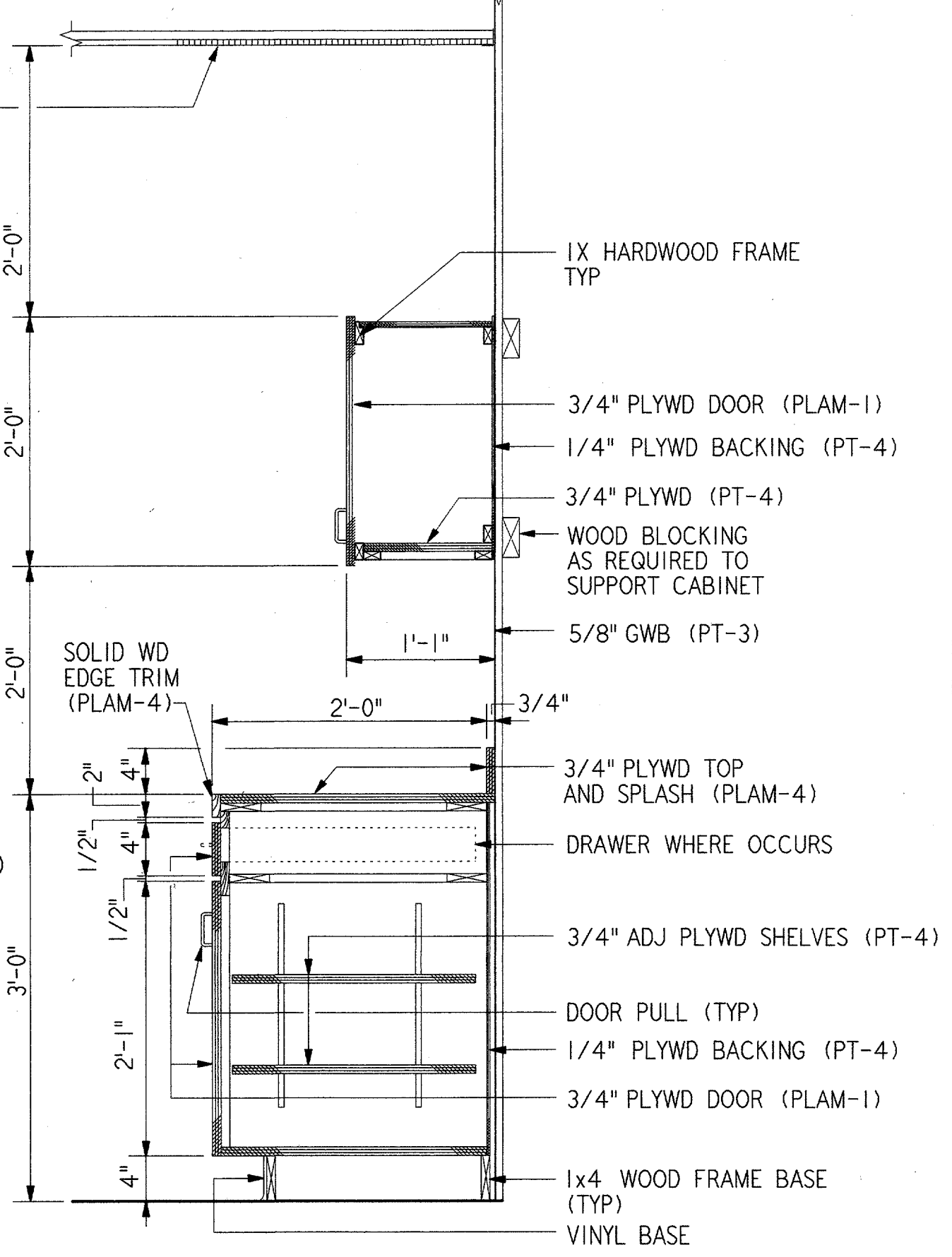
ELEVATION JANITOR CLOSET 109 REF A27 A37
1/4" = 1'-0"



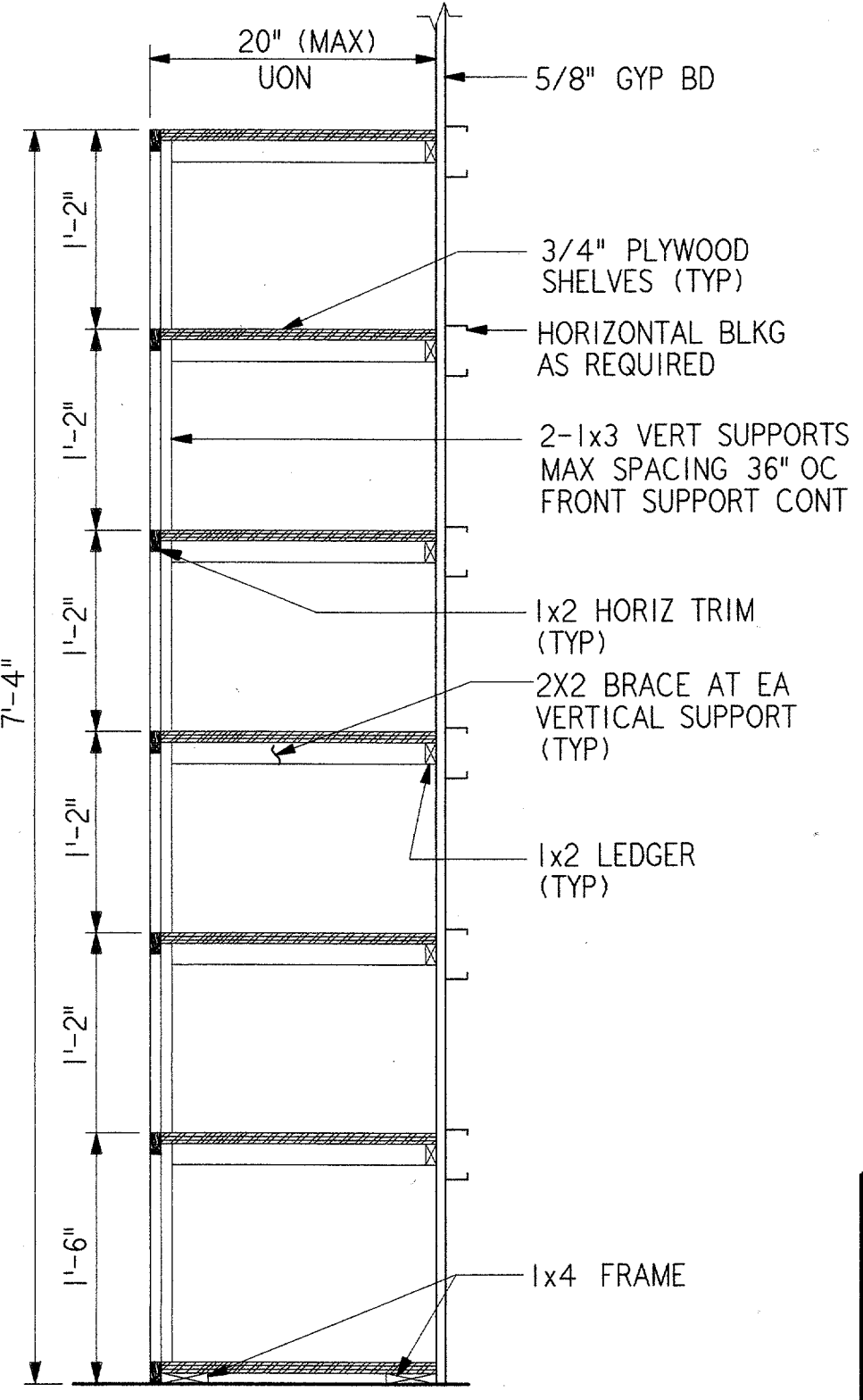
ELEVATION CORRIDOR 110 REF A27 A37
1/4" = 1'-0"



CABINET SECTION REF A12 A27
1" = 1'-0"

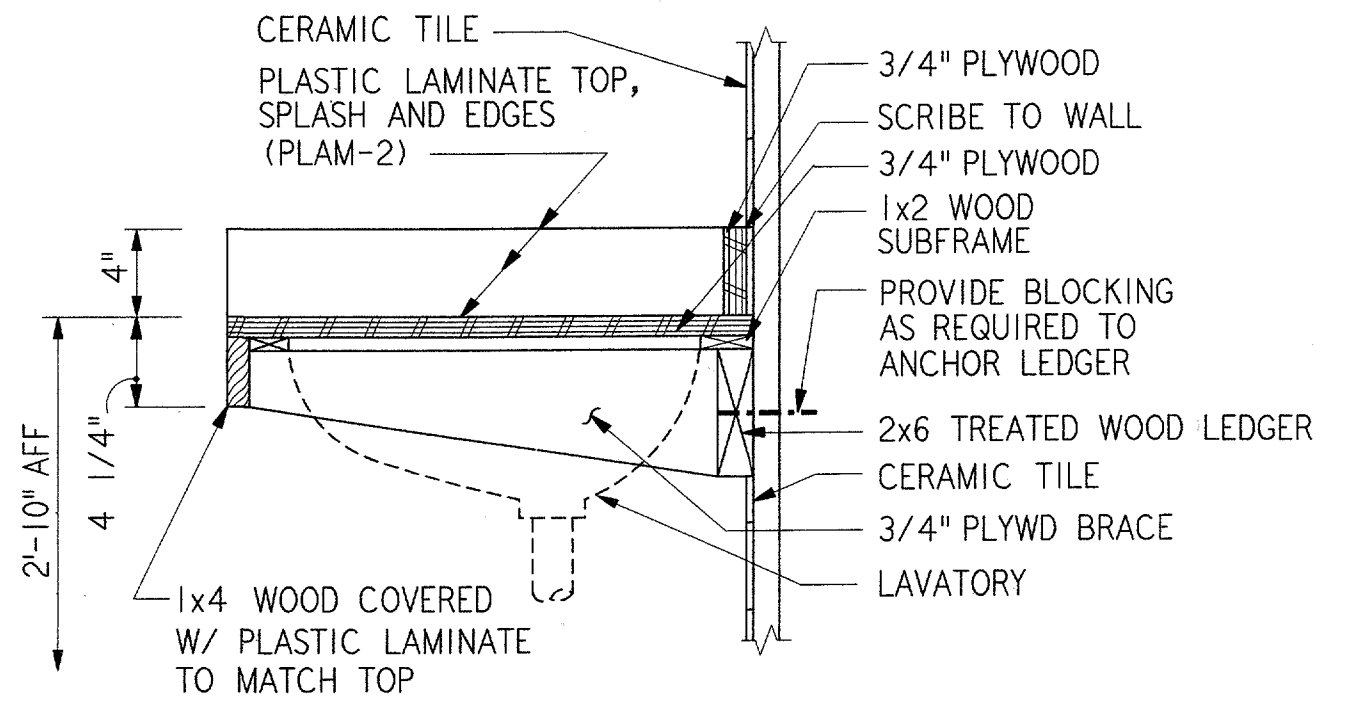


BREAK RM CABINET SECTION REF A27
1" = 1'-0"

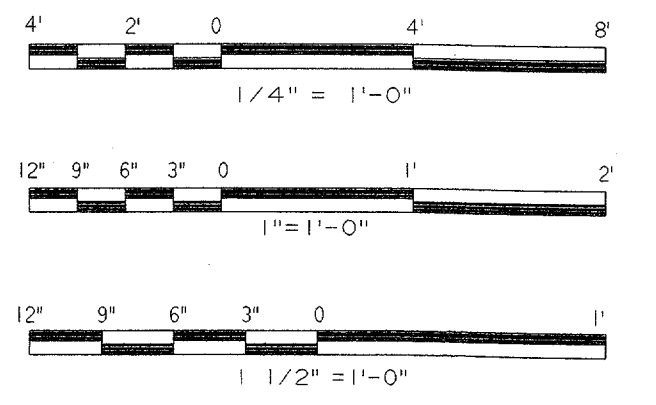


SHELF SECTION REF A37 A27
1" = 1'-0"

NOTE:
PAINT SHELF PT-6.



LAVATORY COUNTER REF A25 A26 A27
1 1/2" = 1'-0"



GENERAL NOTE:
ALL GYPSUM WALLBOARD SHALL BE TYPE "X" FIRE RATED.

REV.	DATE	DESCRIPTION	DFTG.	CHECKED

REGISTERED ARCHITECT
JAMES E. HARPER
19725
STATE OF TEXAS

PARSONS
DALLAS, TX

DEPARTMENT OF TRANSPORTATION
FEDERAL AVIATION ADMINISTRATION
SOUTHWEST REGION FORT WORTH, TEXAS

LOW ACTIVITY LEVEL
AIRPORT TRAFFIC CONTROL TOWER

INTERIOR ELEVATIONS AND DETAILS
BASE-EG BUILDING

ADDISON (ADDISON AIRPORT) TEXAS

DESIGNED: GARY WILLIAMS
REVIEWED: A. AMBARDEKAR
ORIG. DFT. E. DANE
FACILITY:

ISSUED BY
AIRWAY FACILITIES DIVISION

DATE: 06-22-01
DRAWING NUMBER:
ADS-ATCT- A27

A27