

8

7

6

5

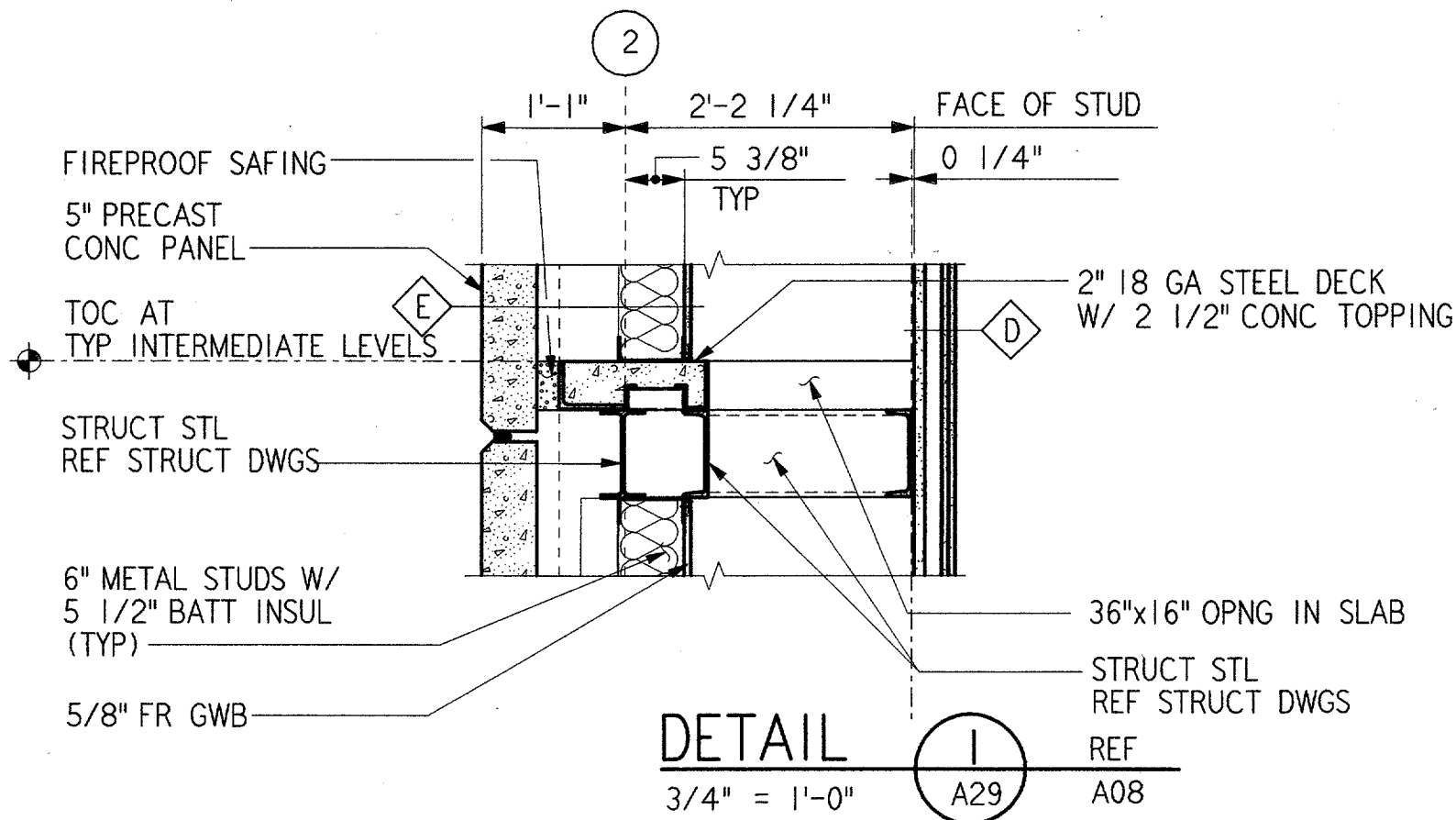
4

3

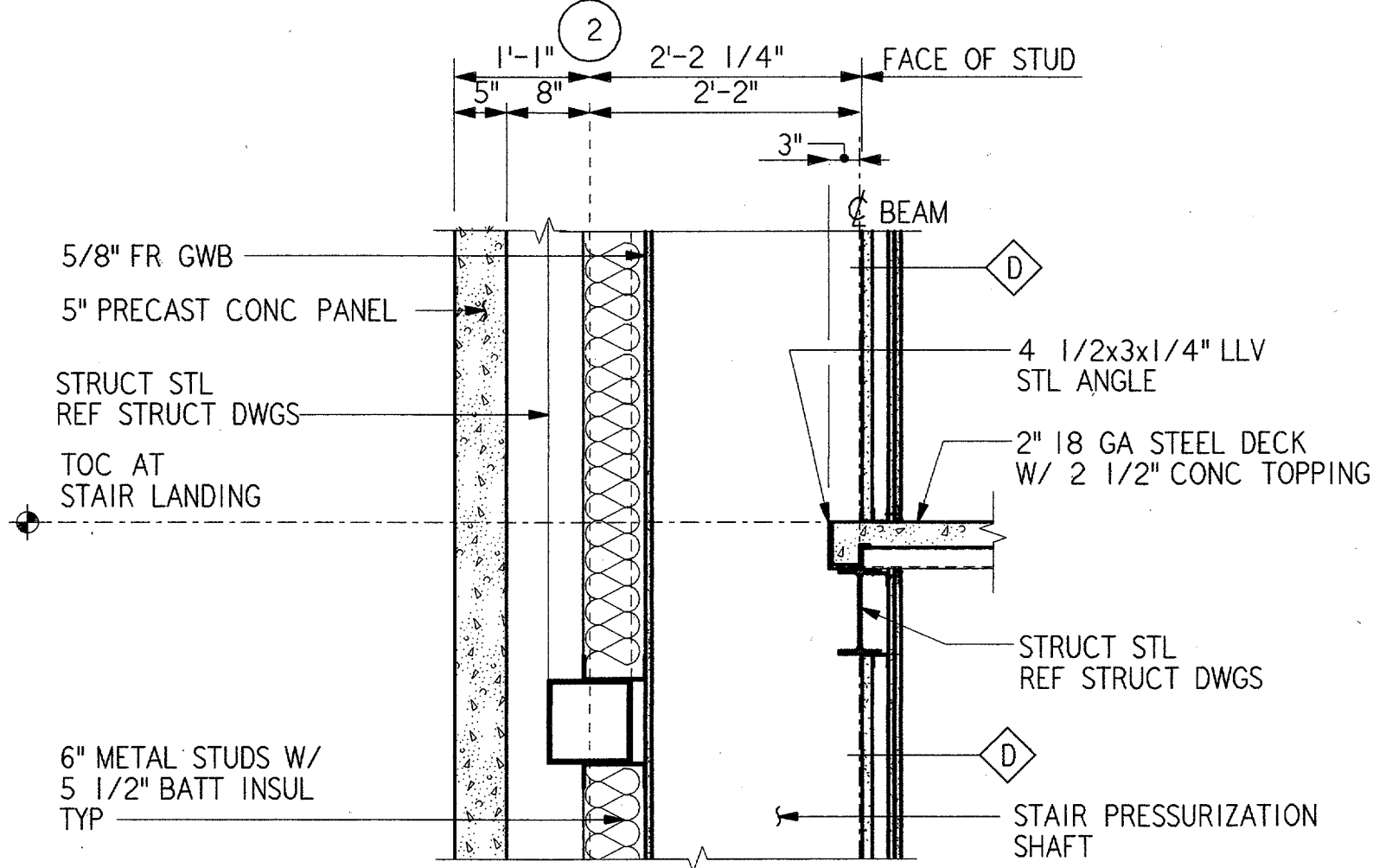
2

1

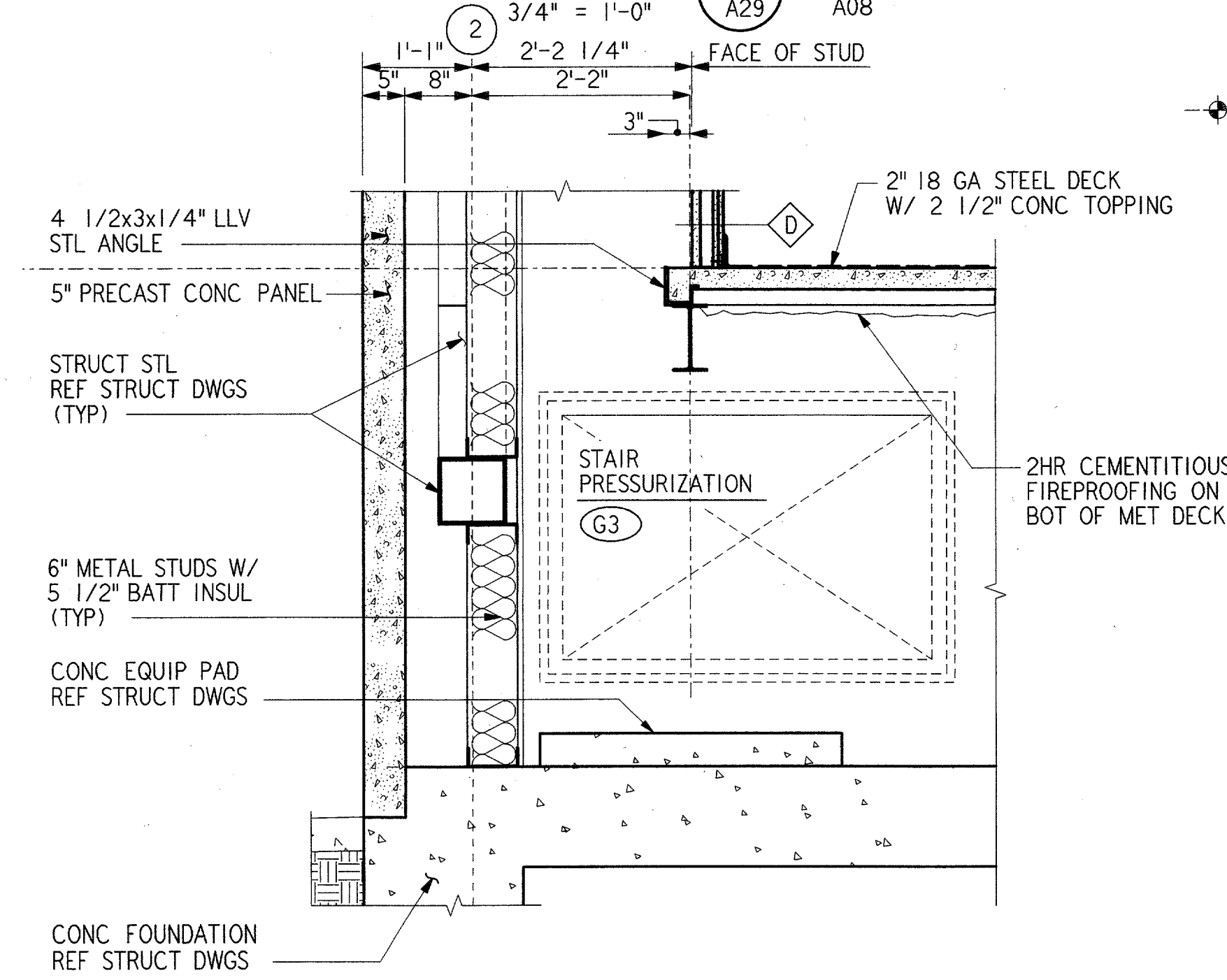
H
G
F
E
D
C
B
A



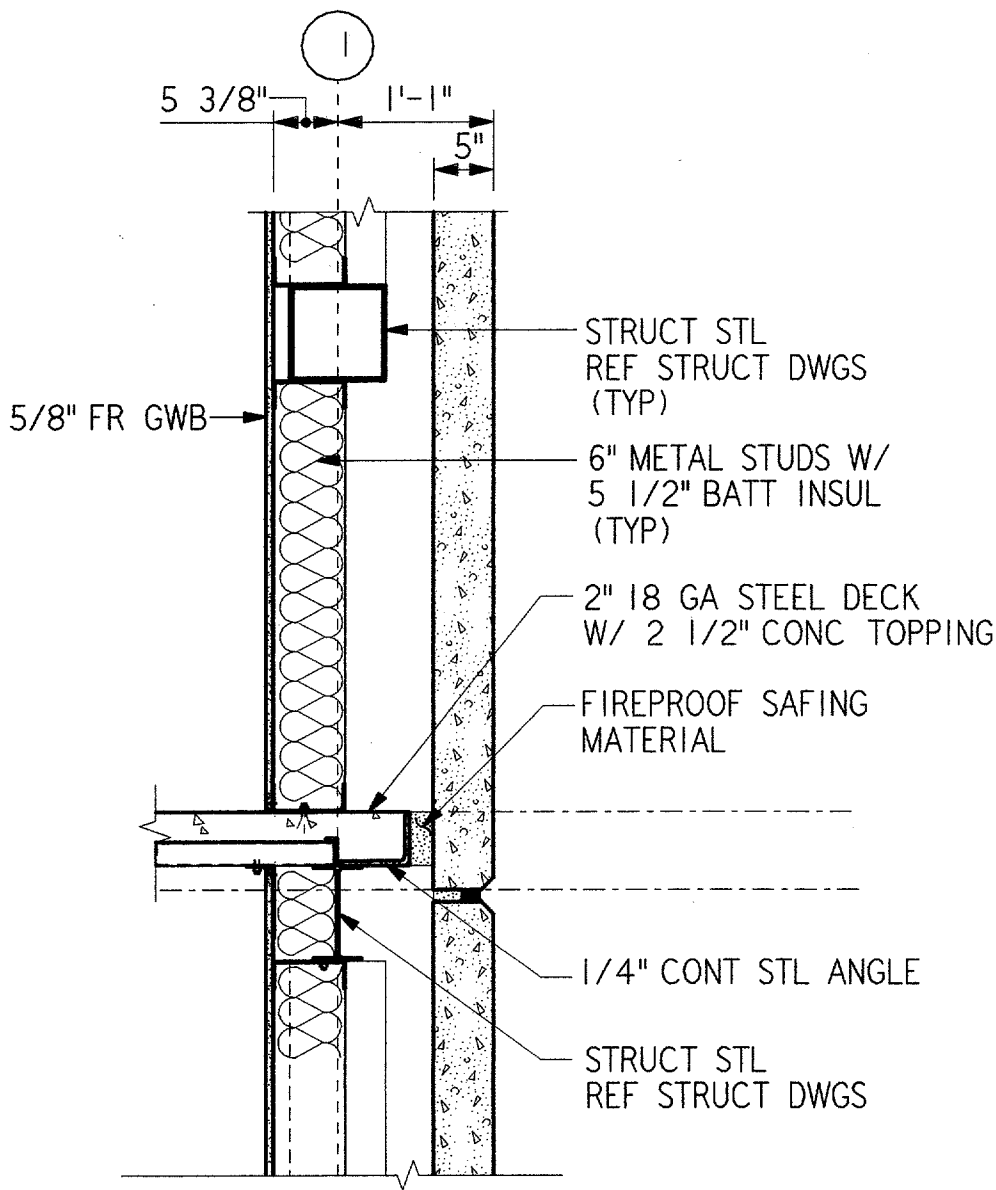
DETAIL 1
3/4" = 1'-0" REF A08



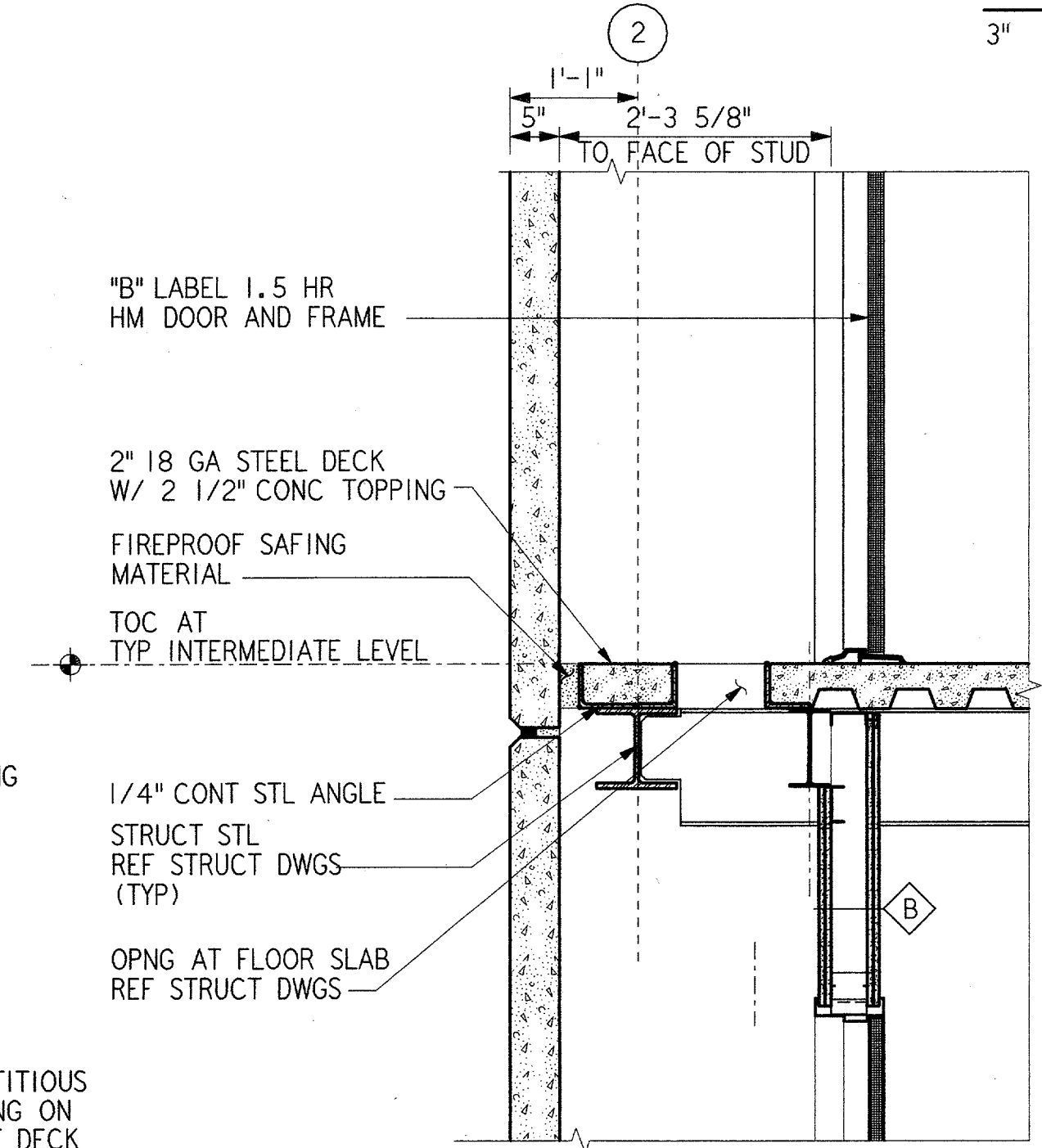
DETAIL 2
3/4" = 1'-0" REF A08



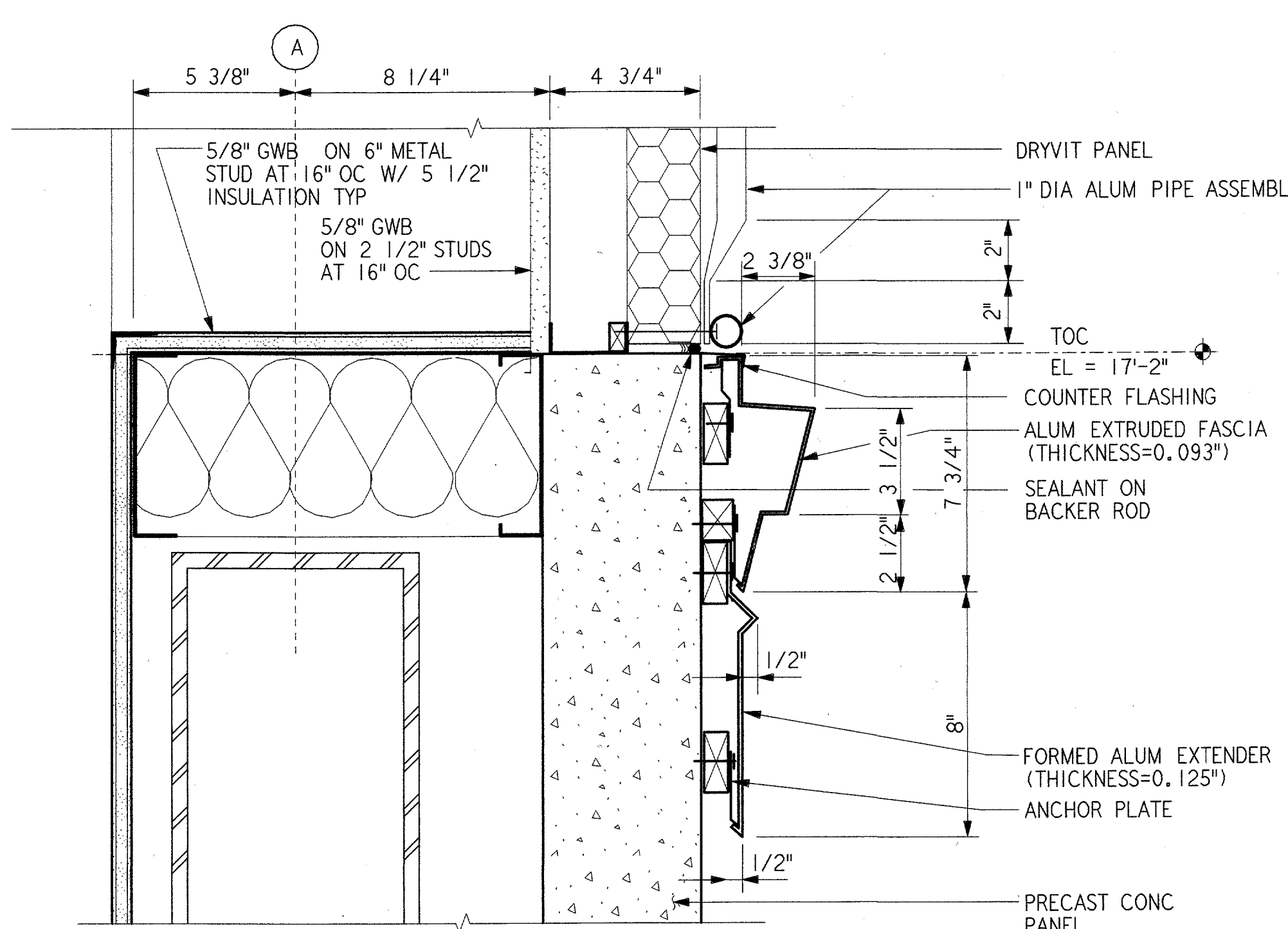
DETAIL 3
3/4" = 1'-0" REF A08



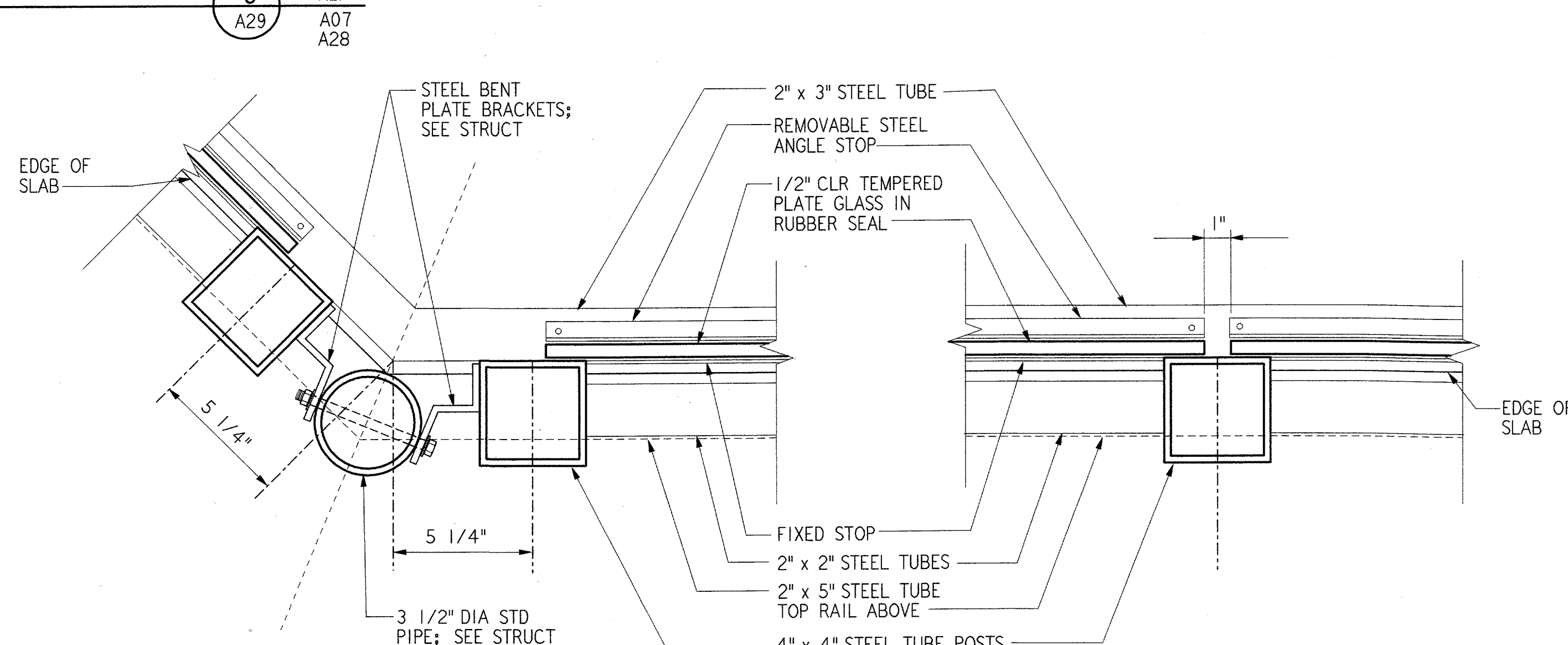
DETAIL 4
3/4" = 1'-0" REF A08



DETAIL 5
3/4" = 1'-0" REF A02

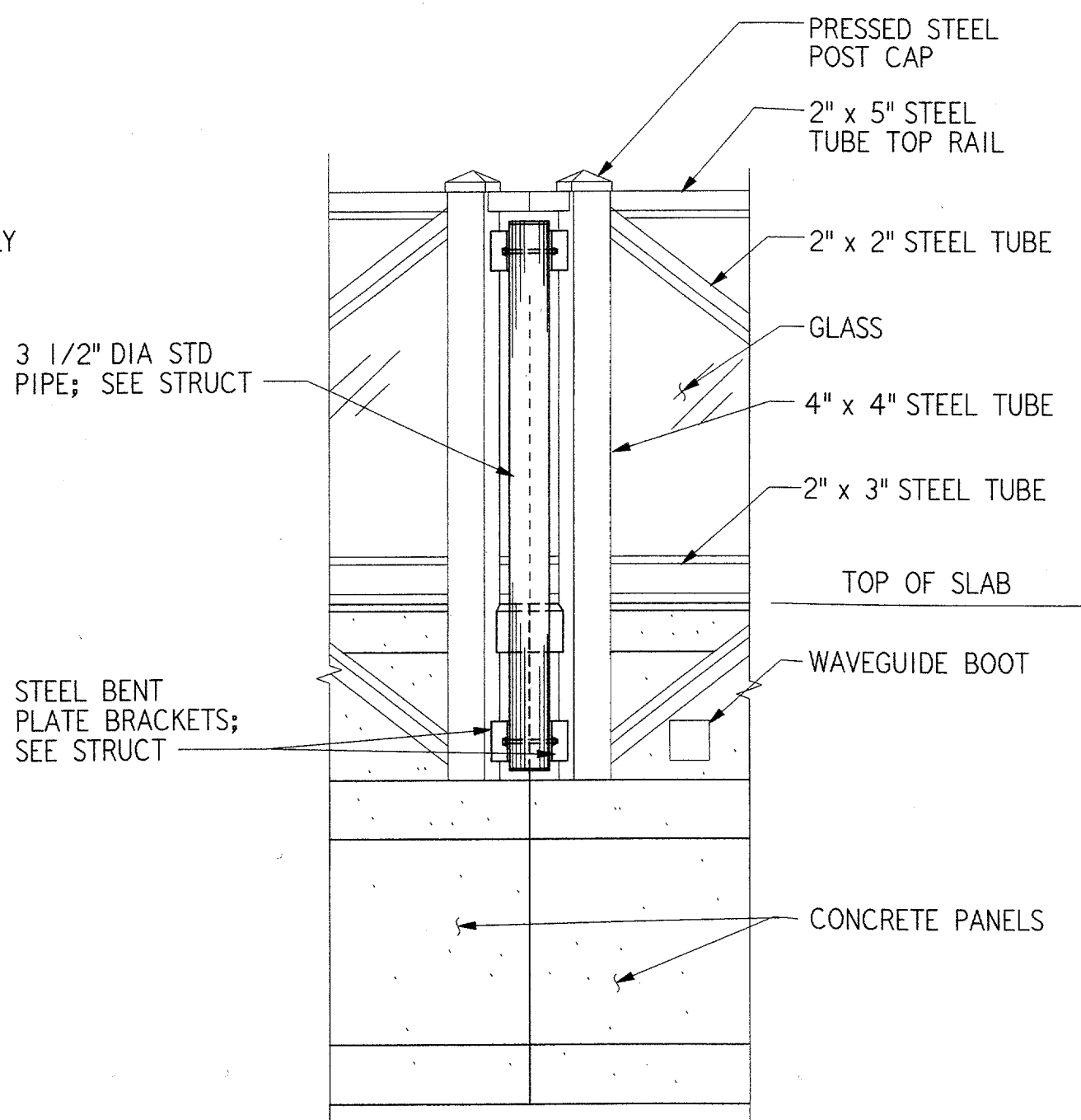


DRYVIT PANEL SILL 6
3" = 1'-0" REF A07 A28

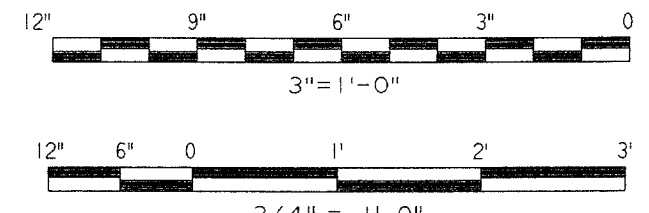


DETAIL 7
3" = 1'-0" REF A03

DETAIL 8
3" = 1'-0" REF A03



ELEVATION 9
3/4" = 1'-0" REF A07



| | | | | |
|------|------|------------------------------|-------|---------|
| REV. | DATE | DESCRIPTION | DFTG. | CHECKED |
| | | | | |
| | | PARSONS DALLAS, TX | | |

DEPARTMENT OF TRANSPORTATION
FEDERAL AVIATION ADMINISTRATION
 SOUTHWEST REGION FORT WORTH, TEXAS
 LOW ACTIVITY LEVEL
 AIRPORT TRAFFIC CONTROL TOWER
WALL SECTIONS AND DETAILS
ATCT
 (ADDISON AIRPORT) TEXAS

| | | |
|----------------------------|---------------------------------------|------------------------------|
| DESIGNED: GARY WILLIAMS | ISSUED BY: AIRWAY FACILITIES DIVISION | DATE: 06-22-01 |
| REVIEWED: A. AMBARDEKAR | APPROVED: <i>[Signature]</i> | DRAWING NUMBER: ADS-ATCT-A29 |
| ORIG. DFT. 1 S. RA-PRE-EJA | FACILITY: | |

A29

FILENAME: ADS1A029.WST