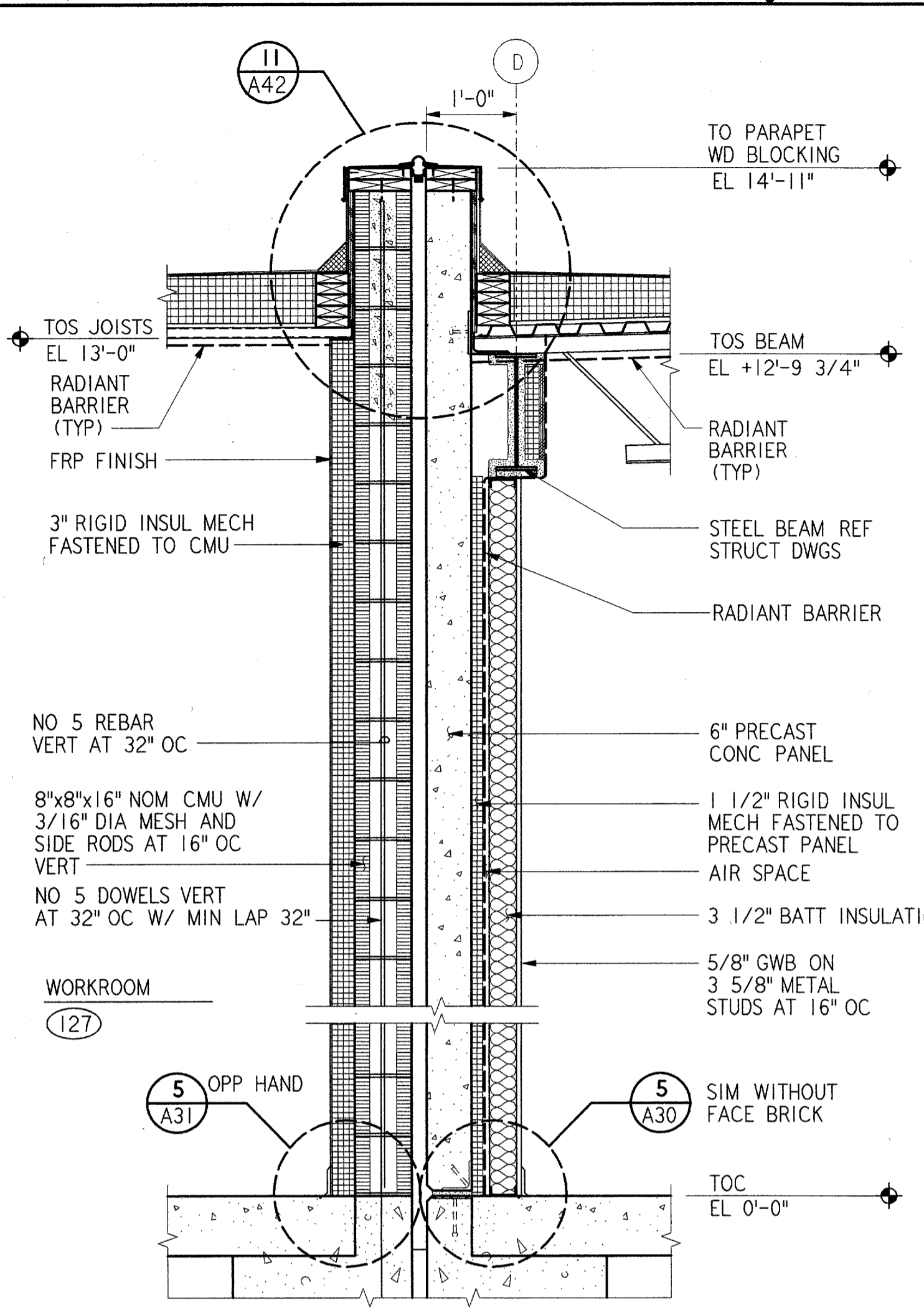
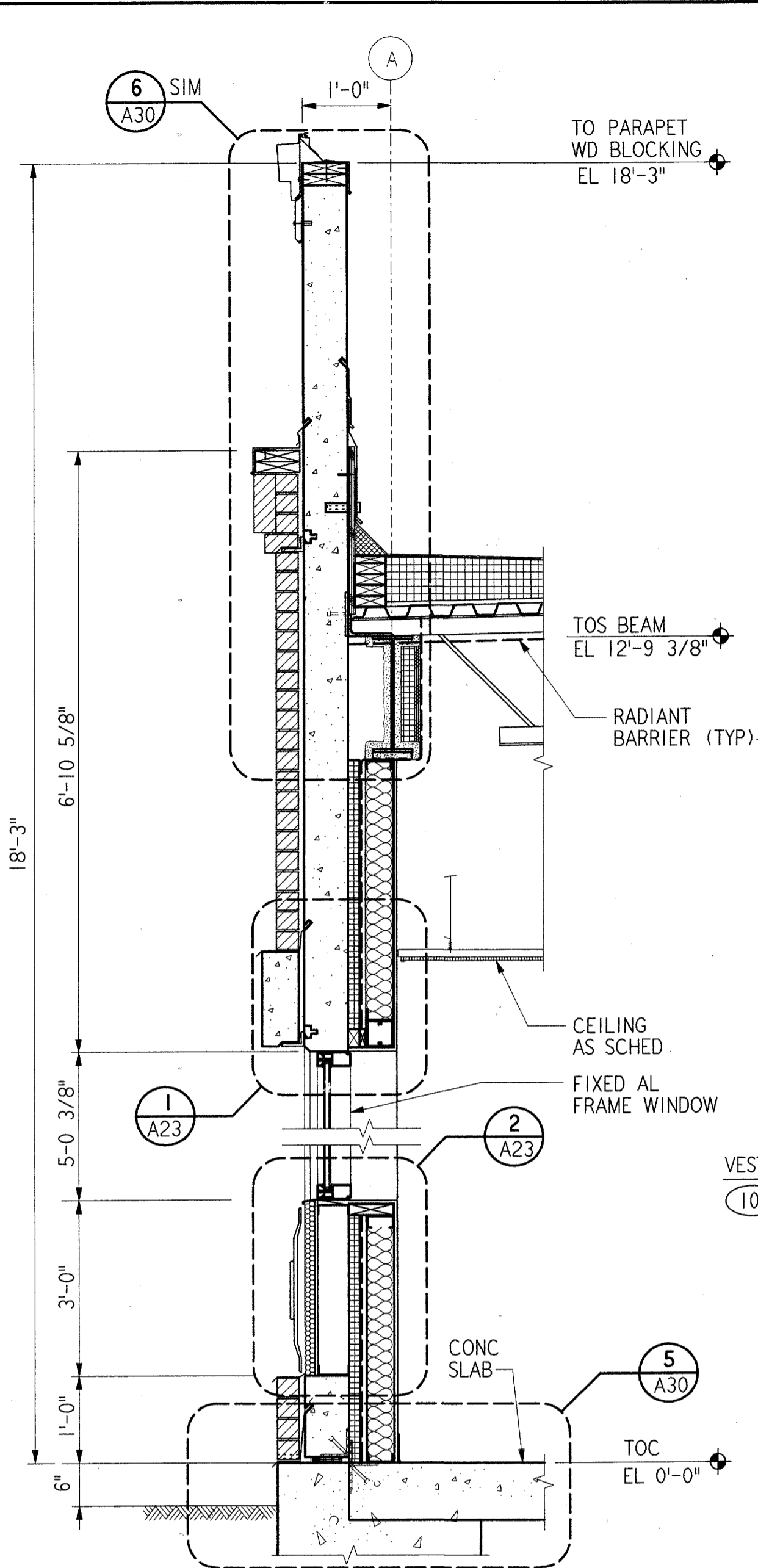


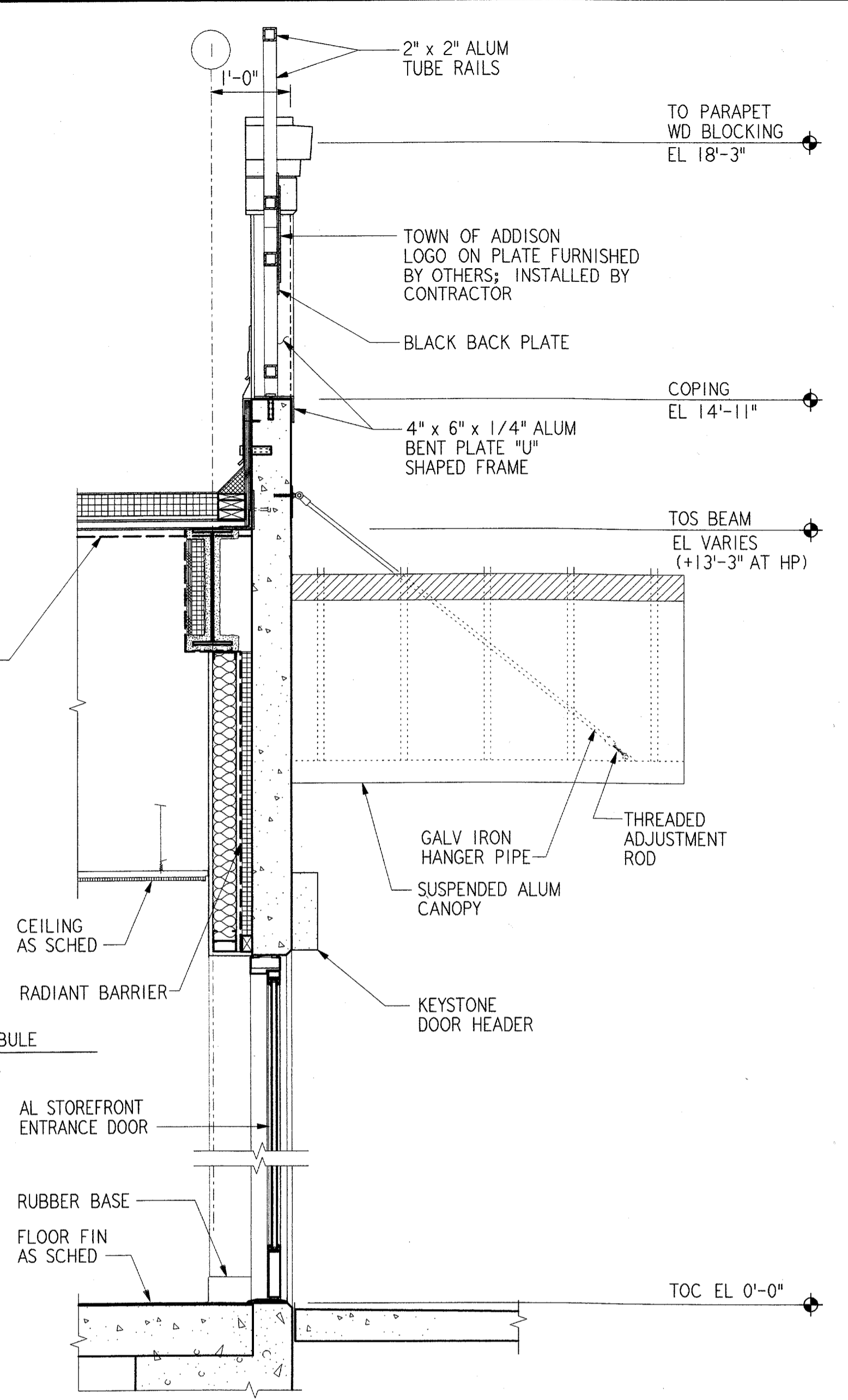
SECTION 1 REF A04
3/4" = 1'-0"



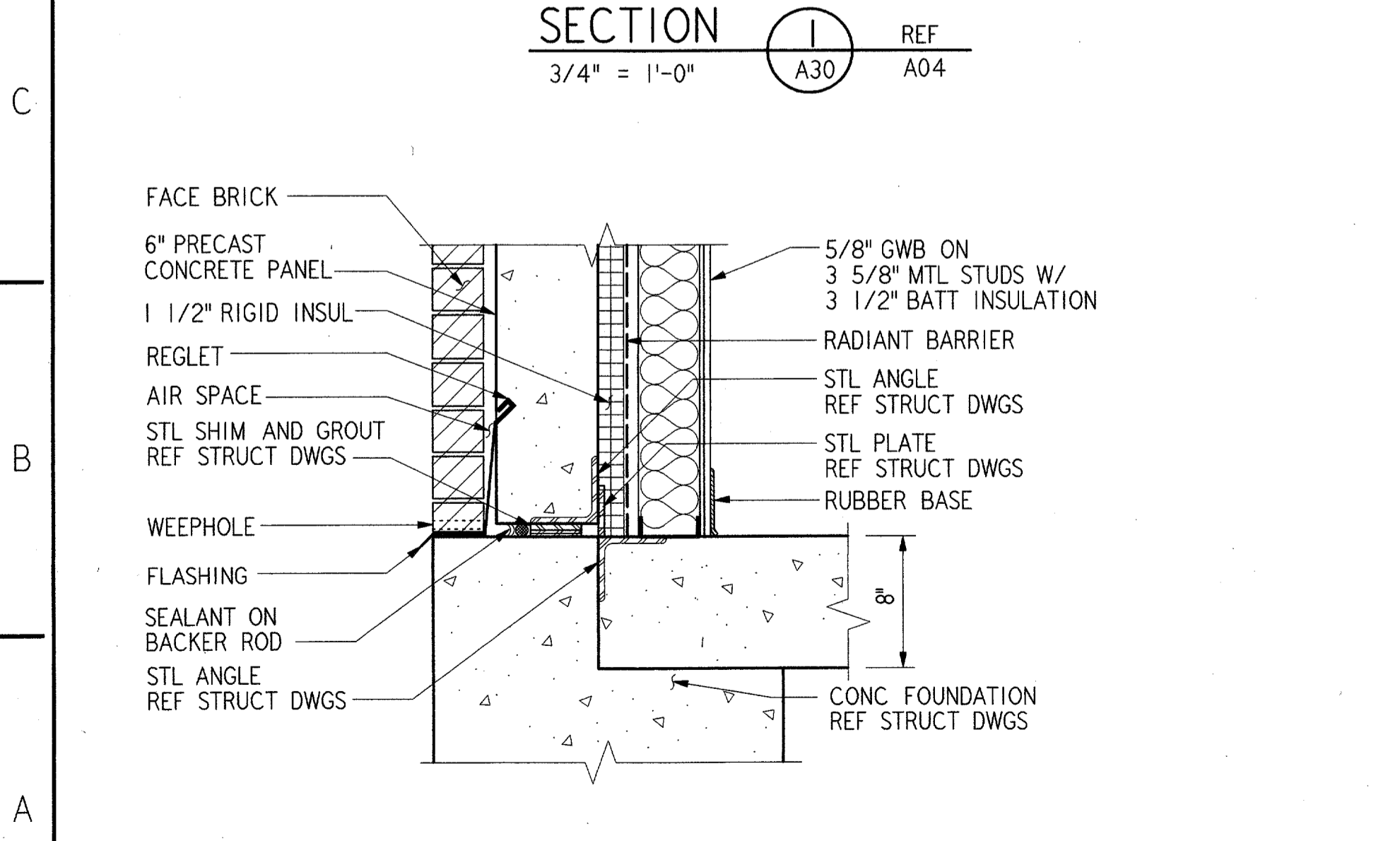
SECTION 3 REF A04 A12
3/4" = 1'-0"



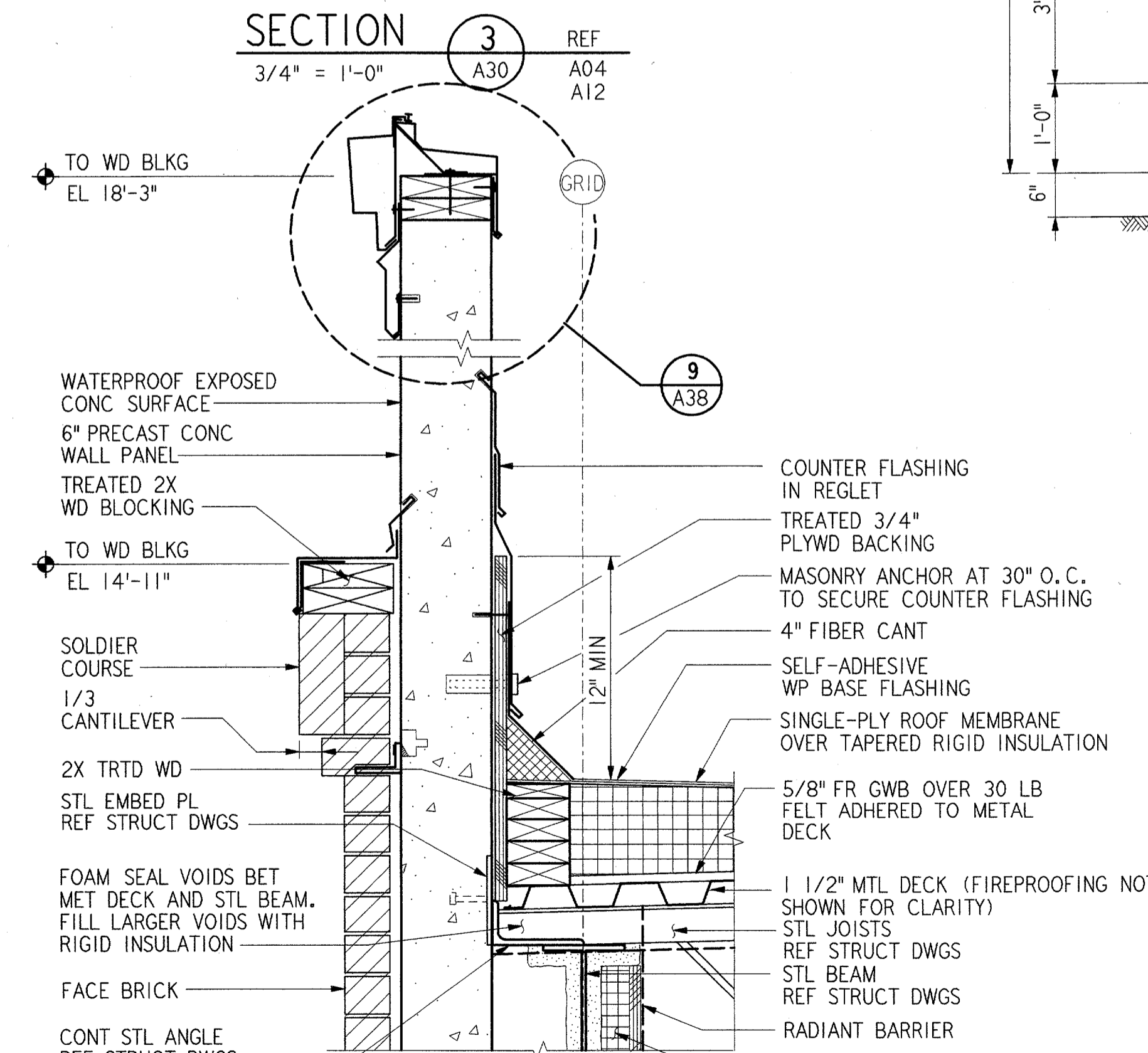
SECTION 2 REF A04 A12
3/4" = 1'-0"



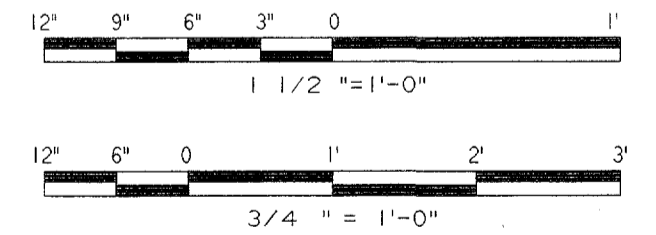
SECTION 4 REF A12
3/4" = 1'-0"



SECTION 5 REF A31
1/2" = 1'-0"



SECTION 6 REF A31
1/2" = 1'-0"



REV. DATE DESCRIPTION DFTG. CHECKED

REGISTERED ARCHITECT
JAMES E. HARPER
STATE OF TEXAS
1872

PARSONS
DALLAS, TX

DEPARTMENT OF TRANSPORTATION
FEDERAL AVIATION ADMINISTRATION
SOUTHWEST REGION FORT WORTH, TEXAS

LOW ACTIVITY LEVEL
AIRPORT TRAFFIC CONTROL TOWER

WALL SECTIONS AND DETAILS
BASE-EG BUILDING

ADDISON (ADDISON AIRPORT) TEXAS

DESIGNED: GARY WILLIAMS
REVIEWED: A. AMBARDEKAR
ORIG. DFT. : E. DANE
FACILITY:

ISSUED BY
AIRWAY FACILITIES DIVISION

DATE: 06-22-01
DRAWING NUMBER:
ADS-ATCT- A30

A30

FILE NAME: ADSA30.WST