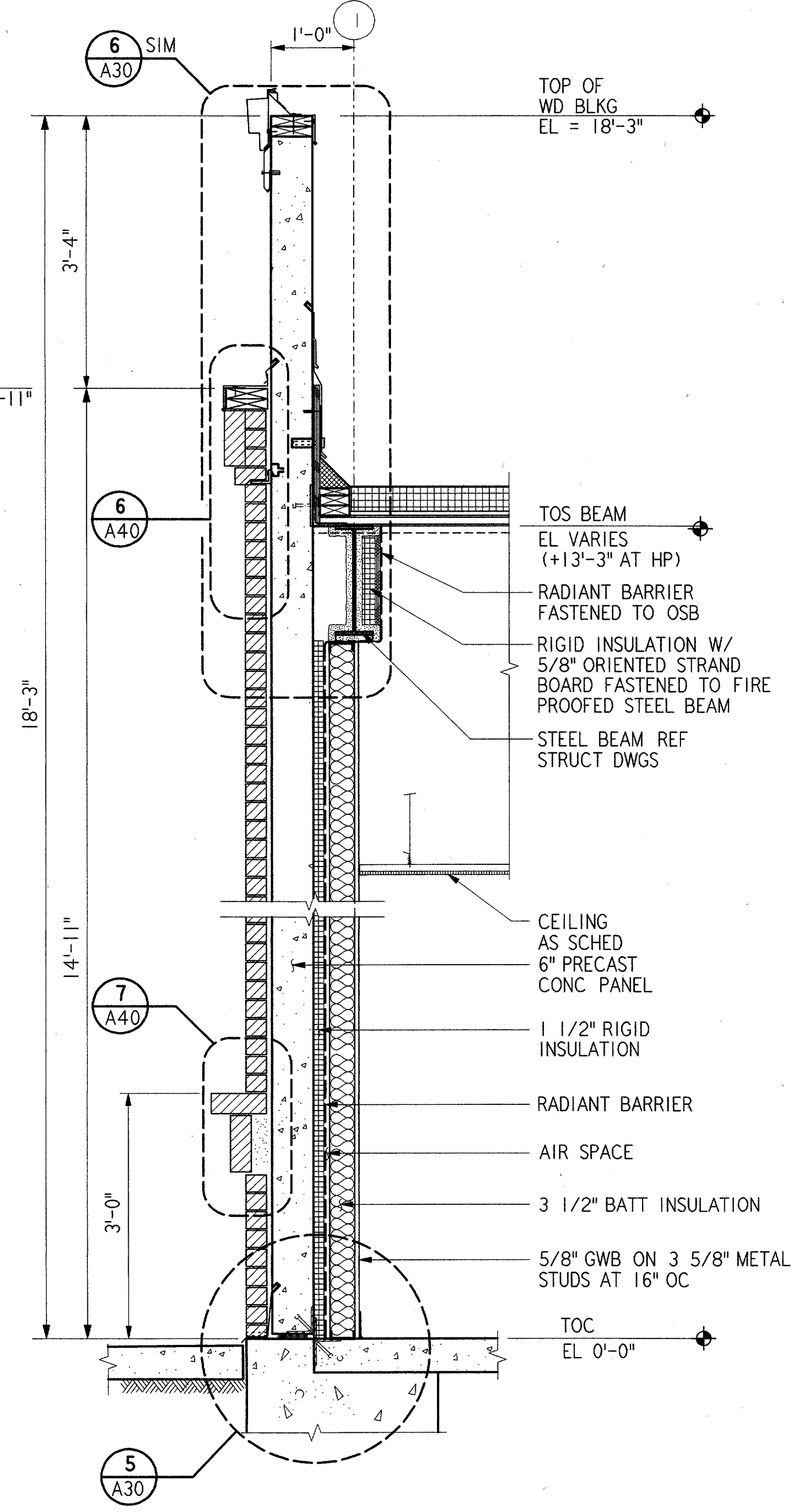
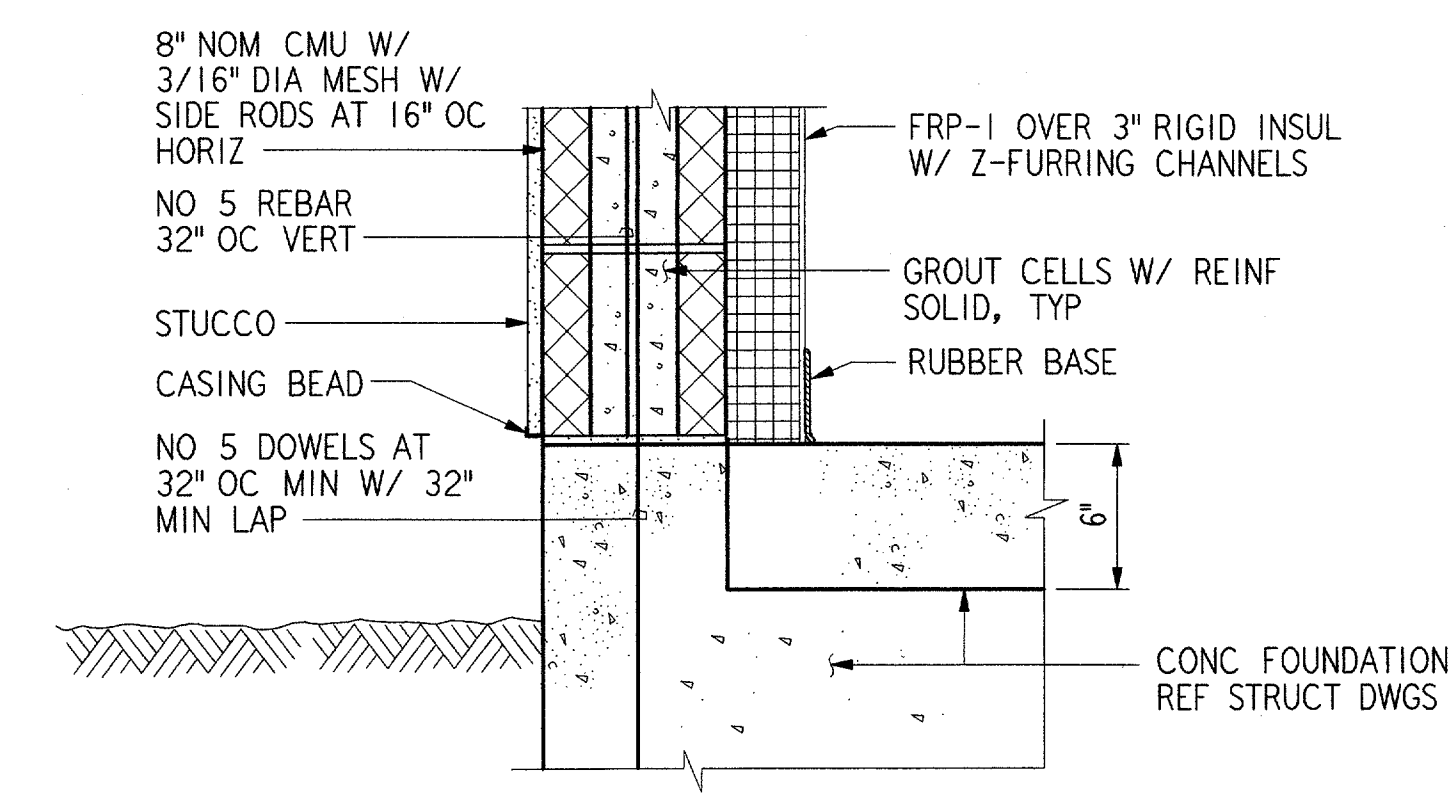


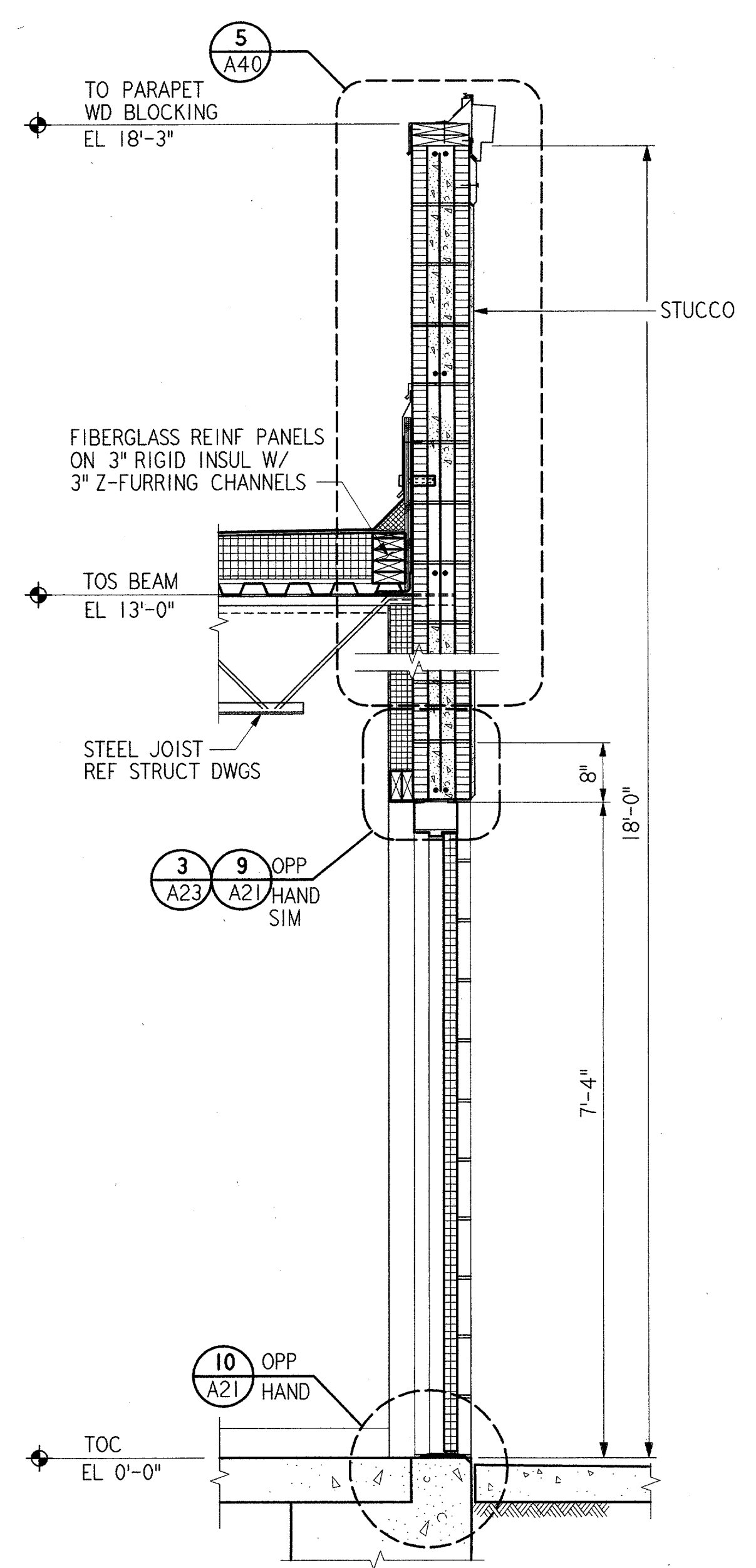
H
G
F
E
D
C
B
A



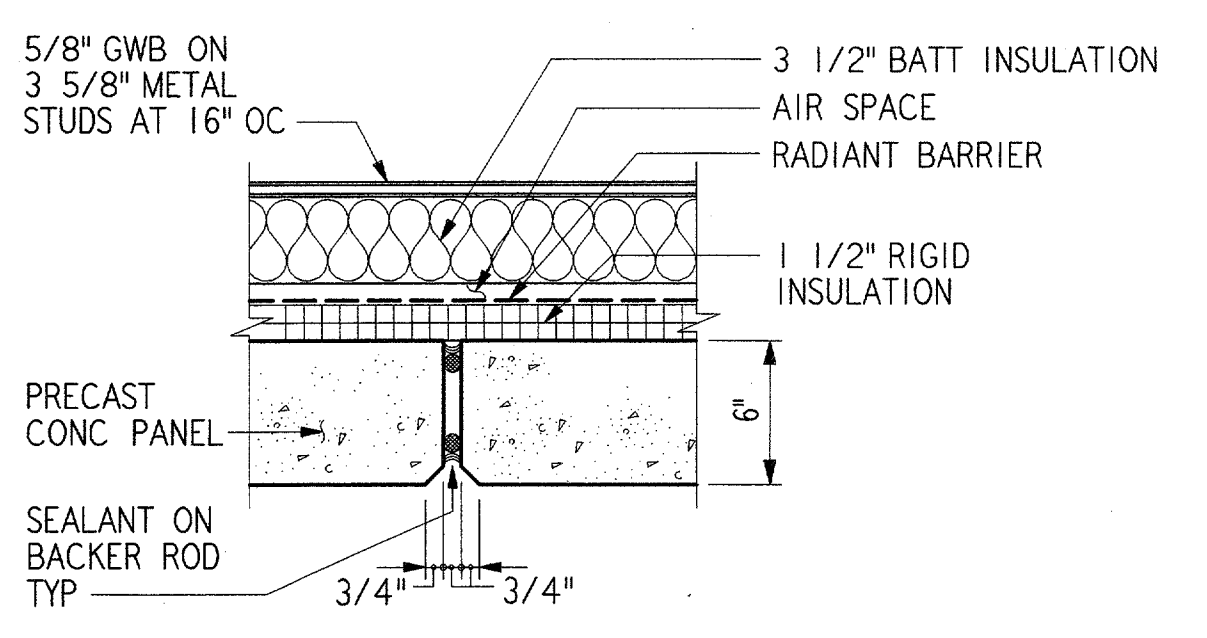
SECTION 1 REF
3/4" = 1'-0" A31 A04 A12



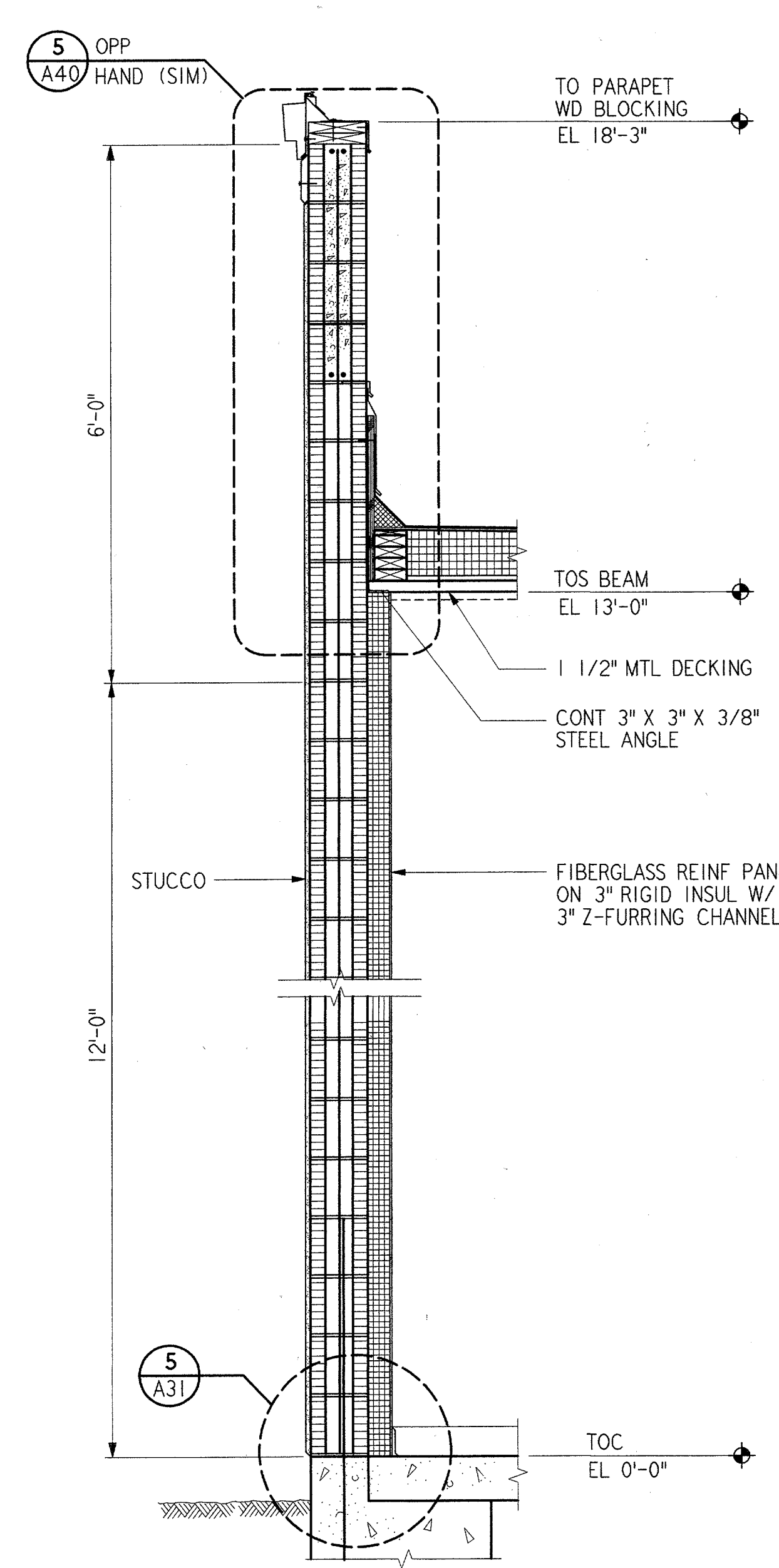
DETAIL 5 REF
1 1/2" = 1'-0" A31 A30



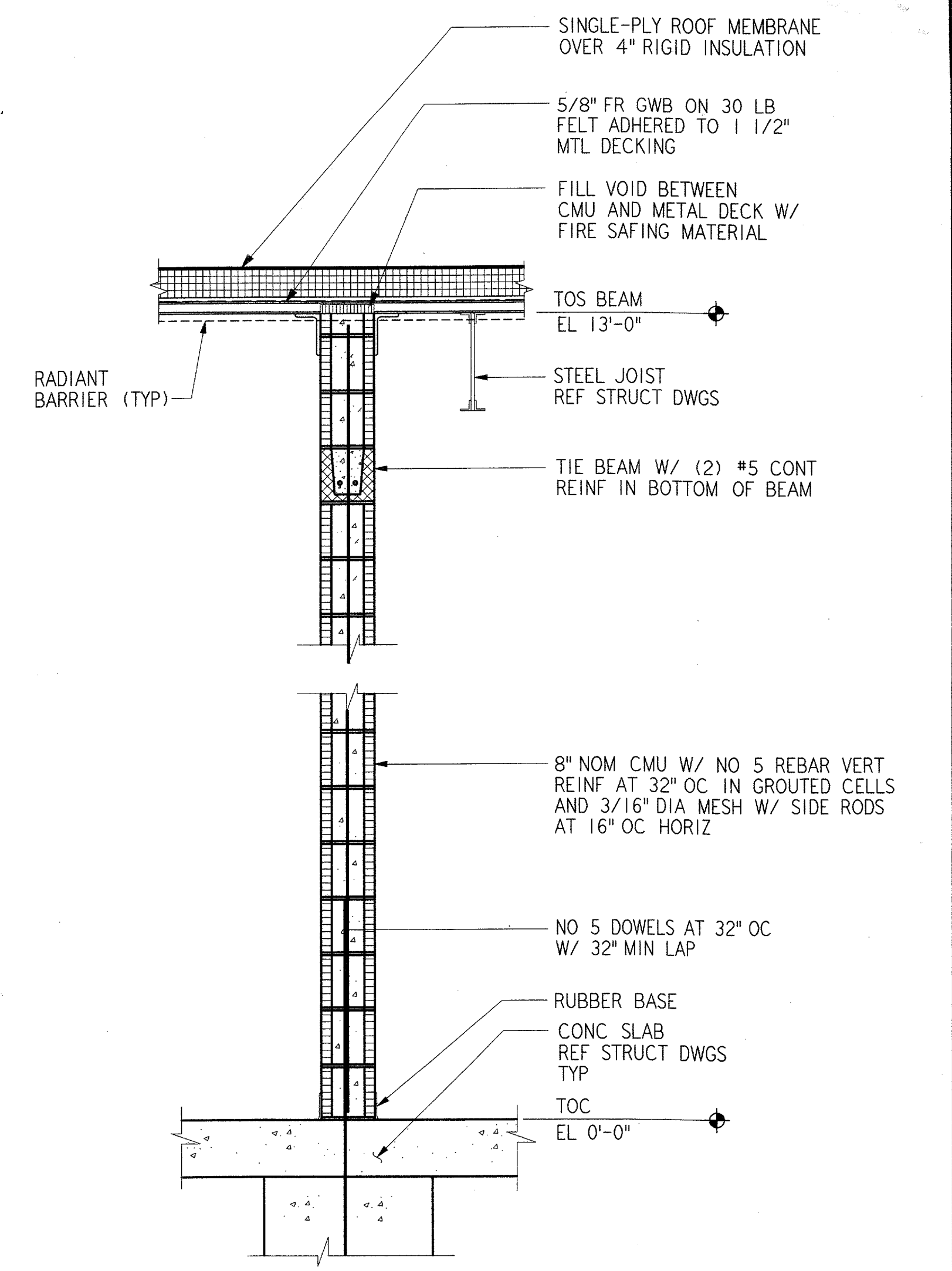
SECTION 2 REF
3/4" = 1'-0" A31 A04



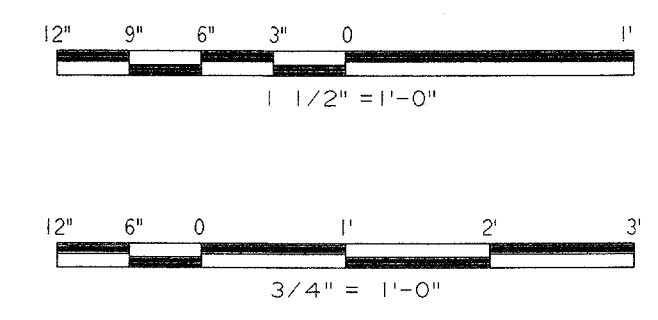
TYP VERTICAL PRECAST JOINT 6 REF
1 1/2" = 1'-0" A31 A10 A11



SECTION 3 REF
3/4" = 1'-0" A31 A04 A12



SECTION 4 REF
3/4" = 1'-0" A31 A04 A12



James E. Harper 6/22/01		DALLAS, TX	

DEPARTMENT OF TRANSPORTATION FEDERAL AVIATION ADMINISTRATION SOUTHWEST REGION FORT WORTH, TEXAS			
LOW ACTIVITY LEVEL AIRPORT TRAFFIC CONTROL TOWER			
WALL SECTIONS AND DETAILS BASE-EG BUILDING			
ADDISON (ADDISON AIRPORT) TEXAS		ADDISON AIRPORT	
DESIGNED: GARY WILLIAMS REVIEWED: A. AMBARDEKAR ORIG. DFT.: E. DANE FACILITY:	ISSUED BY: AIRWAY FACILITIES DIVISION	DATE: 06-22-01 DRAWING NUMBER: ADS-ATCT- A31	SYSTEMS ENGINEER ANI-640 MANAGER TERMINAL PLATFORM, ANI-640

A31

FILE NAME: ADS\A031.WST