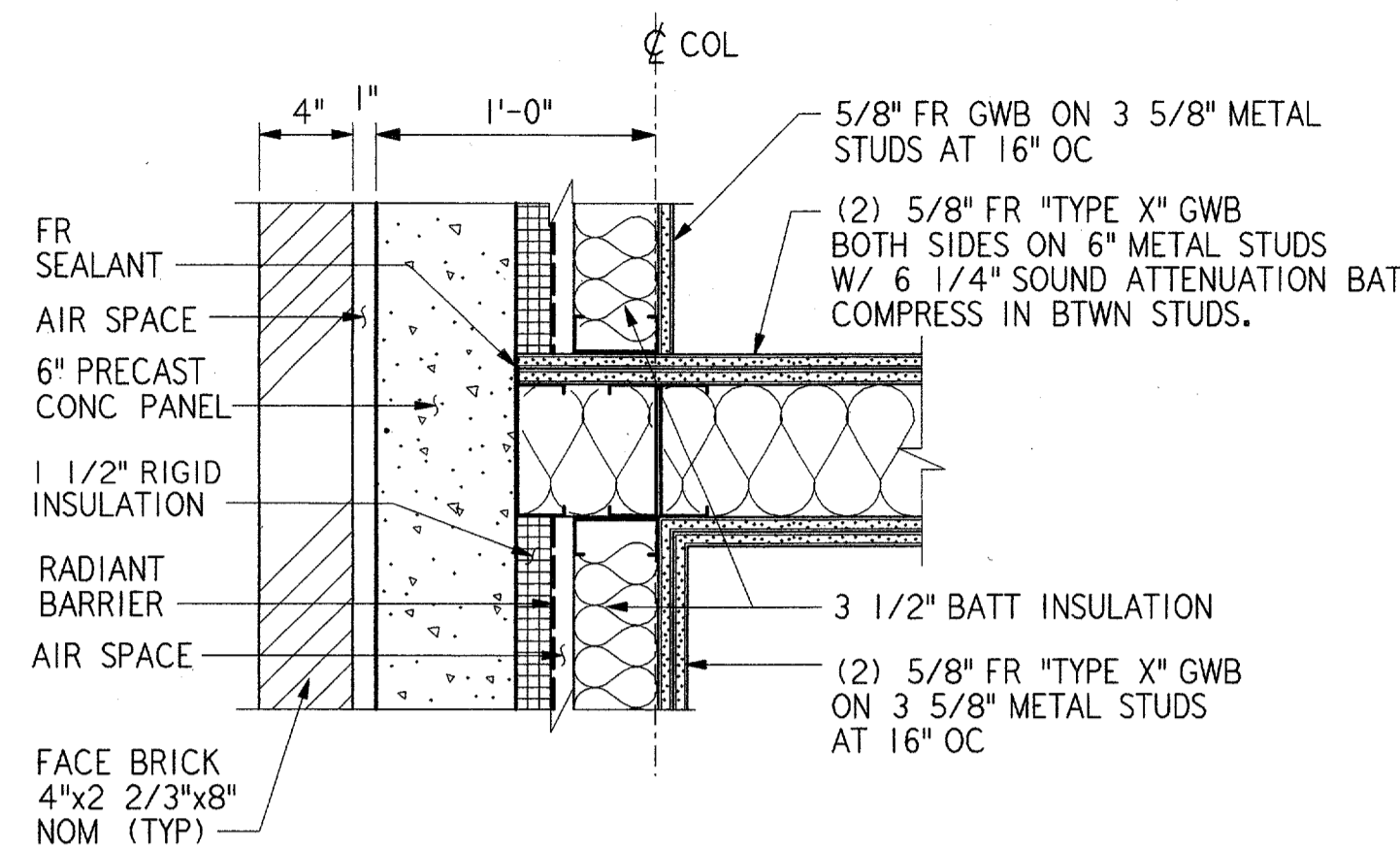
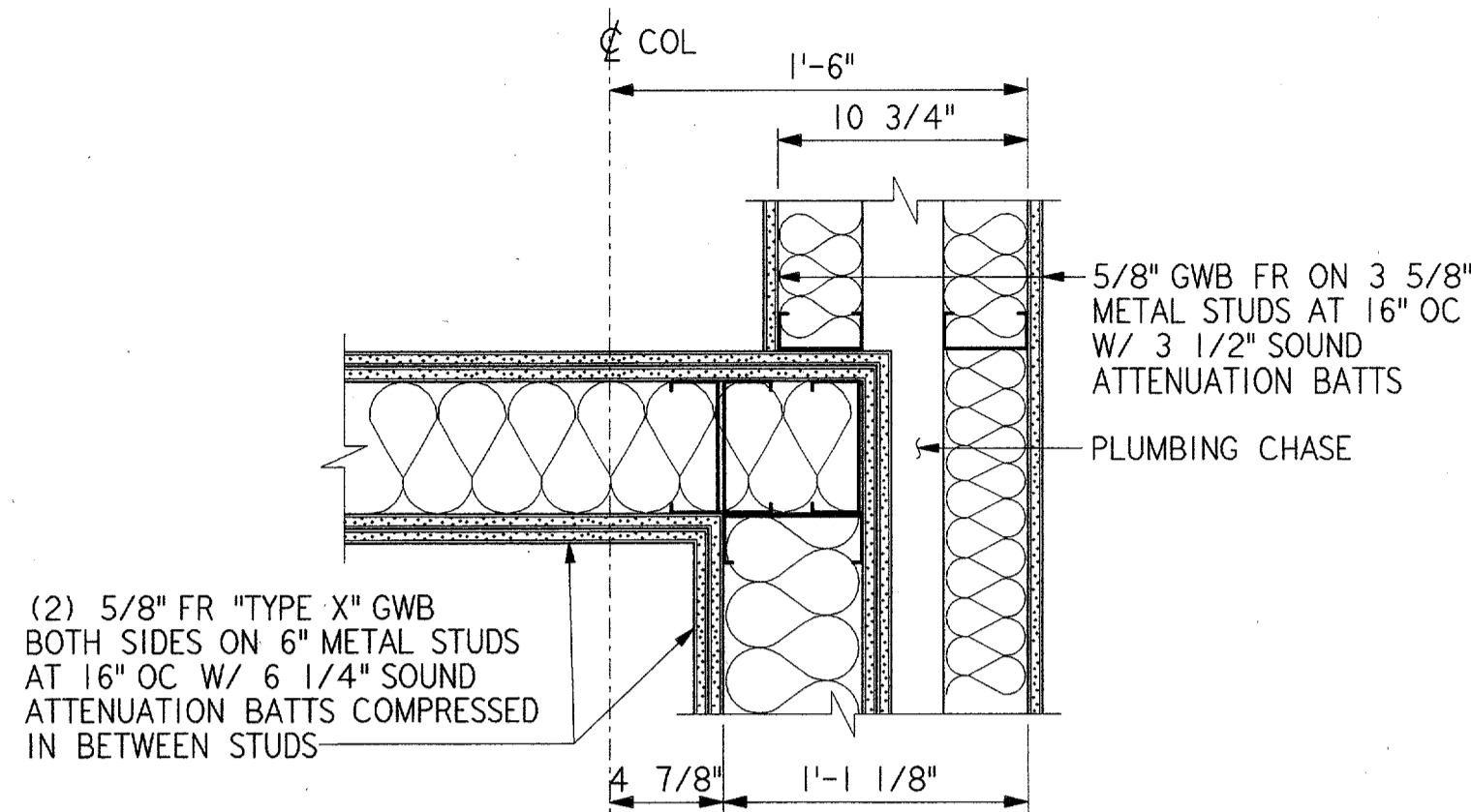


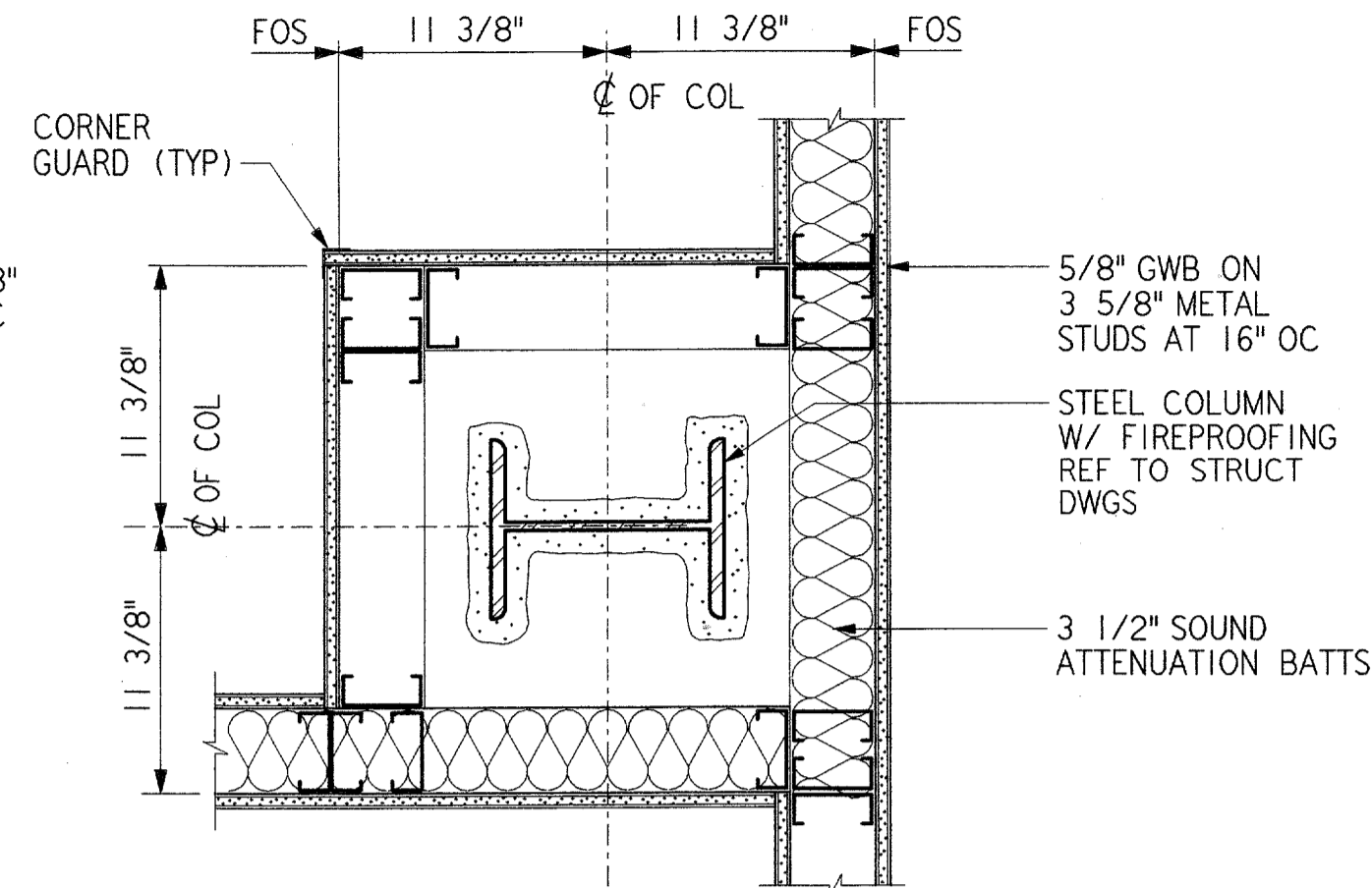
H
G
F
E
D
C
B
A



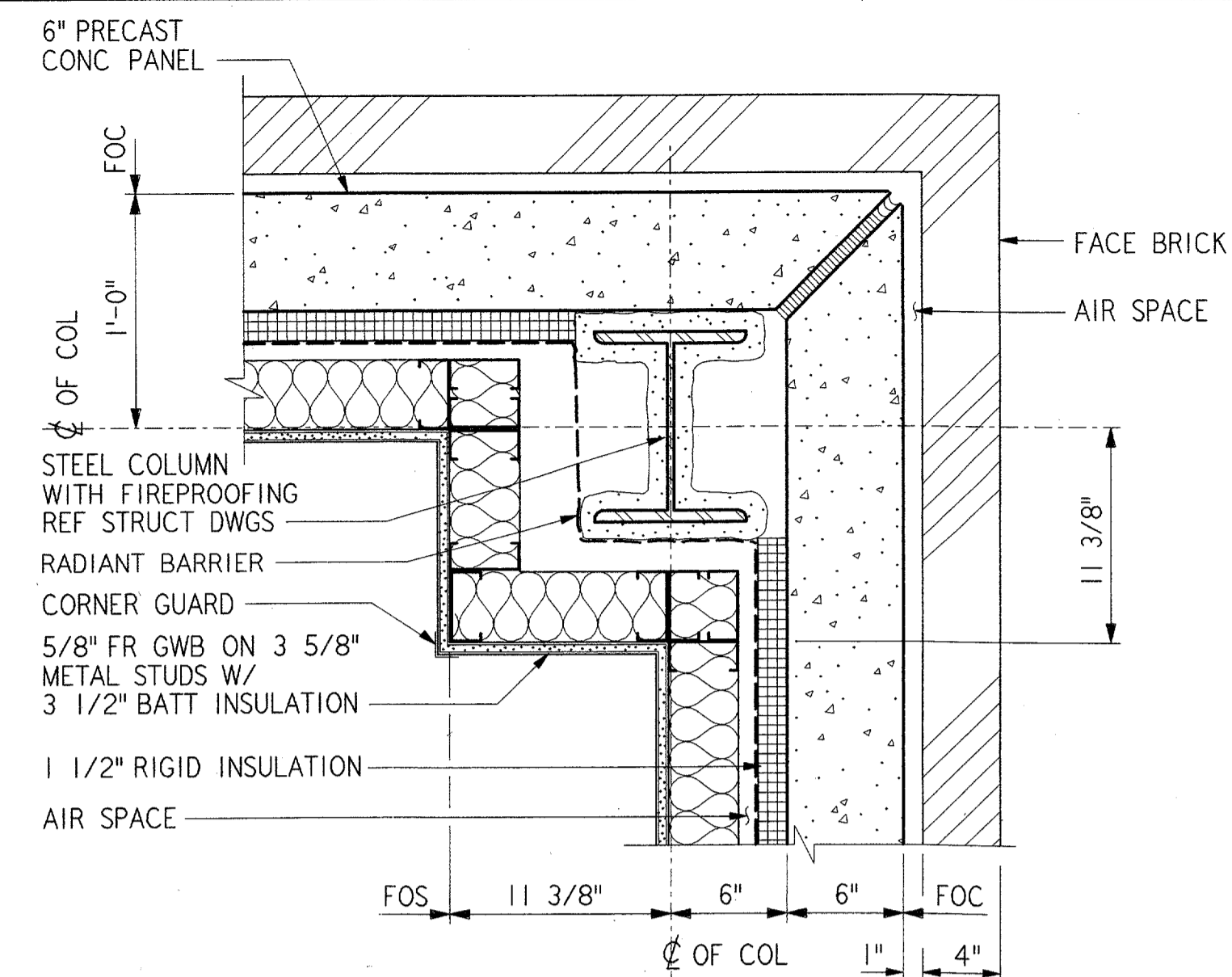
COLUMN DETAIL 1 REF A04
1 1/2" = 1'-0" A32



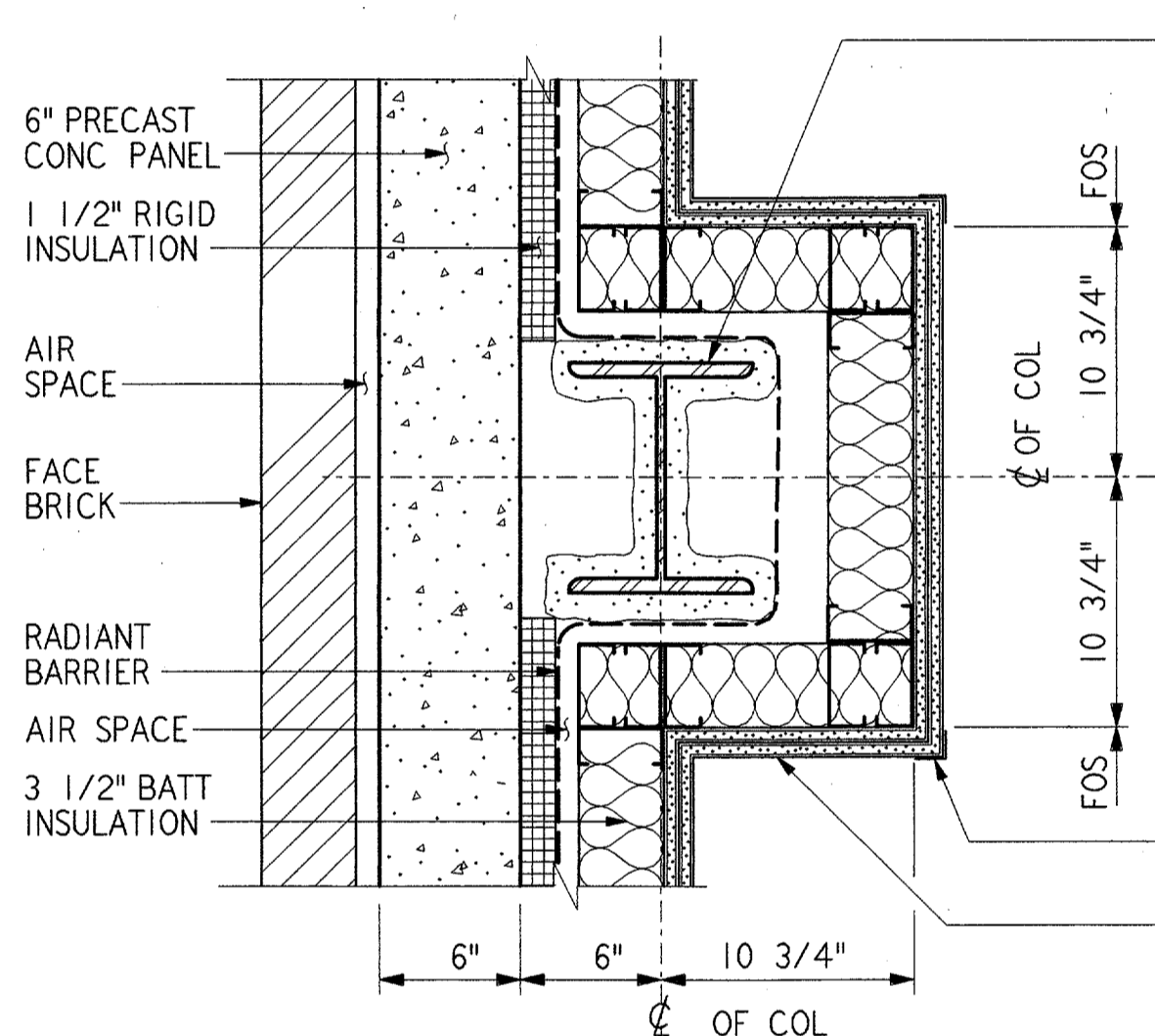
COLUMN DETAIL 2 REF A26
1 1/2" = 1'-0" A32



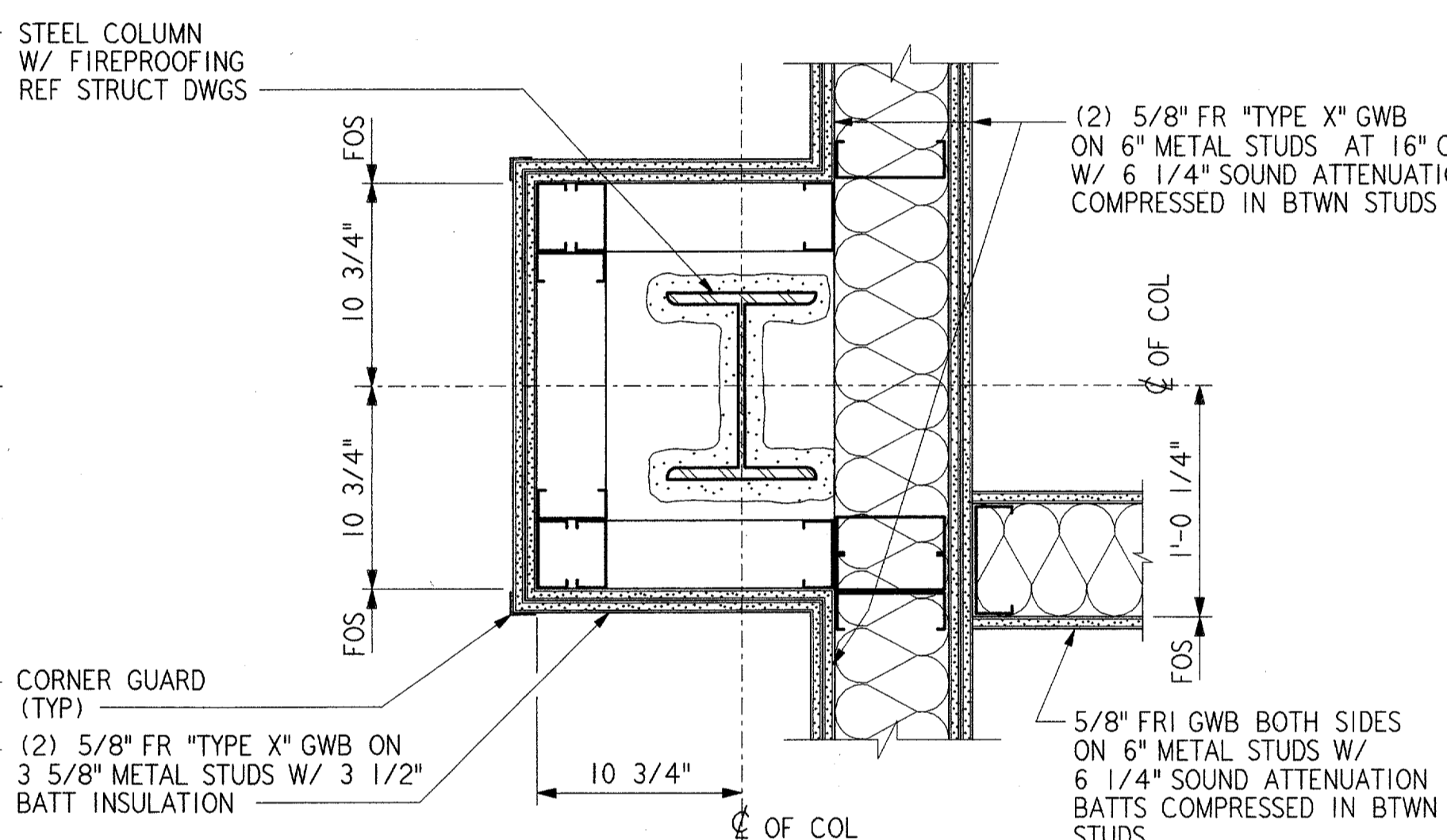
COLUMN DETAIL 3 REF A04
1 1/2" = 1'-0" A32



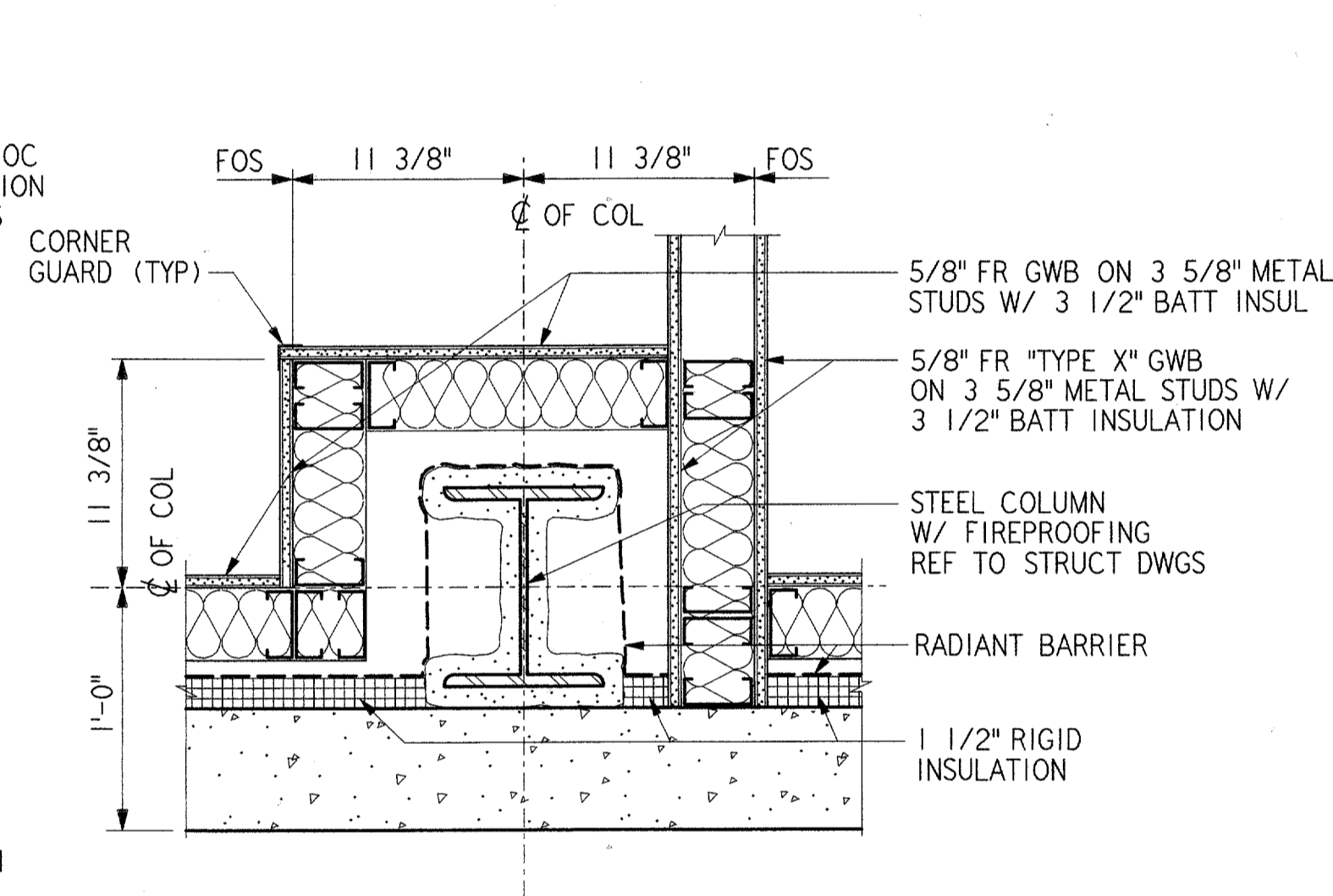
COLUMN DETAIL 4 REF A04
1 1/2" = 1'-0" A32



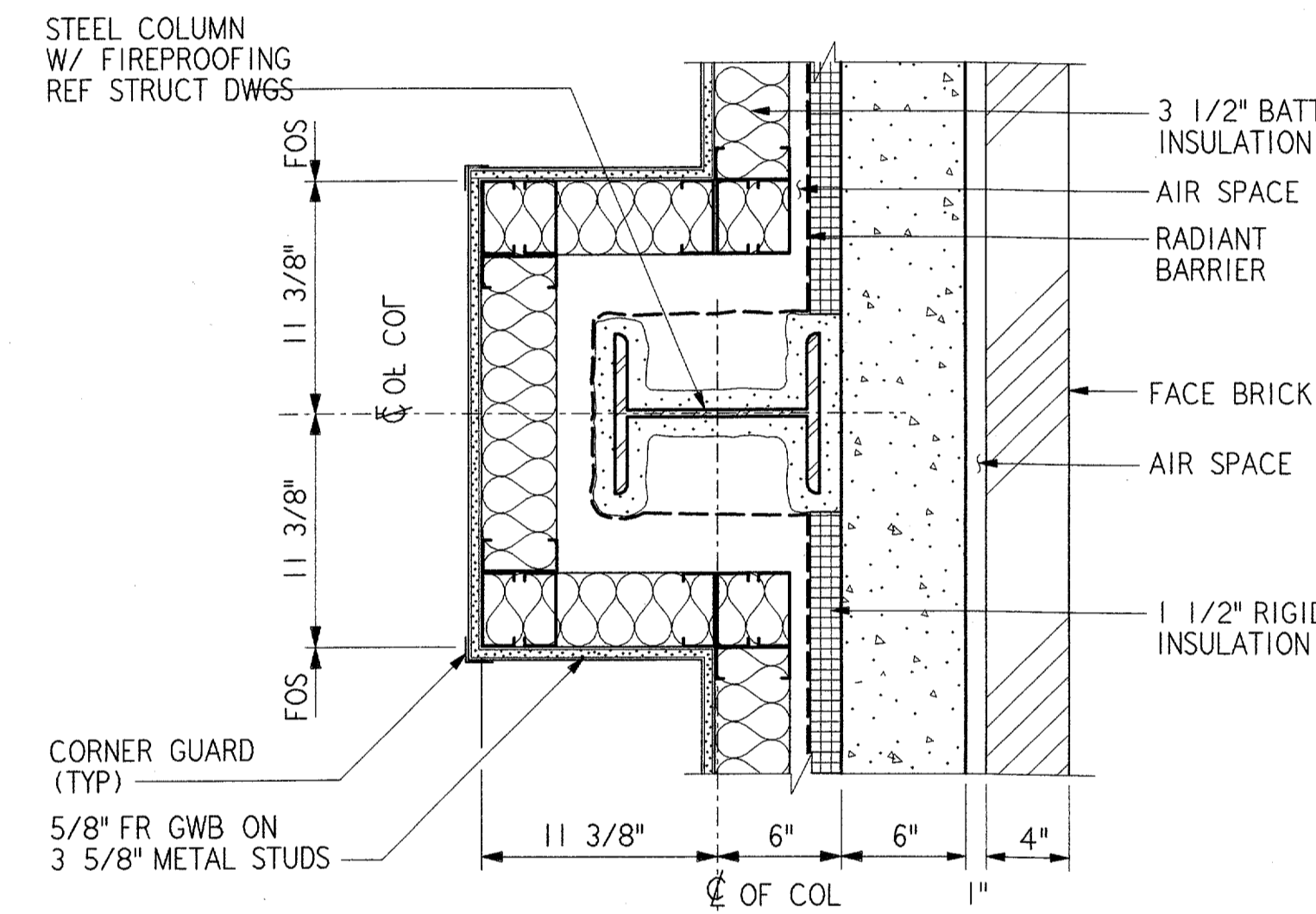
COLUMN DETAIL 5 REF A04
1 1/2" = 1'-0" A32



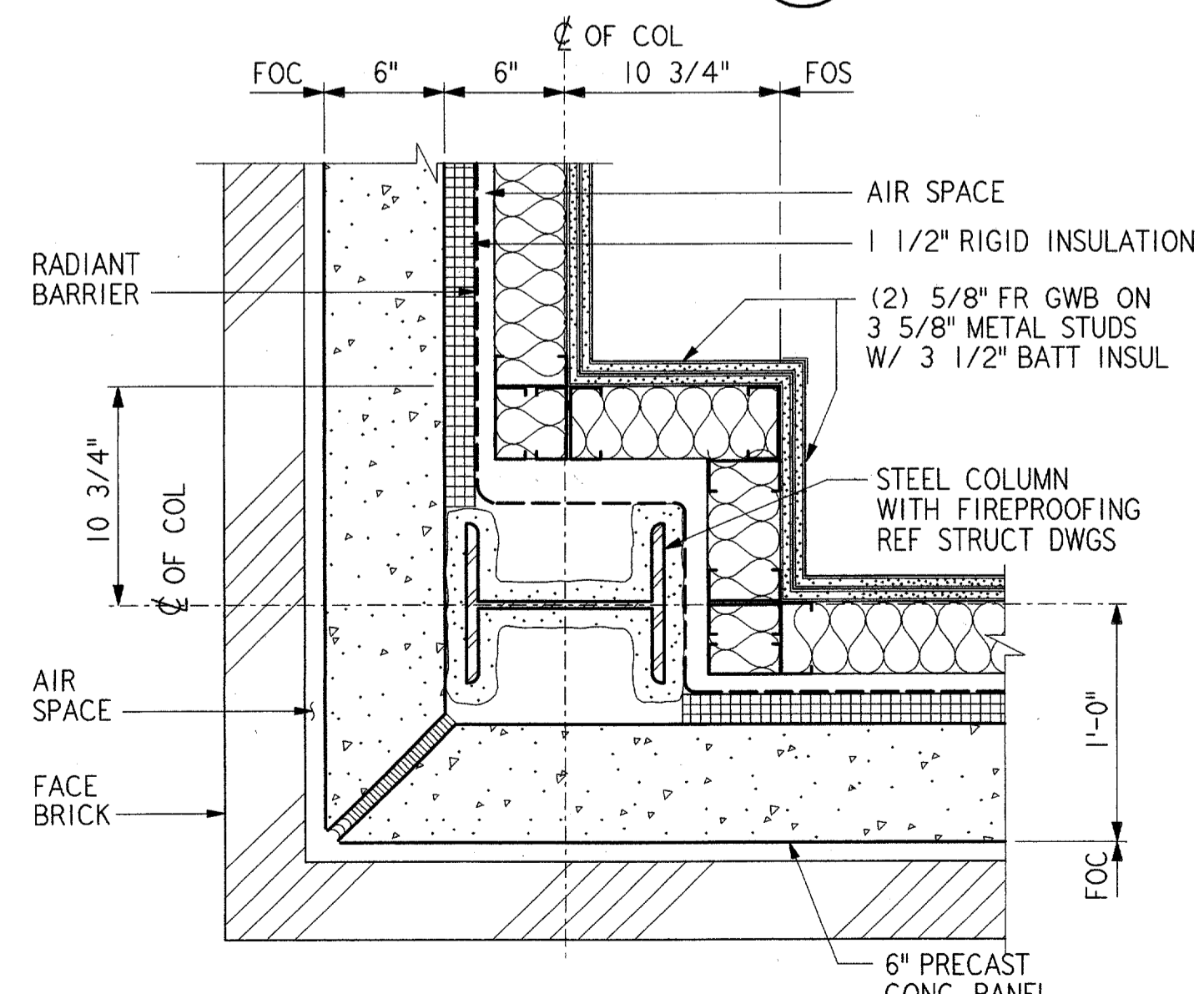
COLUMN DETAIL 6 REF A26
1 1/2" = 1'-0" A32



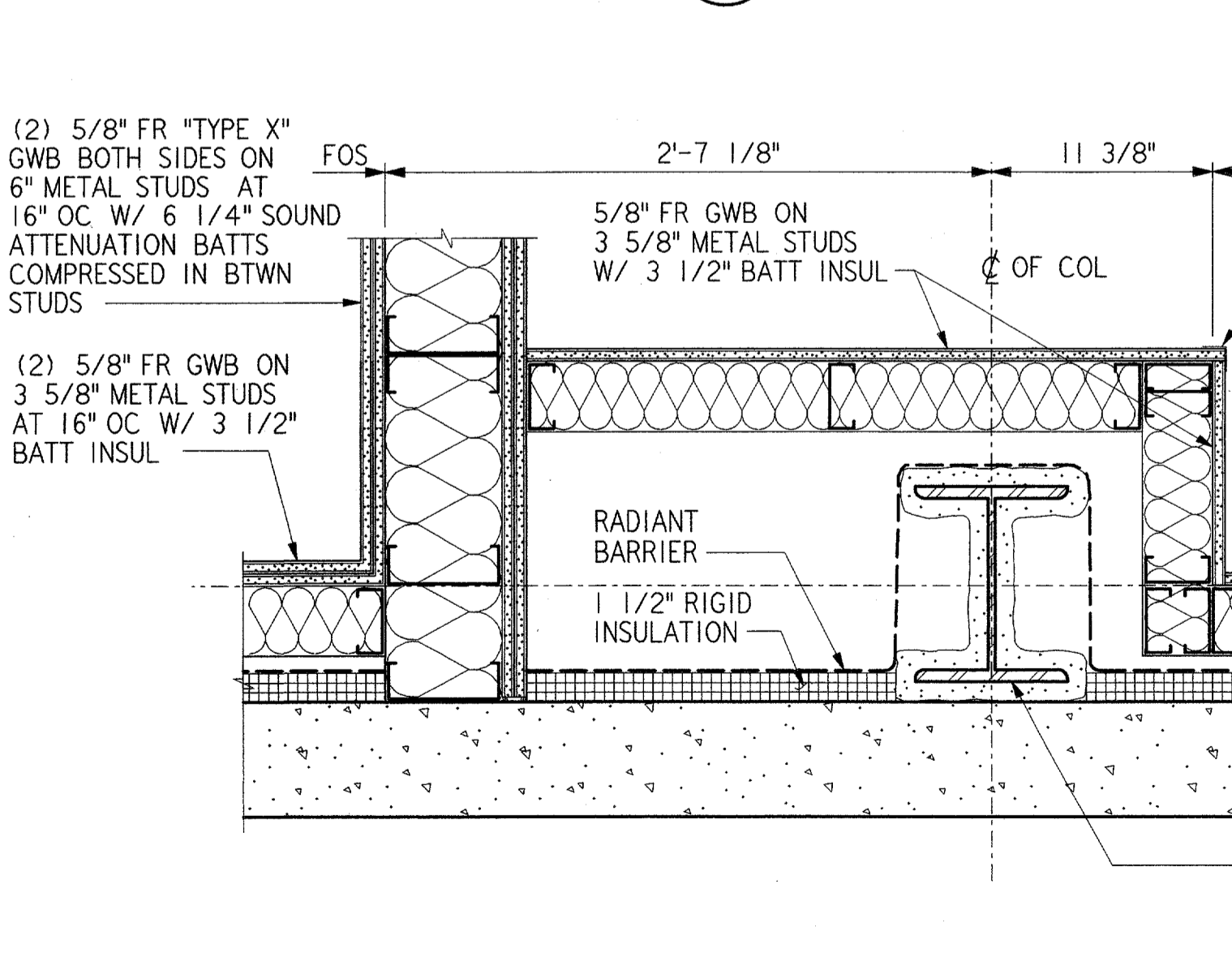
WALL DETAIL 7 REF A04
1 1/2" = 1'-0" A32



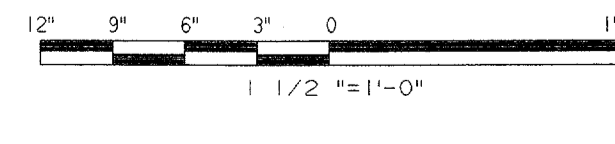
COLUMN DETAIL 8 REF A04
1 1/2" = 1'-0" A32



COLUMN DETAIL 9 REF A04
1 1/2" = 1'-0" A32



COLUMN DETAIL 10 REF A04
1 1/2" = 1'-0" A32



REV. DATE DESCRIPTION DFTG. CHECKED

DESIGNED: GARY WILLIAMS
REVIEWED: A. AMBARDEKAR
ORIG. DFT.: E. DANE
FACILITY:

DATE: 06-22-01
ISSUED BY: AIRWAY FACILITIES DIVISION
DALLAS, TX

REGISTERED ARCHITECT
JAMES E. HANER
18725
STATE OF TEXAS

PARSONS
DALLAS, TX

DEPARTMENT OF TRANSPORTATION
FEDERAL AVIATION ADMINISTRATION
SOUTHWEST REGION FORT WORTH, TEXAS

LOW ACTIVITY LEVEL
AIRPORT TRAFFIC CONTROL TOWER

EXTERIOR AND INTERIOR DETAILS
BASE-EG BUILDING
(ADDISON AIRPORT) TEXAS

ADDISON
SUBMITTED BY: *James E. Haner*
DESIGNED: GARY WILLIAMS
REVIEWED: A. AMBARDEKAR
ORIG. DFT.: E. DANE
FACILITY:

APPROVED BY: *Chris Call*
MANAGER TERMINAL PLATFORM, ANI-640

ISSUED BY: AIRWAY FACILITIES DIVISION
DALLAS, TX

DATE: 06-22-01
DRAWING NUMBER: ADS-ATCT- A32

A32

FILENAME: ADSIA032.DJT