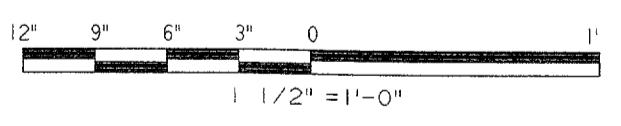
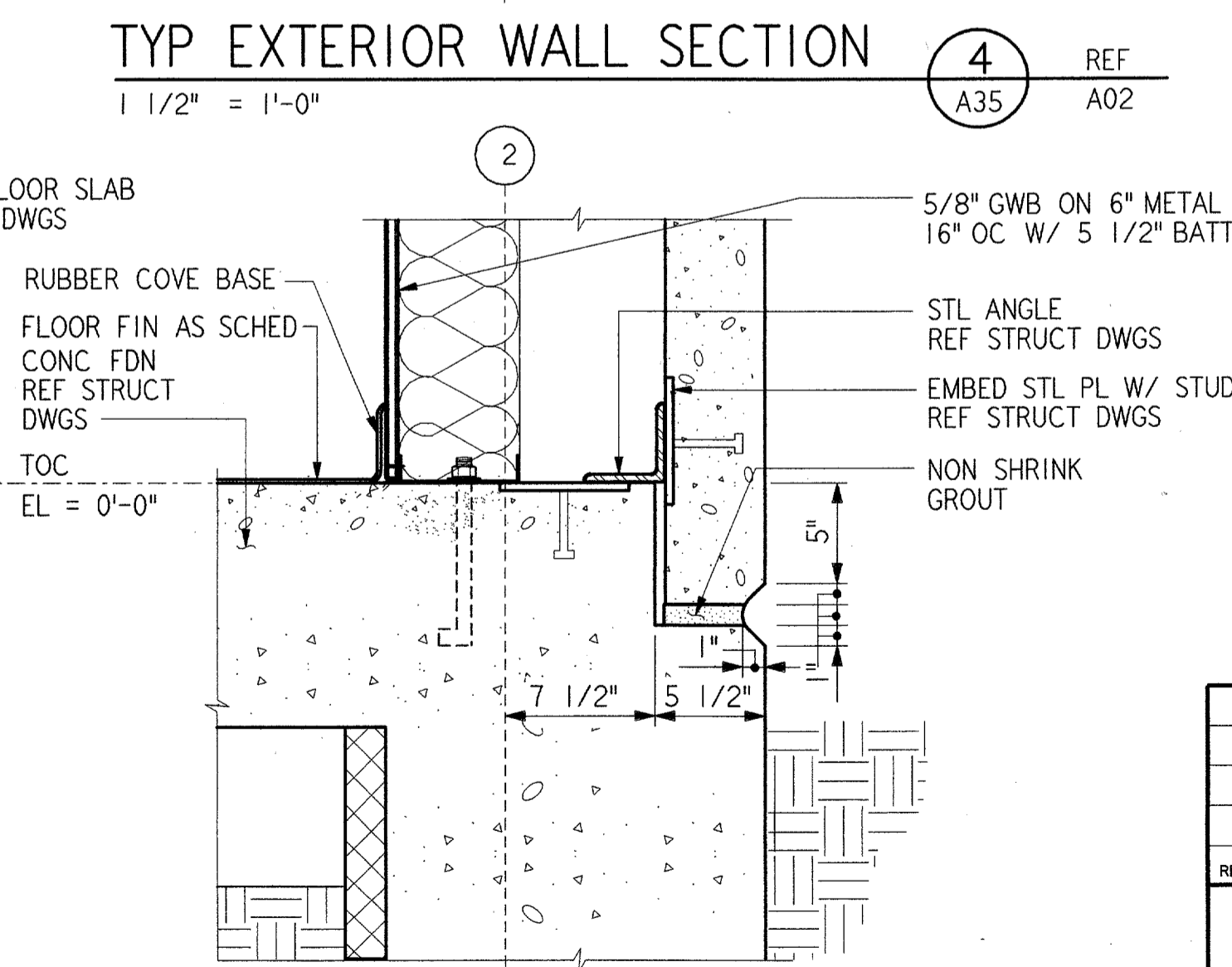
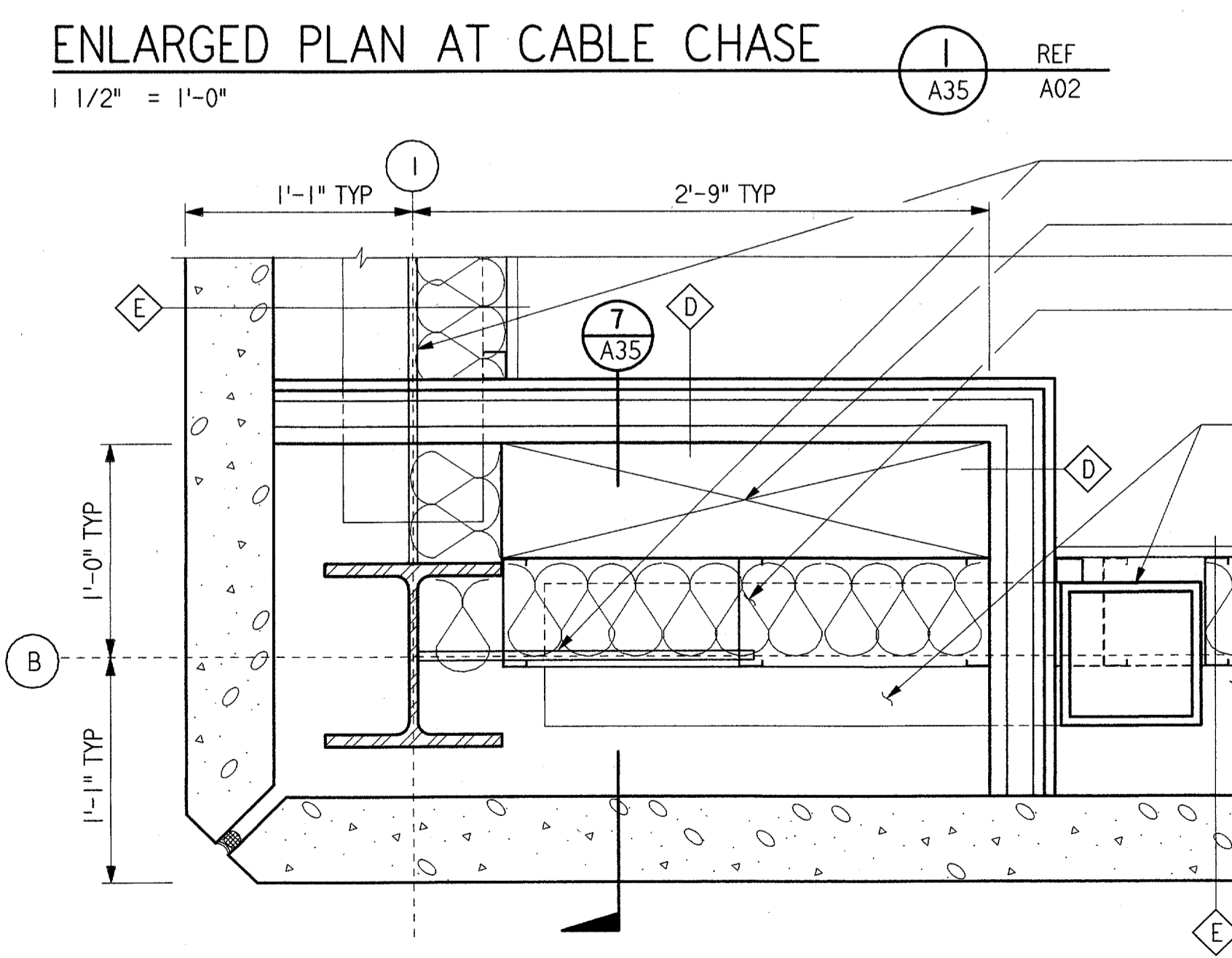
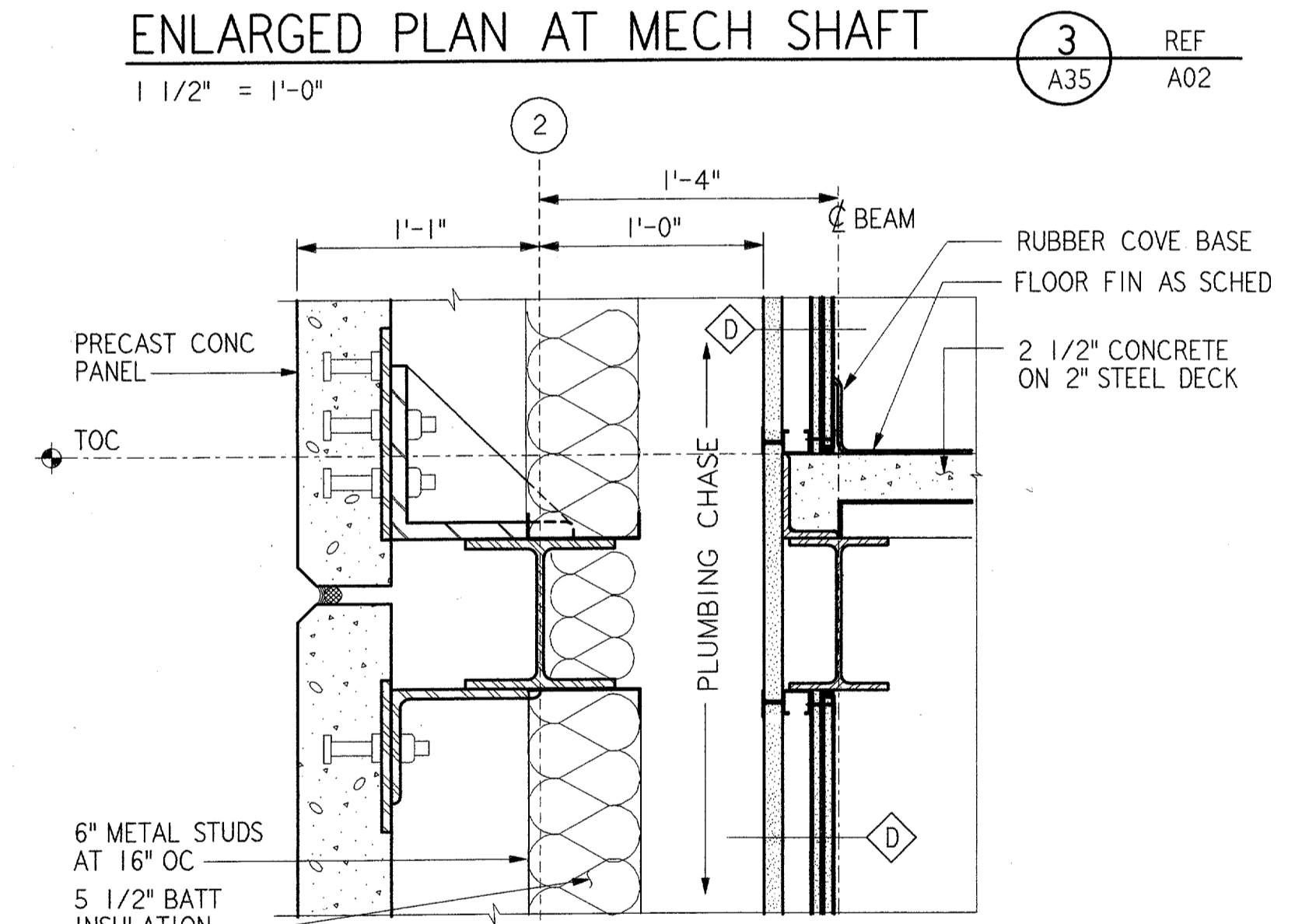
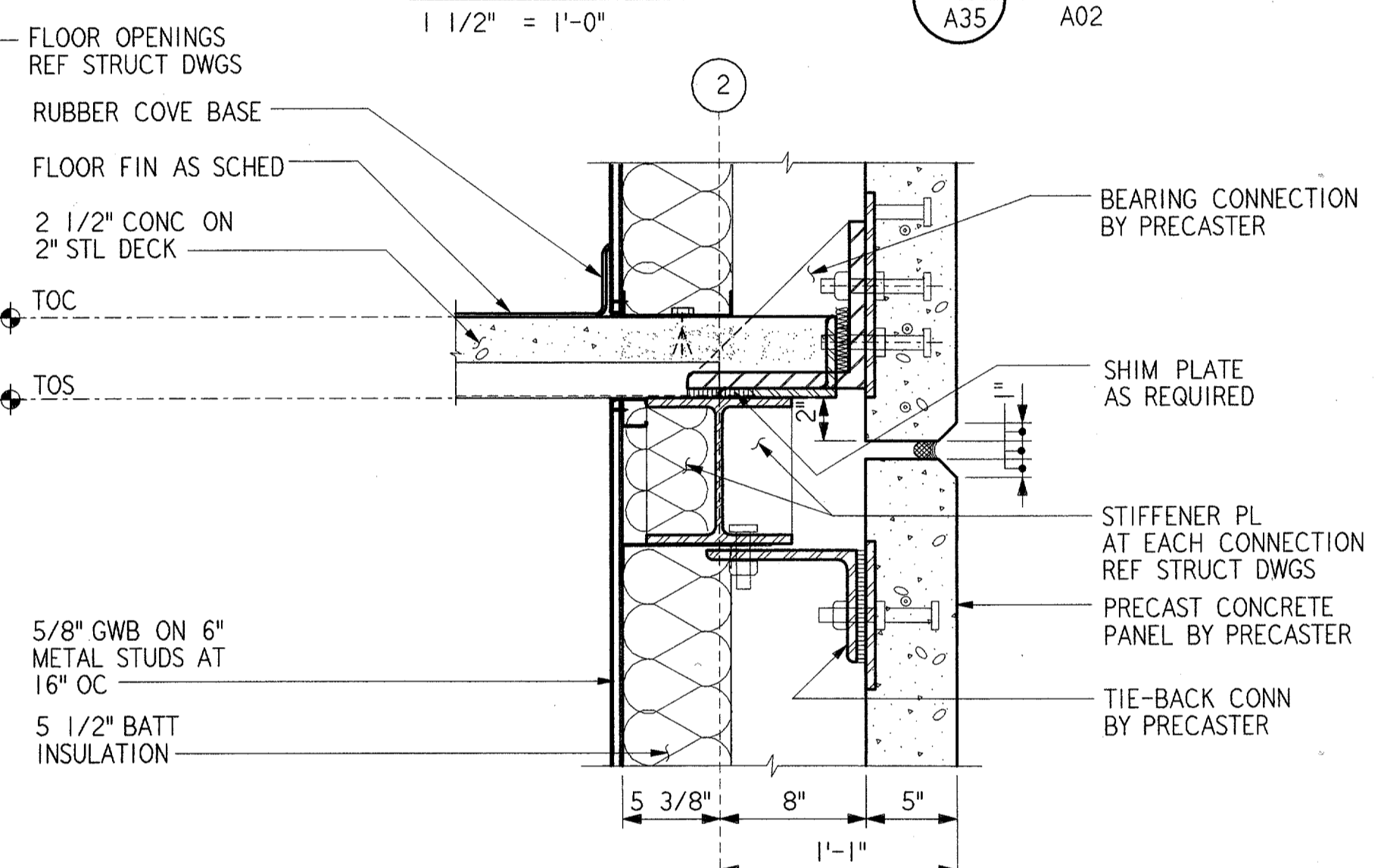
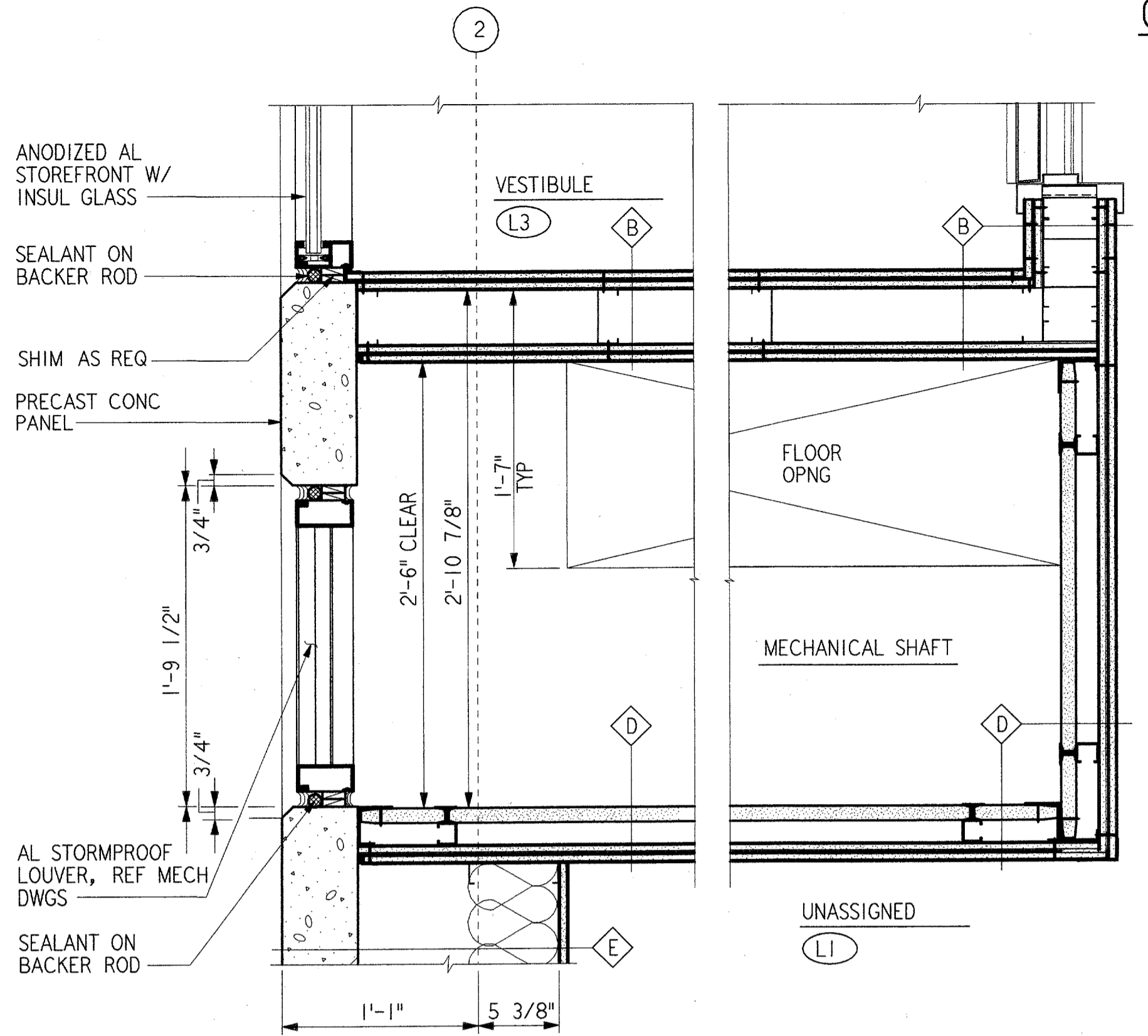
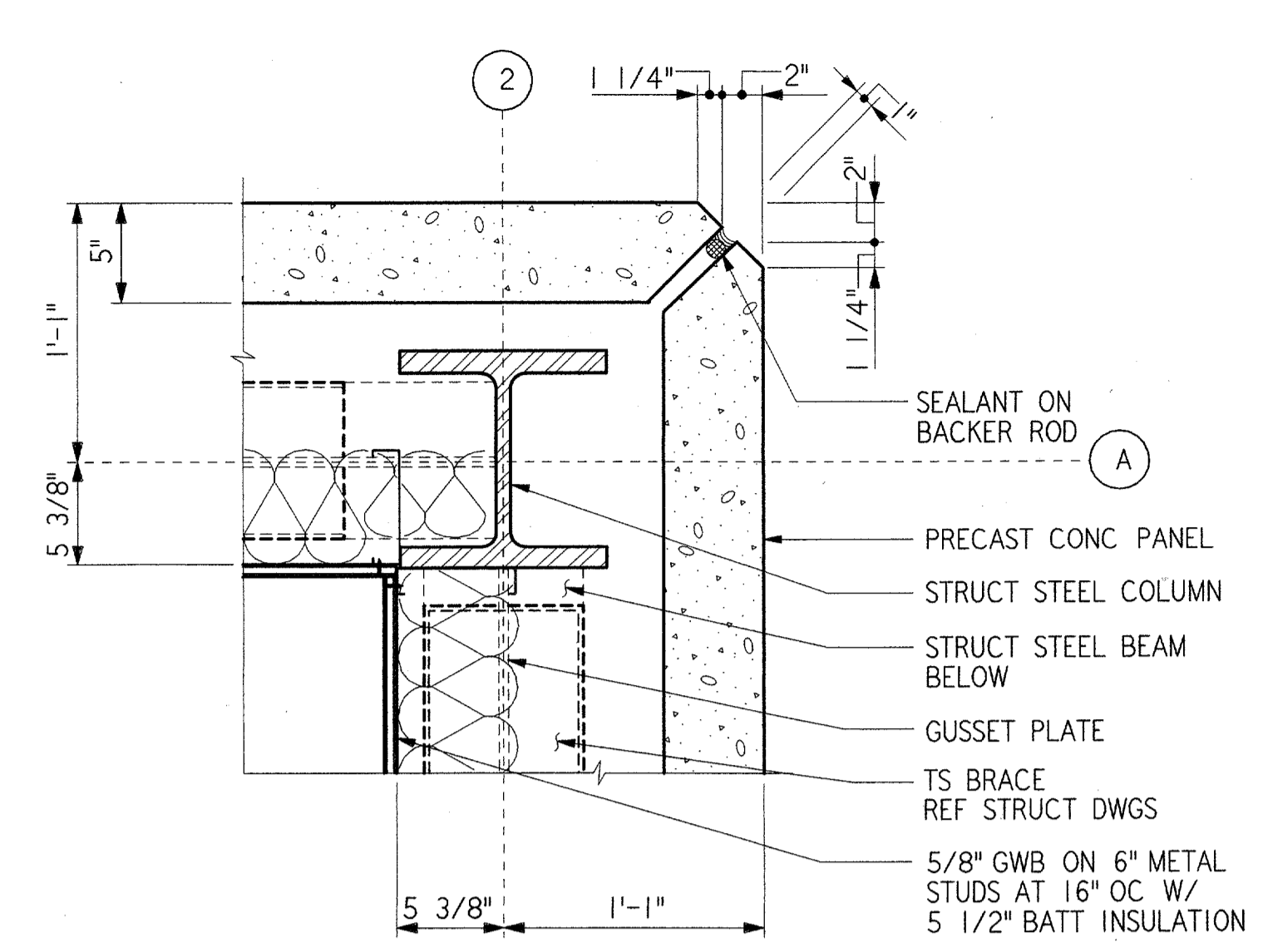
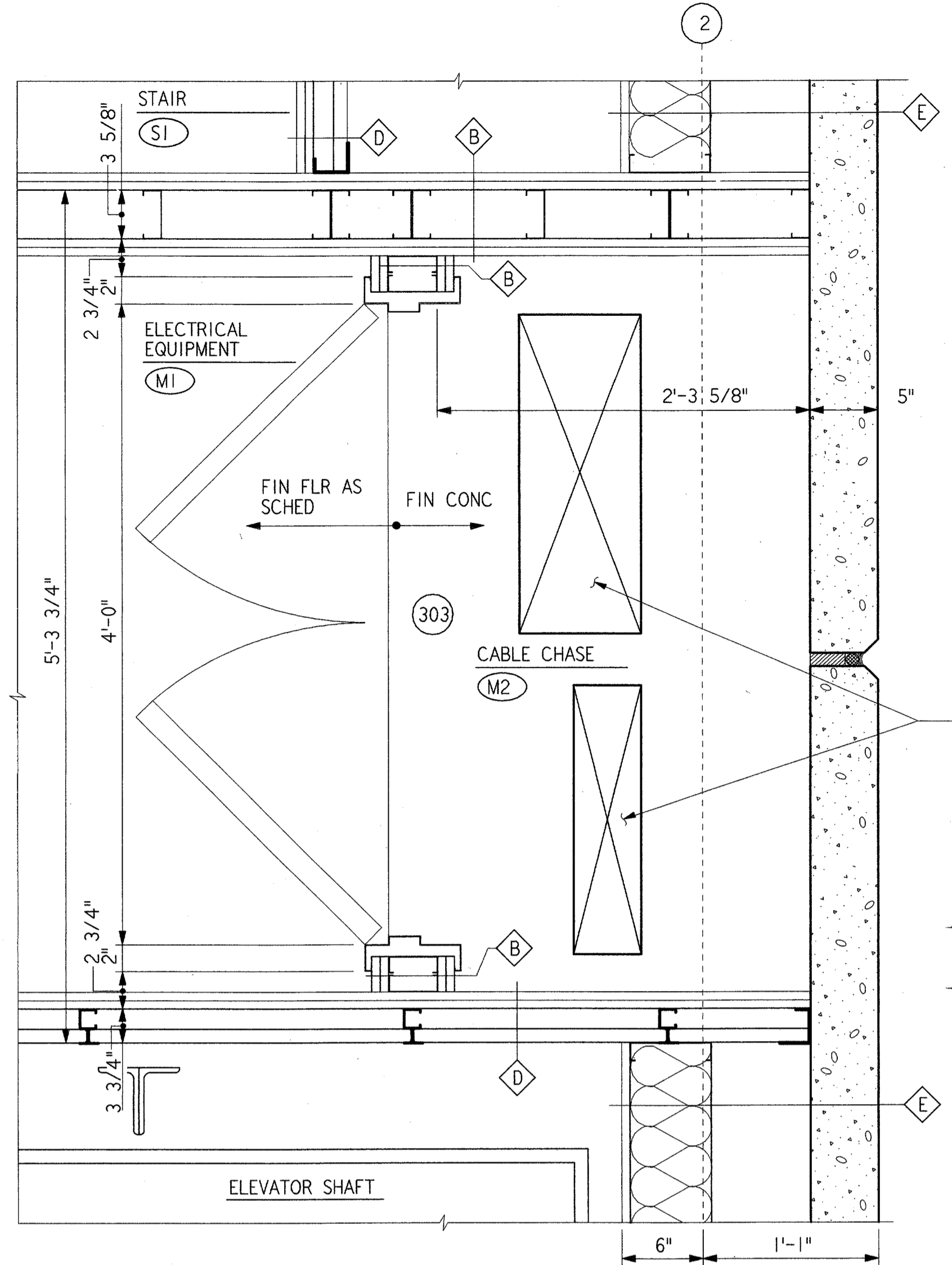


GENERAL NOTES:

- 1. ALL GYPSUM WALLBOARD SHALL BE TYPE "X" FIRE RATED



DALLAS, TX		DATE: 06-22-01 DRAWING NUMBER: ADS-ATCT- A35	

DEPARTMENT OF TRANSPORTATION FEDERAL AVIATION ADMINISTRATION SOUTHWEST REGION FORT WORTH, TEXAS			
LOW ACTIVITY LEVEL AIRPORT TRAFFIC CONTROL TOWER			
EXTERIOR DETAILS ATCT (ADDISON AIRPORT) TEXAS			
ADDISON SUBMITTED: <i>James Harper</i>	APPROVED: <i>Chris Call</i> SYSTEMS ENGINEER, ANI-640 MANAGER TERMINAL PLATFORM, ANI-640	ISSUED BY: AIRWAY FACILITIES DIVISION DATE: 06-22-01 DRAWING NUMBER: ADS-ATCT- A35	
DESIGNED: GARY WILLIAMS REVIEWED: A. AMBARDEKAR ORIG. DFT.: S. RAJPREEJA FACILITY:			