

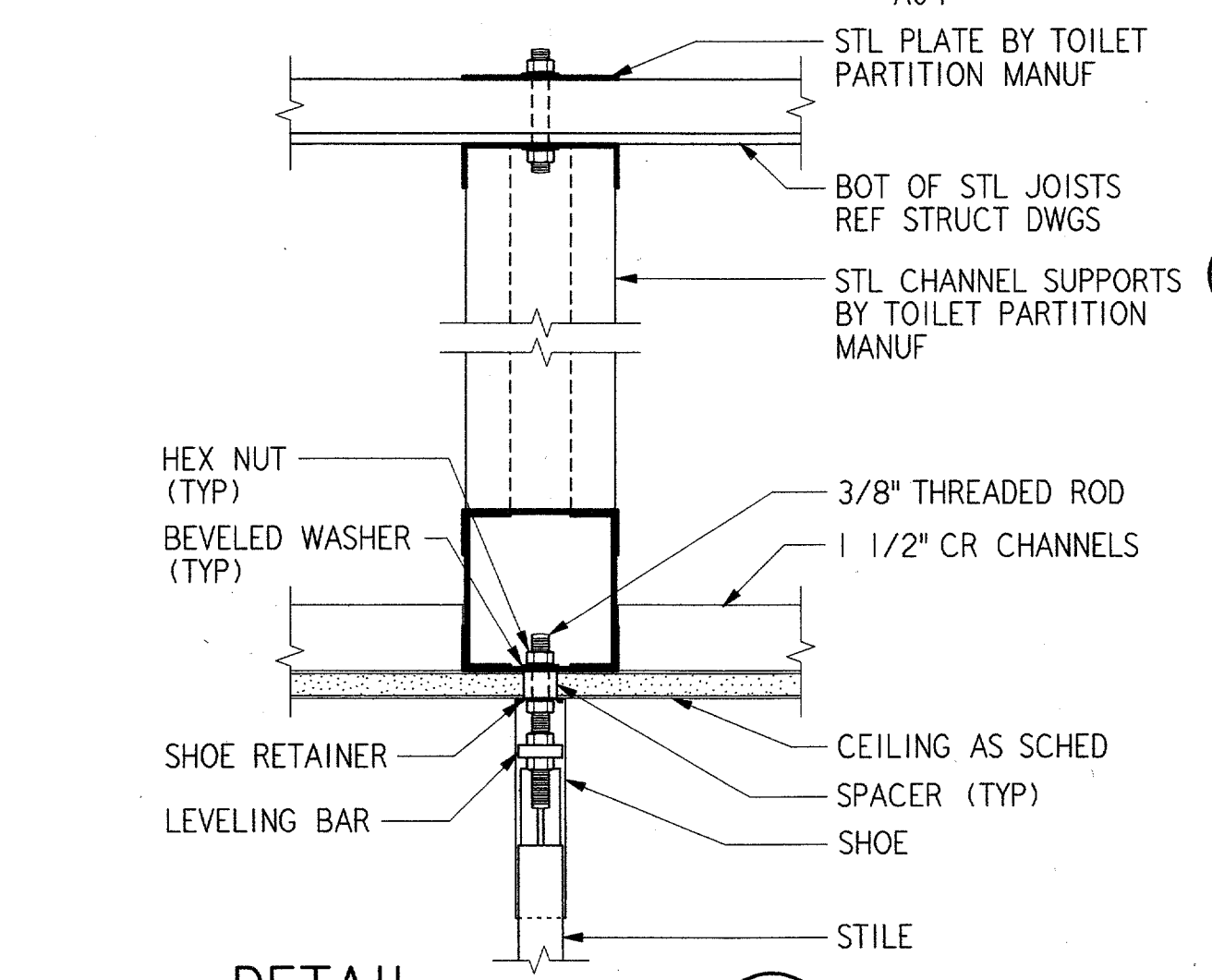
DETAIL 1 REF A38 A02 A03 A04

DETAIL 2 REF A38 A16 A28

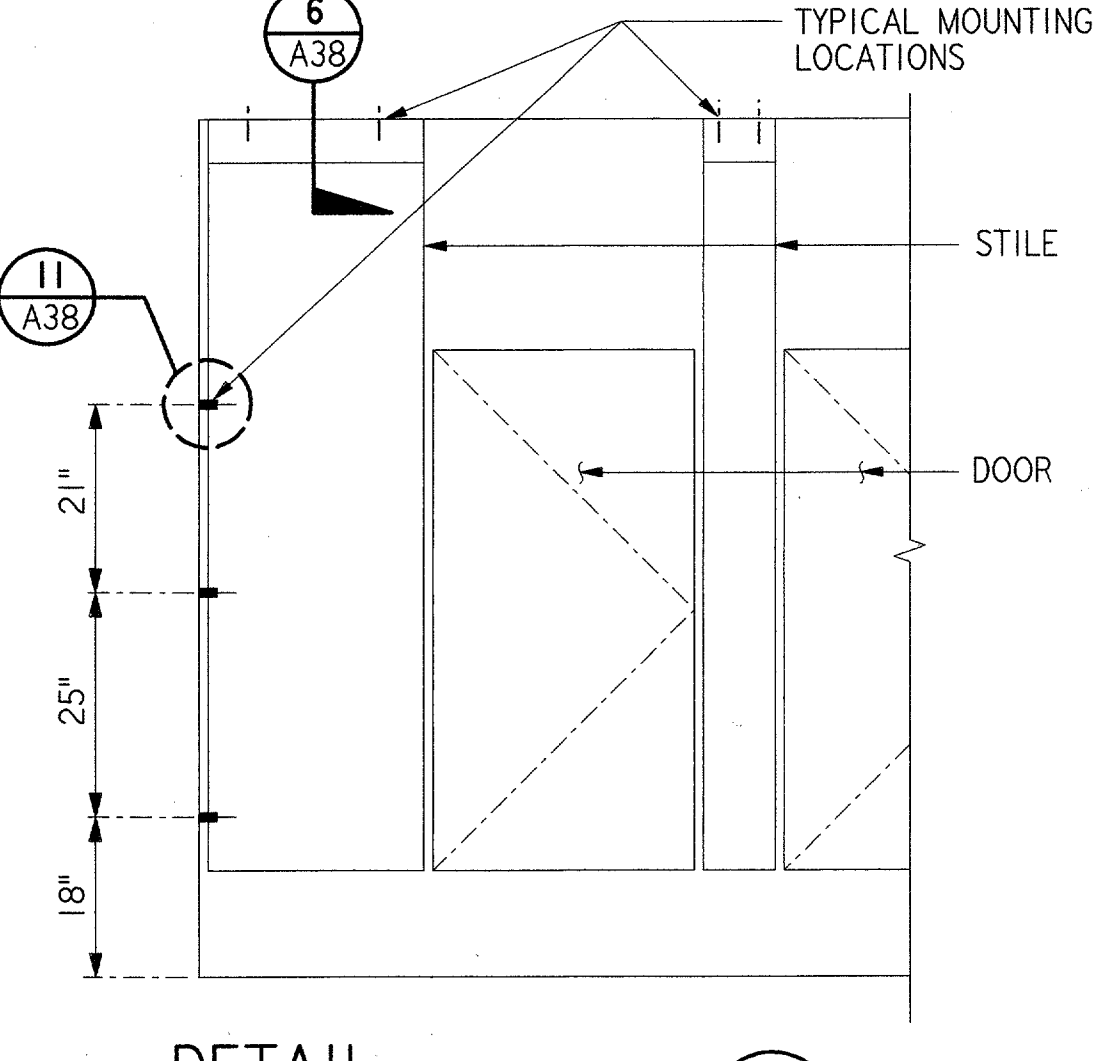
DETAIL 3 REF A38 A16

DETAIL 4 REF A38 A12 A16

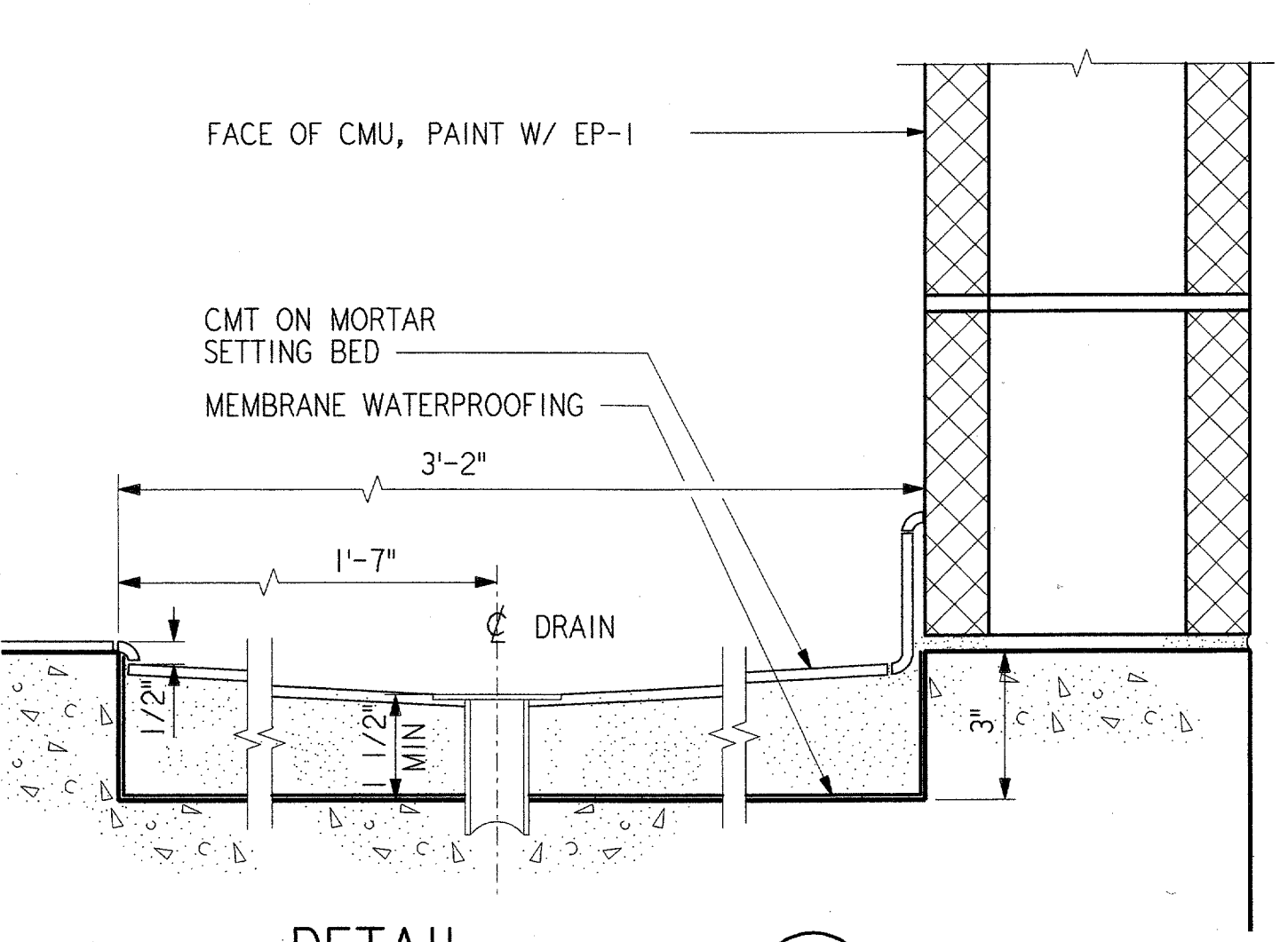
DETAIL 5 REF A38 A16



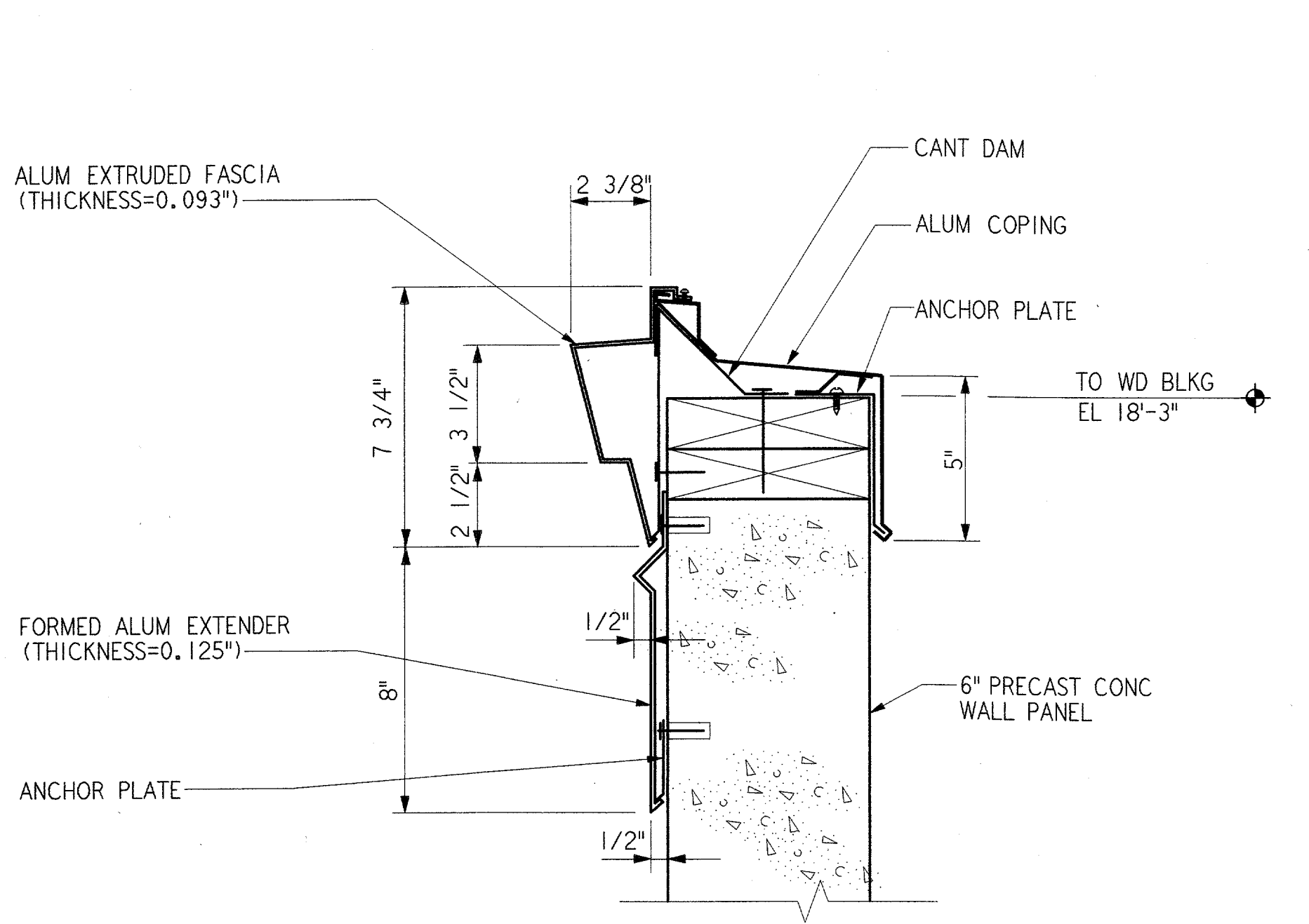
DETAIL 6 REF A38



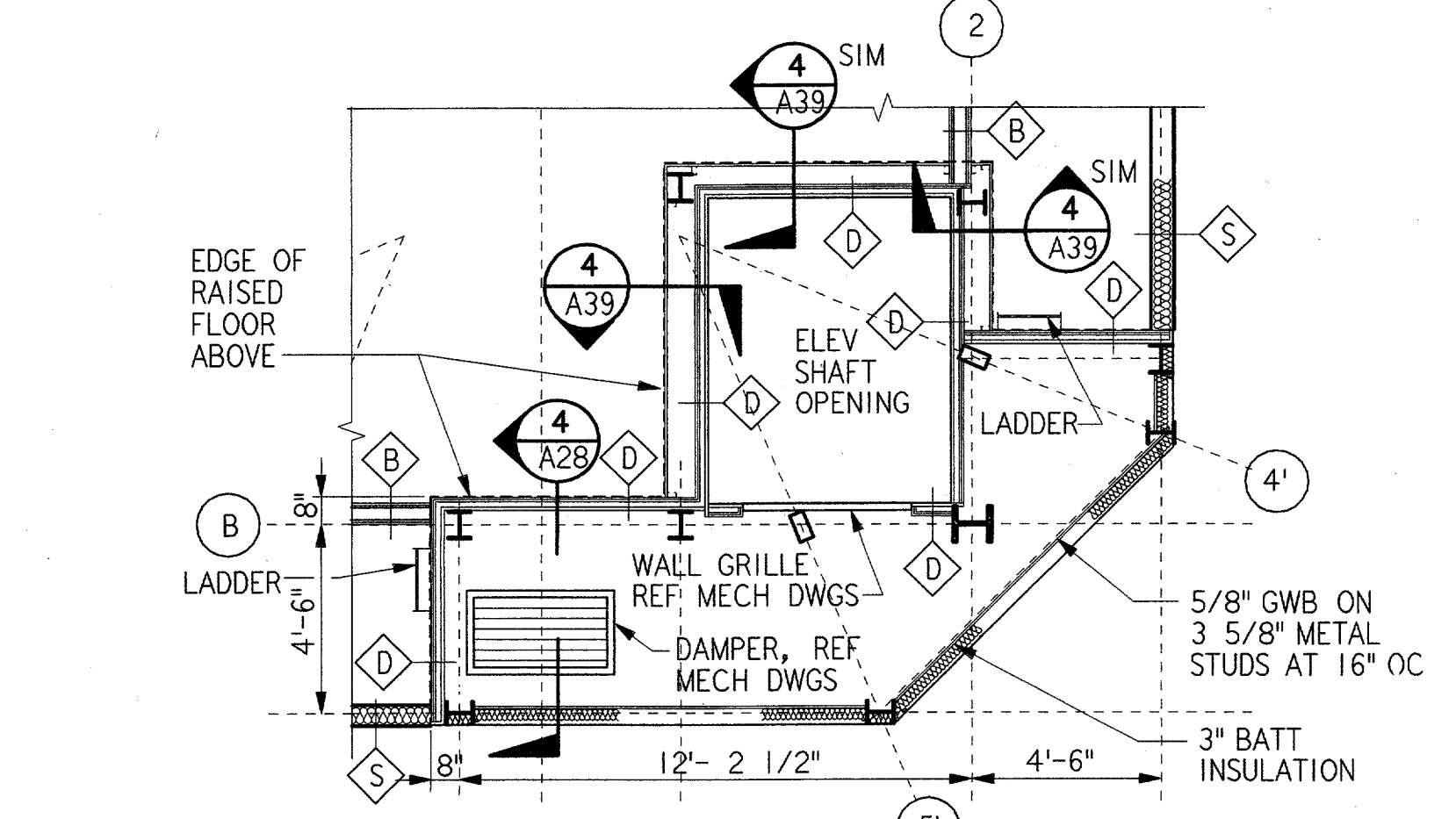
DETAIL 7 REF A38 A26



DETAIL 8 REF A38 A26

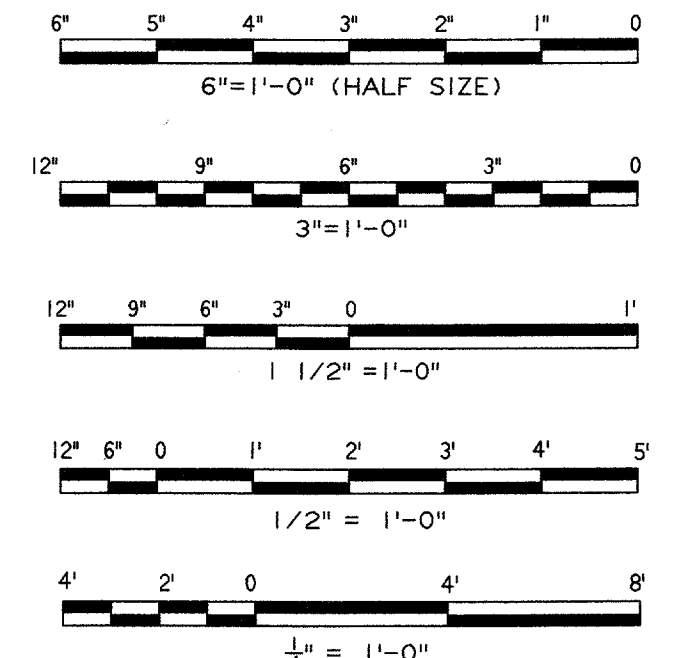


DETAIL 9 REF A38 A30



PLAN UNDER RAISED FLOOR AT ELEVATOR SHAFT REF A38 A03

DETAIL 11 REF A38



REV. DATE DESCRIPTION DFTG. CHECKED

DESIGNED BY GARY WILLIAMS
 REVIEWED BY A. AMBARDEKAR
 ORIG. DFT. E. DANE
 FACILITY:

APPROVED BY
 James C. Harper
 6/22/01

REGISTERED ARCHITECT
 JAMES C. HARPER
 16725
 STATE OF TEXAS

PARSONS
 DALLAS, TX

DEPARTMENT OF TRANSPORTATION
 FEDERAL AVIATION ADMINISTRATION
 SOUTHWEST REGION FORT WORTH, TEXAS

LOW ACTIVITY LEVEL
 AIRPORT TRAFFIC CONTROL TOWER

MISCELLANEOUS DETAILS
 BASE-EG BUILDING

ADDISON (ADDISON AIRPORT) TEXAS

DESIGNED BY GARY WILLIAMS
 REVIEWED BY A. AMBARDEKAR
 ORIG. DFT. E. DANE
 FACILITY:

ISSUED BY
 AIRWAY FACILITIES DIVISION

DATE: 06-22-01
 DRAWING NUMBER:
 ADS-ATCT- A38