

8

7

6

5

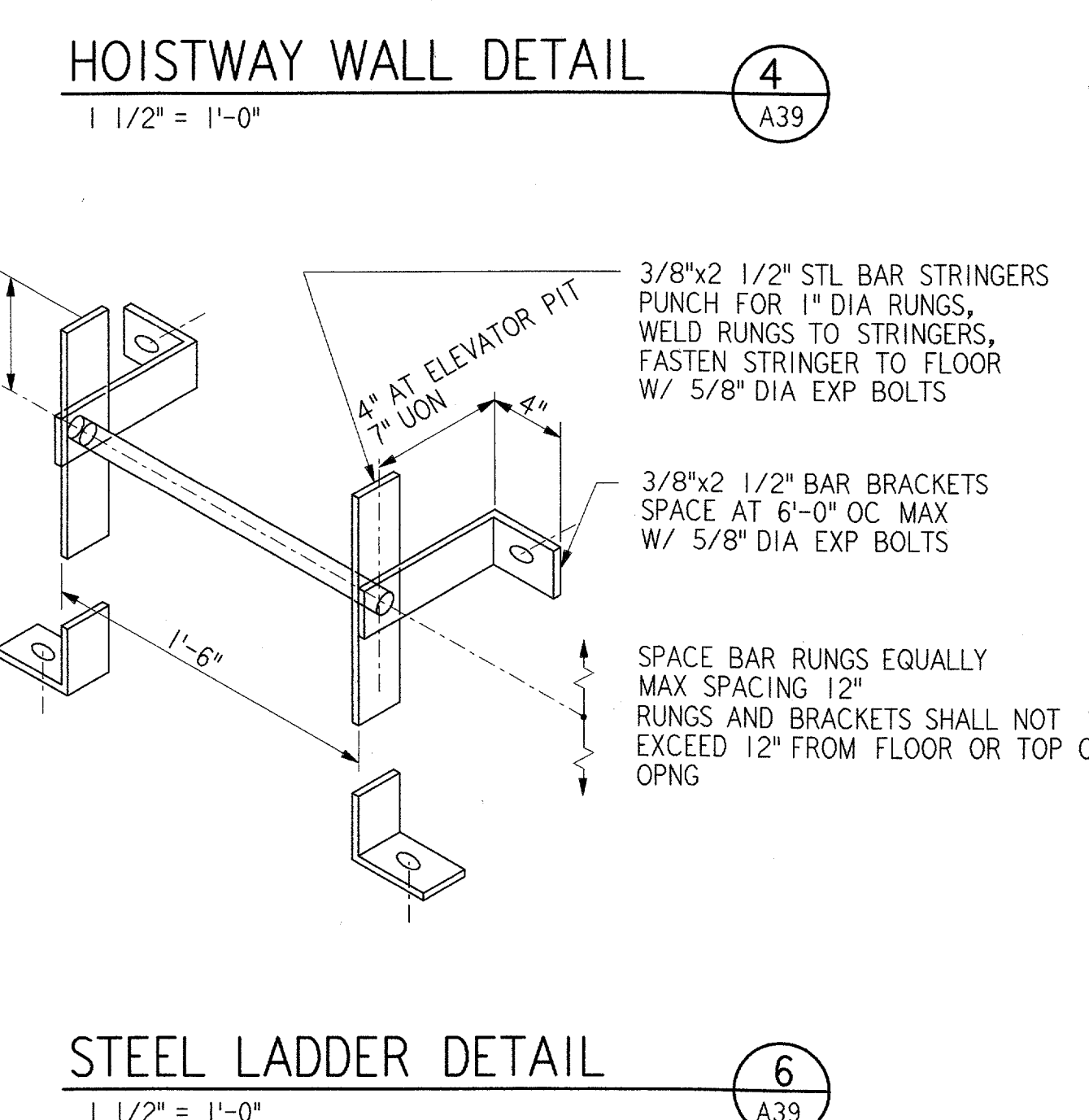
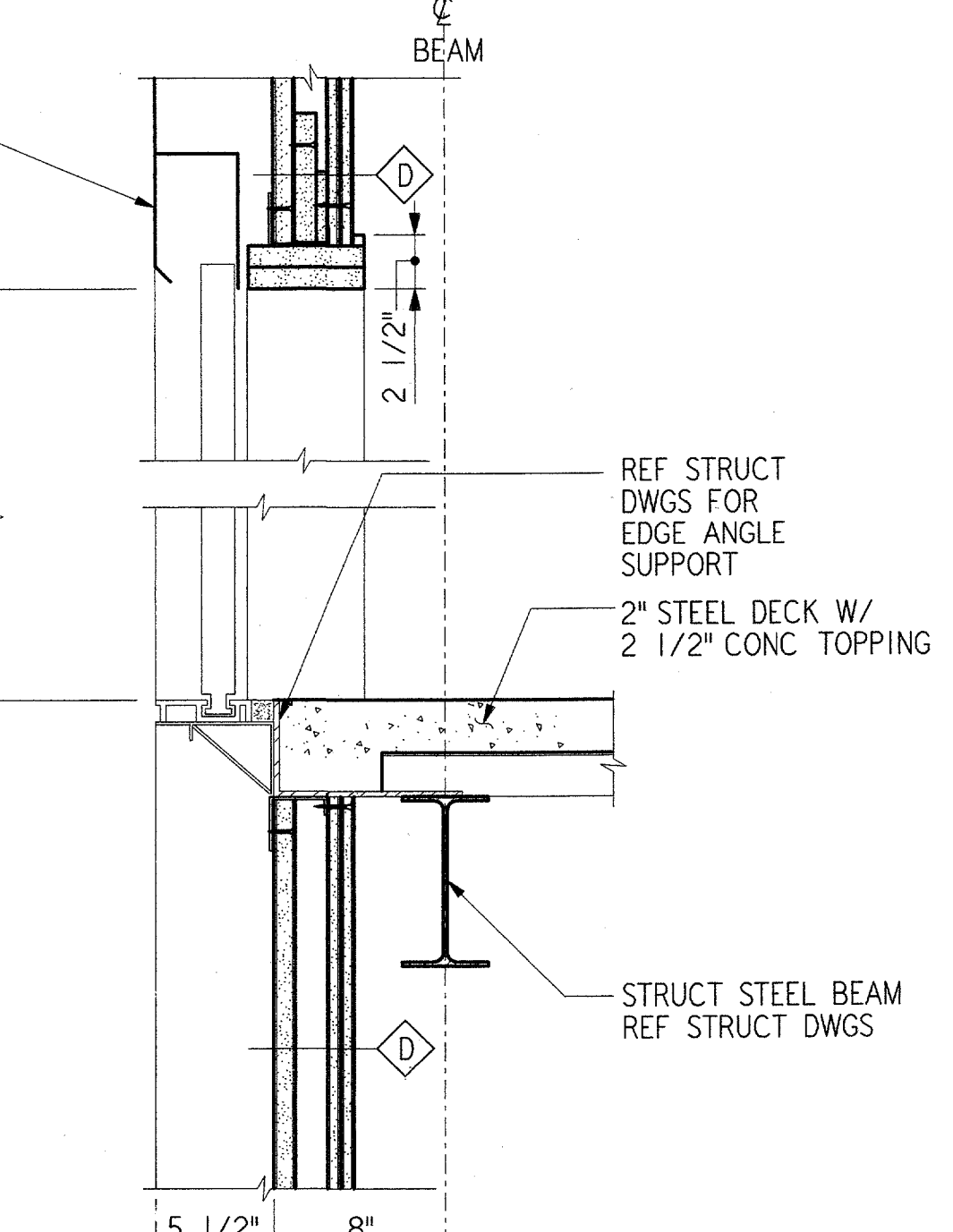
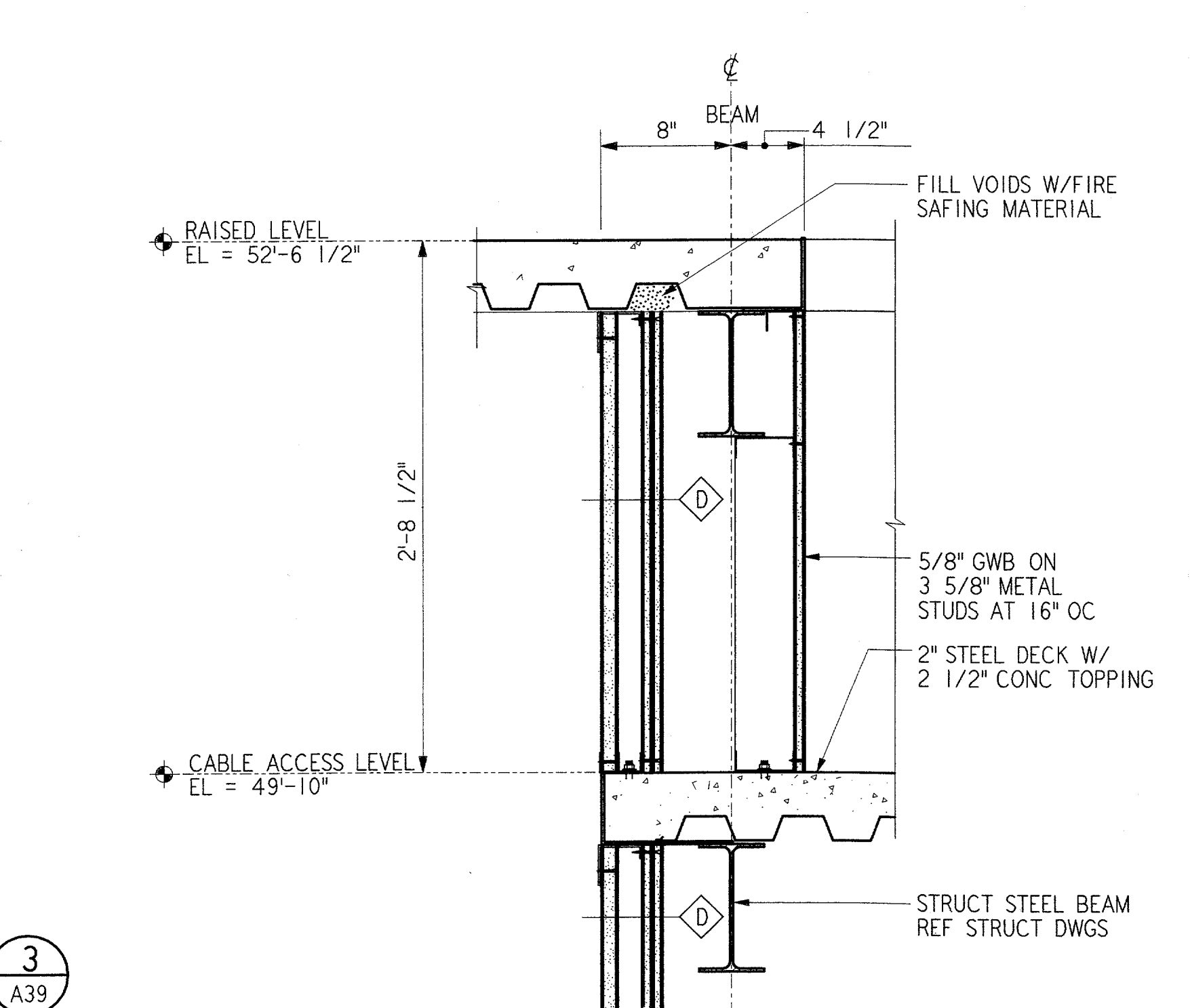
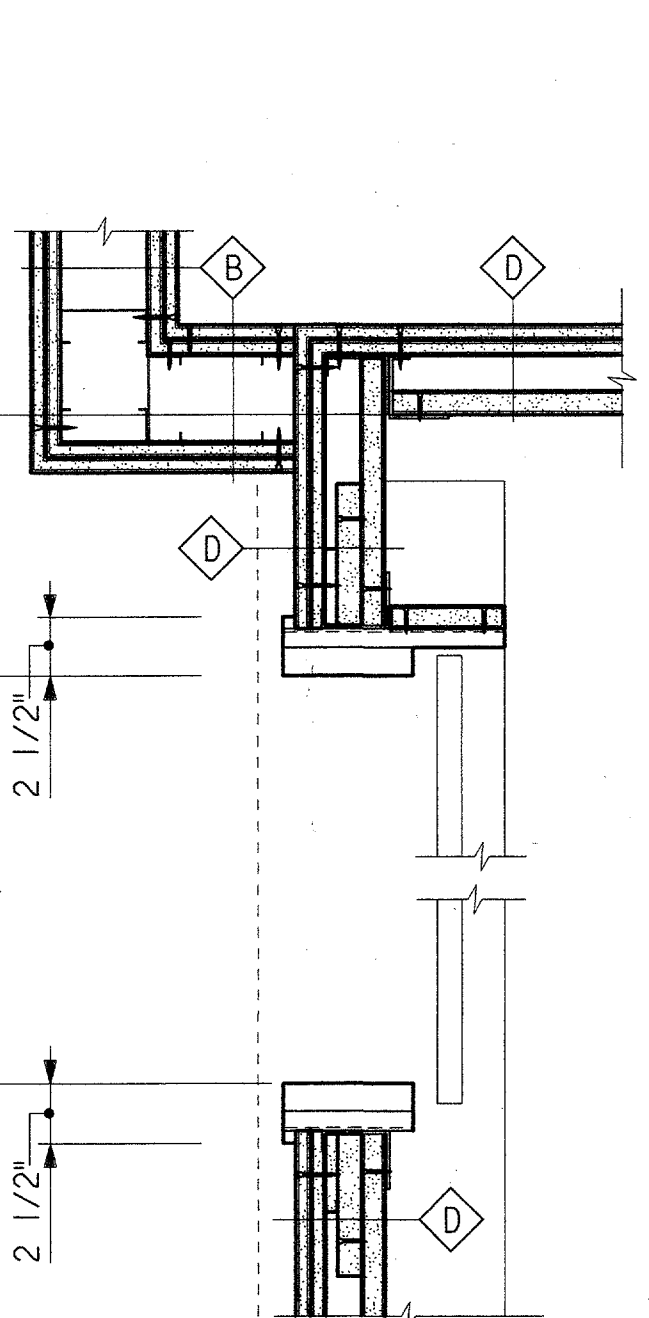
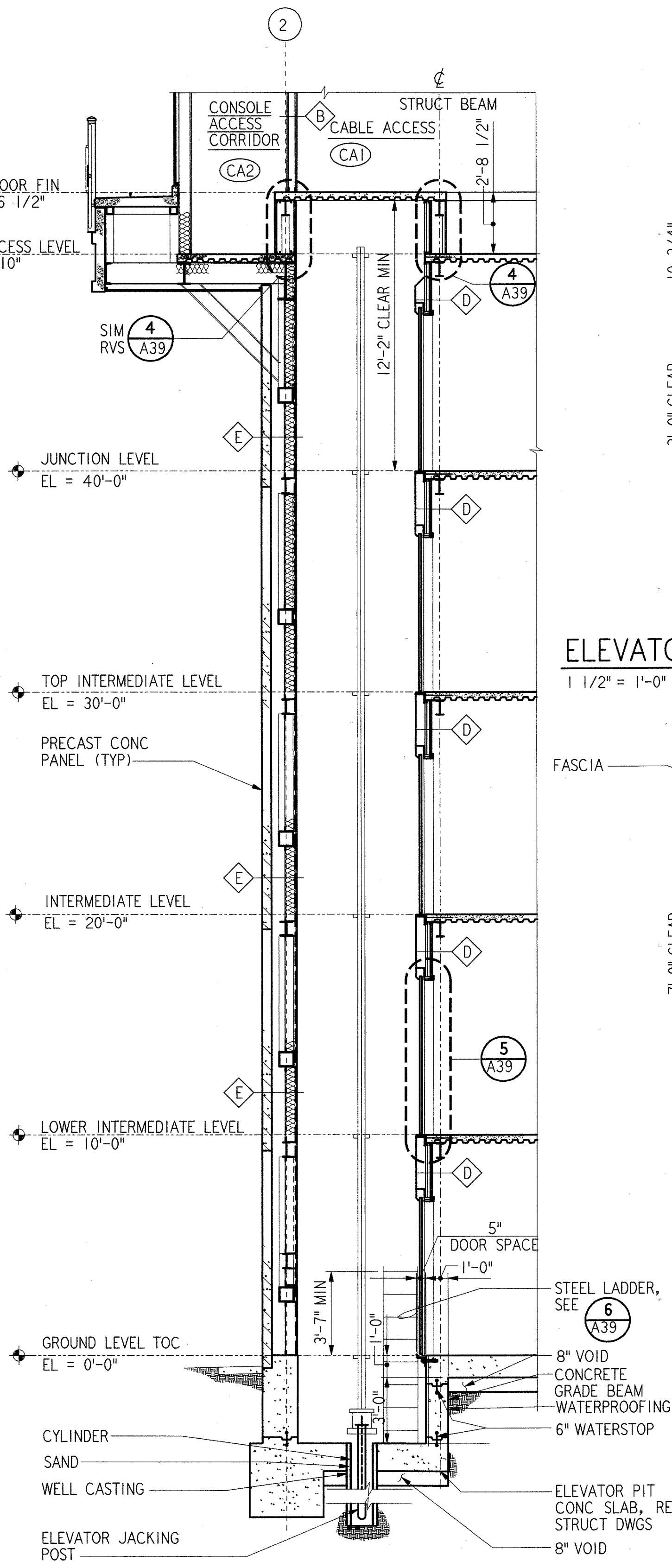
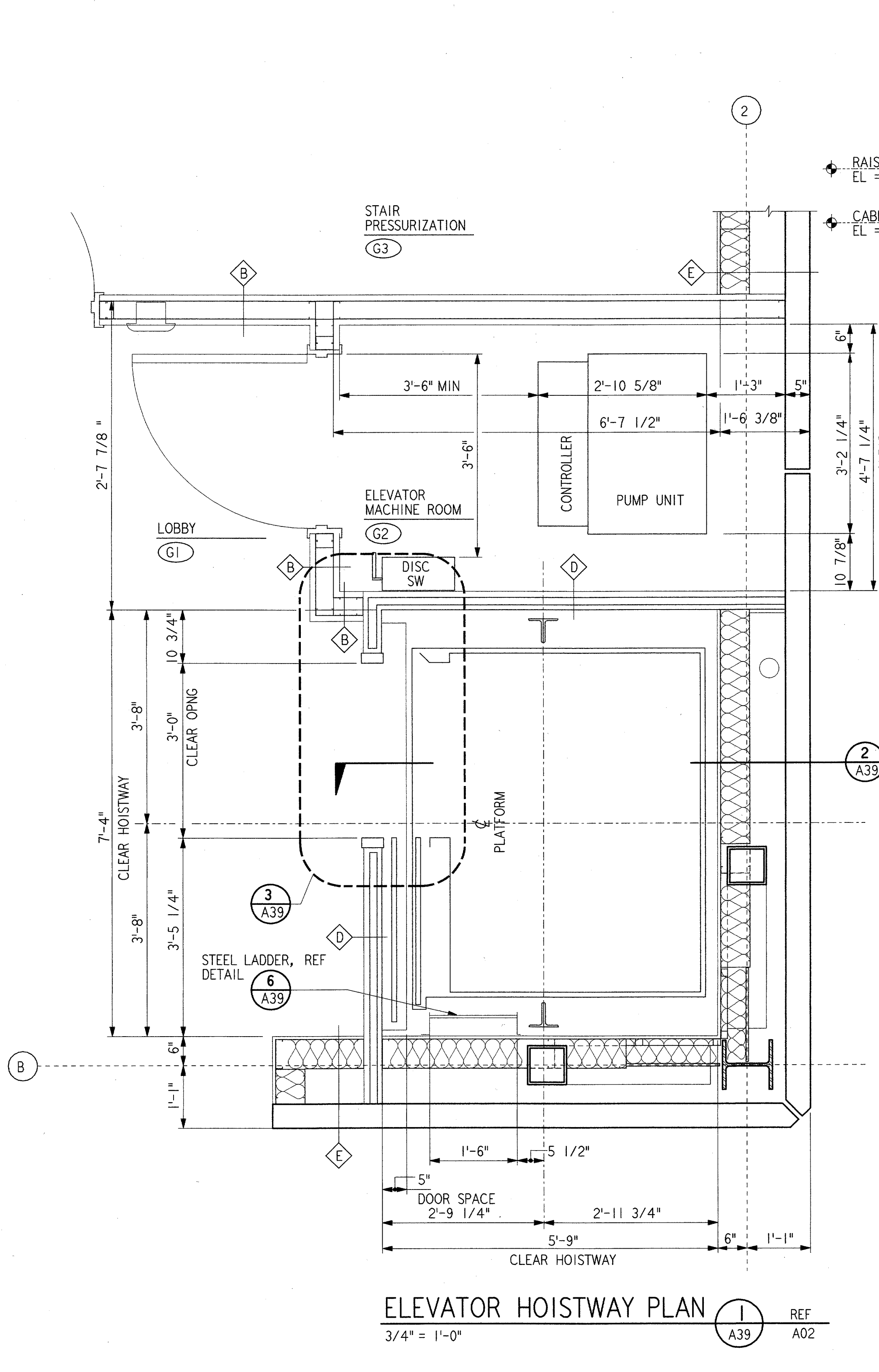
4

3

2

1

H  
G  
F  
E  
D  
C  
B  
A



**REV. DATE DESCRIPTION DTG. CHECKED**

|  |  |  |  |  |
|--|--|--|--|--|
|  |  |  |  |  |
|  |  |  |  |  |

James E. Harper  
 REGISTERED ARCHITECT  
 STATE OF TEXAS  
 18725  
 6/22/01

**PARSONS**  
 DALLAS, TX

DEPARTMENT OF TRANSPORTATION  
 FEDERAL AVIATION ADMINISTRATION  
 SOUTHWEST REGION FORT WORTH, TEXAS  
 LOW ACTIVITY LEVEL  
 AIRPORT TRAFFIC CONTROL TOWER

**ELEVATOR DETAILS ATCT**

ADDISON (ADDISON AIRPORT) TEXAS

DESIGNED: GARY WILLIAMS  
 REVIEWED: A. AMBARDEKAR  
 ORIG. DFT.: S. RAJPREEJA  
 FACILITY:

ISSUED BY  
 AIRWAY FACILITIES DIVISION

DATE: 06-22-01  
 DRAWING NUMBER:  
 ADS-ATCT- A39

A39

FILENAME: ADSA039.DTT

REF. DWG. :