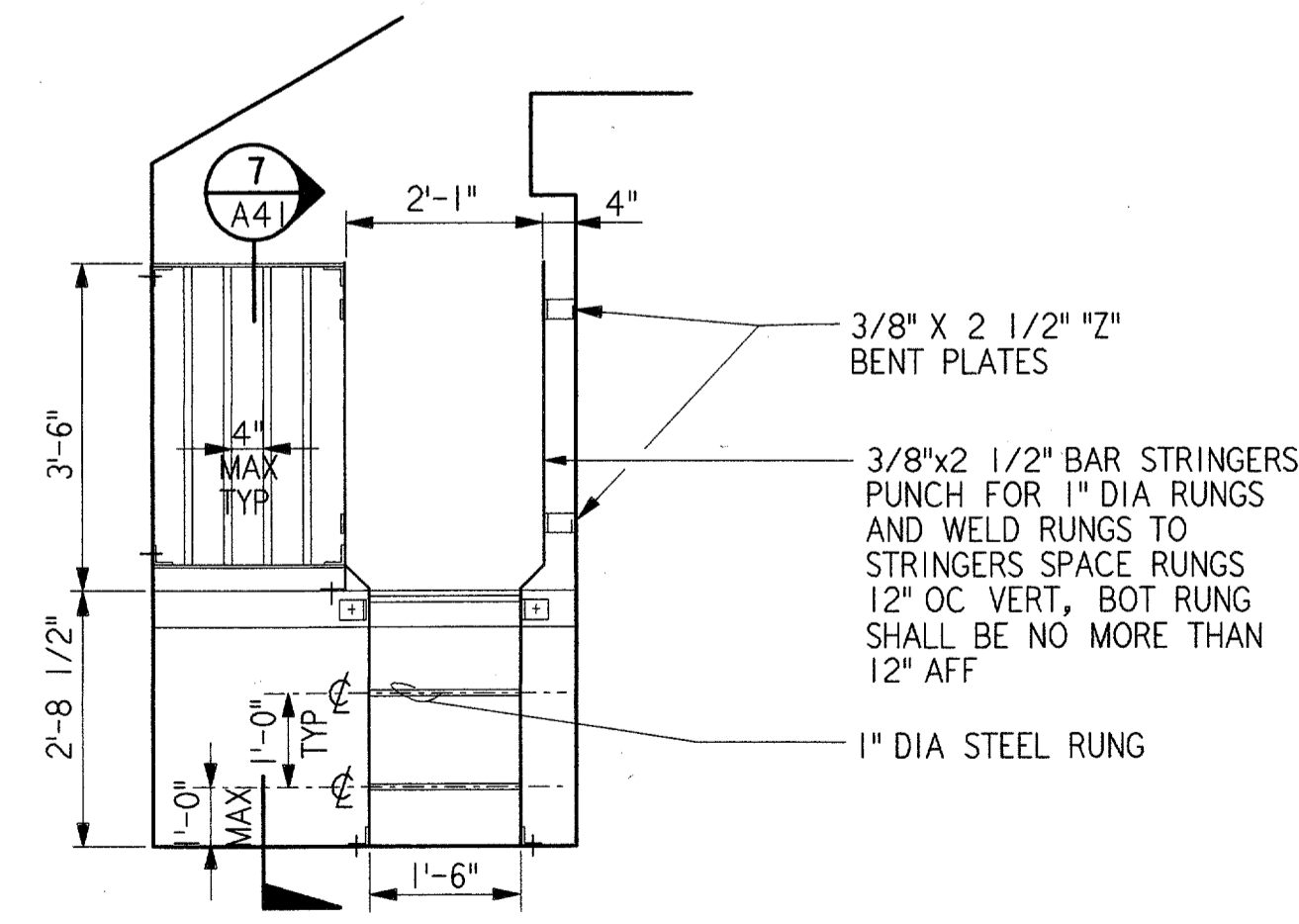
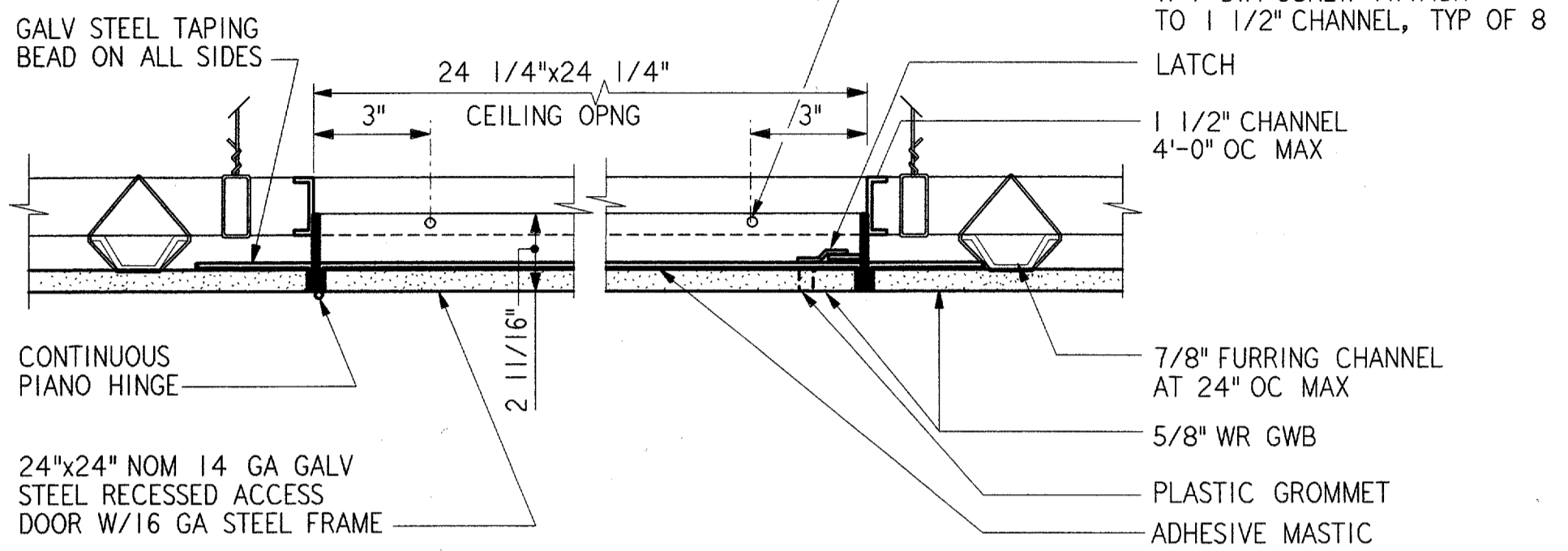


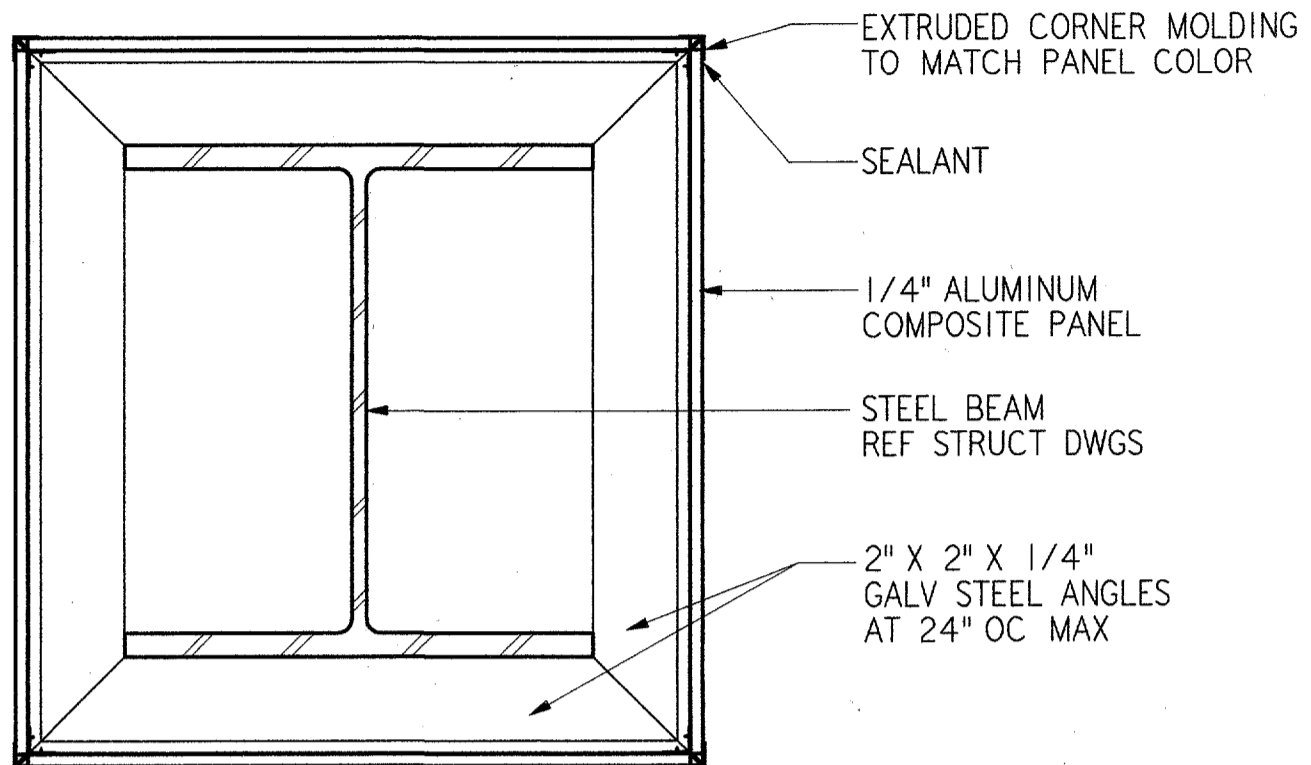
**WALKWAY HANDRAIL SECTION 1**  
 1 1/2" = 1'-0" REF A13



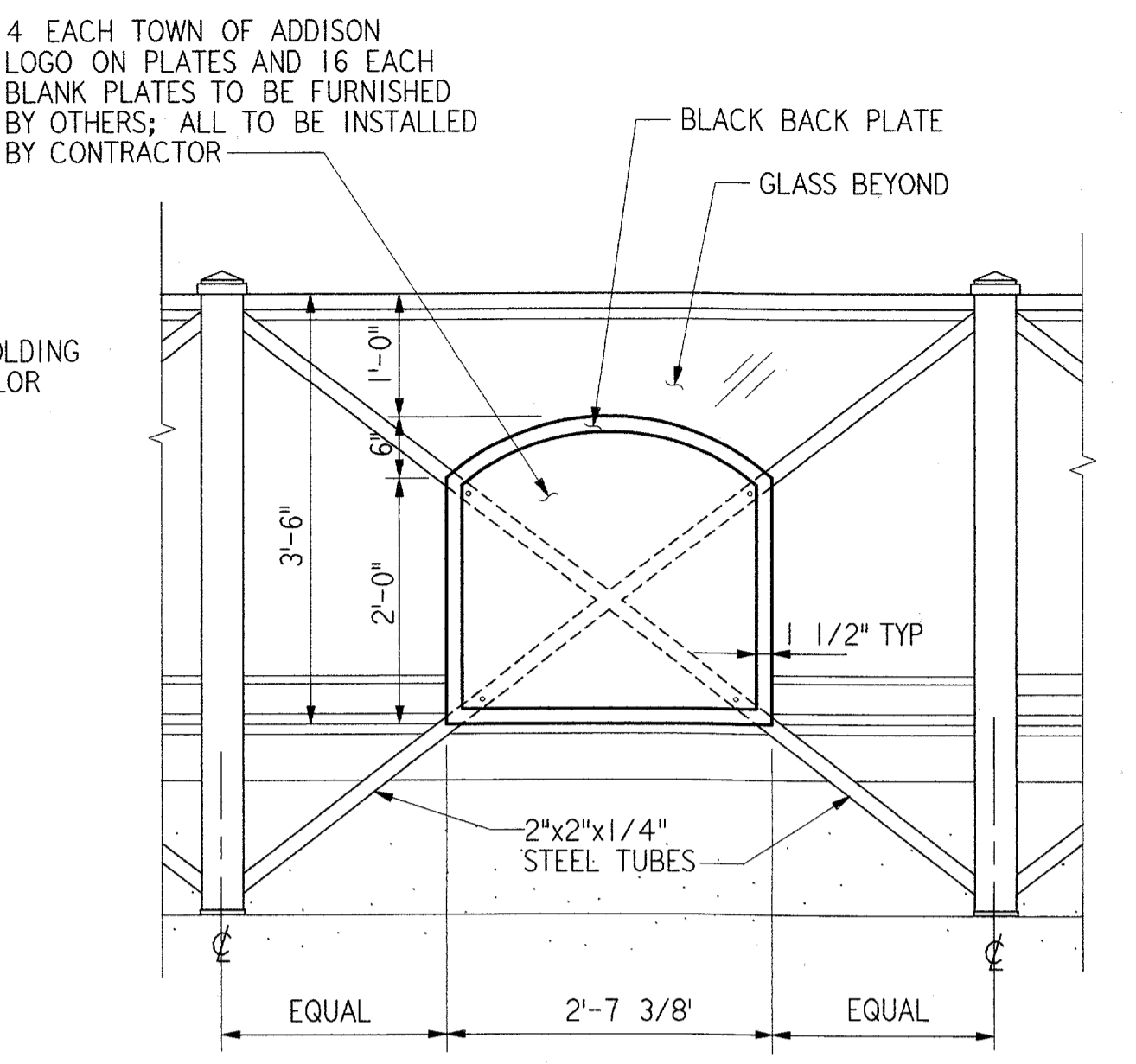
**LADDER ELEVATION 6**  
 1/2" = 1'-0" REF A41



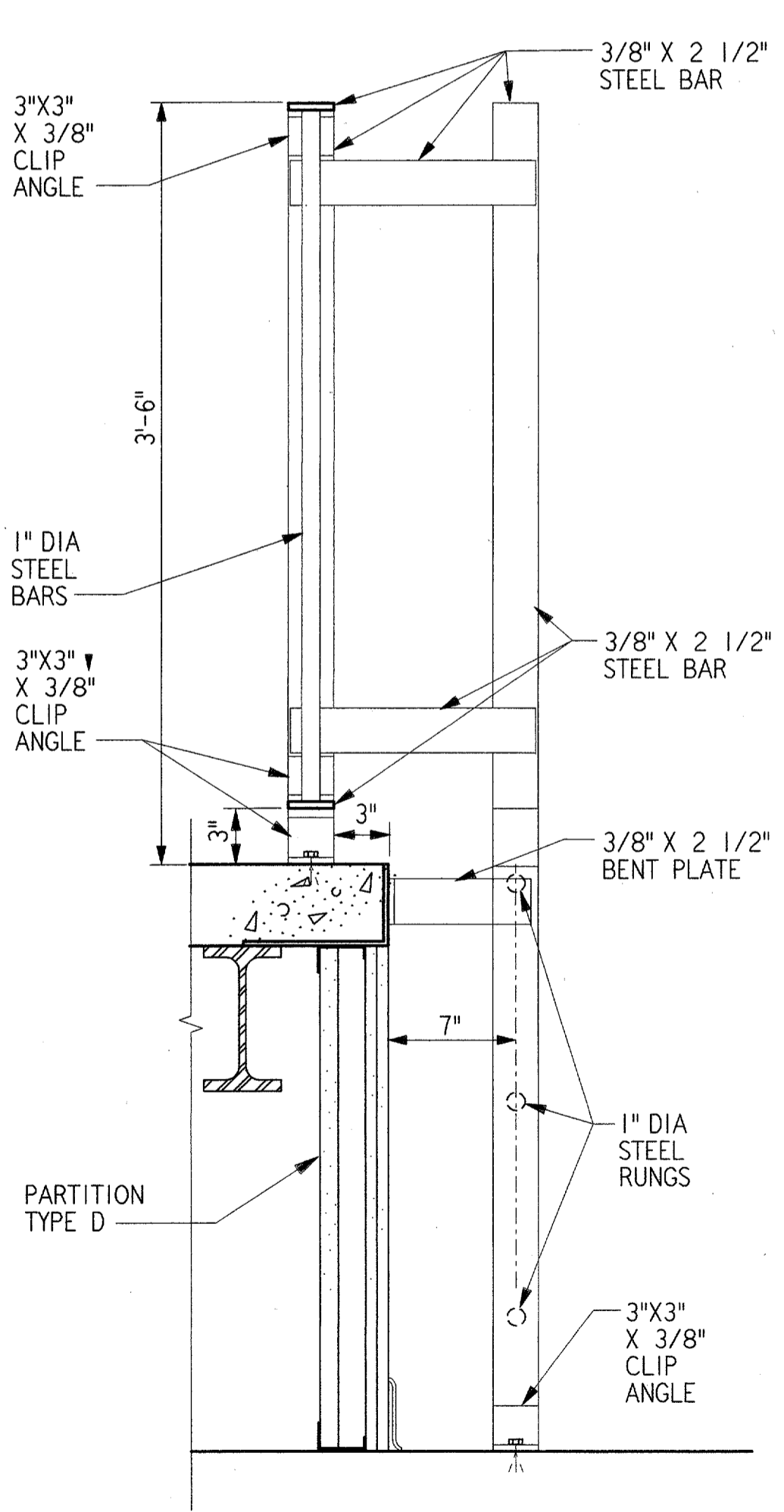
**RECESSED ACCESS PANEL DETAIL 3**  
 3" = 1'-0" REF A16



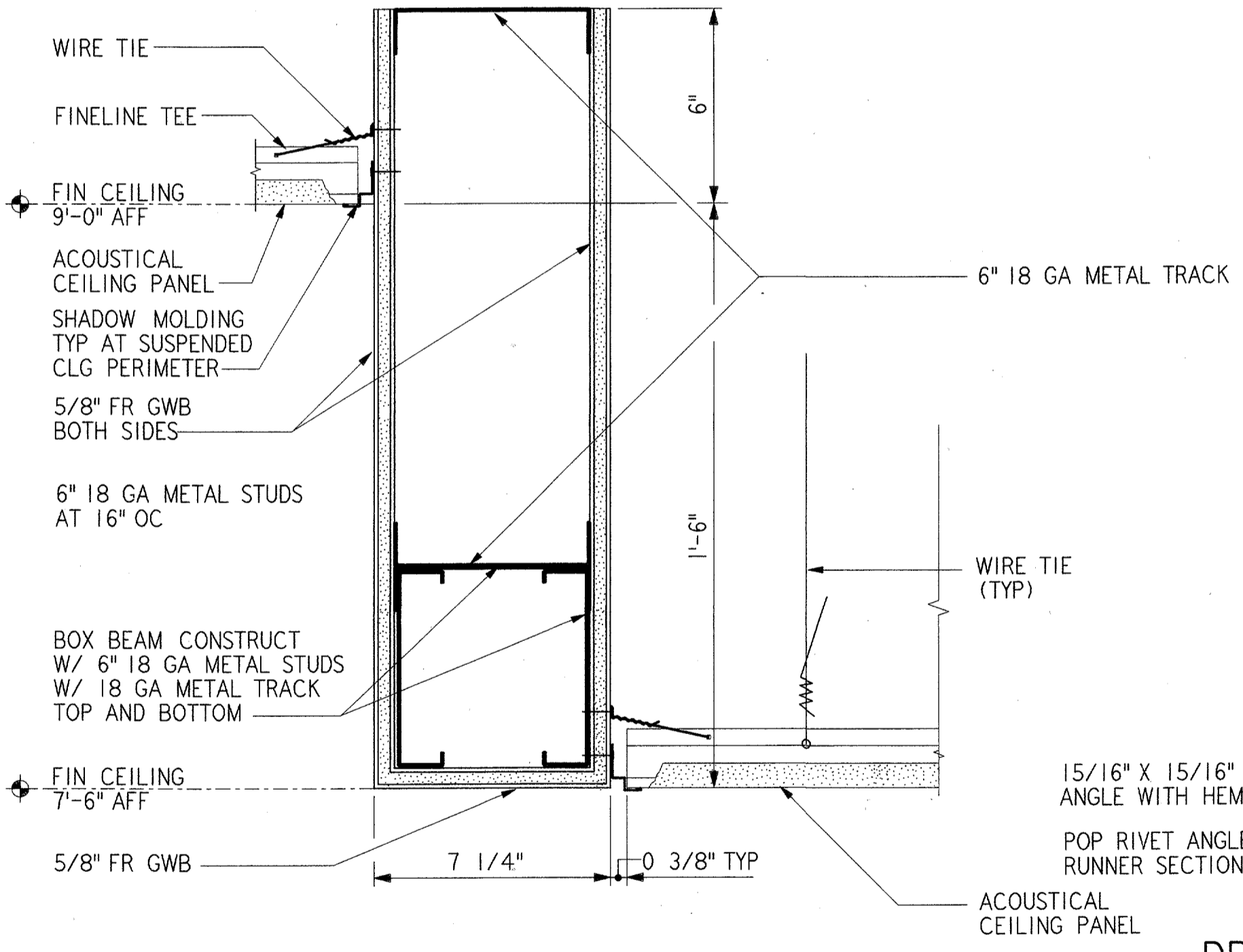
**SECTION 2**  
 3" = 1'-0" REF A28



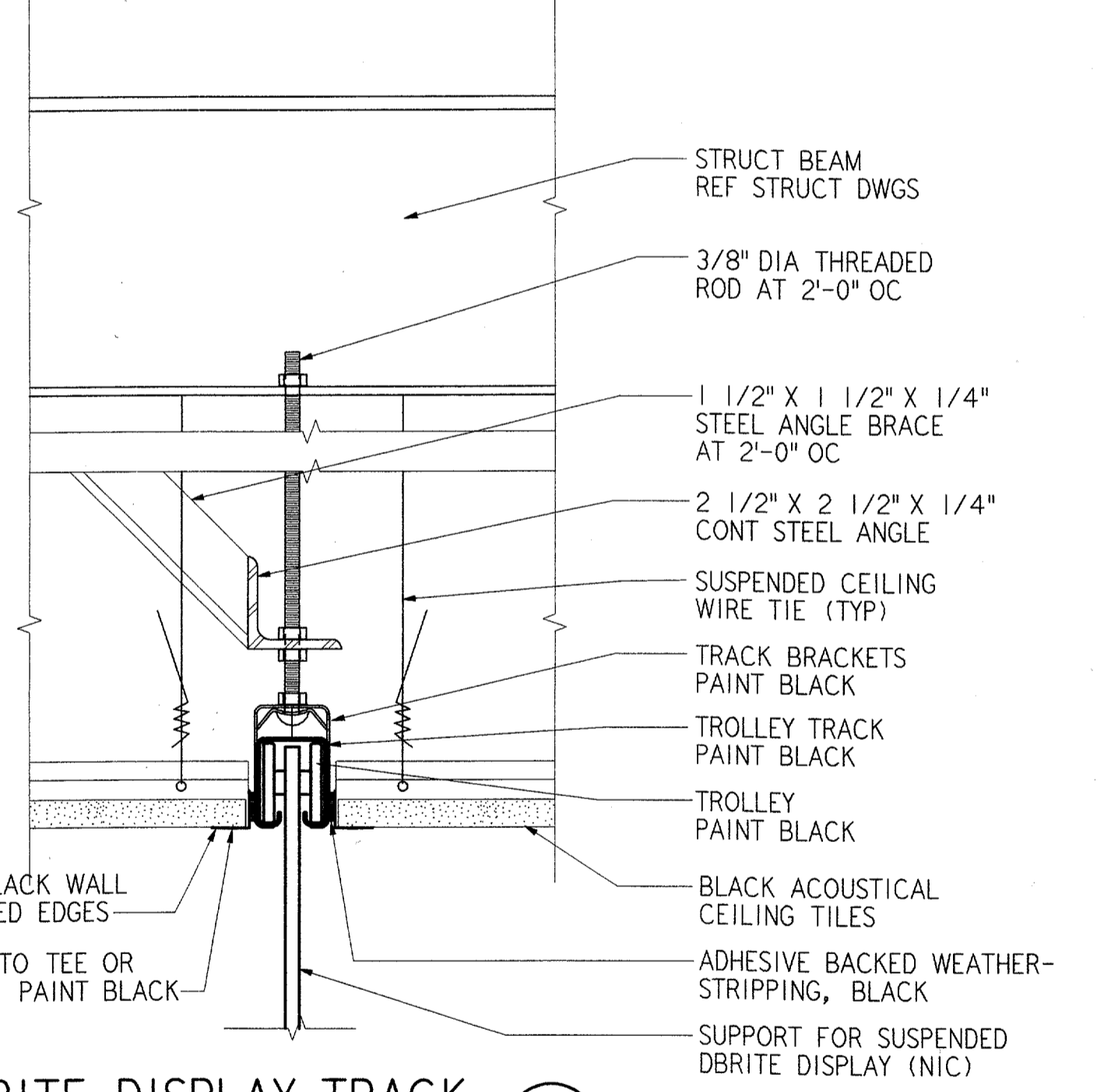
**ELEVATION 8**  
 3/4" = 1'-0" REF A07



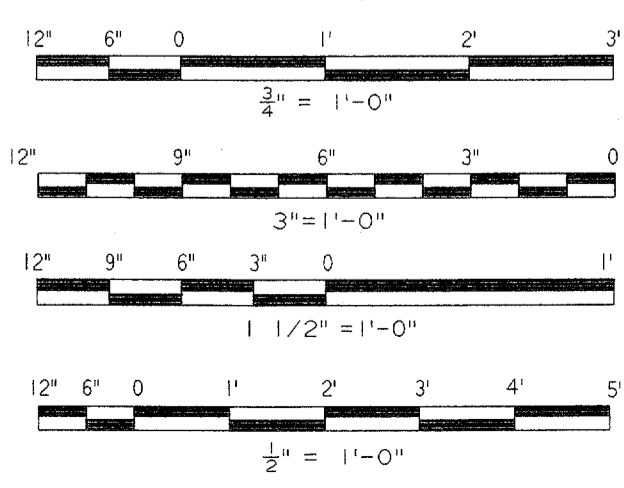
**RAILING/LADDER SECTION 7**  
 1 1/2" = 1'-0" REF A41



**SOFFIT DETAIL 4**  
 3" = 1'-0" REF A16



**DBRITE DISPLAY TRACK 5**  
 3" = 1'-0" REF A15



REV. DATE DESCRIPTION DTG. CHECKED

DESIGNED: GARY WILLIAMS  
 REVIEWED: A. AMBARDEKAR  
 ORG. DFT.: S. RAJPREE-JA  
 FACILITY:

ISSUED BY  
**AIRWAY FACILITIES DIVISION**

DATE: 06-22-01  
 DRAWING NUMBER  
**ADS-ATCT- A41**

DESIGNED BY  
*James C. Harper*  
 6/22/01

REGISTERED ARCHITECT  
 JAMES E. HARPER  
 18725  
 STATE OF TEXAS

**PARSONS**  
 DALLAS, TX

DEPARTMENT OF TRANSPORTATION  
 FEDERAL AVIATION ADMINISTRATION  
 SOUTHWEST REGION FORT WORTH, TEXAS

LOW ACTIVITY LEVEL  
 AIRPORT TRAFFIC CONTROL TOWER

MISCELLANEOUS DETAILS  
 ATCT

ADDISON (ADDISON AIRPORT) TEXAS

DESIGNED BY  
*James C. Harper*  
 SYSTEMS ENGINEER, ANI-640

APPROVED BY  
*Chad R. Ball*  
 MANAGER TERMINAL PLATFORM, ANI-640

FILENAME: ADS1A041.DTT