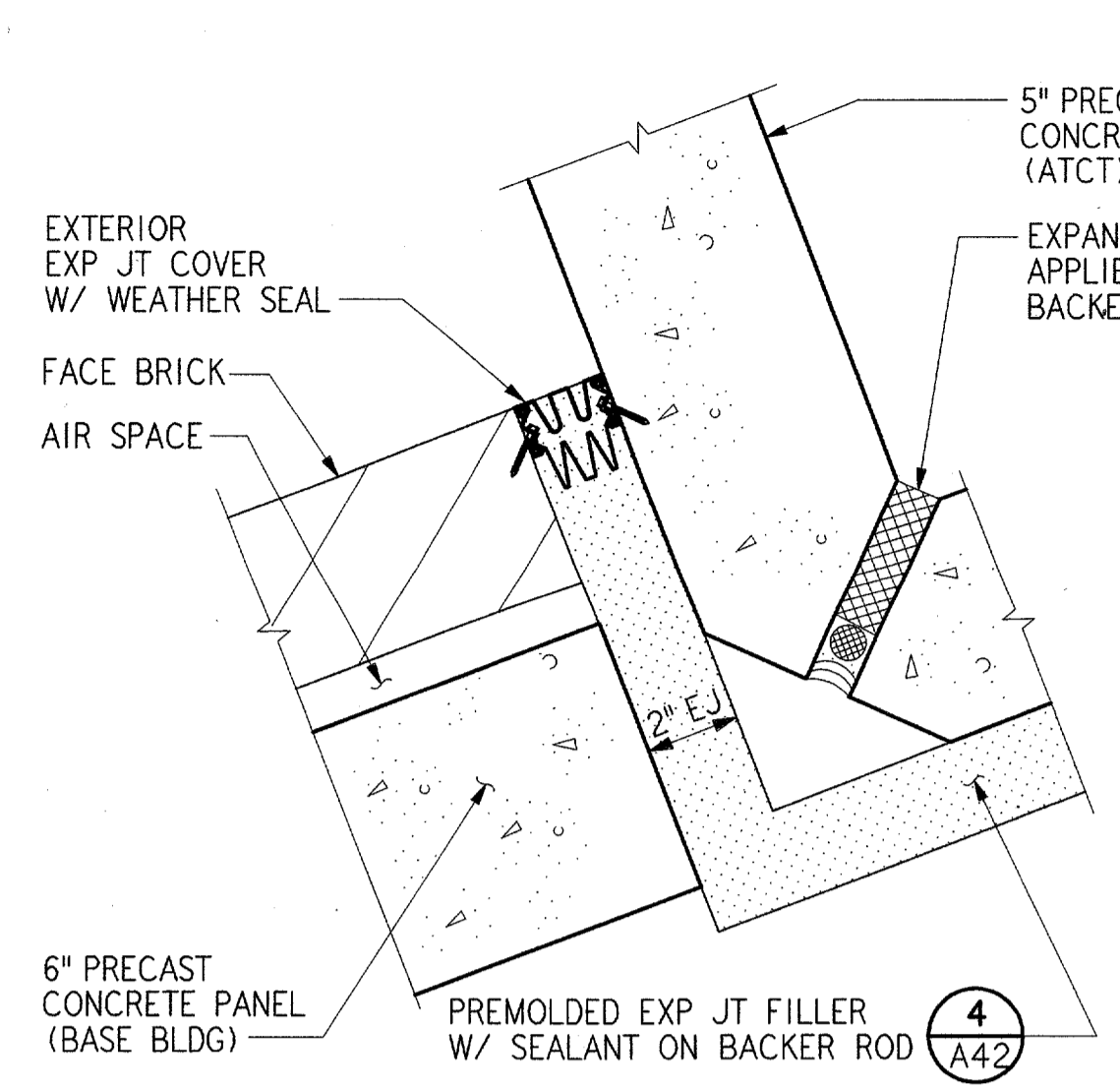
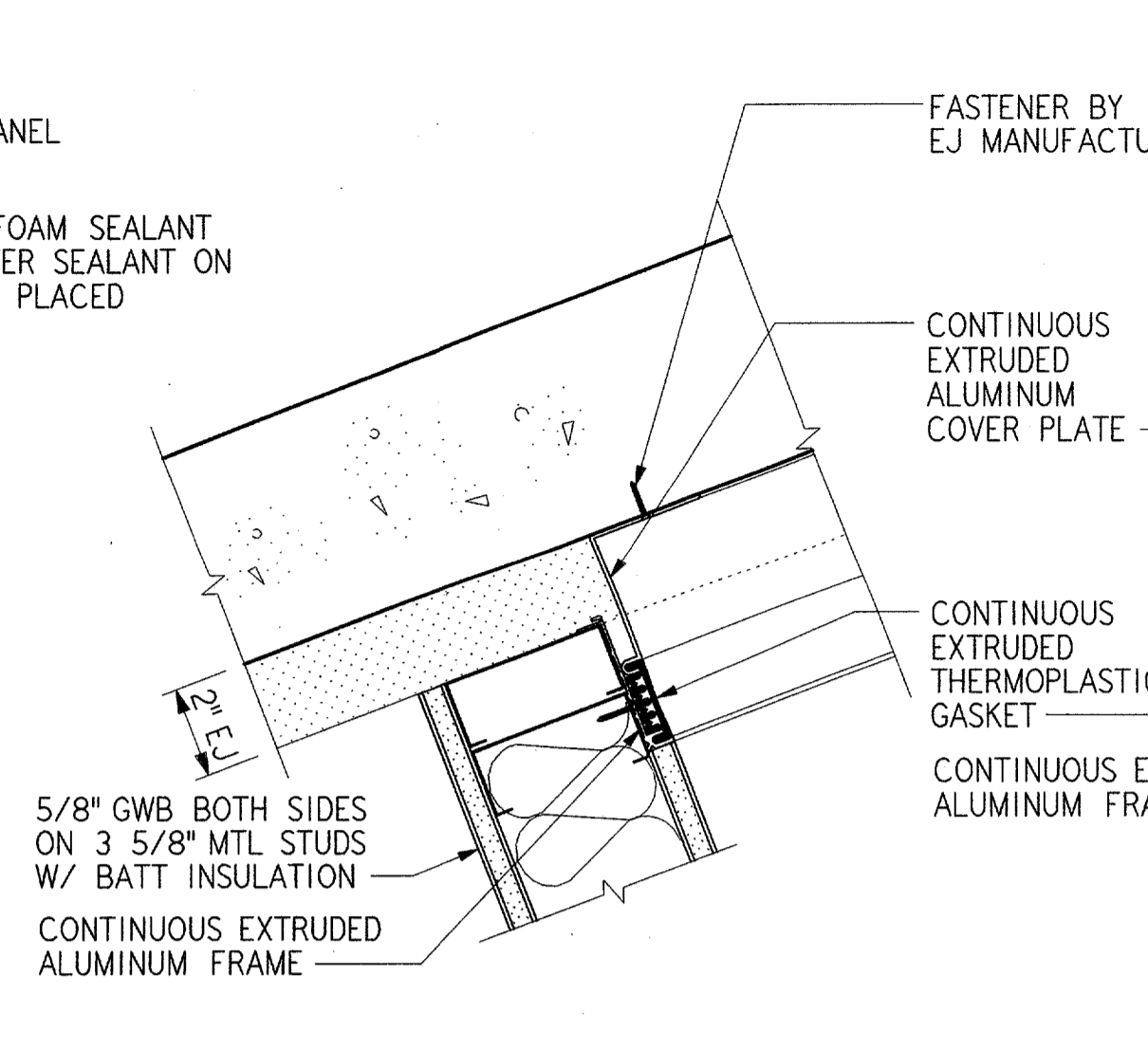


H
G
F
E
D
C
B
A

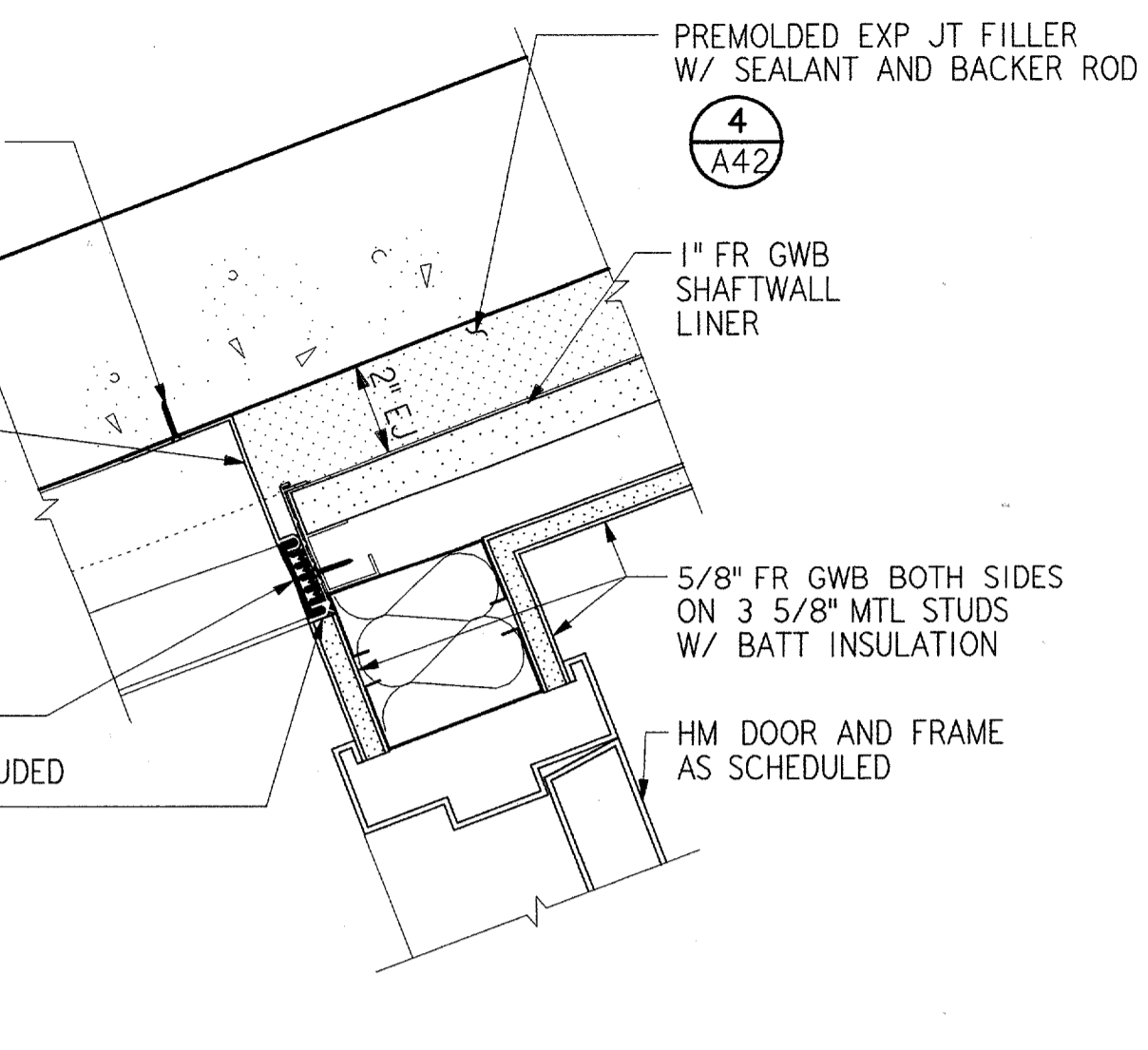
H
G
F
E
D
C
B
A



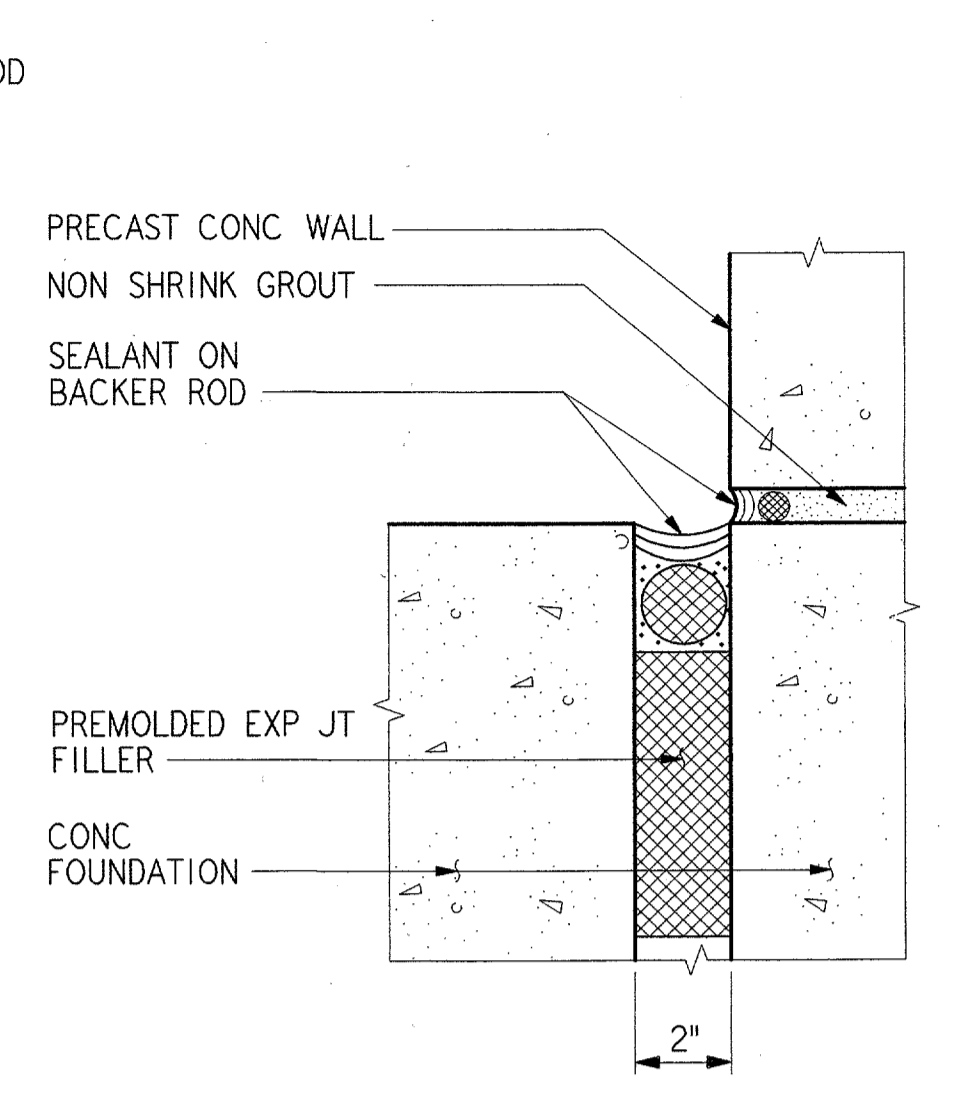
DETAIL 1 REF A42 A37
3" = 1'-0"



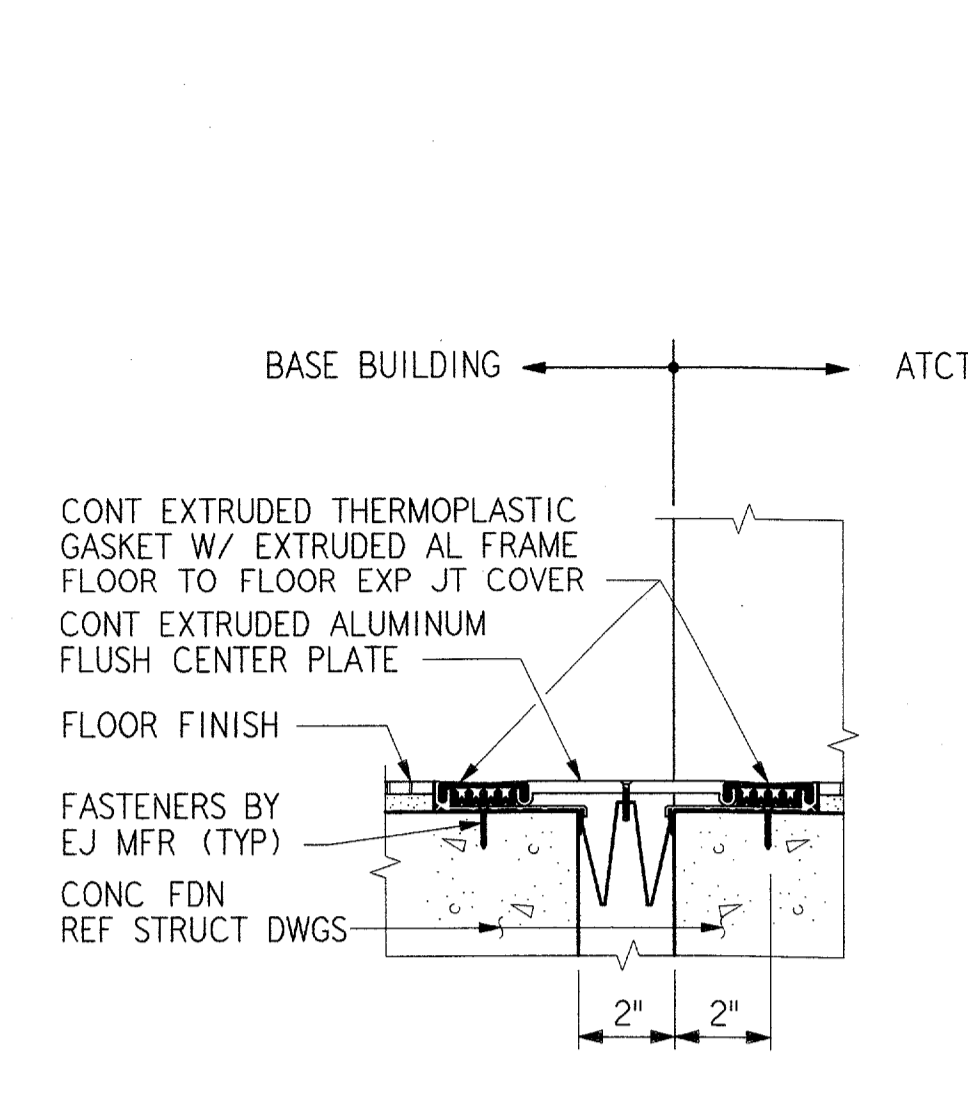
DETAIL 2 REF A42 A37
3" = 1'-0"



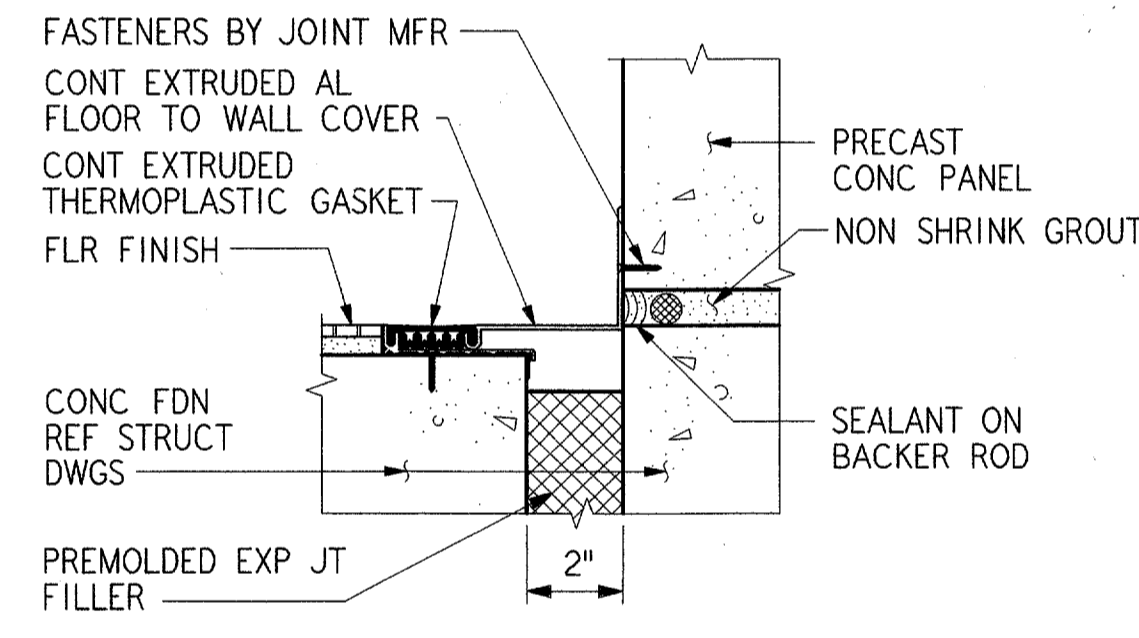
DETAIL 3 REF A42 A37
3" = 1'-0"



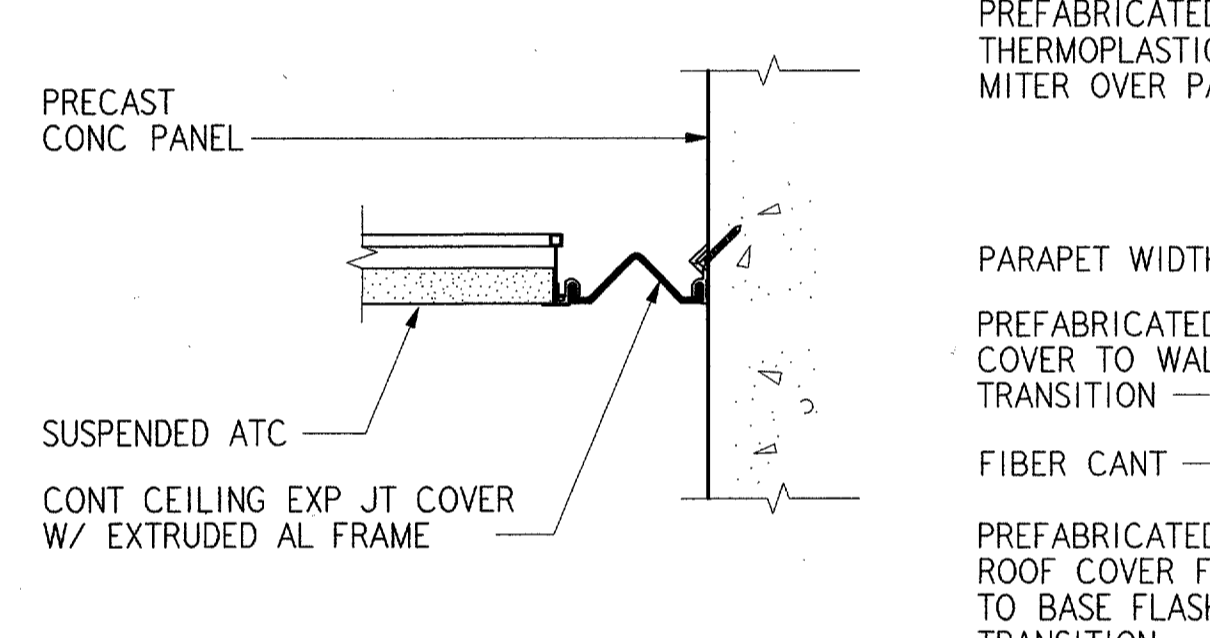
DETAIL 4 REF A42 A37
3" = 1'-0"



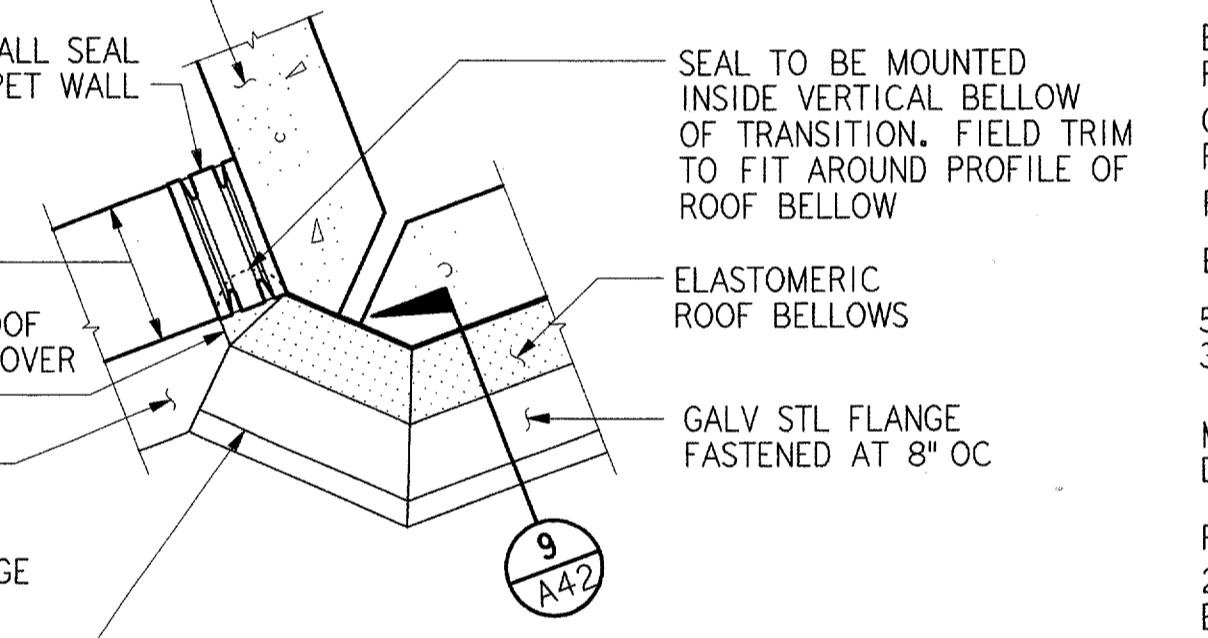
DETAIL 5 REF A42 A37
3" = 1'-0"



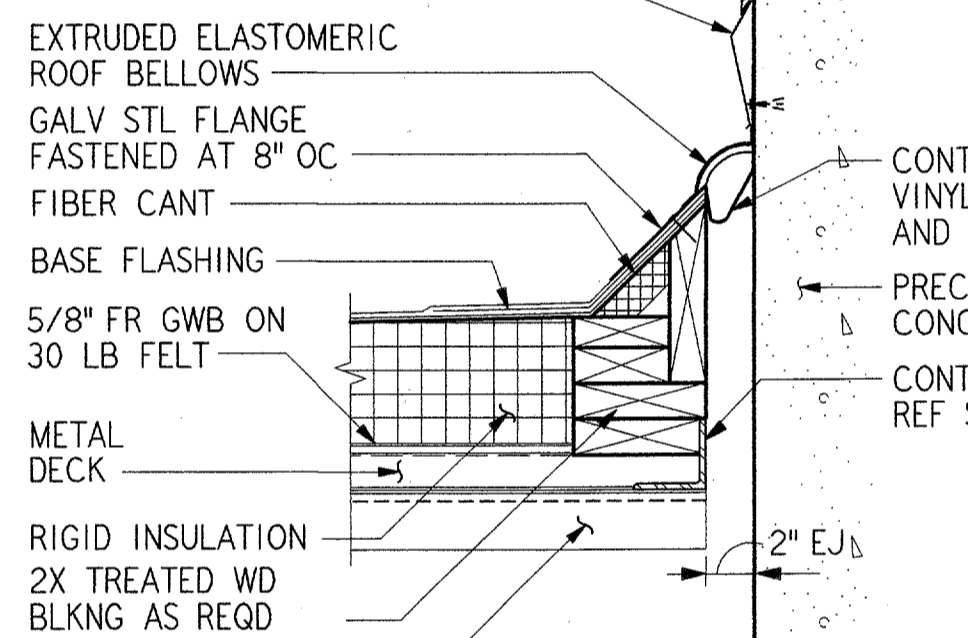
DETAIL 6 REF A42 A37
3" = 1'-0"



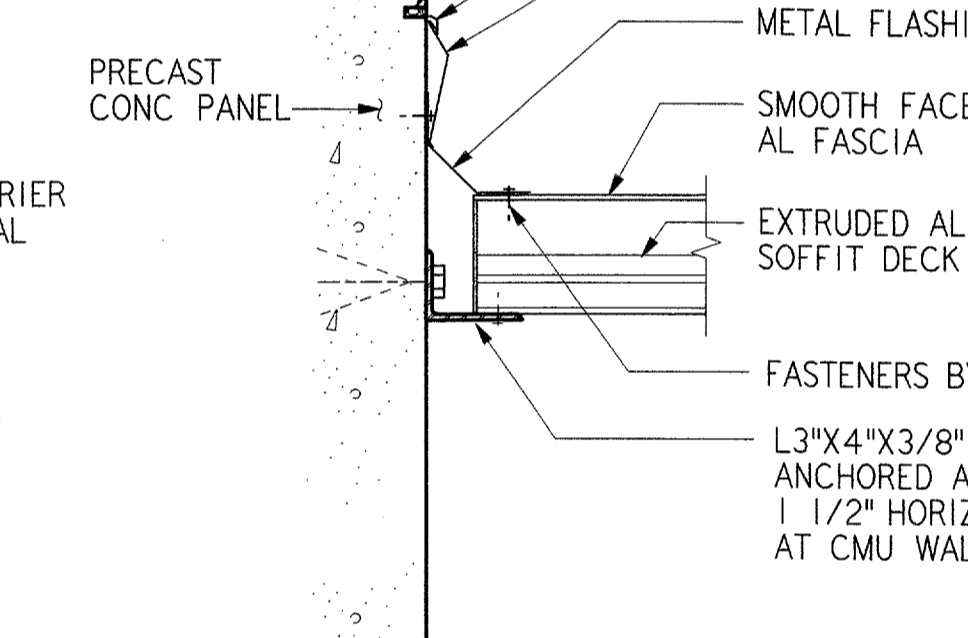
DETAIL 7 REF A42 A16
3" = 1'-0"



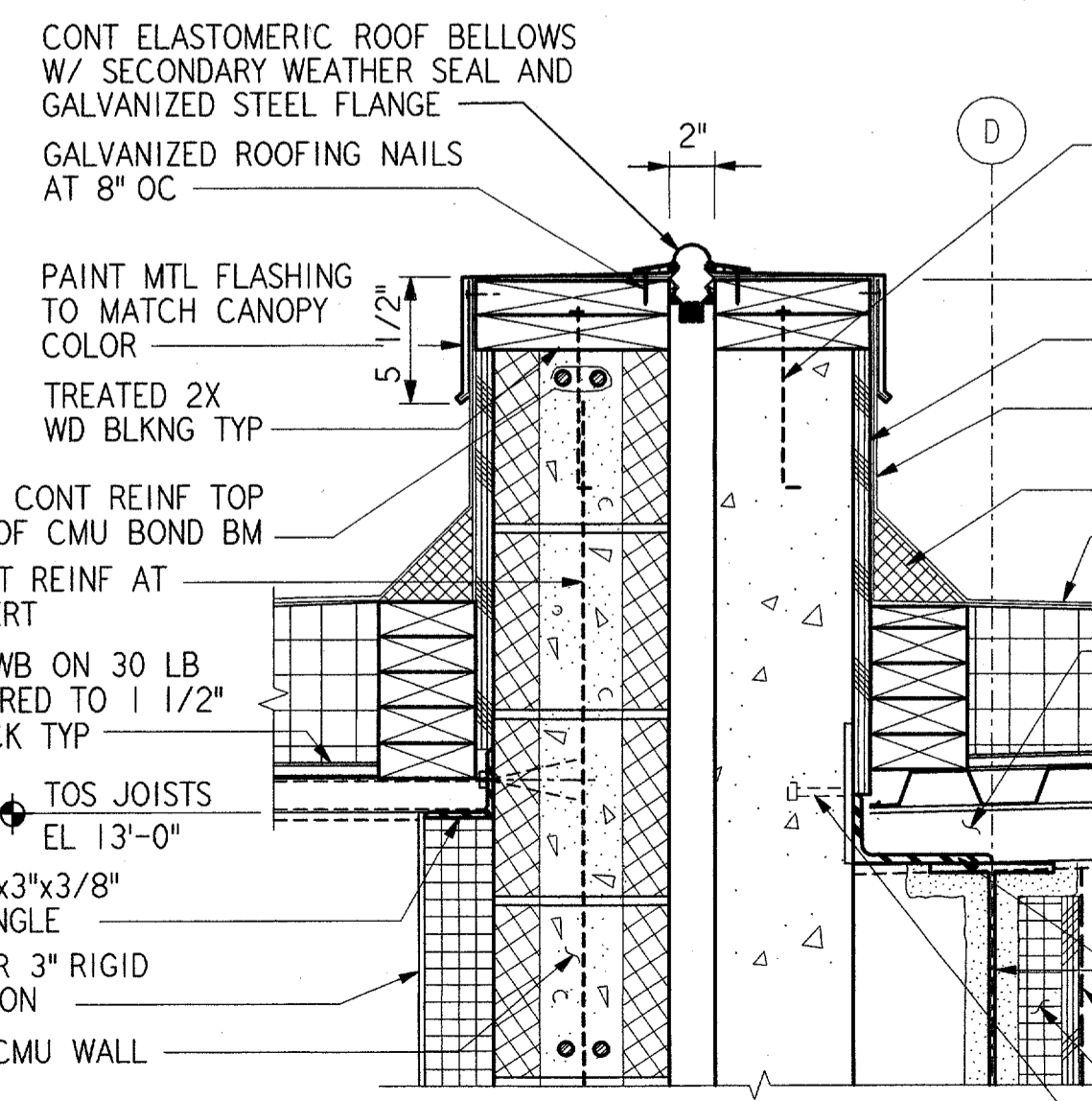
DETAIL 8 REF A42 A06
1 1/2" = 1'-0"



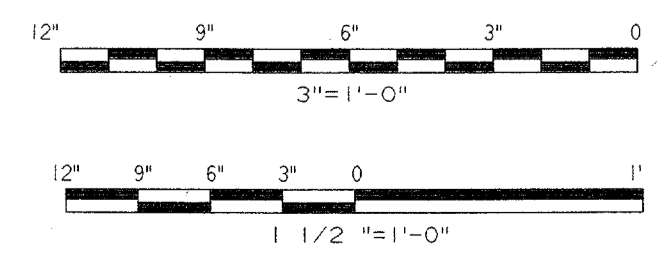
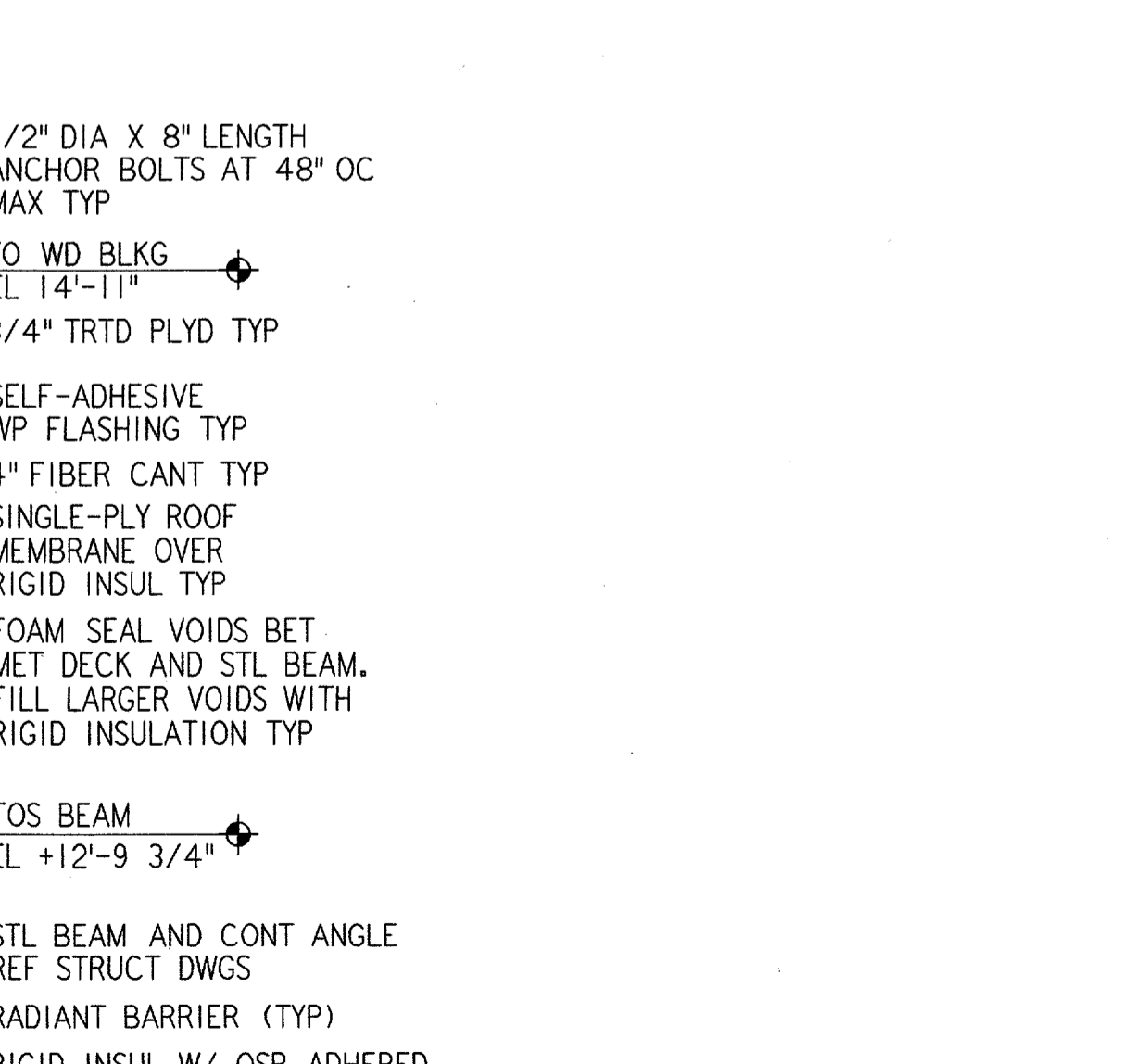
DETAIL 9 REF A42 A06
1 1/2" = 1'-0"



DETAIL 10 REF A42 A06
1 1/2" = 1'-0"



DETAIL 11 REF A42 A06 A30
1 1/2" = 1'-0"



REV.	DATE	DESCRIPTION	DFTG.	CHECKED

REGISTERED ARCHITECT
JAMES E. HARPER
STATE OF TEXAS
16725

PARSONS
DALLAS, TX

DEPARTMENT OF TRANSPORTATION
FEDERAL AVIATION ADMINISTRATION
SOUTHWEST REGION FORT WORTH, TEXAS

LOW ACTIVITY LEVEL
AIRPORT TRAFFIC CONTROL TOWER

EXPANSION JOINT DETAILS
BASE-EG BUILDING

ADDISON (ADDISON AIRPORT) TEXAS

DESIGNED: GARY WELLS
REVIEWED: A. AMBARDEKAR
ORIG. DFT.: E. DANE
FACILITY:

ISSUED BY
AIRWAY FACILITIES DIVISION

DATE: 06-22-01
DRAWING NUMBER:
ADS-ATCT- A42

MANAGER TERMINAL PLATFORM, ANI-640

A42

FILENAME: ADS\A042.DIT