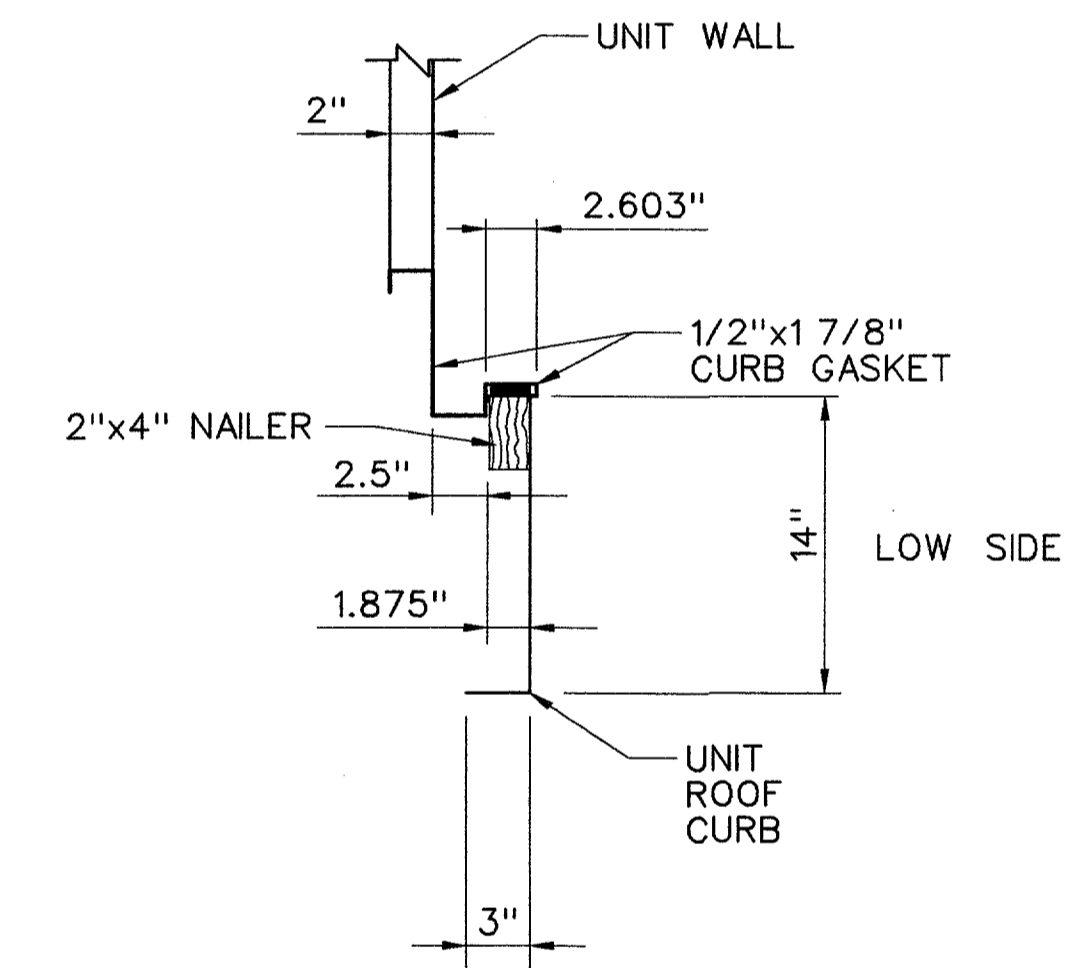


2 SUGGESTED INSTALLATION METHODS - SECTIONAL VIEWS
A045 NOT TO SCALE



| REV | DATE | DESCRIPTION | JCN | REDLINE DATE | APVD |
|---|-----------------------|----------------------------|------------------------|--------------|----------|
| DEPARTMENT OF TRANSPORTATION FEDERAL AVIATION ADMINISTRATION FORT WORTH IMPLEMENTATION CENTER FORT WORTH, TX LOW ACTIVITY LEVEL ATCT ROOF CURB DETAILS AIR HANDLING UNITS - AHU 2 AND 3 | | | | | |
| ADDISON | | ADDISON AIRPORT | | TX | |
| REVIEWED BY | SUBMITTED BY | APPROVED BY | | | |
| | <i>Edmund Hackett</i> | <i>John Bond</i> | | | |
| DESIGNED | ED HACKETT | ISSUED BY | PLATF MANAGER, ANI-640 | DATE | 06-23-03 |
| DRAWN | BC/LB | NAS IMPLEMENTATION ANI-600 | DRAWING NO | 9700164 | REV |
| CHECKED | | | ADS-D-ATCT-A045 | | |