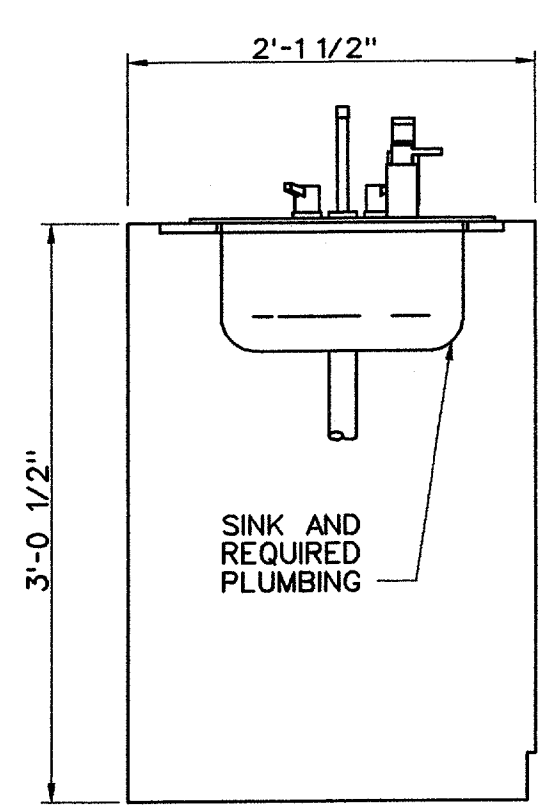
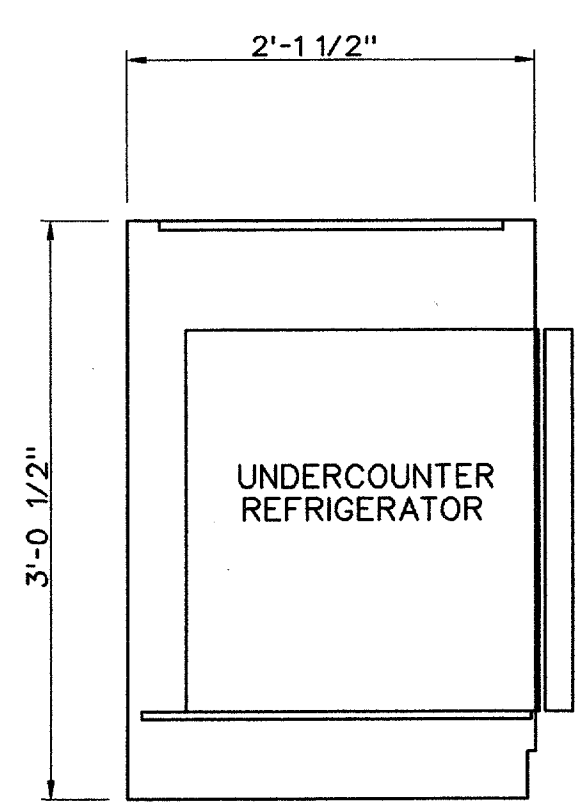


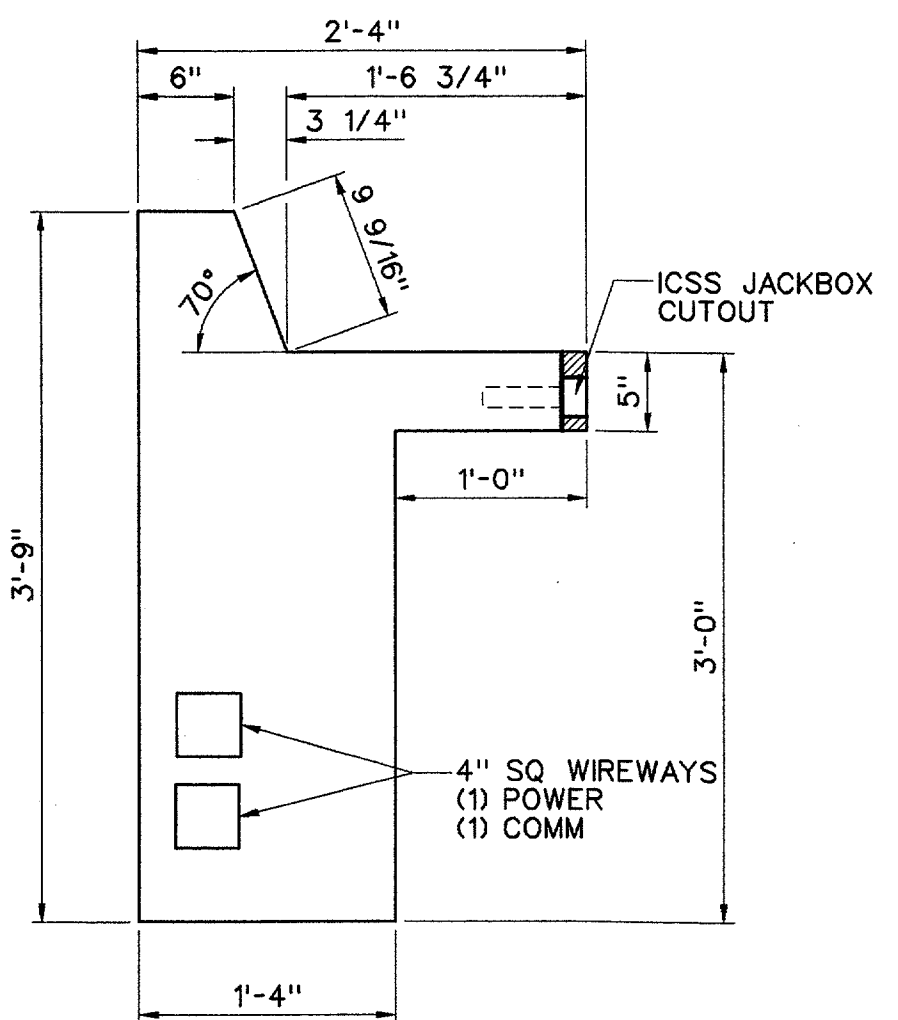
FLIGHT STRIP BIN DETAIL
NOT TO SCALE
TYP 3 PLACES



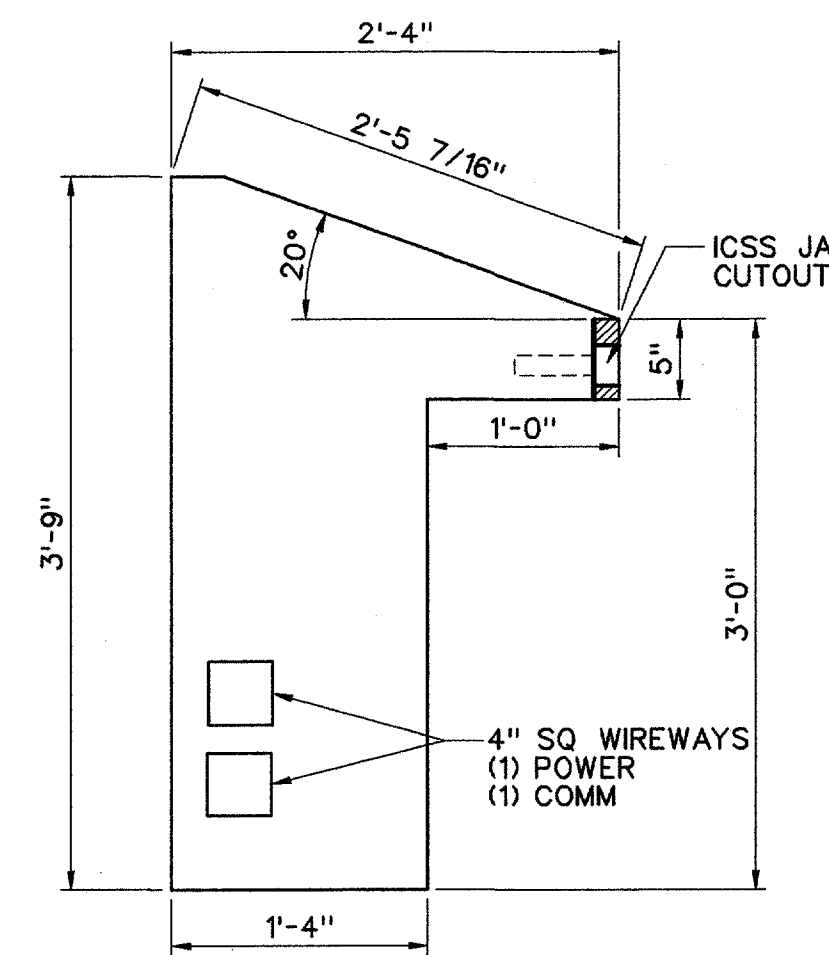
A SECTION
CNSLO1 SCALE:1\"/>



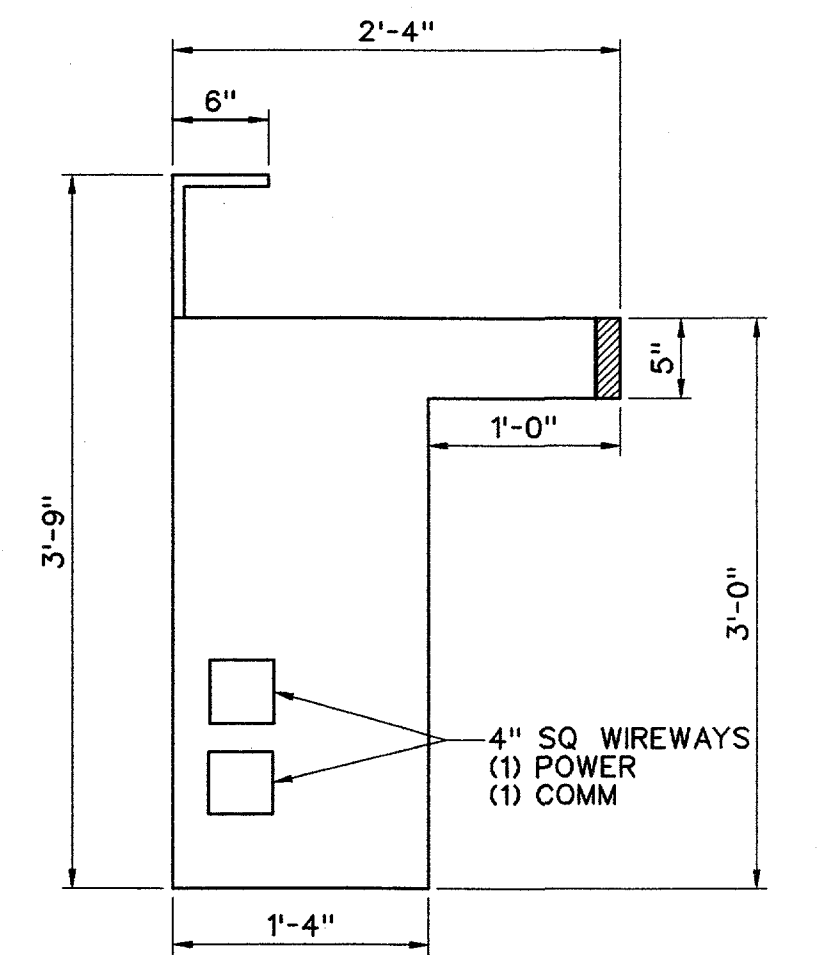
B SECTION
CNSLO1 SCALE:1\"/>



C SECTION
CNSLO1 SCALE:1\"/>

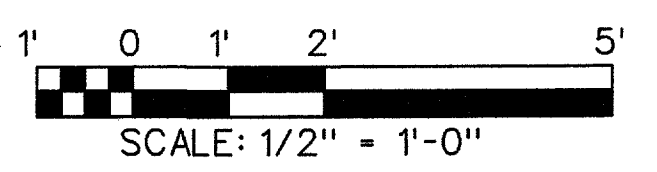


D SECTION
CNSLO1 SCALE:1\"/>



E SECTION
CNSLO1 SCALE:1\"/>

(FDIO) DENOTES POSSIBLE EQUIPMENT LOCATIONS.
(DBRITE) DENOTES DBRITE TRACKS.
(IDS) DENOTES SLOPED INSTRUMENT SURFACES..



REV	DATE	DESCRIPTION	JCN	REDLINE DATE	APVD
A	06-19-03	RELOCATE TOWER CAB CONSOLES.			
1	09-16-97	REVISED DBRITE TRACK AND FLOOR HATCH.			

DEPARTMENT OF TRANSPORTATION
FEDERAL AVIATION ADMINISTRATION
FORT WORTH IMPLEMENTATION CENTER FORT WORTH, TX
AIRPORT TRAFFIC CONTROL TOWER
PLAN LAYOUT AND EQUIPMENT SCHEDULE
TOWER CAB CONSOLES

DALLAS ADDISON AIRPORT TX

REVIEWED BY	SUBMITTED BY ORIGINAL DRAWING SIGNED BY: GARY W. RAY SYSTEMS ENGINEER, ANI-640	APPROVED BY ORIGINAL DRAWING SIGNED BY: CHRISTIAN C. CALLAHAN MANAGER TERMINAL PLATFORM, ANI-640
DESIGNED	CAEG	ISSUED BY DATE JUN 9, 1997 JCN
DRAWN	KS/LB	DRAWING NO. NAS IMPLEMENTATION ANI-600
CHECKED		REV ADS-CAB-CNSLO1 A