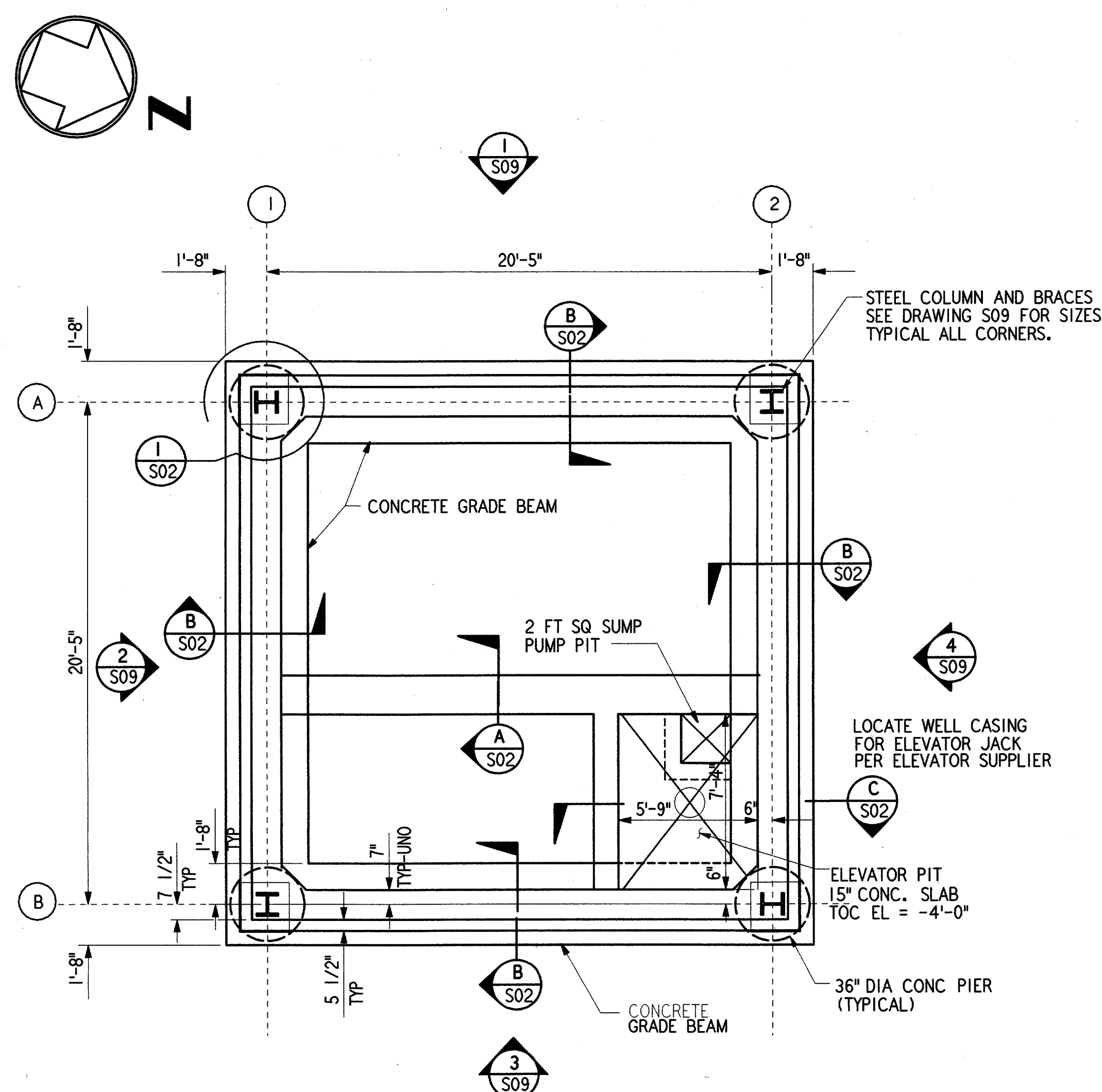
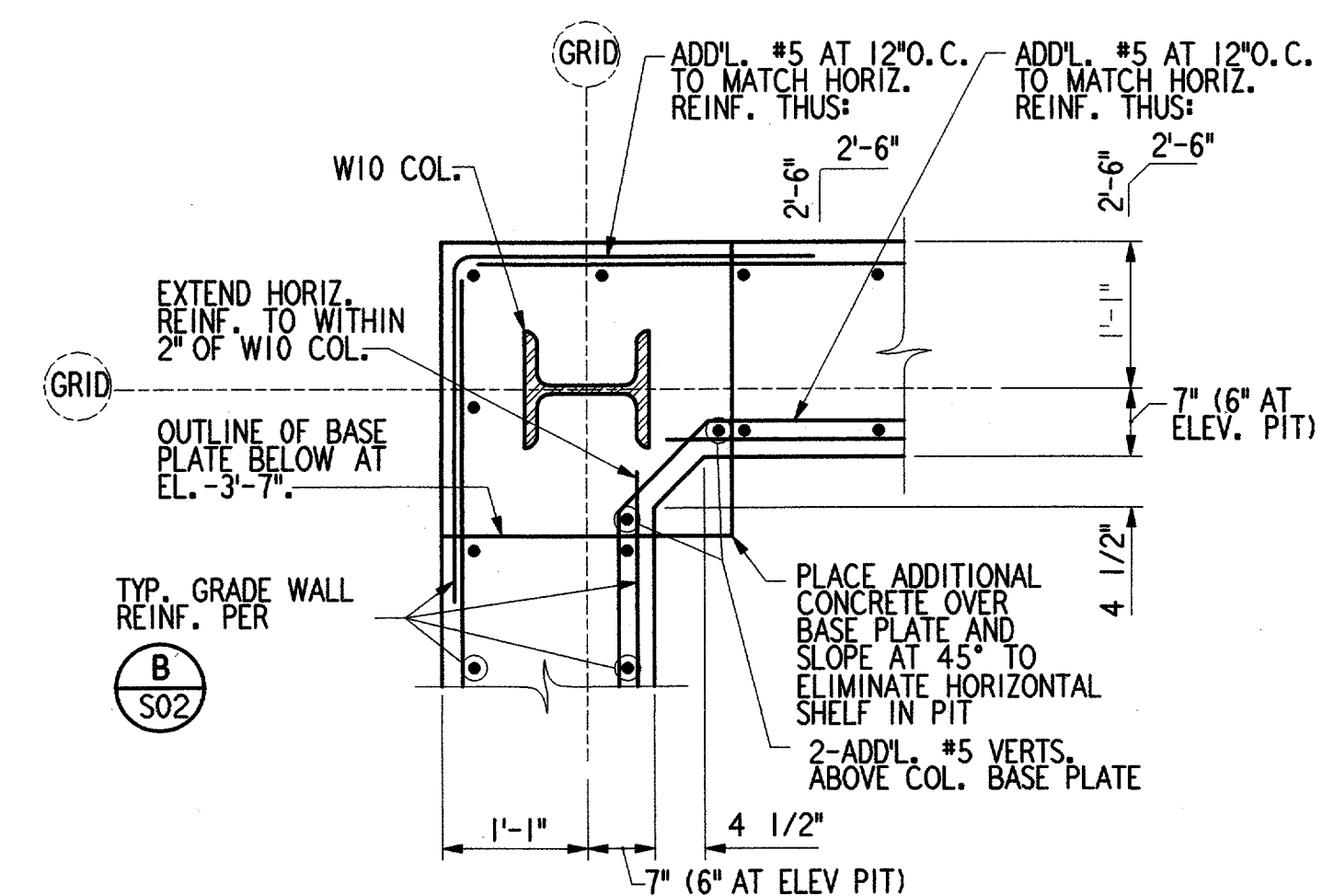


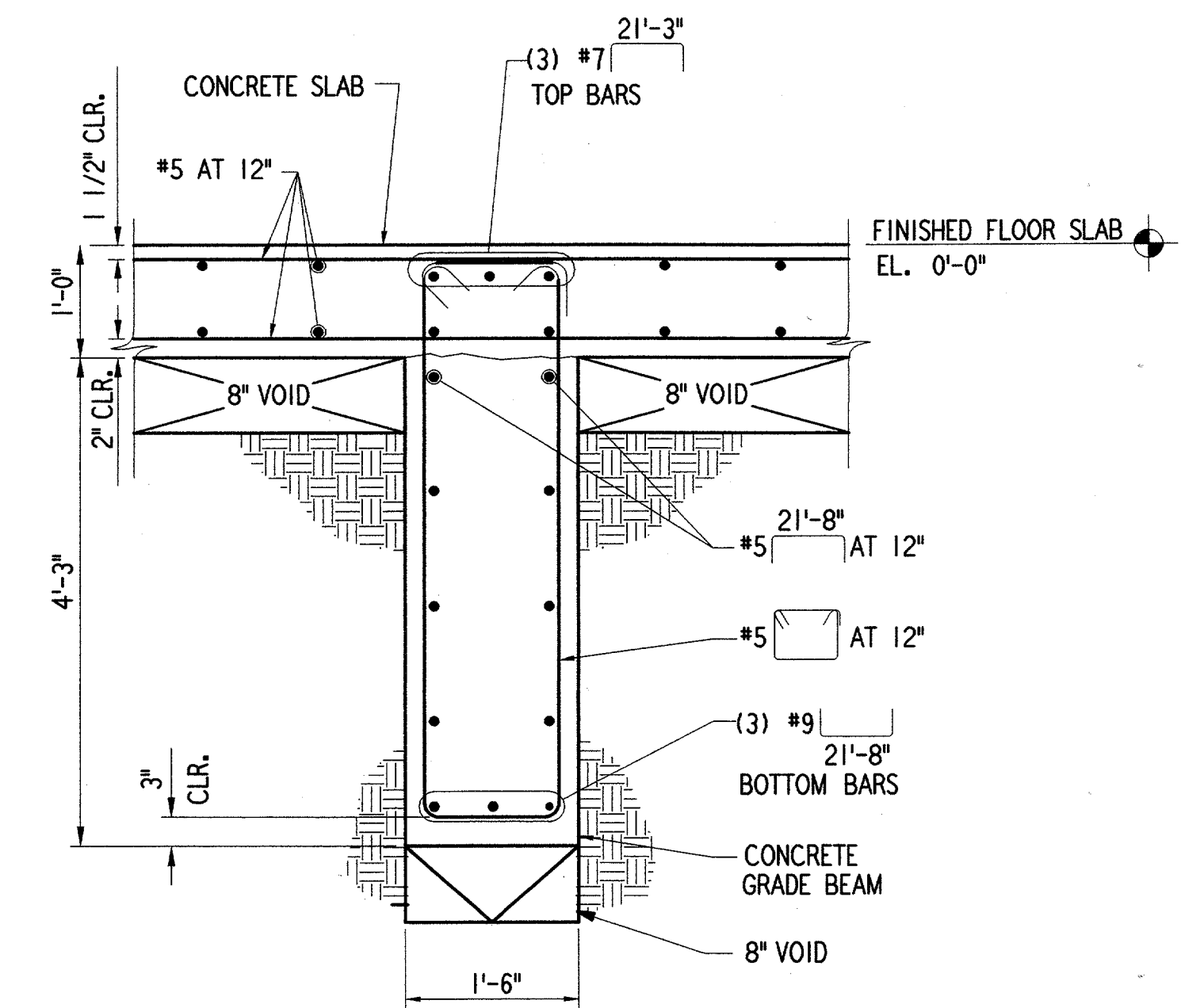
NOTES:
 1. FOR ADDITIONAL NOTES SEE DRAWING S01.



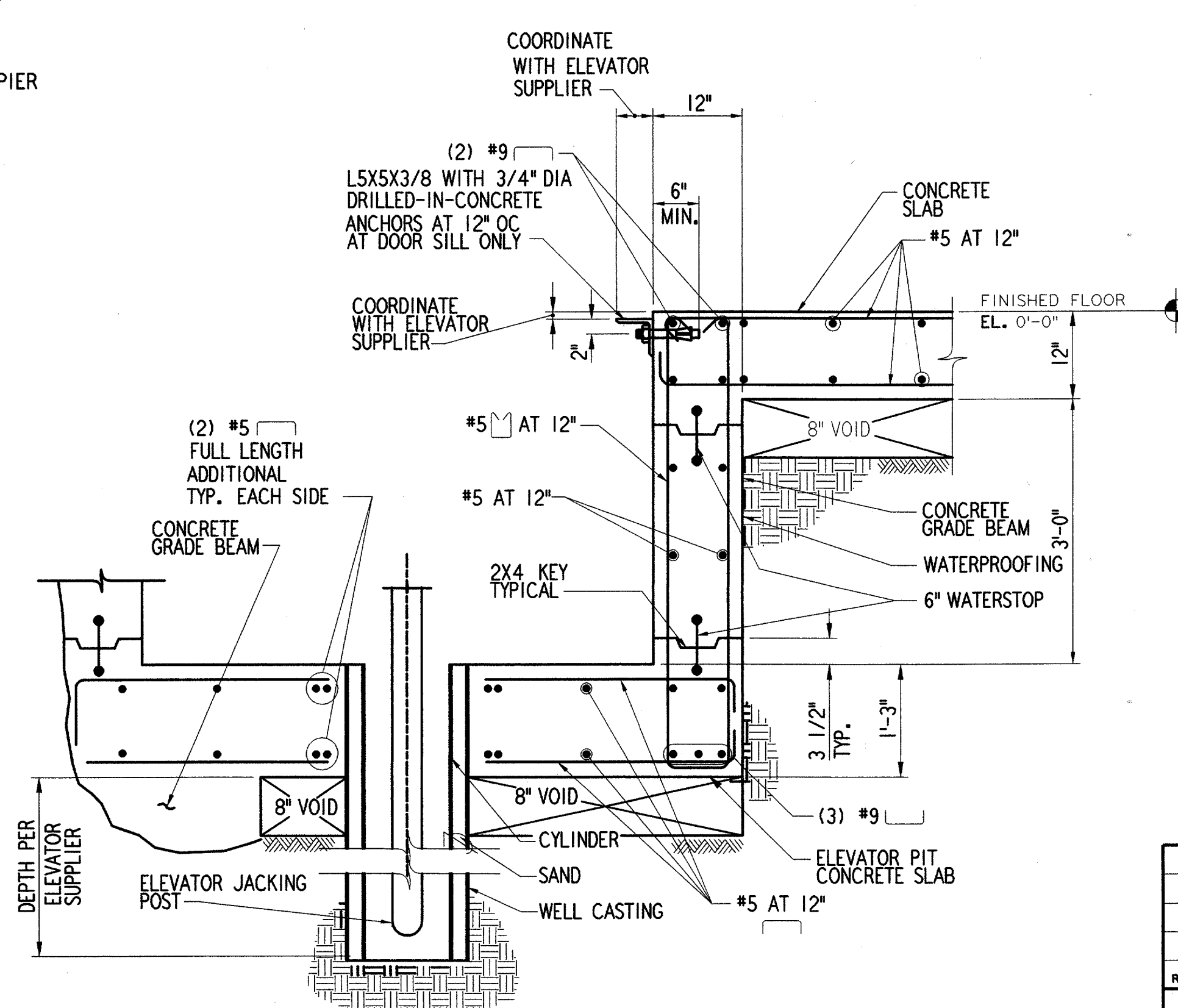
FOUNDATION PLAN
 1/4" = 1'-0"



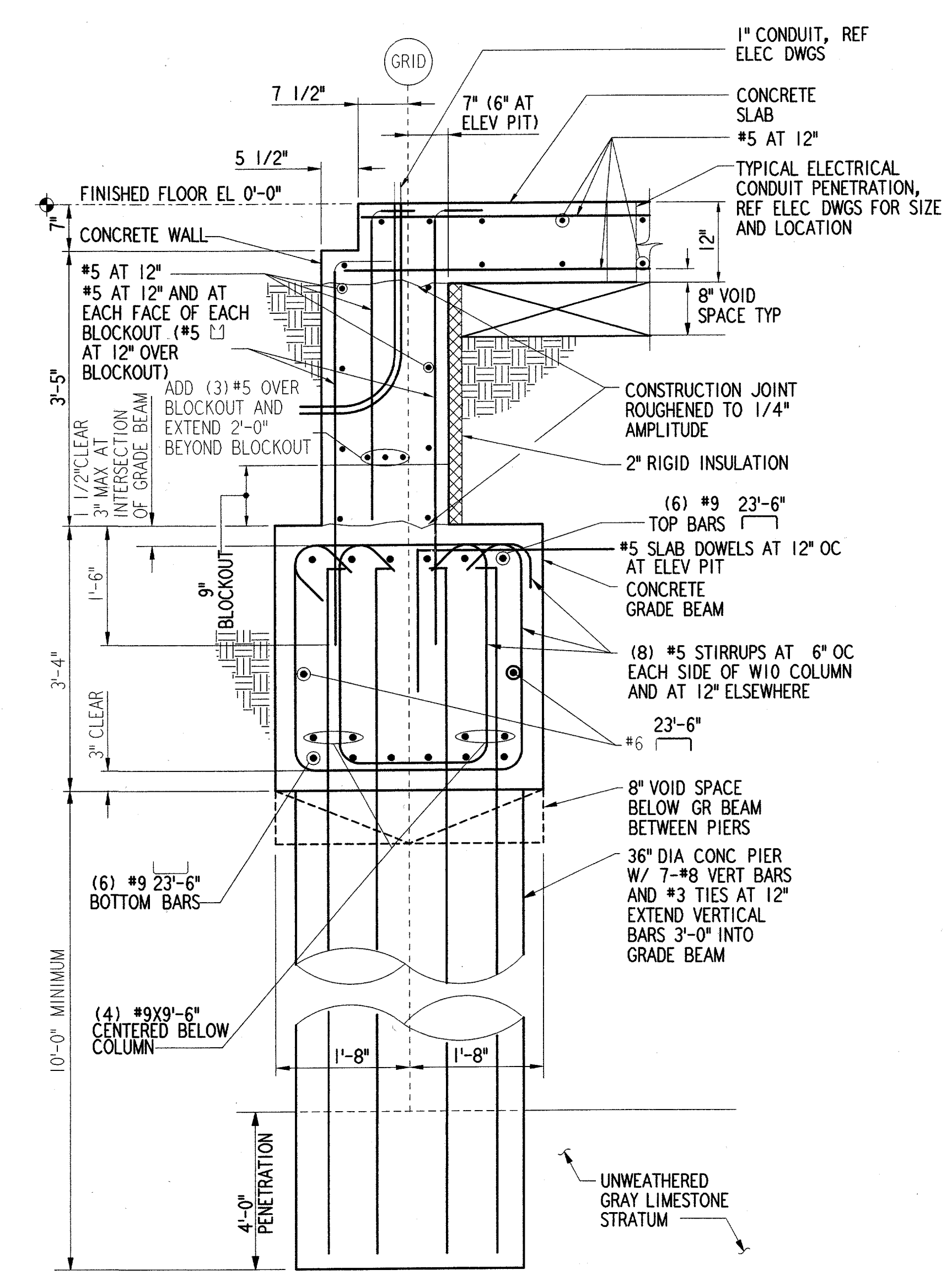
DETAIL I
 3/4" = 1'-0"



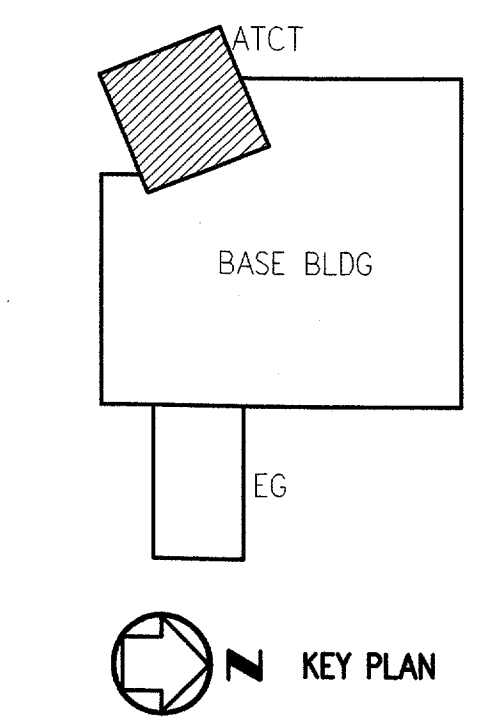
SECTION A REF S02 S04
 3/4" = 1'-0"



SECTION C REF S02
 3/4" = 1'-0"



SECTION B REF S02 S04
 3/4" = 1'-0"



KEY PLAN

REV.	DATE	DESCRIPTION	DFTG.	CHECKED

6/22/01

DALLAS, TX

**DEPARTMENT OF TRANSPORTATION
 FEDERAL AVIATION ADMINISTRATION**

SOUTHWEST REGION FORT WORTH, TEXAS

LOW ACTIVITY LEVEL
 AIRPORT TRAFFIC CONTROL TOWER

**FOUNDATION PLAN, SECTIONS & DETAILS
 ATCT**

ADDISON (ADDISON AIRPORT) TEXAS

DESIGNED: A. RAB	ISSUED BY: AIRWAY FACILITIES DIVISION	DATE: 06-22-01
REVIEWED: N. PAREKH	MANAGER: TERMINAL PLATFORM, ANI-640	DRAWING NUMBER: ADS-ATCT-S02
ORIG. DFT.: S. RAJPREEJA	FACILITY:	

FILENAME: