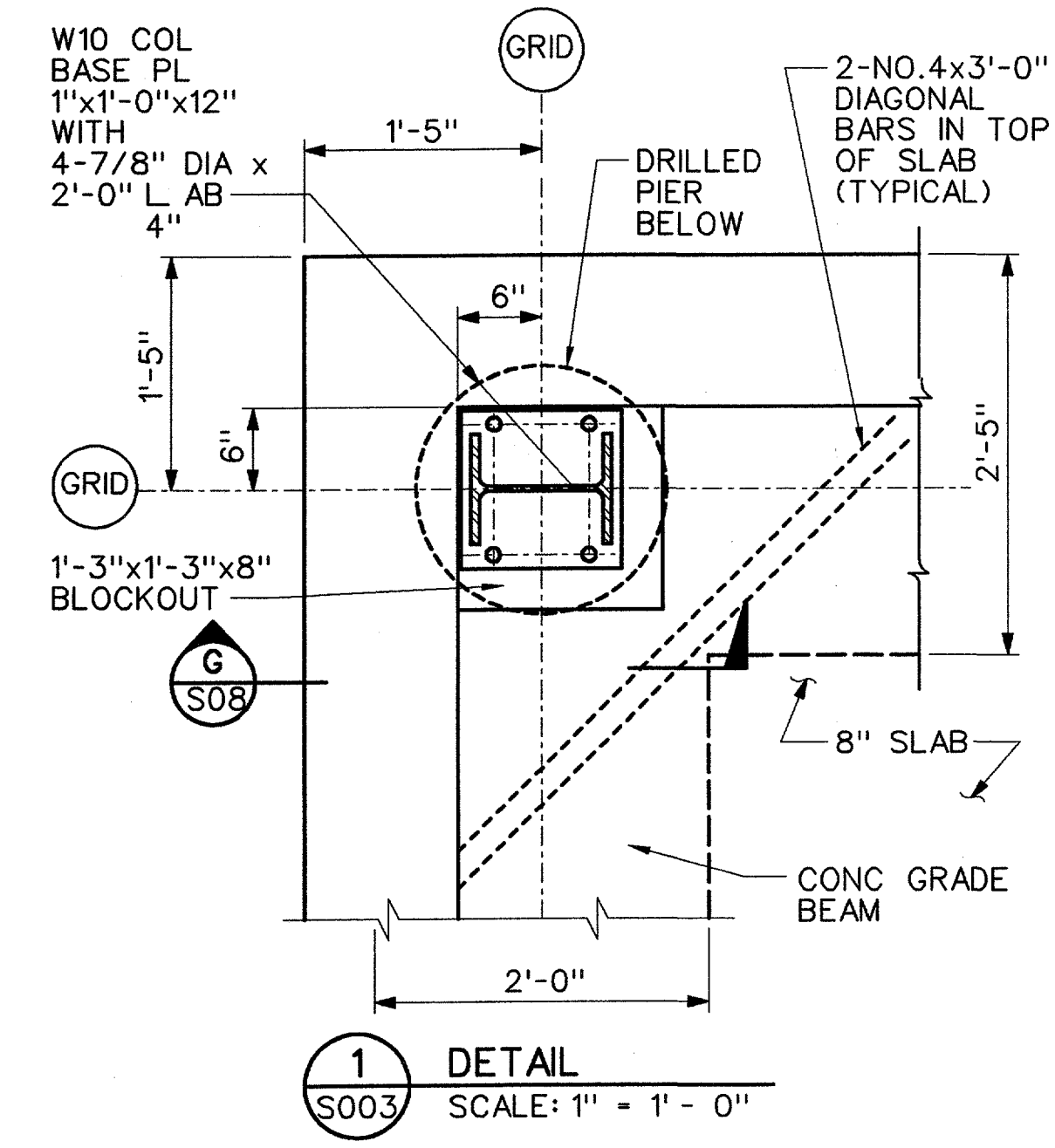
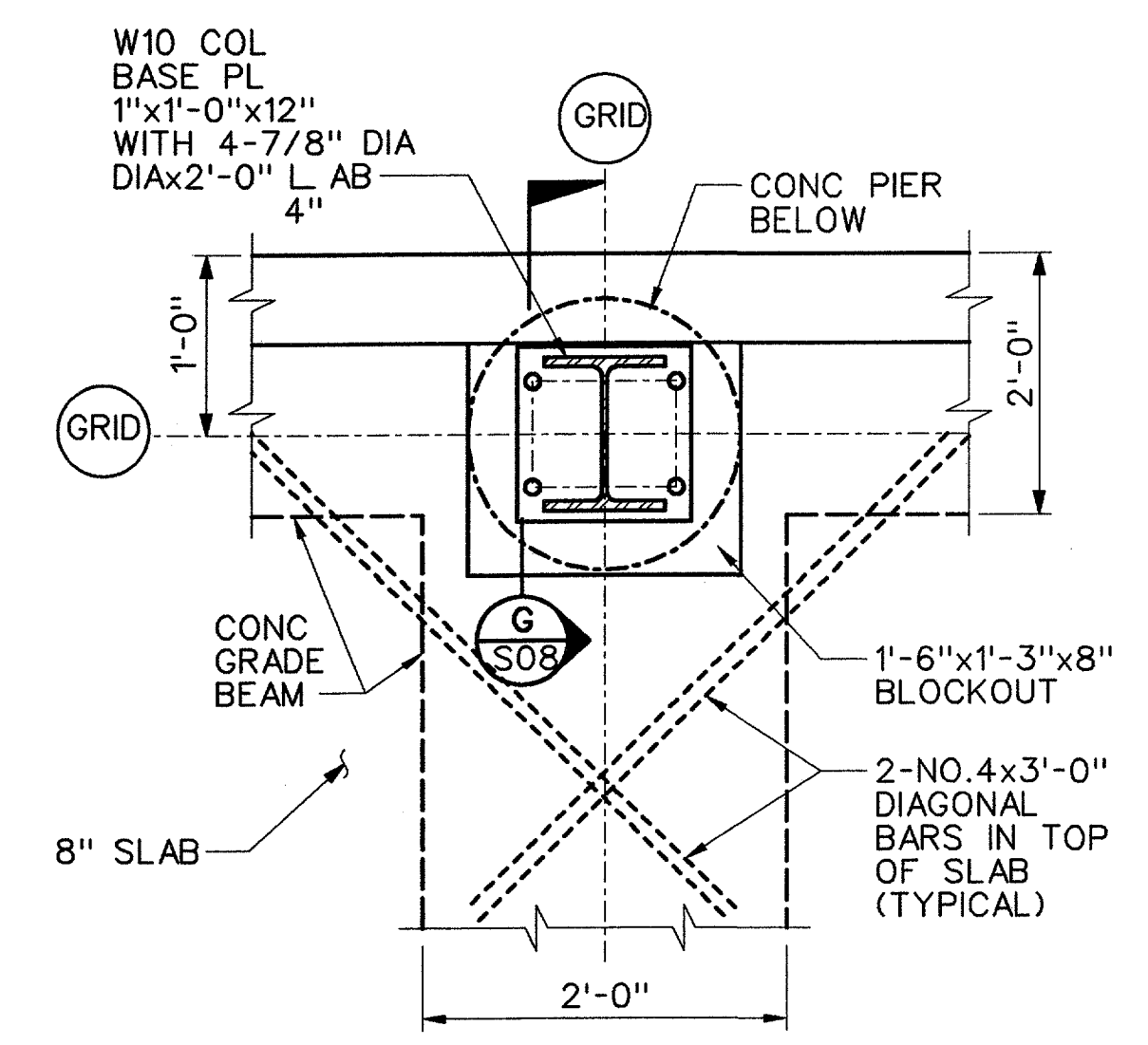


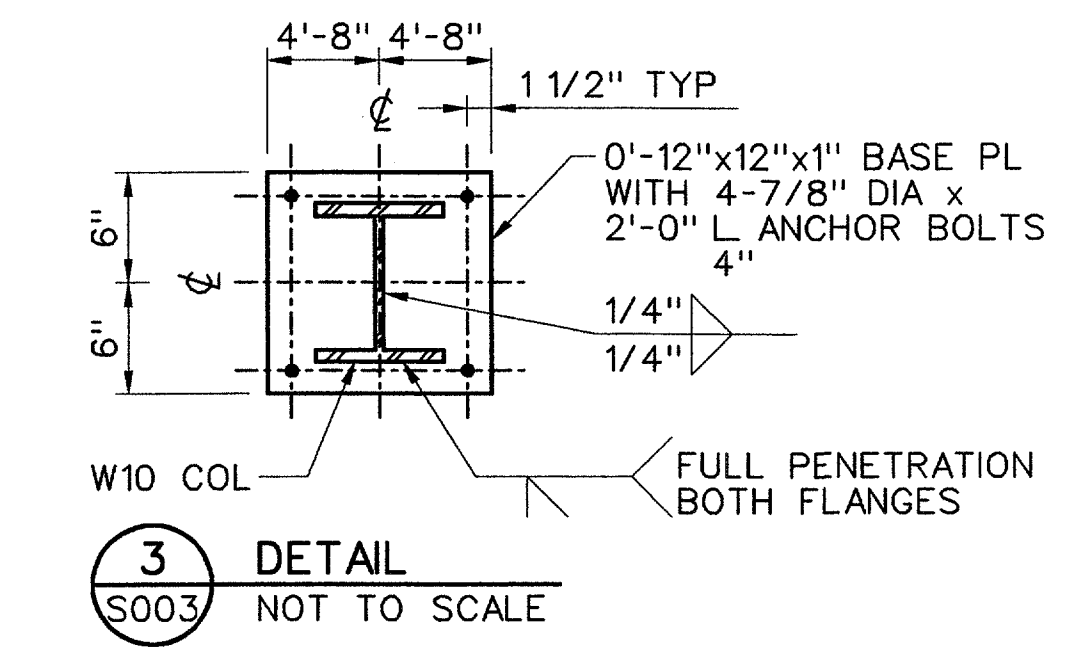
FOUNDATION AND FIRST FLOOR PLAN
SCALE: 1/8" = 1' - 0"



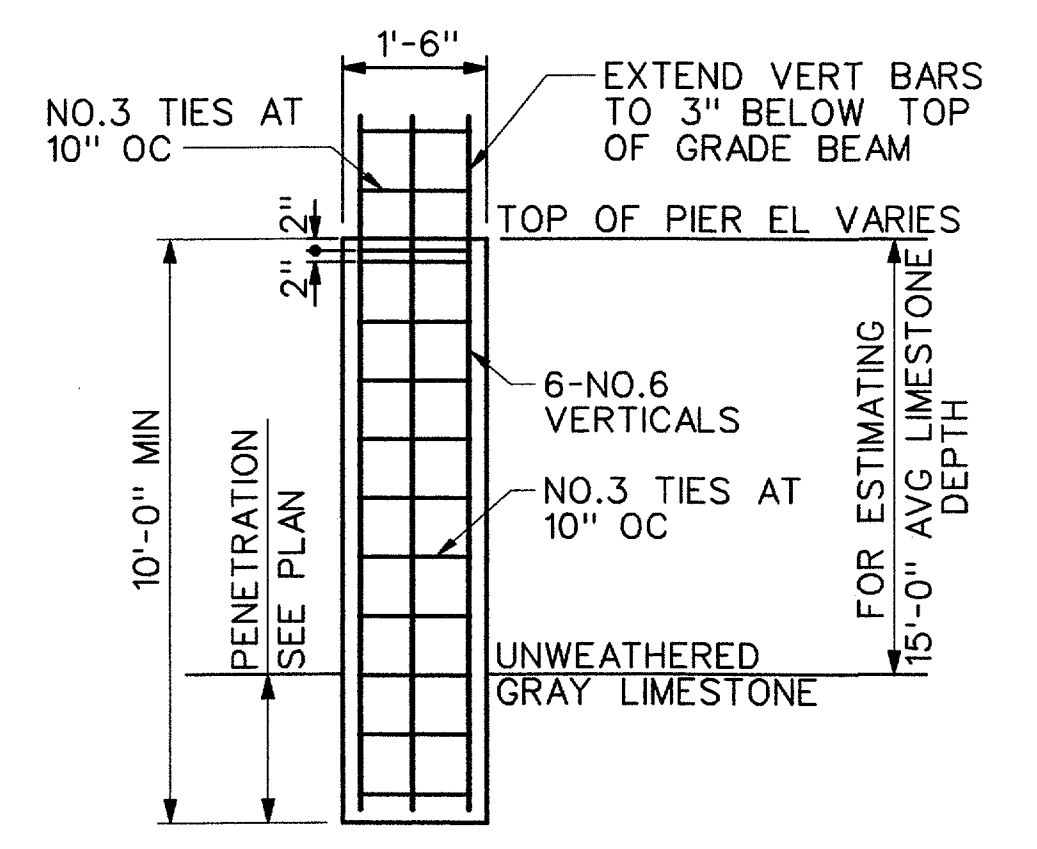
1 DETAIL
S003 SCALE: 1" = 1' - 0"



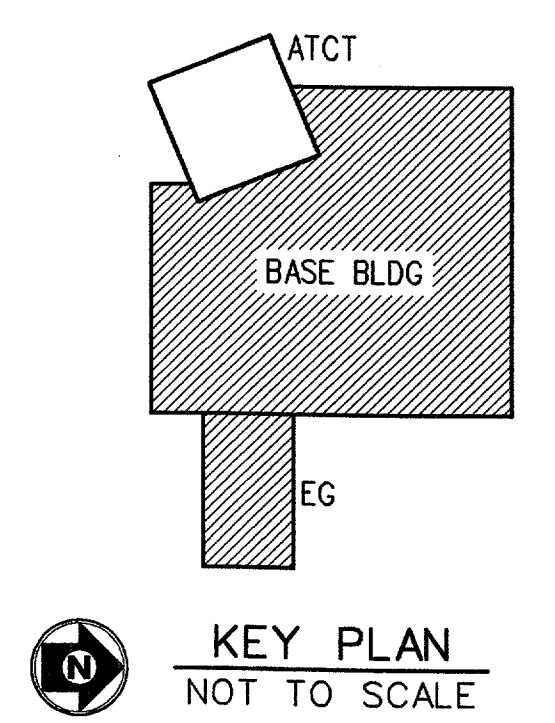
2 DETAIL
S003 SCALE: 1" = 1' - 0"



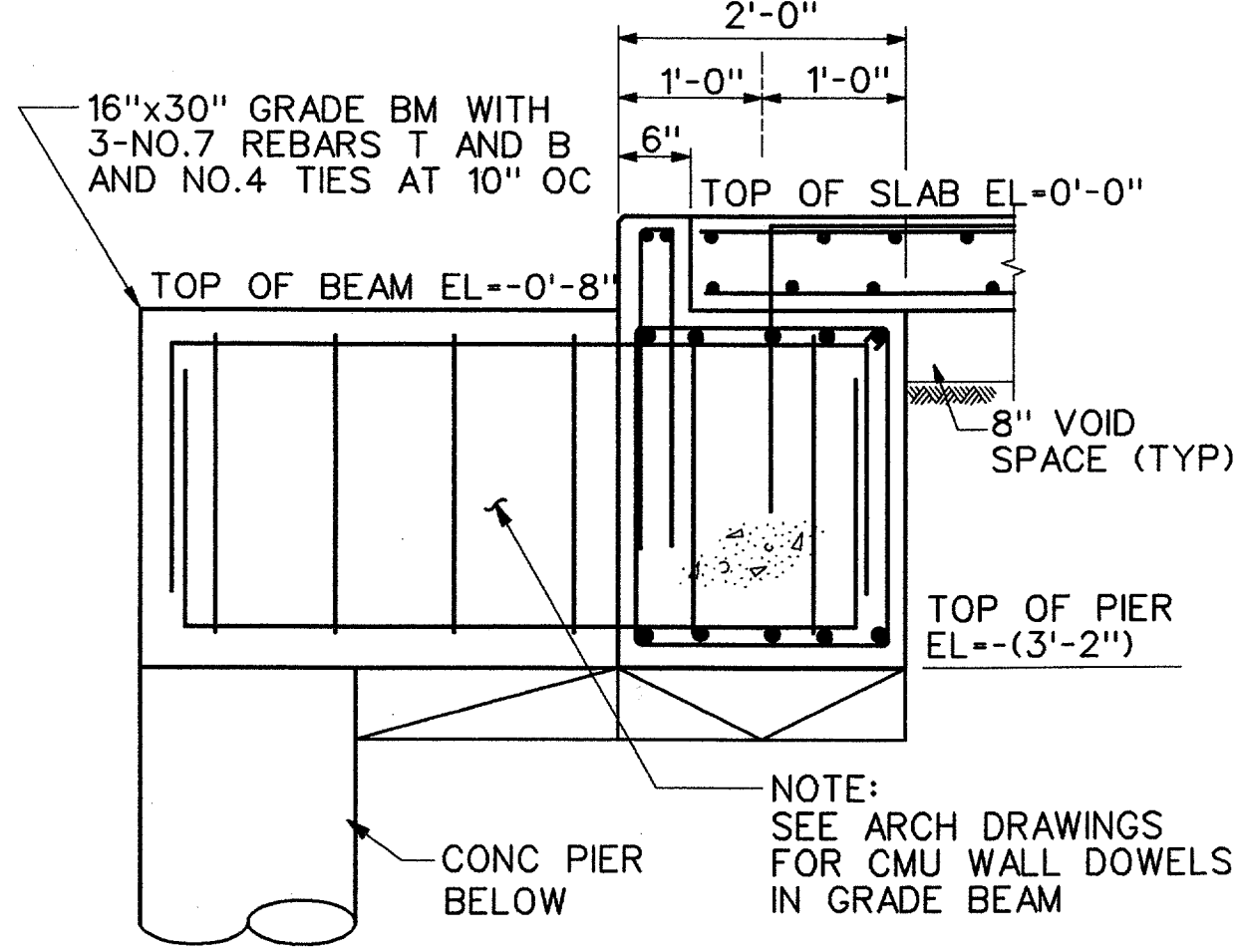
3 DETAIL
S003 NOT TO SCALE



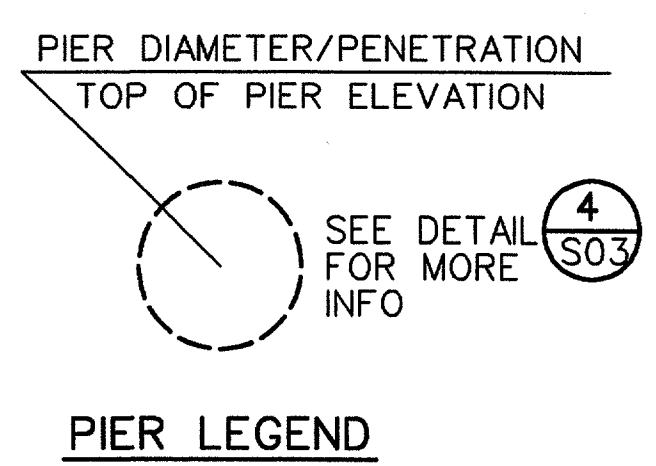
4 CONC PIERS DETAIL
S003 SCALE: 3/8" = 1' - 0"



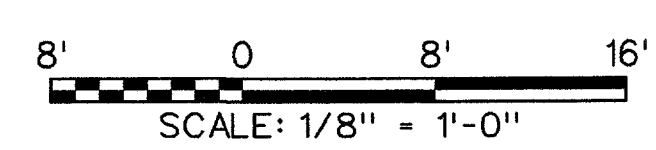
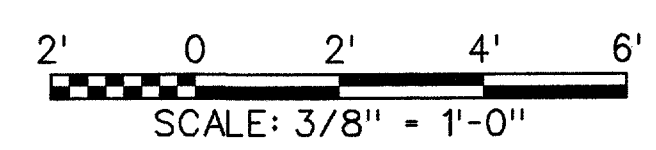
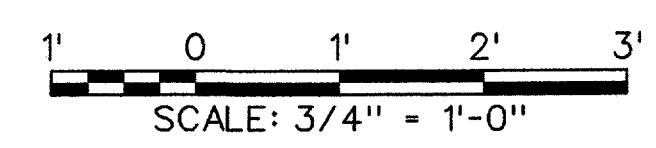
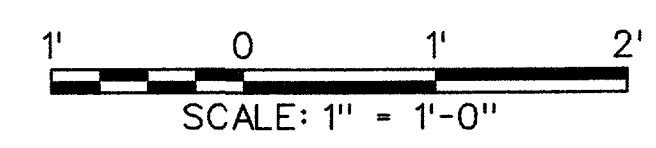
KEY PLAN
NOT TO SCALE



A SECTION
S003 SCALE: 3/4" = 1' - 0"



PIER LEGEND



- NOTES:**
- FOR GENERAL NOTES SEE DRAWING S001.
 - FINISHED FLOOR EL = 0'-0" EQUALS TO EL = 643.5' SHOWN ON CIVIL DRAWING.

REV	DATE	DESCRIPTION	JCN	REDLINE DATE	APVD
A	06-23-03	FAA REDESIGN OF HVAC, JON 21874.	9700164	06-23-03	
DEPARTMENT OF TRANSPORTATION FEDERAL AVIATION ADMINISTRATION FORT WORTH IMPLEMENTATION CENTER FORT WORTH, TX LOW ACTIVITY LEVEL ATCT FOUNDATION PLAN BASE-EG BUILDING					
ADDISON		ADDISON AIRPORT		TX	
REVIEWED BY	SUBMITTED BY	APPROVED BY			
	Edward Hackett	[Signature]			
DESIGNED BY	PROJECT ENGINEER, ANI-640	DATE	PLATFORM MANAGER, ANI-640		
DRAWN	ED HACKETT	ISSUED BY	DATE	JCN	9700164
CHECKED	KS	NAS IMPLEMENTATION ANI-600	DRAWING NO	06-23-03	REV
			ADS-D-ATCT-S003		A