

8

7

6

5

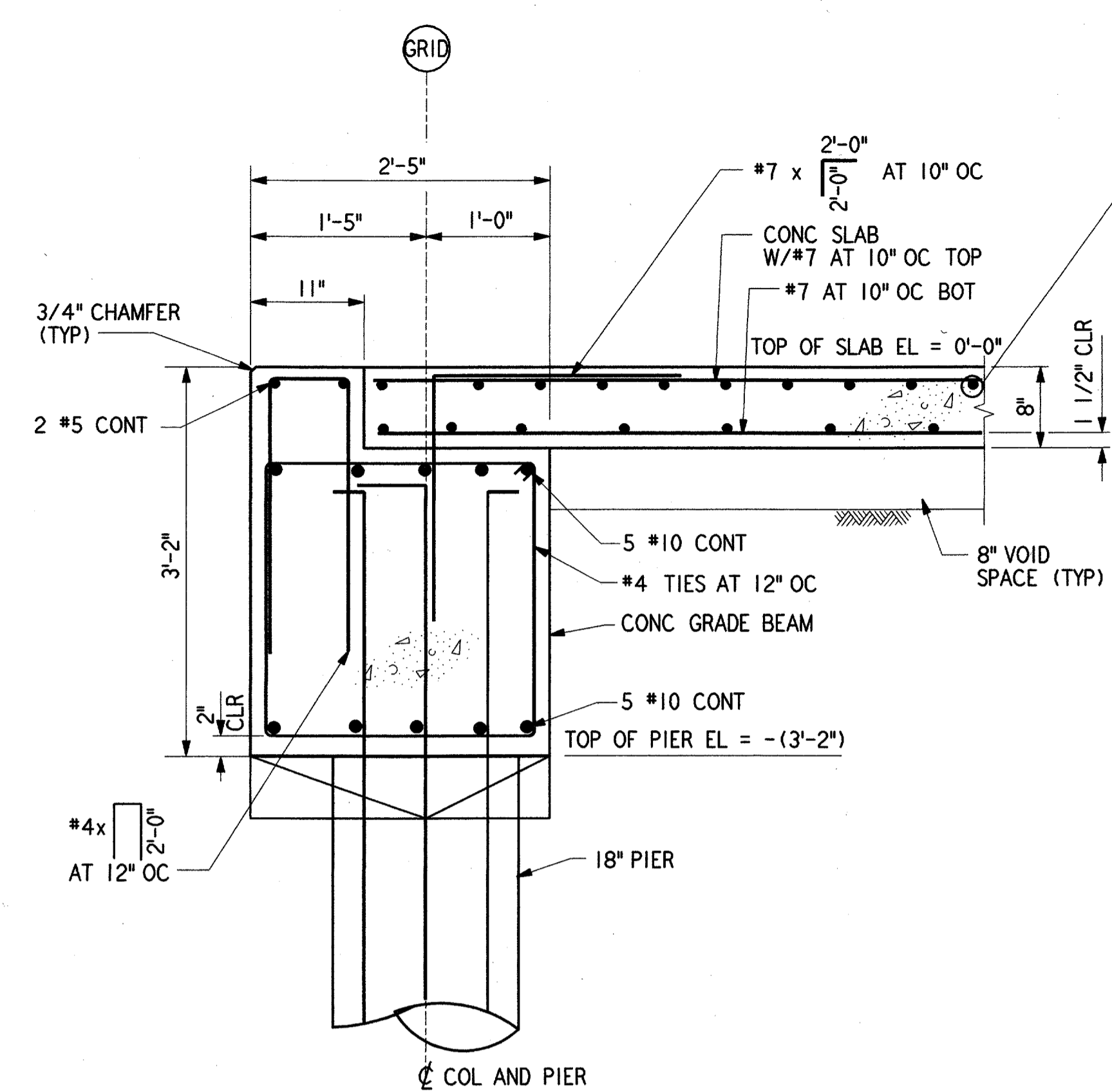
4

3

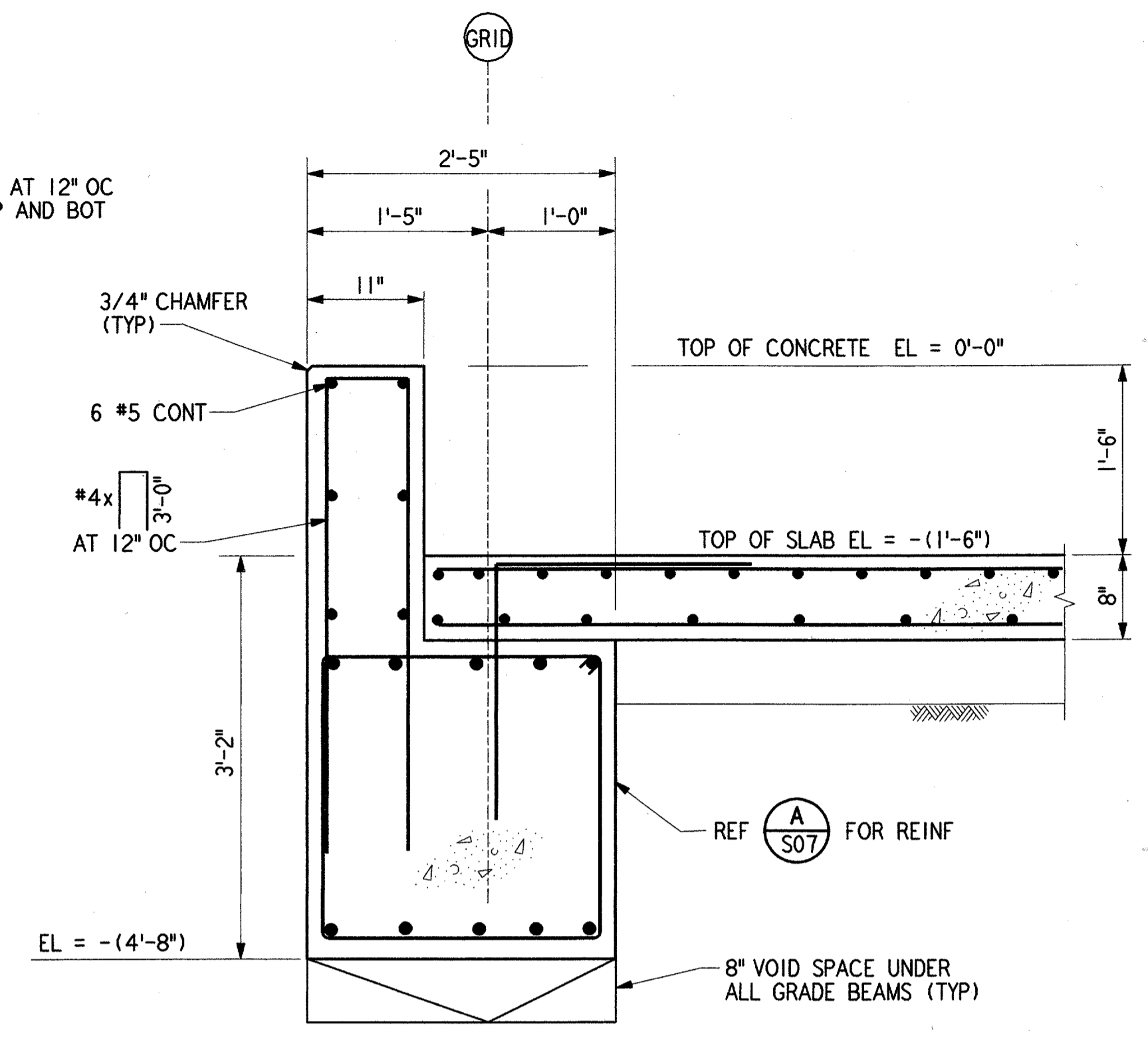
2

1

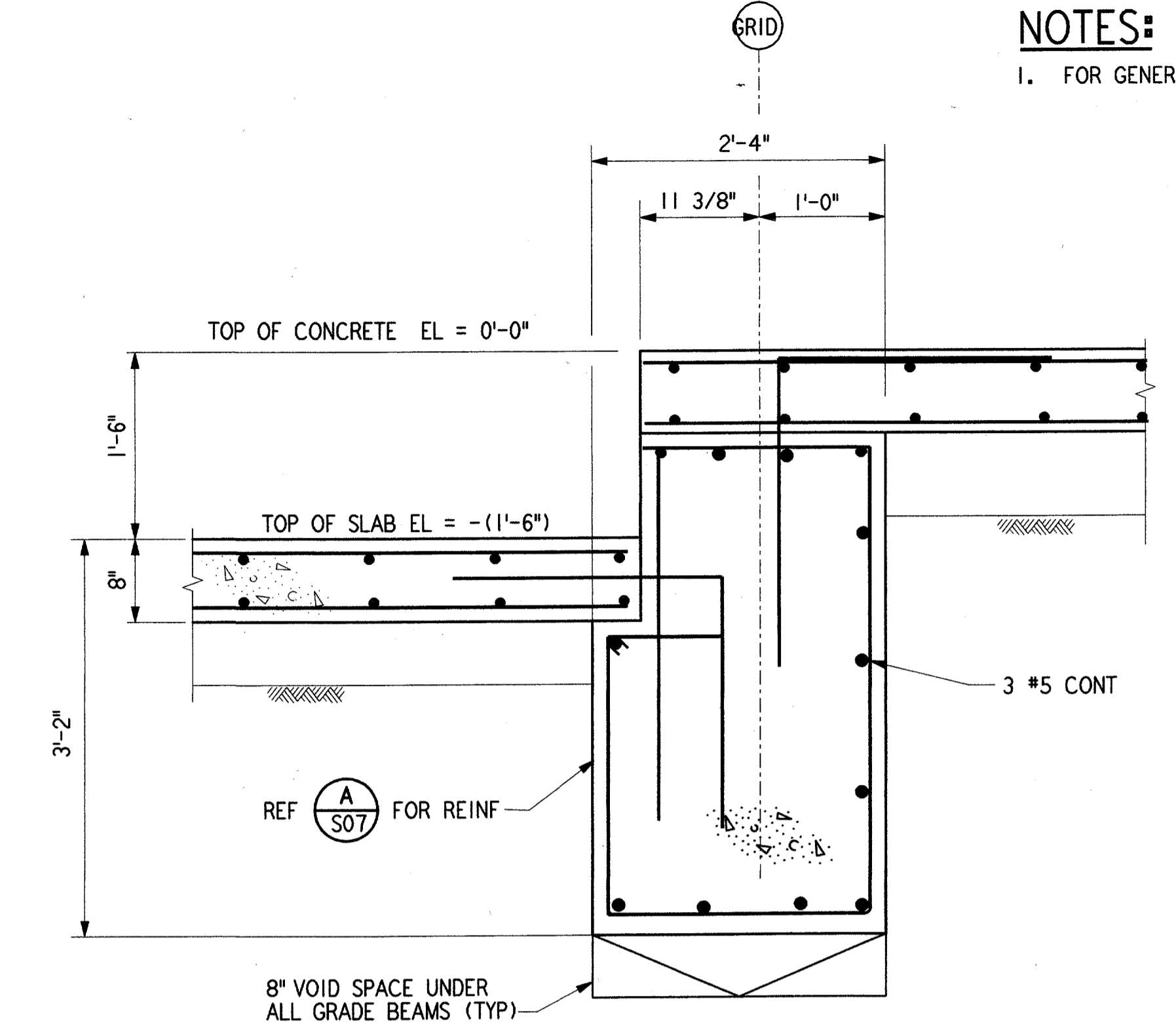
NOTES:
 1. FOR GENERAL NOTES SEE DRAWING S01.



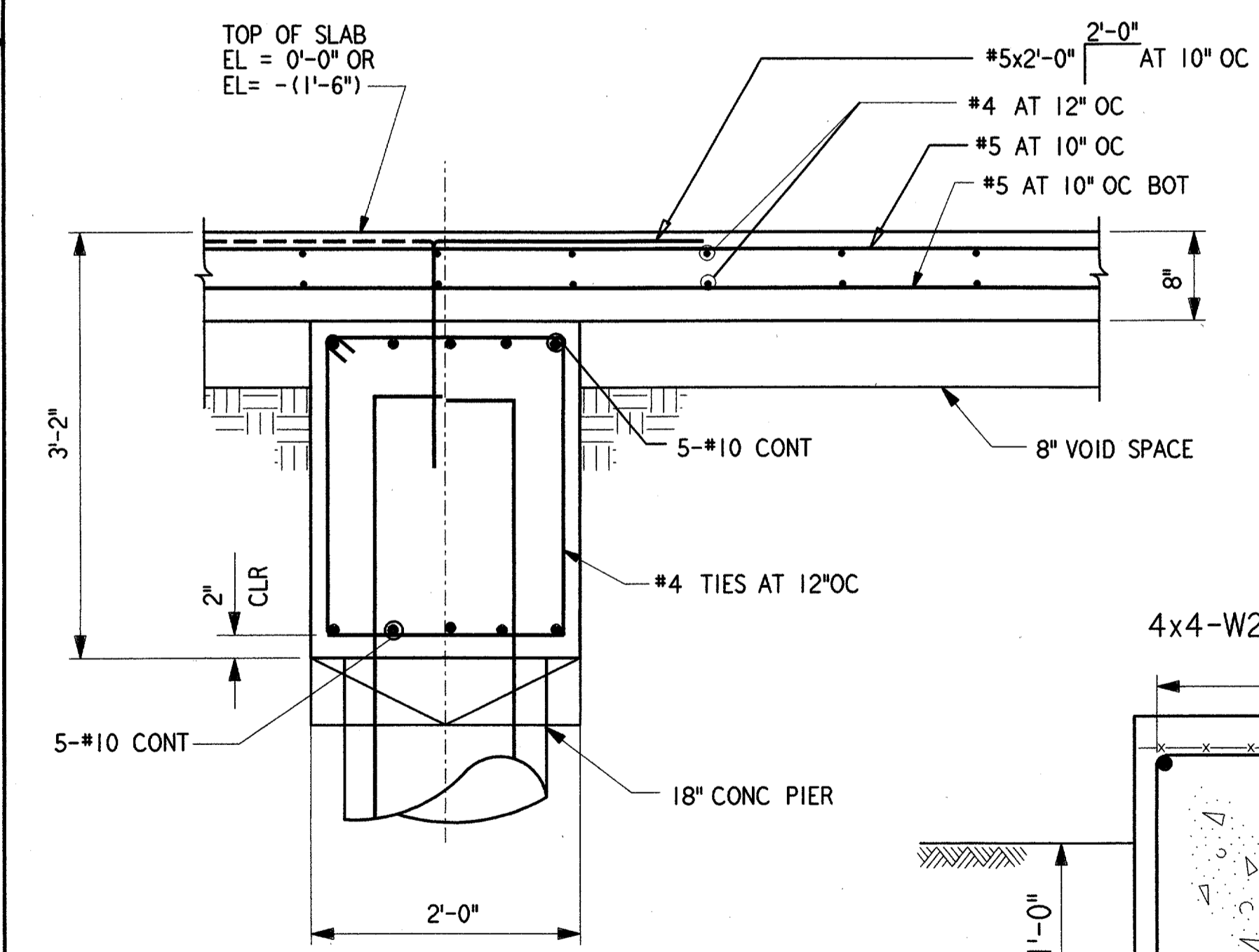
SECTION **A** REF S03
 1" = 1'-0"



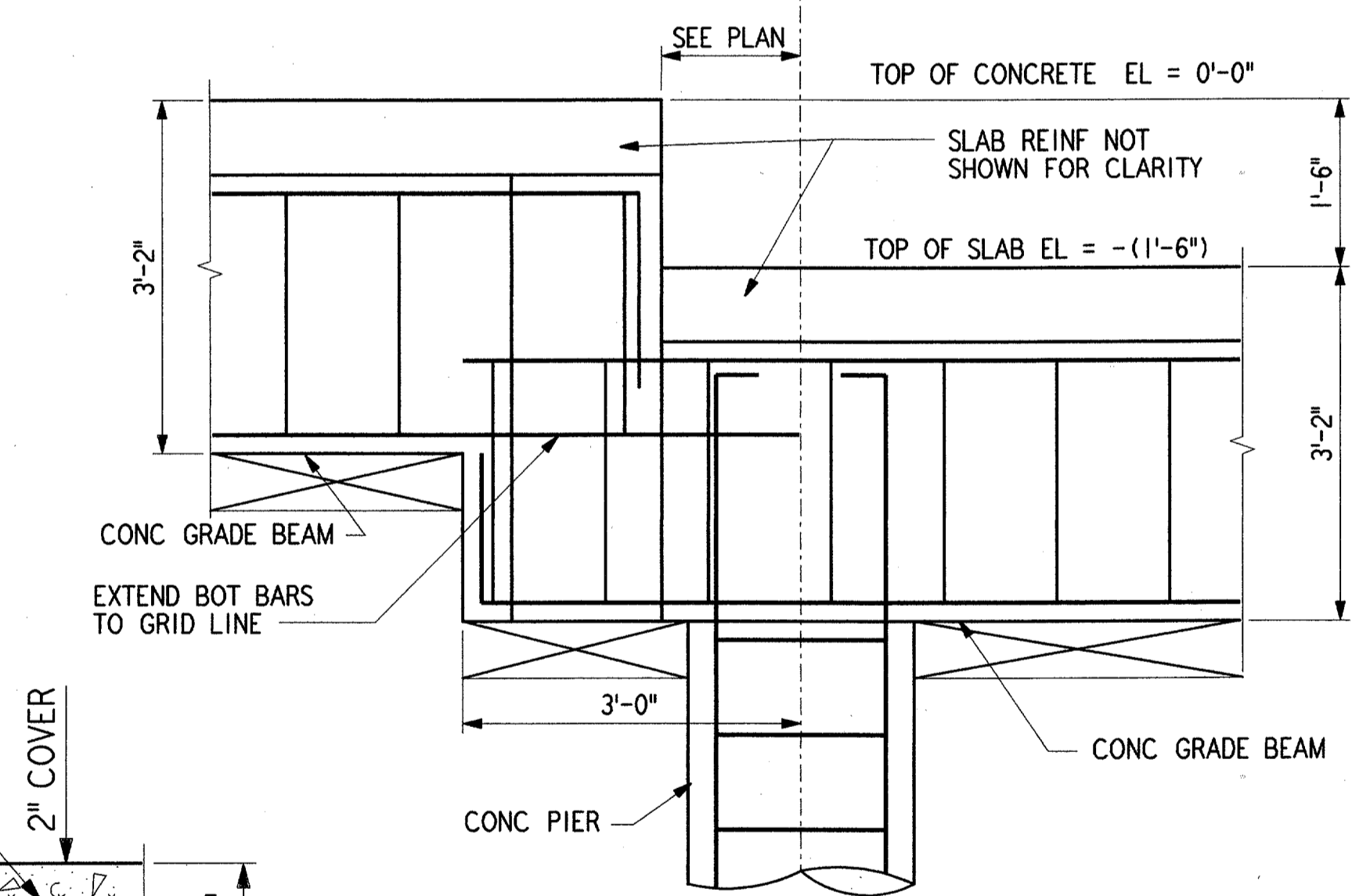
SECTION **B** REF S03
 1" = 1'-0"



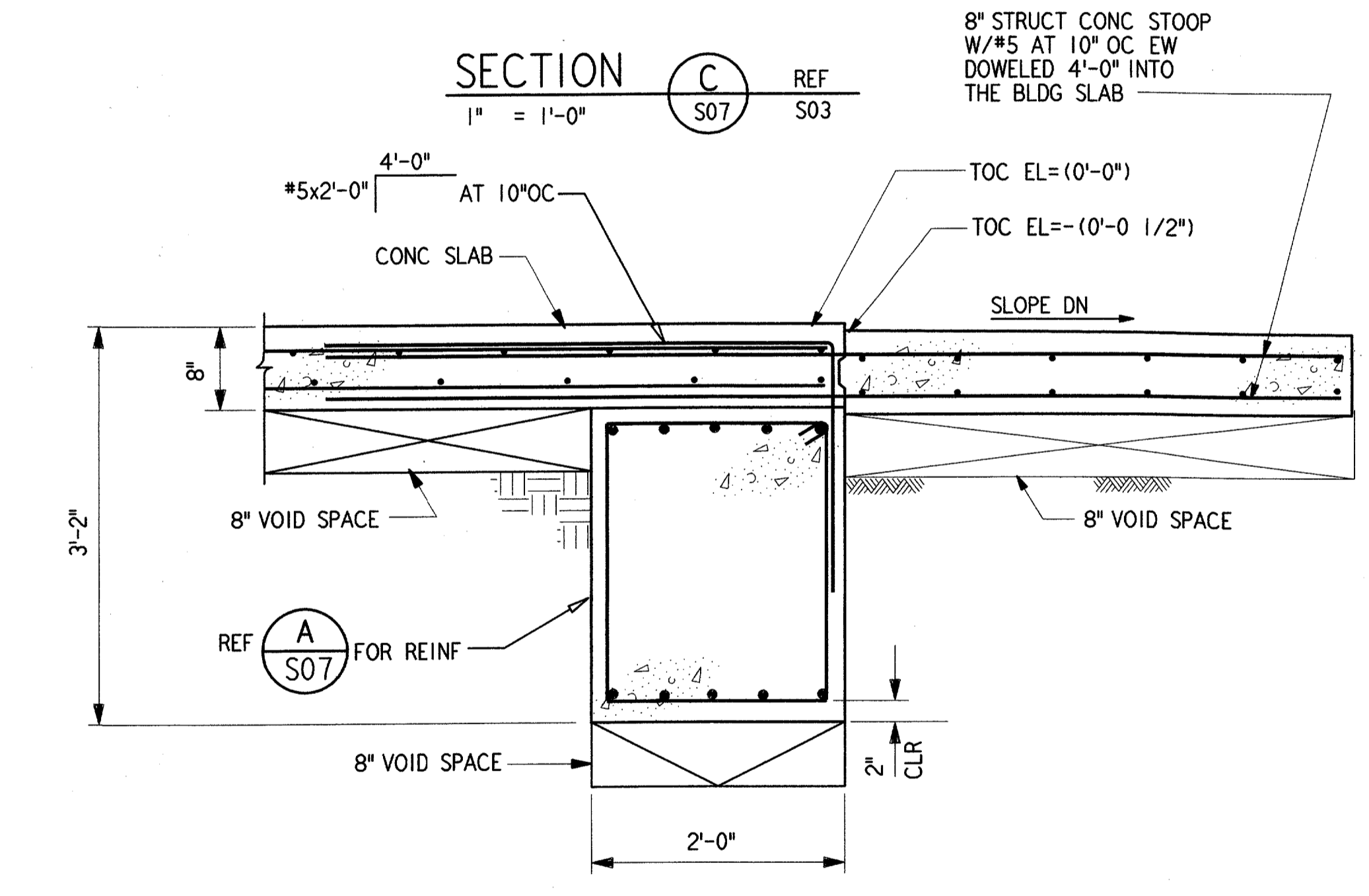
SECTION **C** REF S03
 1" = 1'-0"



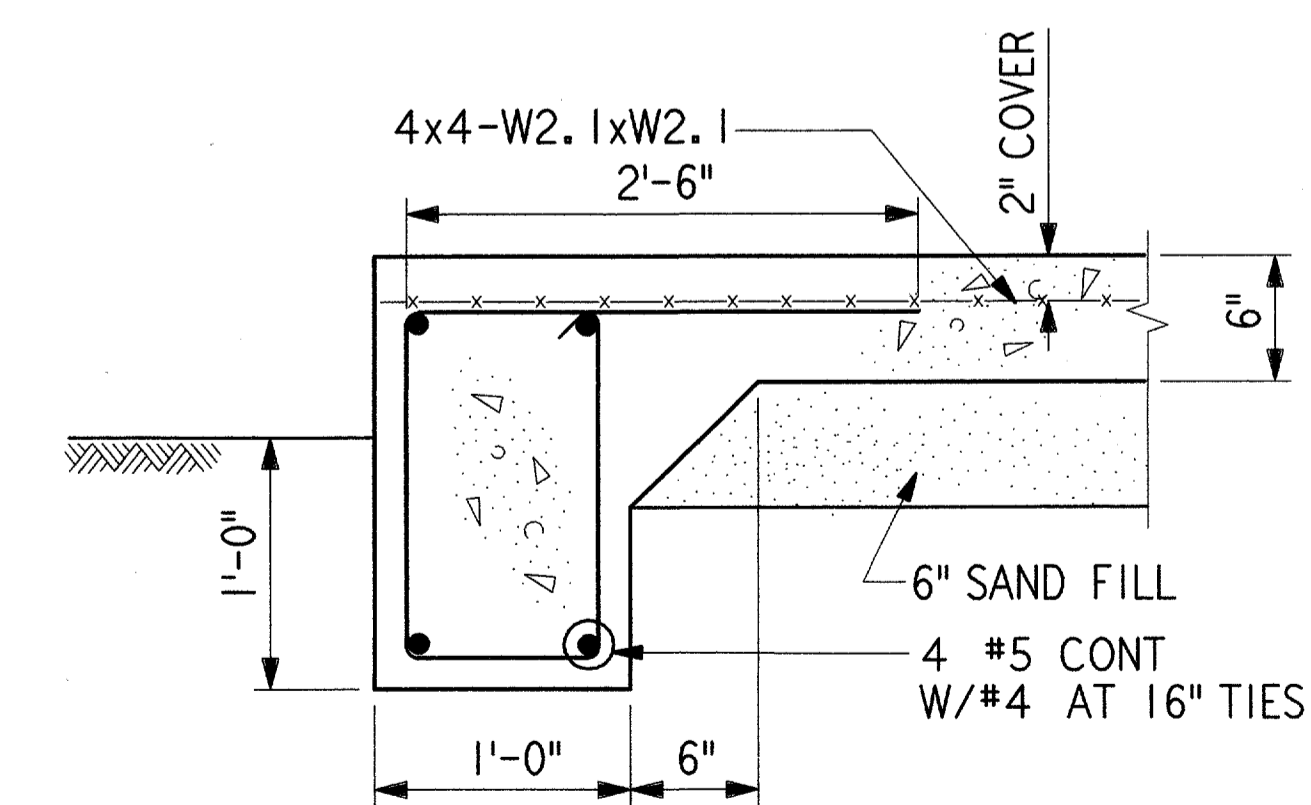
SECTION **D** REF S03
 1" = 1'-0"



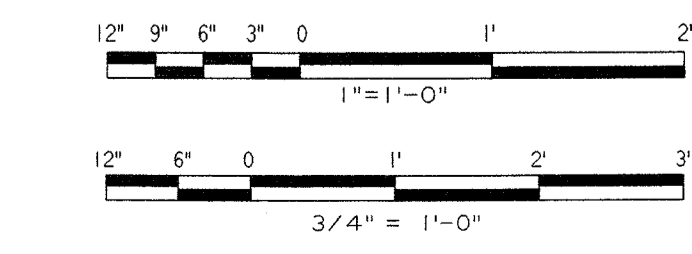
SECTION **E** REF S03
 3/4" = 1'-0"



SECTION **F** REF S03
 3/4" = 1'-0"



TYPICAL EQUIPMENT PAD
 SECTION **G** REF S03
 1" = 1'-0"



STATE OF TEXAS
 REGISTERED PROFESSIONAL ENGINEER
 NIKHIL B. PAREKH
 80393
 6/2/14

PARSONS
 DALLAS, TX

DEPARTMENT OF TRANSPORTATION
 FEDERAL AVIATION ADMINISTRATION
 SOUTHWEST REGION FORT WORTH, TEXAS

LOW ACTIVITY LEVEL
 AIRPORT TRAFFIC CONTROL TOWER

SECTIONS AND DETAILS
 BASE-EG BUILDING
 (ADDISON AIRPORT) TEXAS

ADDISON
 SUBMITTED: [Signature]
 APPROVED: [Signature]

DESIGNED BY: N. PAREKH
 REVIEWED BY: A. RAB
 ORIGINATOR: N. PAREKH

ISSUED BY: AIRWAY FACILITIES DIVISION
 DATE: 06-22-01
 DRAWING NUMBER: ADS-ATCT- S07

S07

FILENAME: