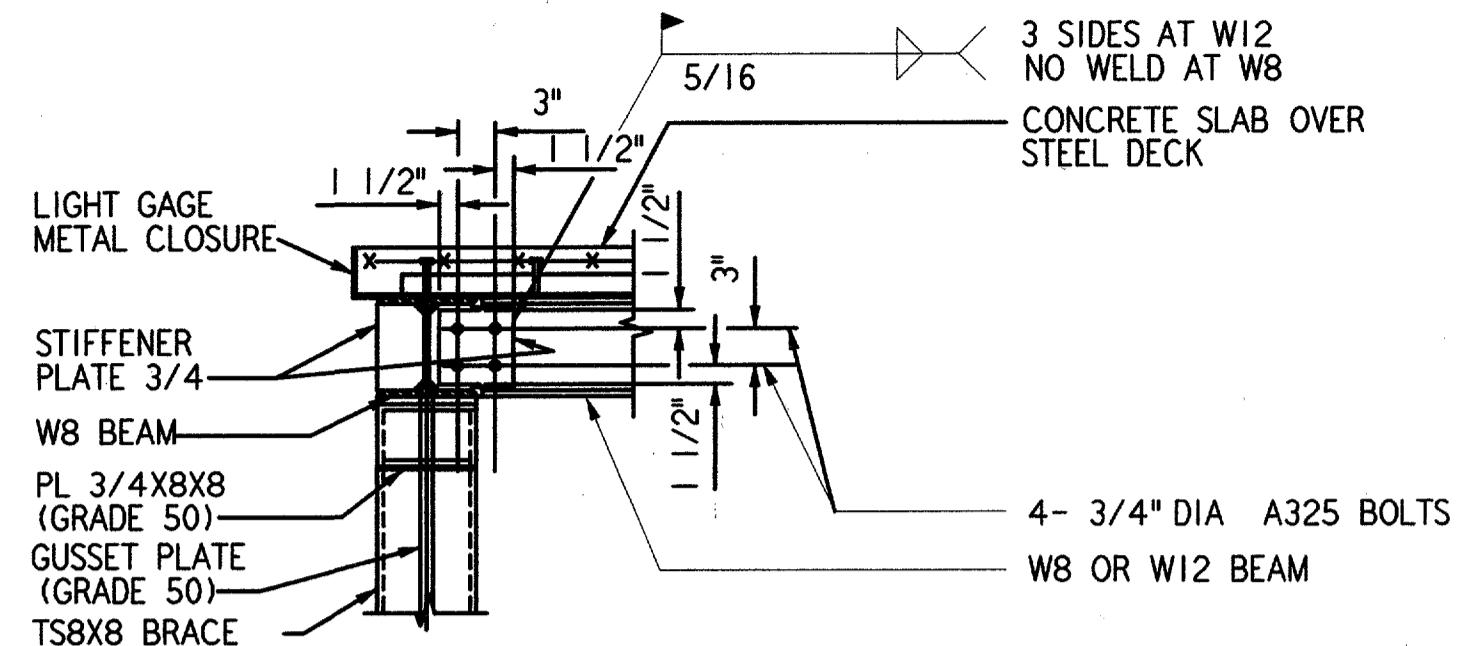
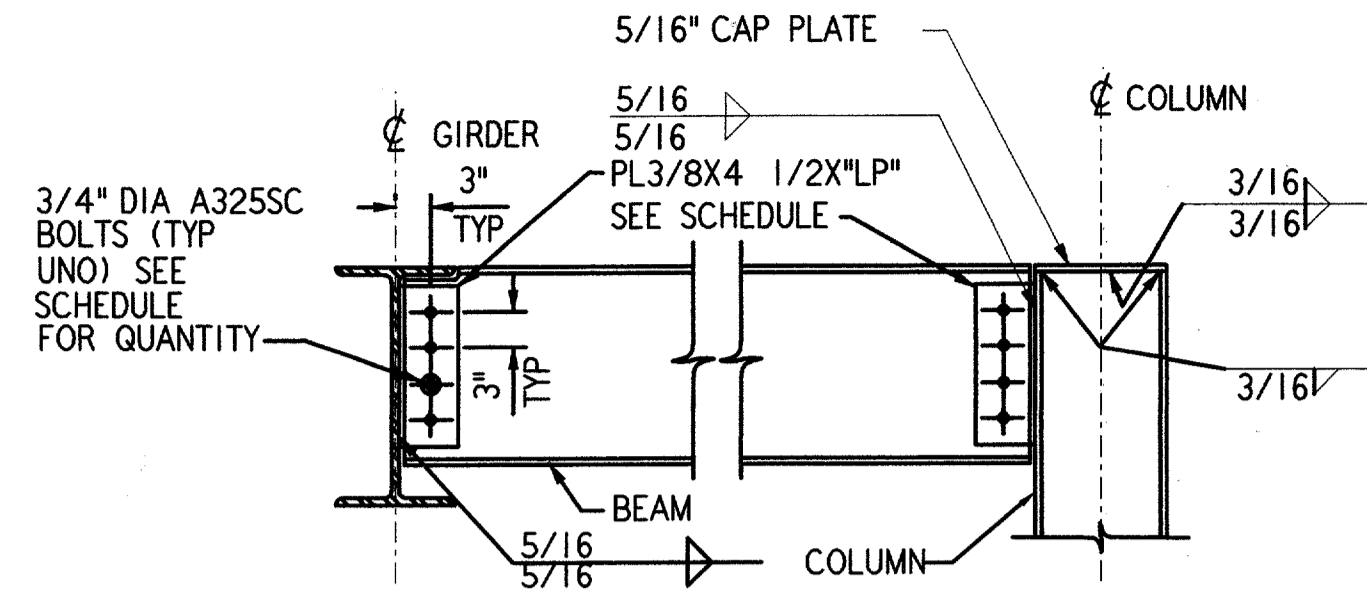


**COLUMN SPLICE** (1) REF S10 S09  
3/4" = 1'-0"

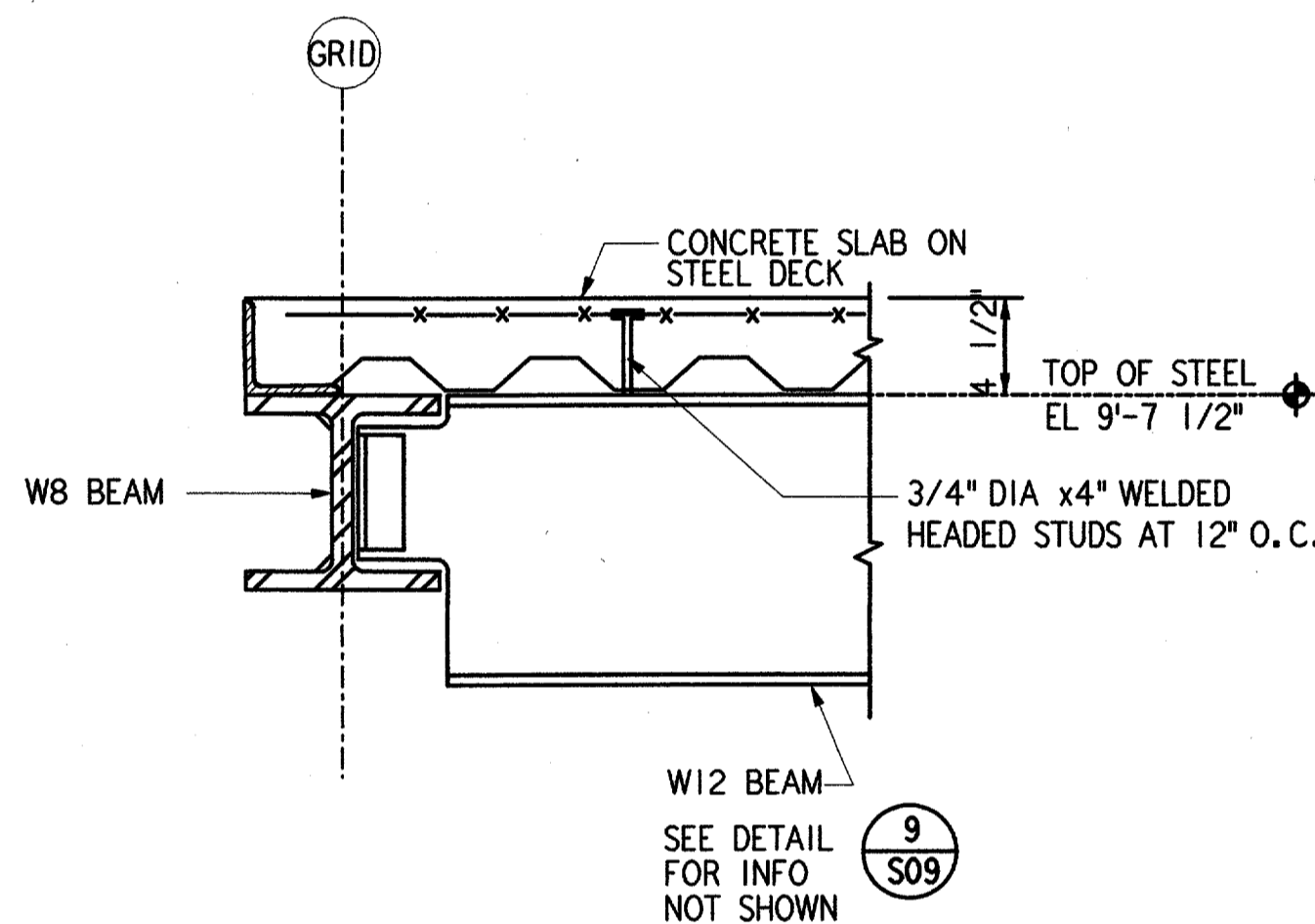
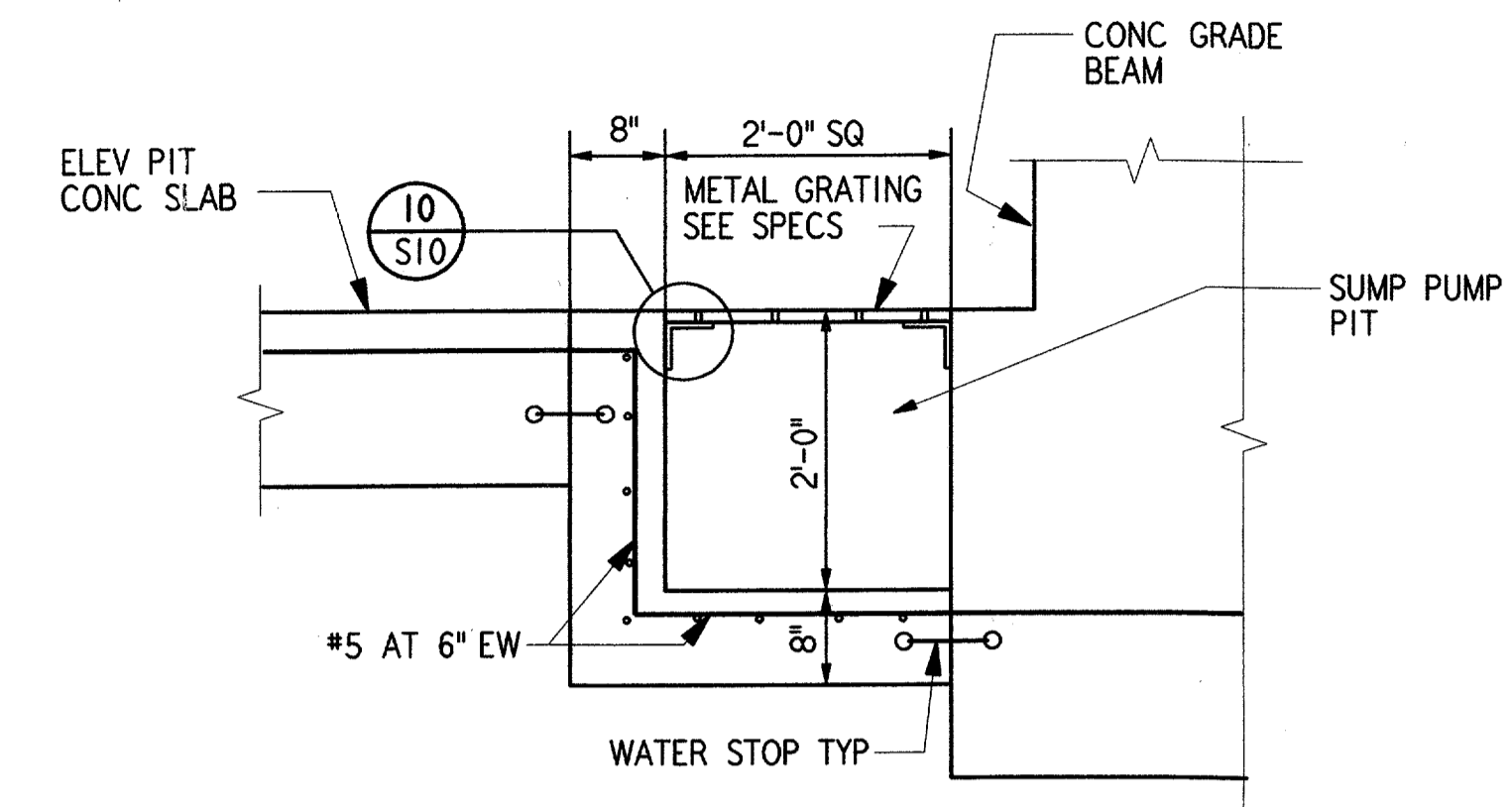


**BEAM CONNECTION AT LINK BEAM** (2) REF S10 S09  
3/4" = 1'-0"

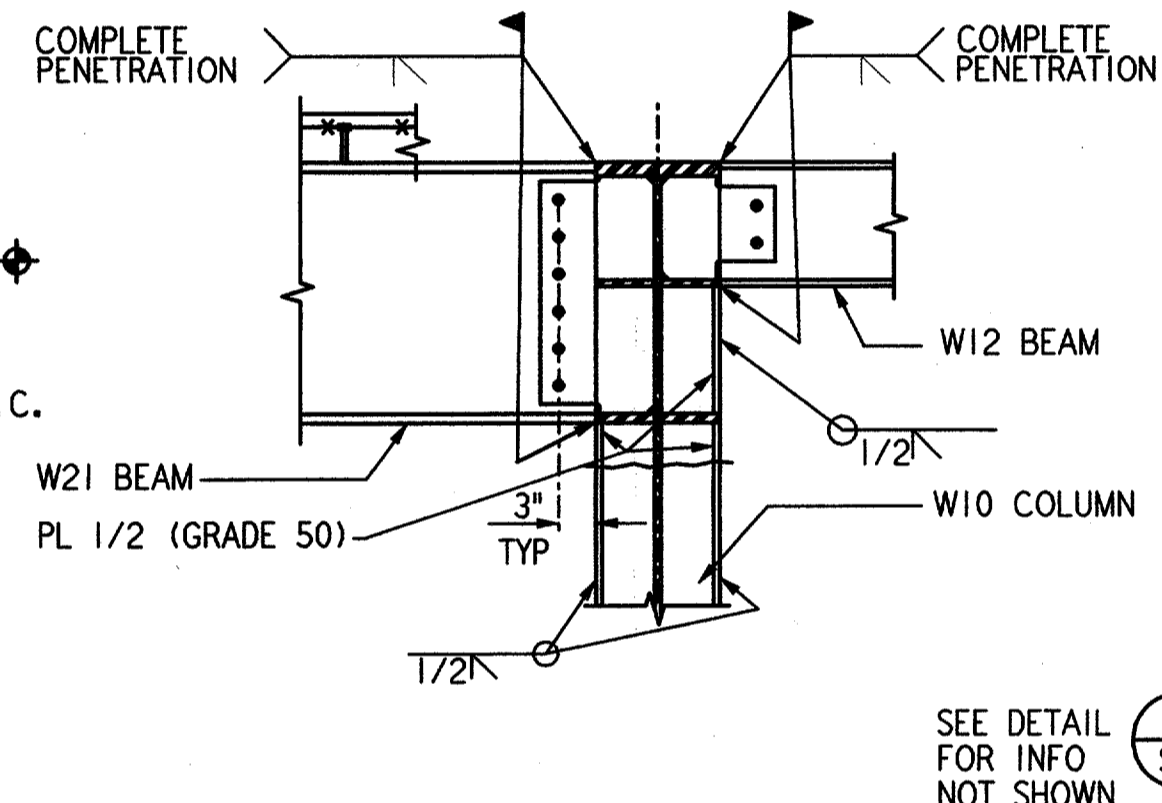


BEAM SIZE	NUMBER OF BOLTS	LENGTH "LP"
C8, W8, W10	2	6"
C12, W12	3	9"
W16	4	12"
W21	5	15"

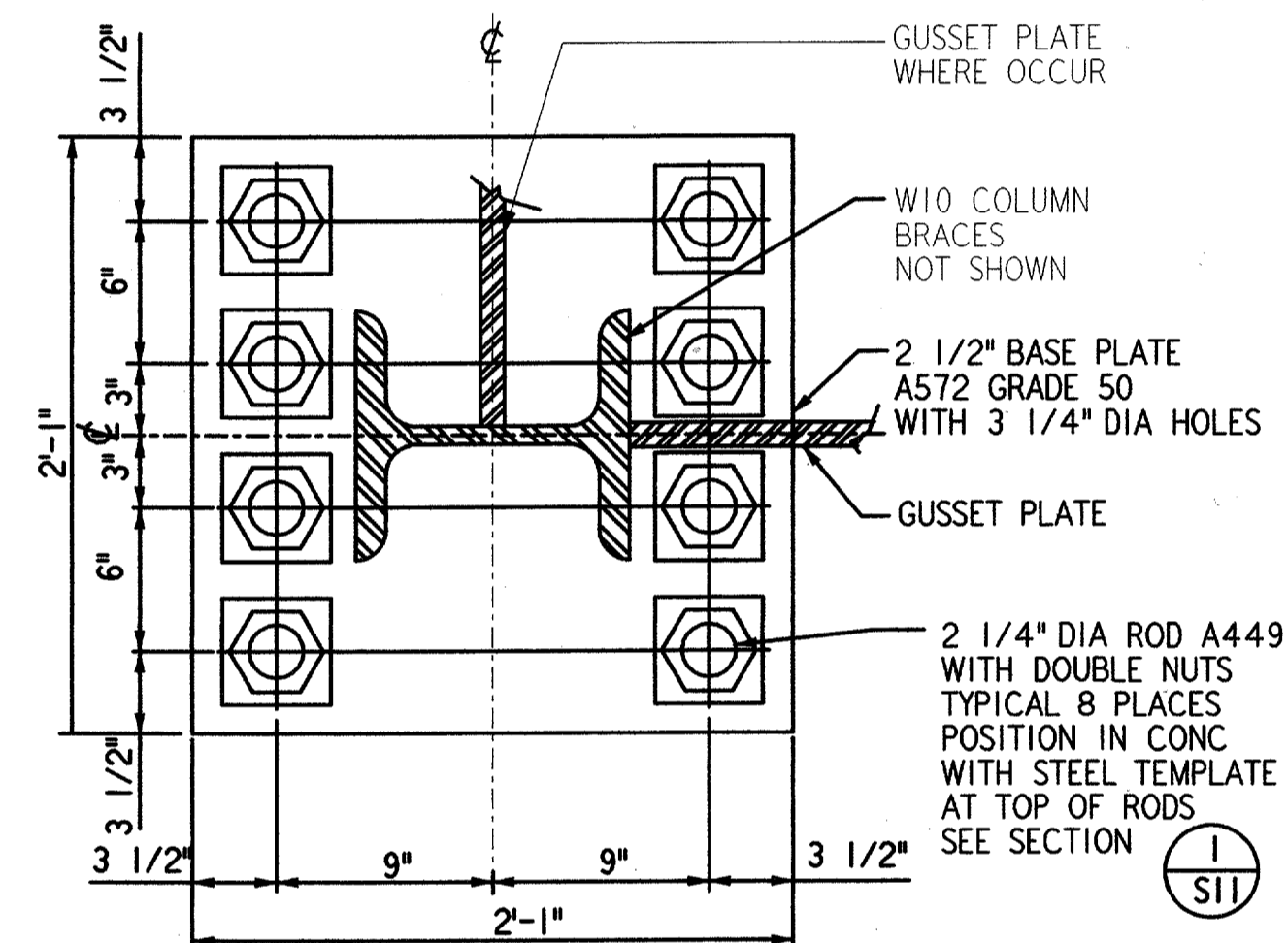
**BEAM CONNECTION DETAIL** (3) REF S10 S12  
NOT TO SCALE



**BEAM CONNECTION AT BEAM** (5) REF S10 S09  
3/4" = 1'-0"

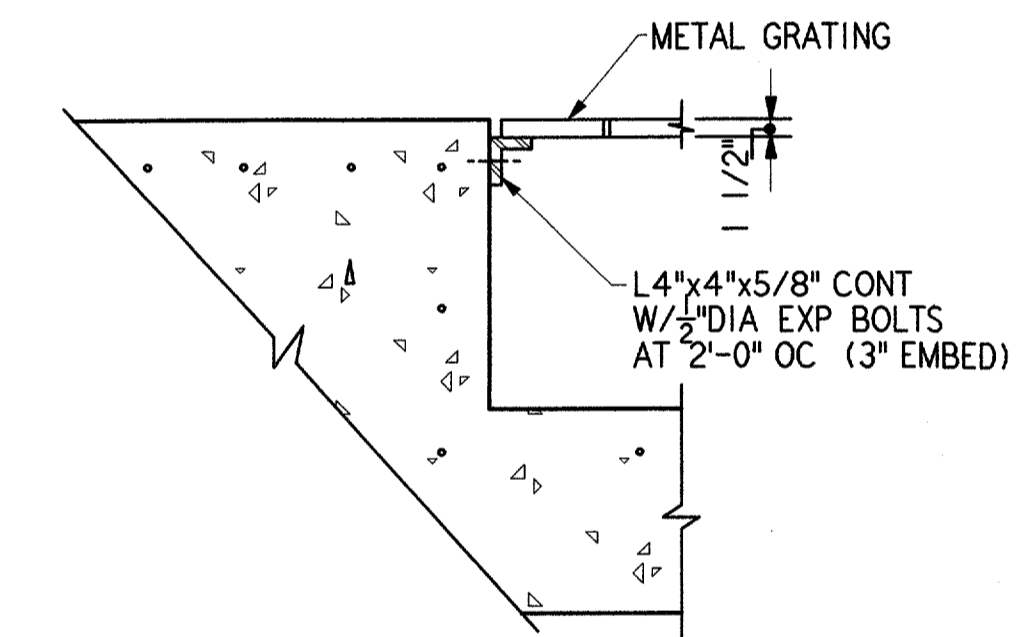


**BEAM TO COLUMN MOMENT CONNECTION** (6) REF S10 S05 S09 S10  
3/4" = 1'-0"

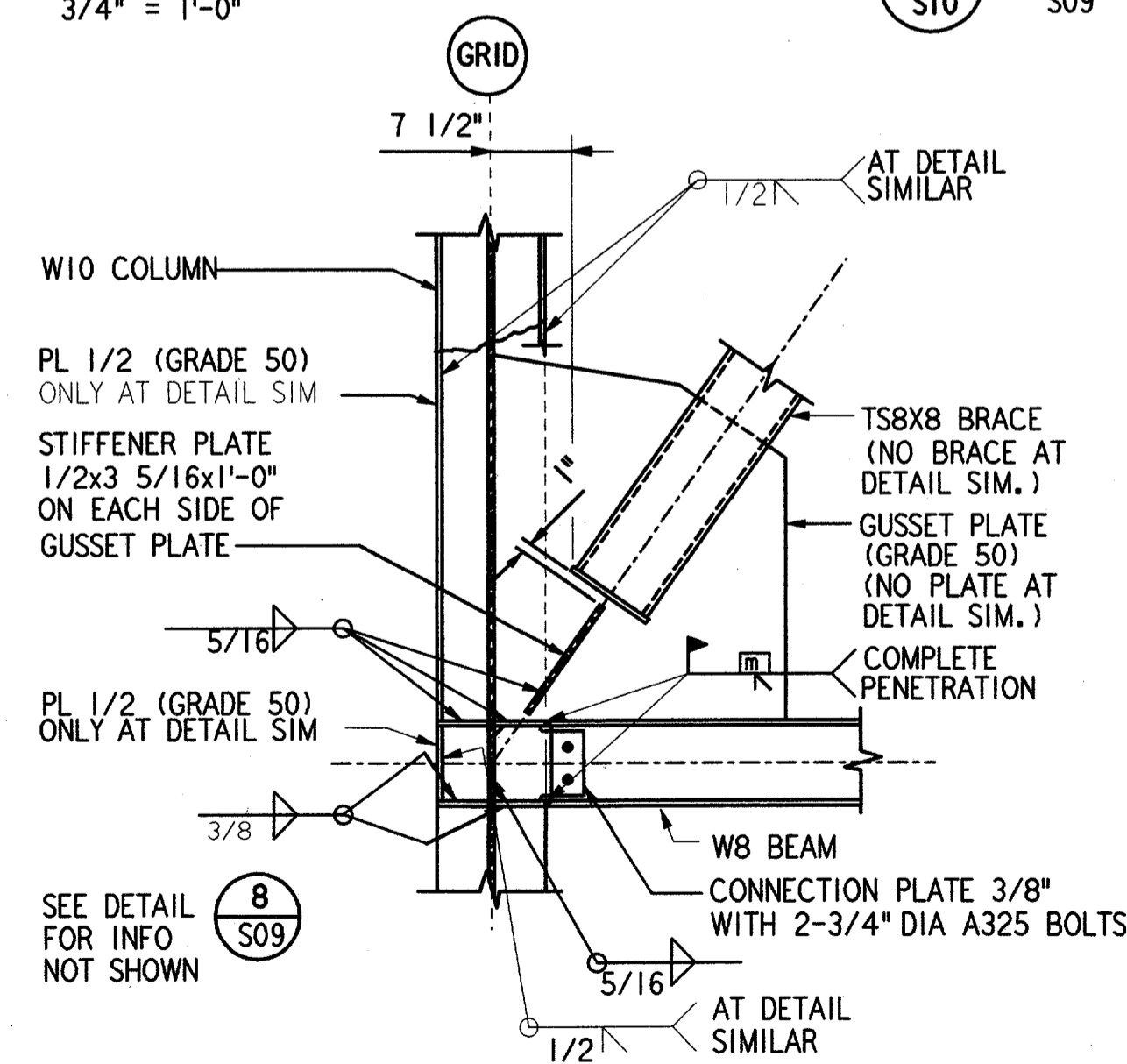


**COLUMN BASE PLATE PLAN** (7) REF S10 S04 S09  
1 1/2" = 1'-0"

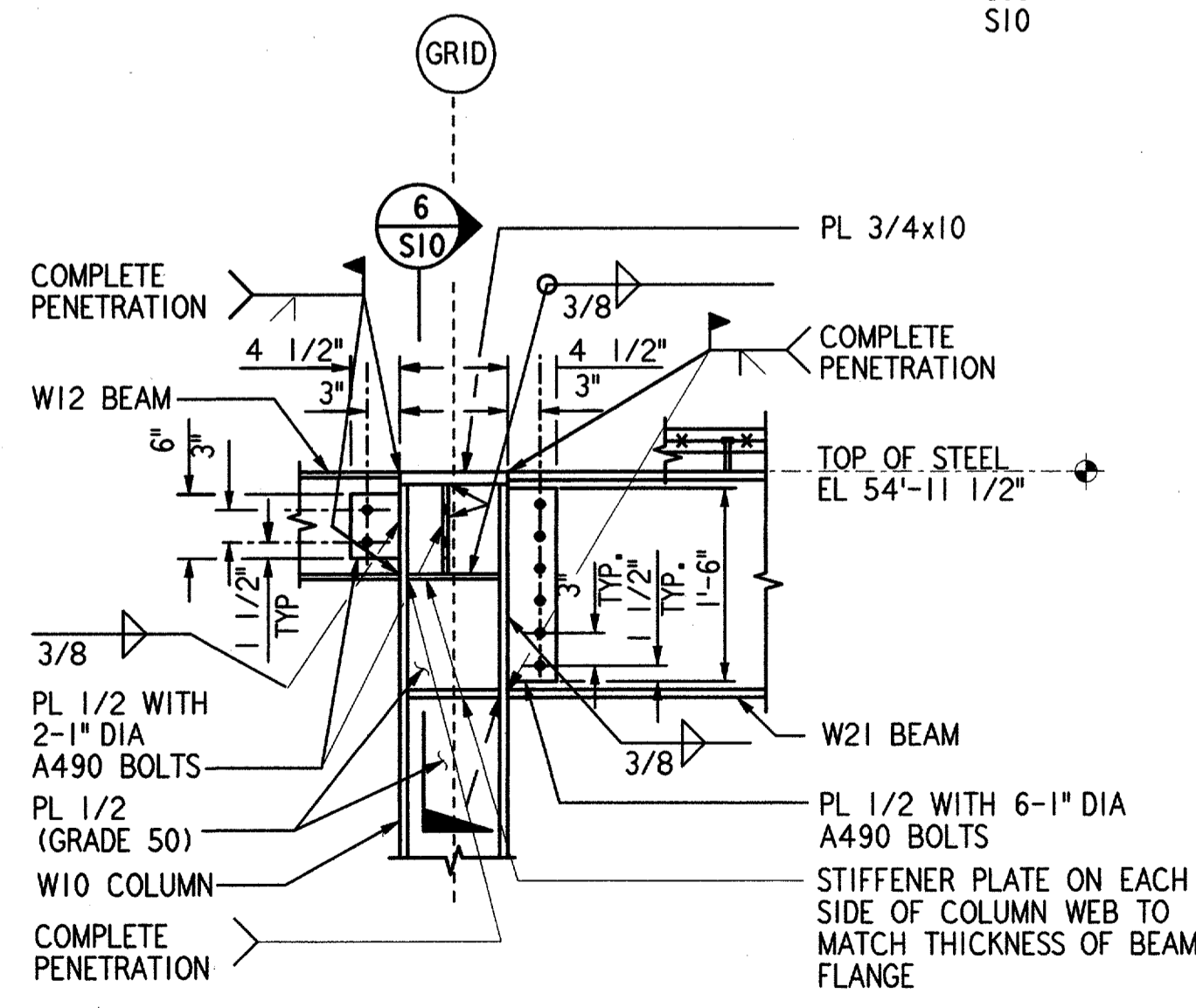
**SECTION** (4) REF S10 S04  
3/4" = 1'-0"



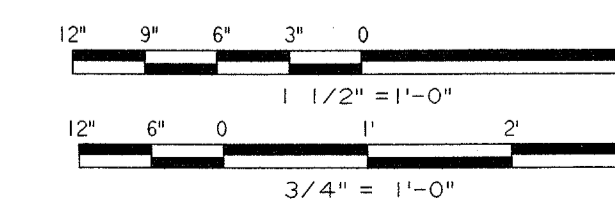
**DETAIL** (10) S10  
3/4" = 1'-0"



**BRACE CONNECTION AT COLUMN AND BEAM** (8) REF S10 S09  
3/4" = 1'-0"



**BEAM TO COLUMN MOMENT CONNECTION** (9) REF S10 S05 S09 S10  
3/4" = 1'-0"



REV. DATE DESCRIPTION DFTG. CHECKED

DESIGNED BY: NIKHIL B. PAREKH  
REGISTERED PROFESSIONAL ENGINEER  
STATE OF TEXAS  
6/22/01

PARSONS  
DALLAS, TX

DEPARTMENT OF TRANSPORTATION  
FEDERAL AVIATION ADMINISTRATION  
SOUTHWEST REGION FORT WORTH, TEXAS

LOW ACTIVITY LEVEL  
AIRPORT TRAFFIC CONTROL TOWER

SECTIONS AND DETAILS  
ATCT

ADDISON (ADDISON AIRPORT) TEXAS

DESIGNED BY: A. RAB  
REVIEWED BY: N. PAREKH  
ORIG. DFT.: N. PAREKH  
FACILITY:

ISSUED BY: AIRWAY FACILITIES DIVISION  
DATE: 06-22-01  
DRAWING NUMBER: ADS-ATCT-S10

S10

FILENAME: