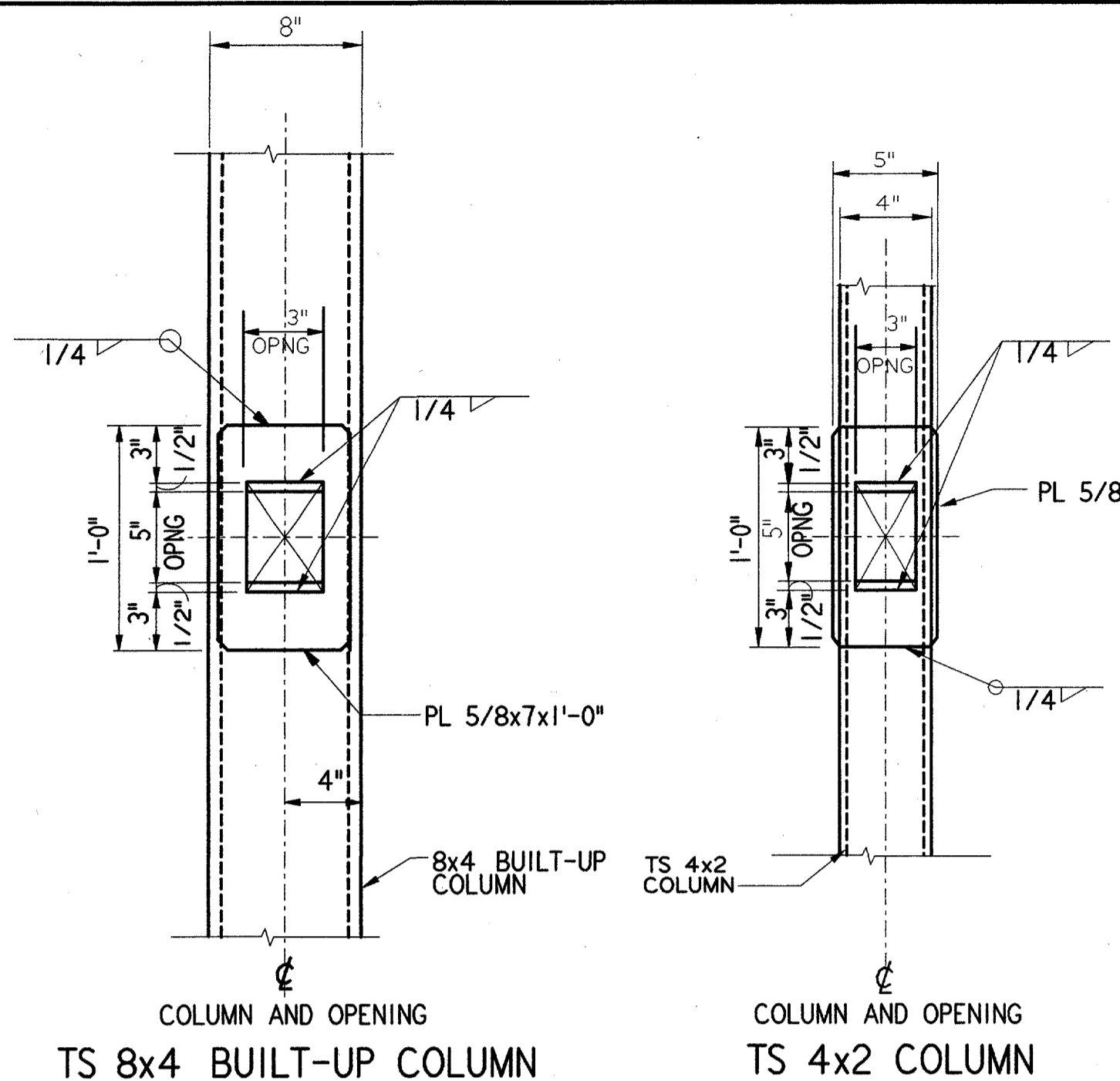
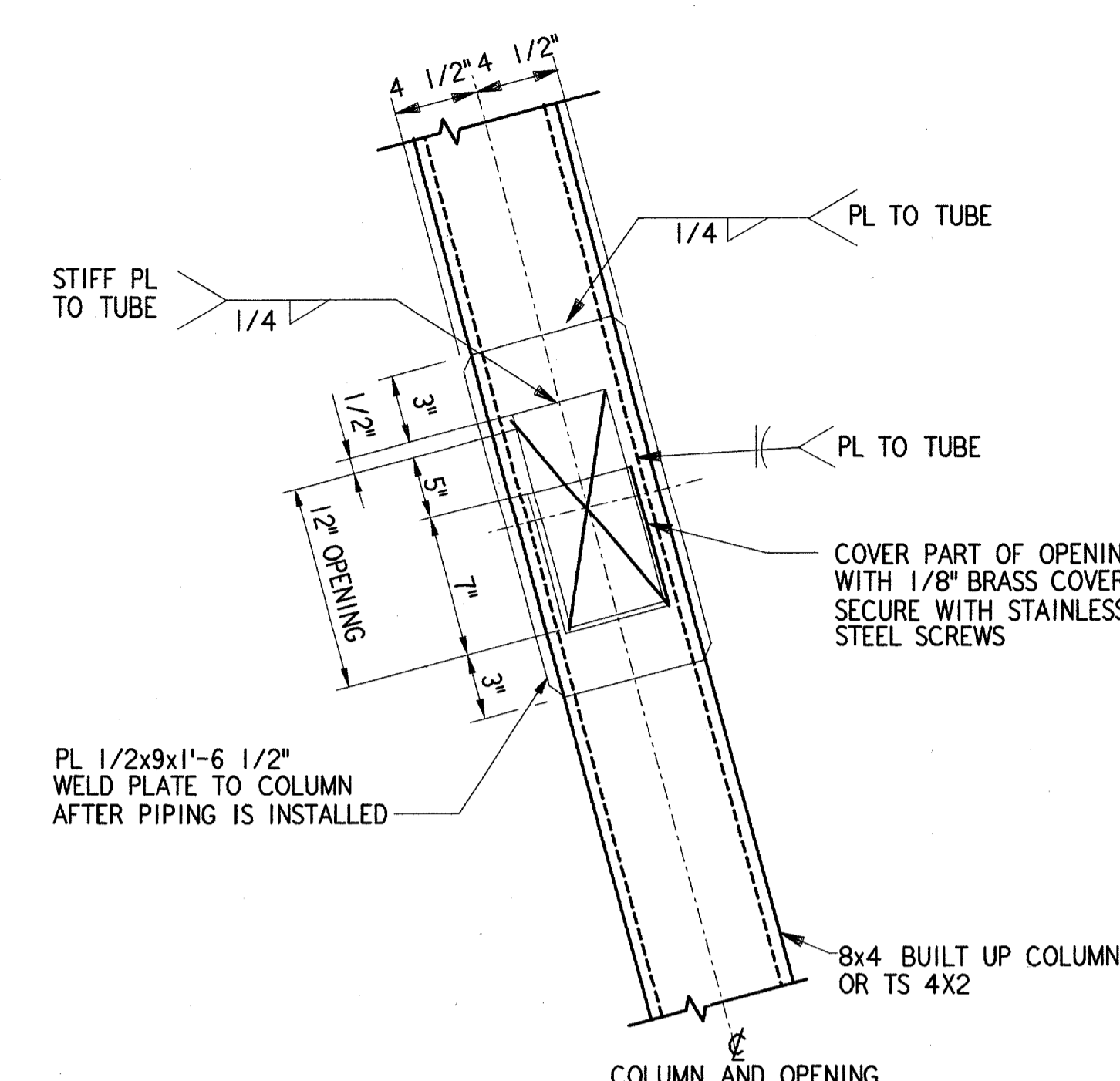


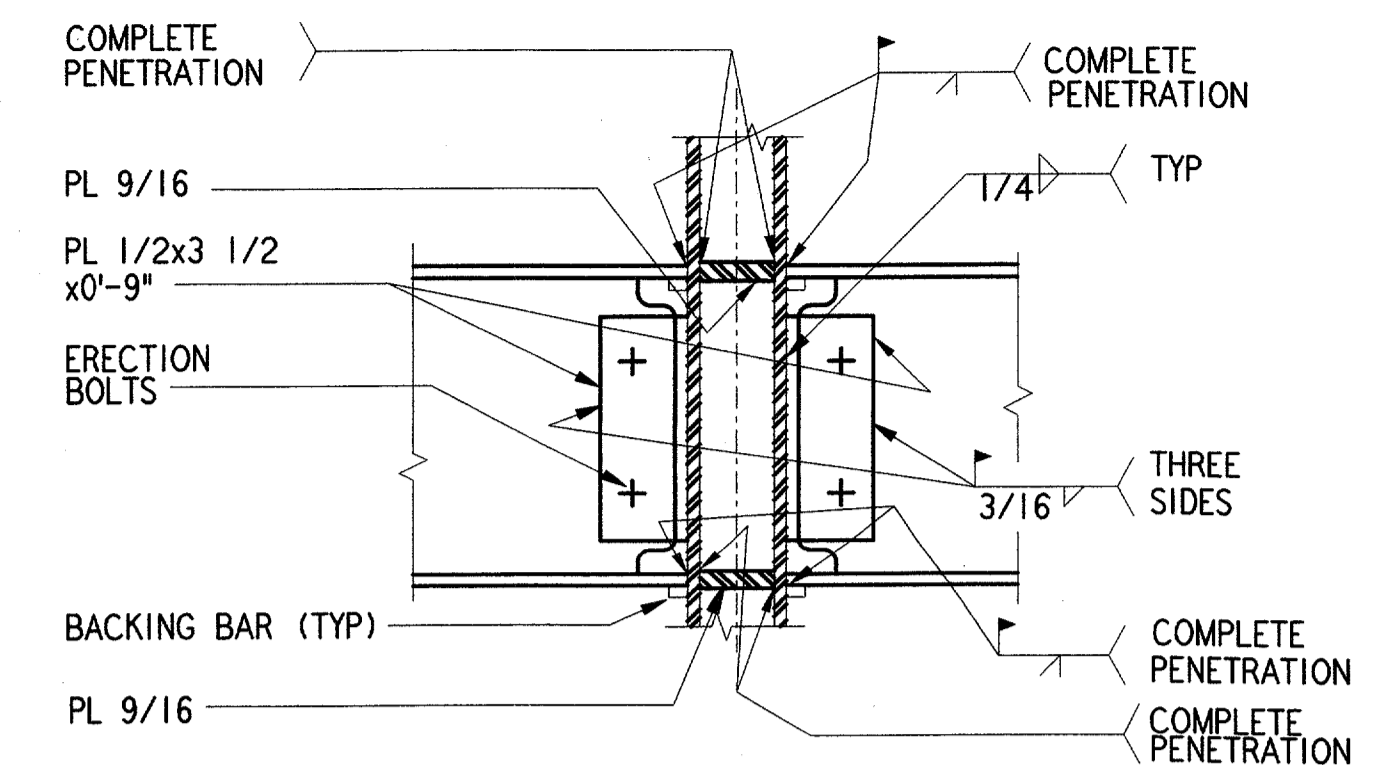
PLAN DETAIL (1) REF S12 S05 S11
1 1/2" = 1'-0"



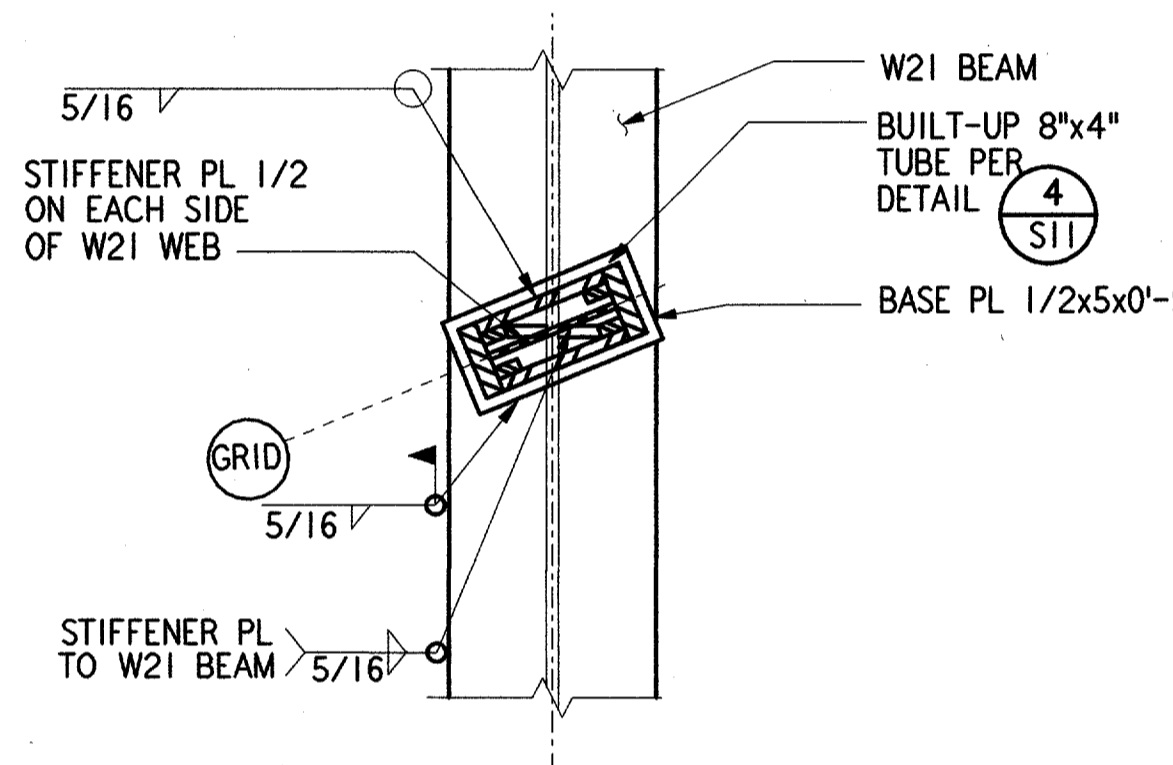
COLUMN AND OPENING
TS 8x4 BUILT-UP COLUMN TS 4x2 COLUMN



COLUMN AND OPENING



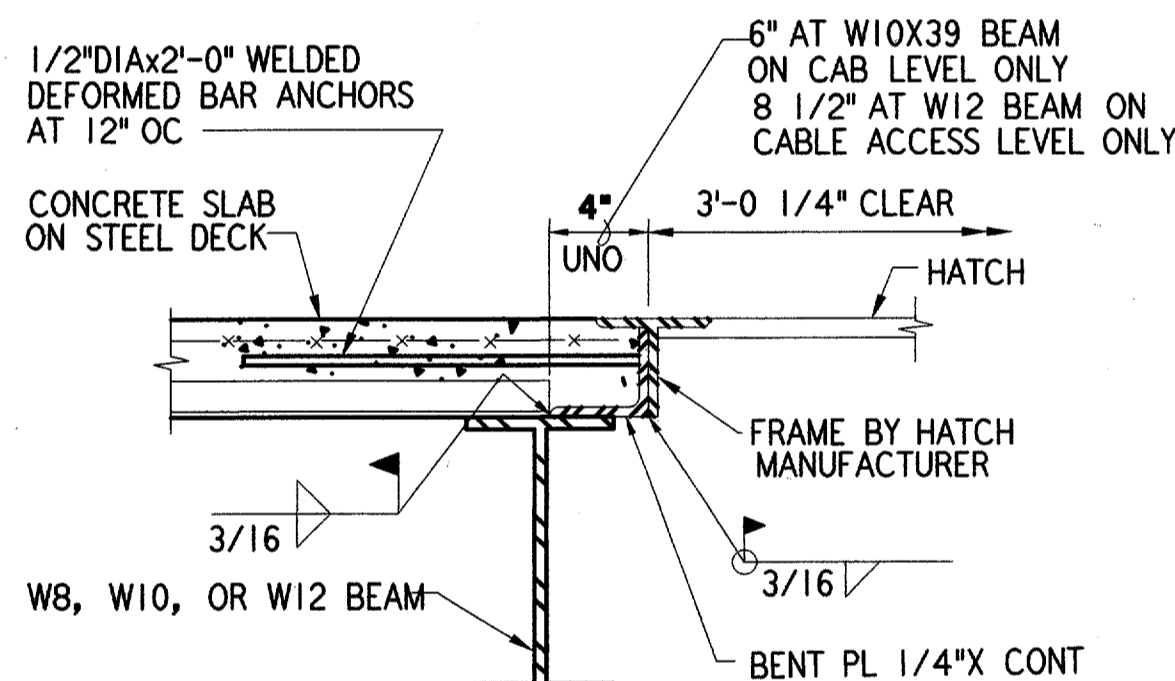
SECTION (4) REF S12
1 1/2" = 1'-0"



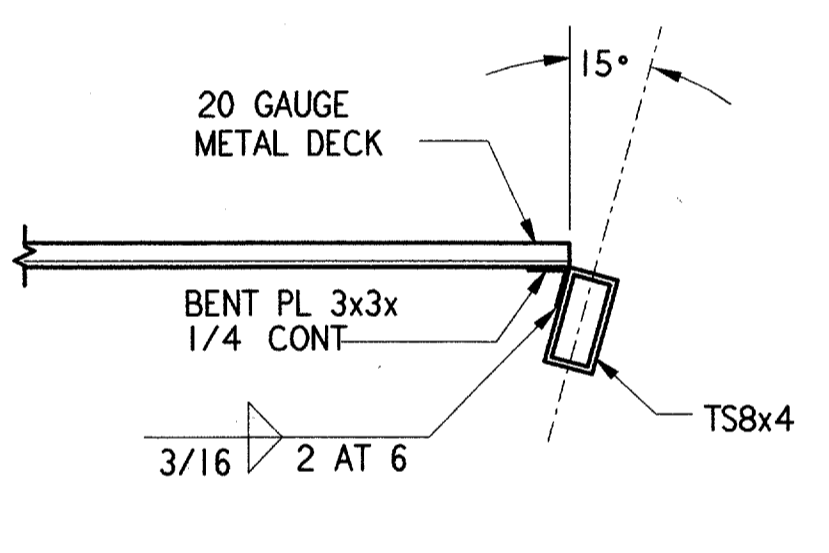
PLAN DETAIL (5) REF S12 S11
1 1/2" = 1'-0"

PLATE AT OPENING (2) REF S12 S11
NOT TO SCALE

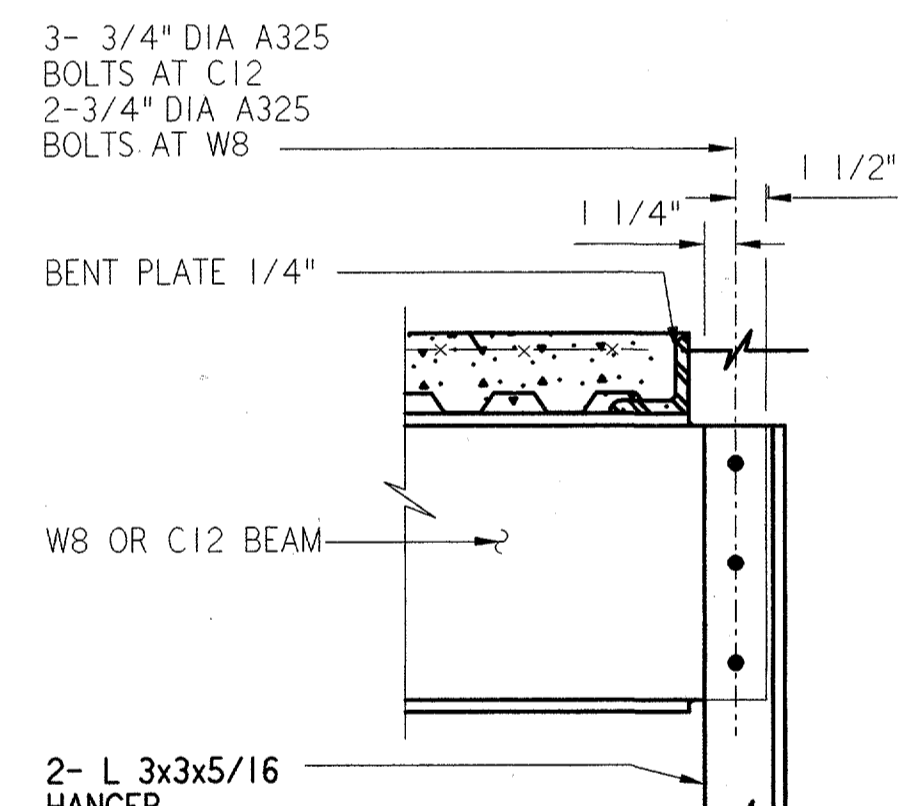
PLATE AT OPENING (3) REF S12 S11
NOT TO SCALE



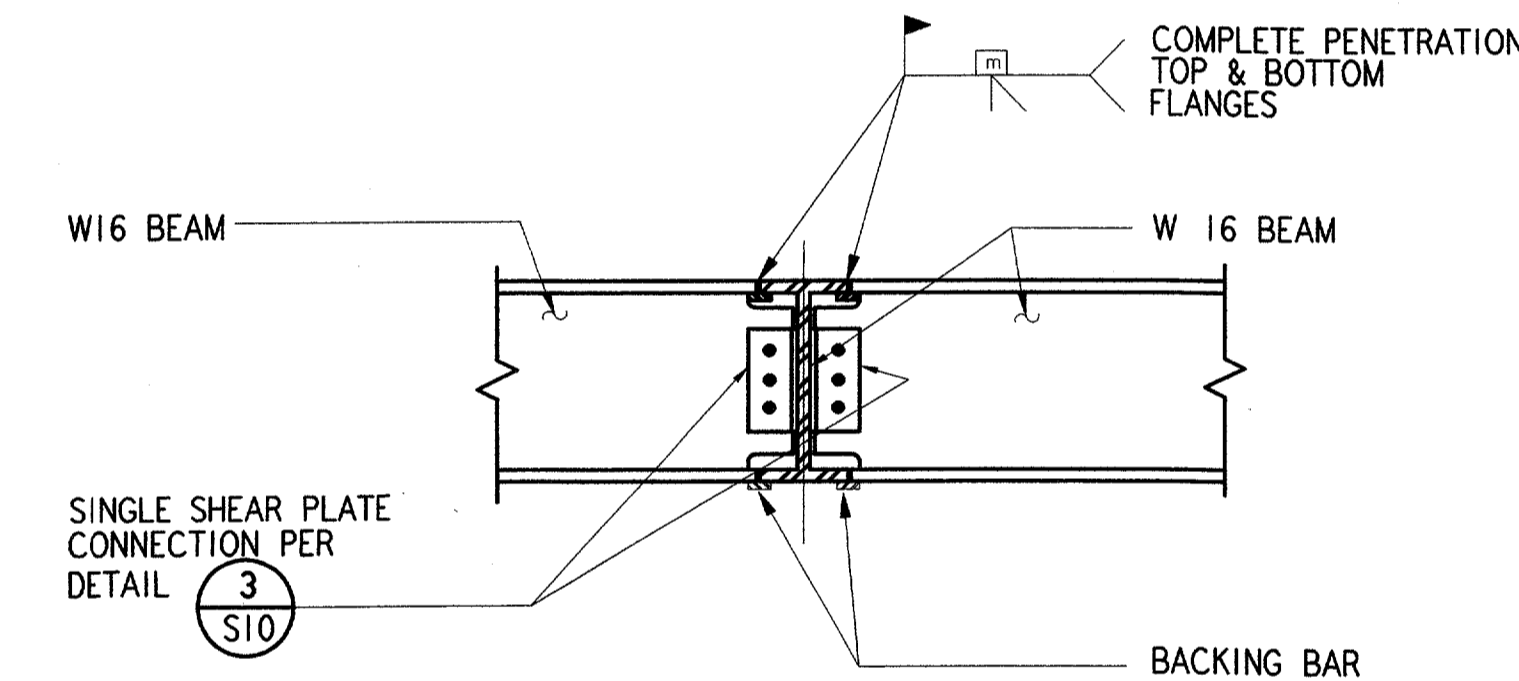
HATCH SUPPORT (6) REF S12 S05
1 1/2" = 1'-0"



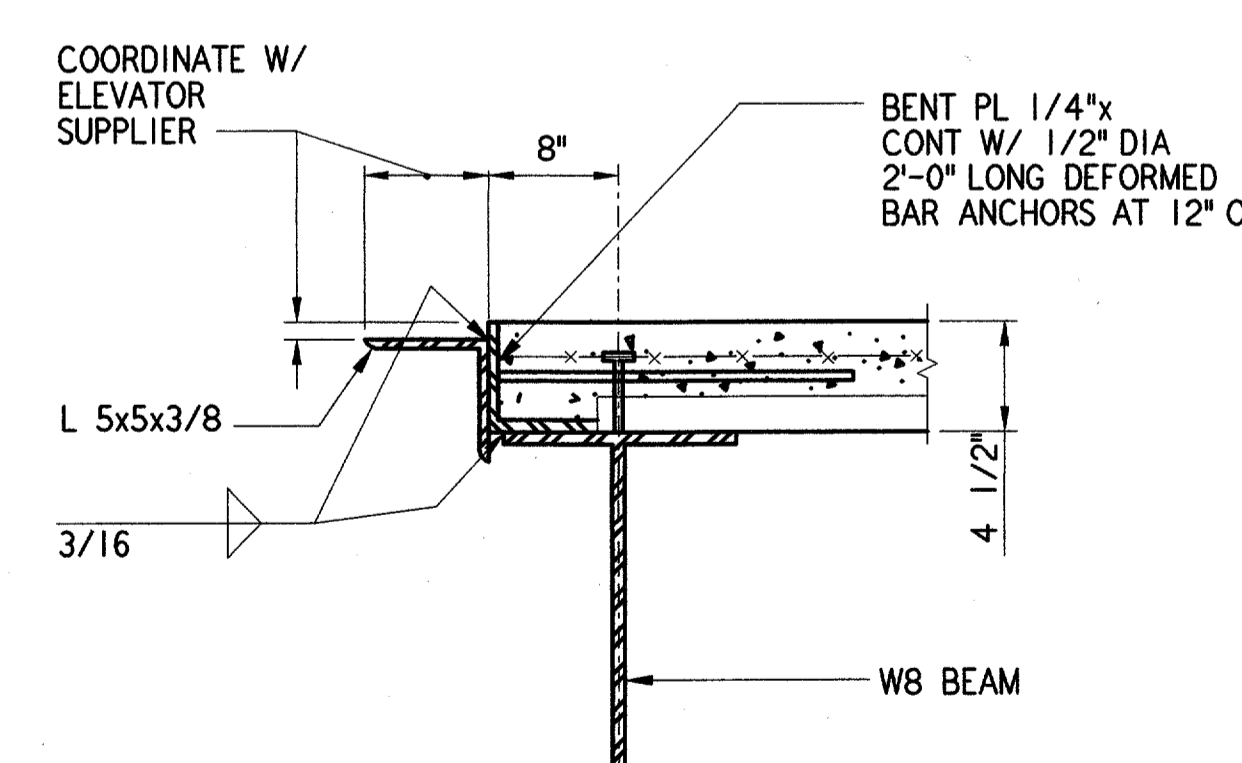
ROOF DECK SECTION (7) REF S12 S05
3/4" = 1'-0"



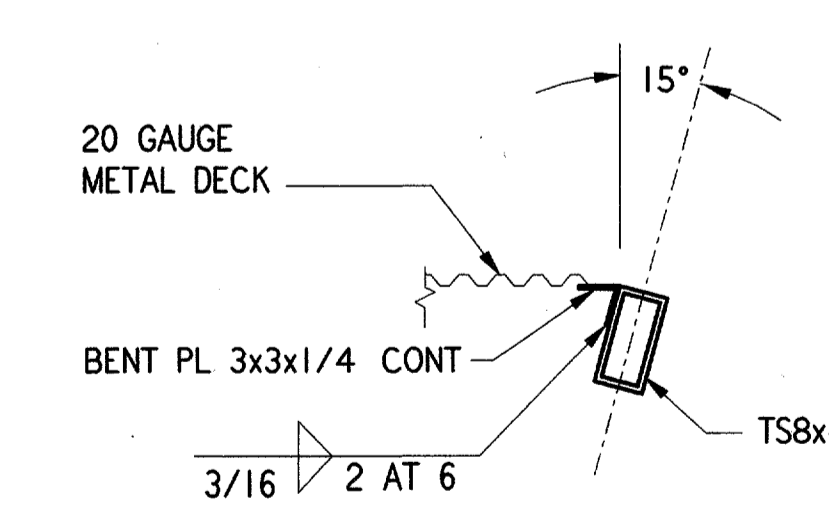
STAIR LANDING BEAM CONNECTION (8) REF S12 S04 S05
1 1/2" = 1'-0"



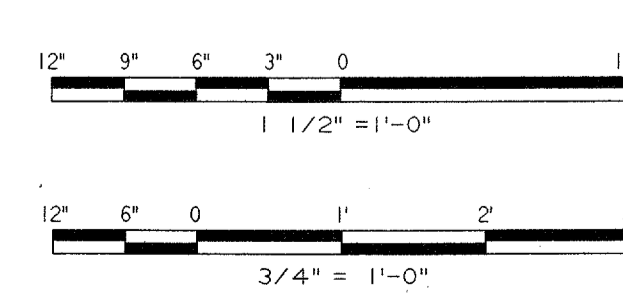
BEAM TO BEAM MOMENT CONNECTION (9) REF S12 S05
3/4" = 1'-0"



SECTION AT ELEVATOR OPENING (10) REF S12 S04 S05
1 1/2" = 1'-0"



ROOF DECK SECTION (11) REF S12 S05
3/4" = 1'-0"



REV.	DATE	DESCRIPTION	DFTG.	CHECKED
DALLAS, TX				

DEPARTMENT OF TRANSPORTATION
FEDERAL AVIATION ADMINISTRATION
SOUTHWEST REGION FORT WORTH, TEXAS

LOW ACTIVITY LEVEL
AIRPORT TRAFFIC CONTROL TOWER

SECTIONS AND DETAILS
ATCT

ADDISON (ADDISON AIRPORT) TEXAS

DESIGNED: A. RAB	ISSUED BY: AIRWAY FACILITIES DIVISION	DATE: 06-22-01	DRAWING NUMBER: ADS-ATCT- S12
REVIEWED: N. PAREKH	ORIG. DFT.: S. RAJPREEM	FACILITY:	

SUBMITTED: *Sampath* APPROVED: *Chris Colby*
SYSTEMS ENGINEER, ANI-640 MANAGER TERMINAL PLATFORM, ANI-640

S12
FILENAME: