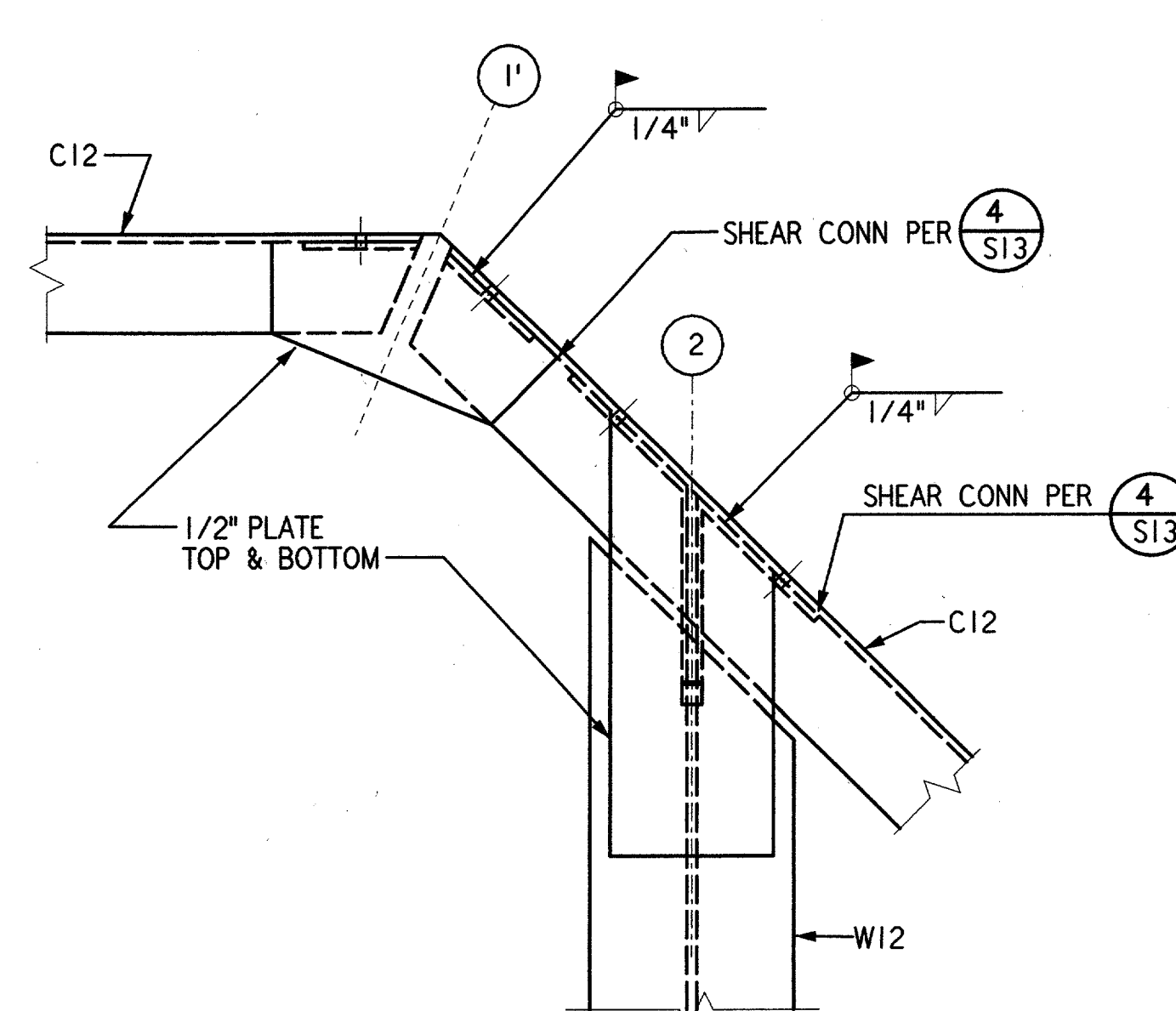
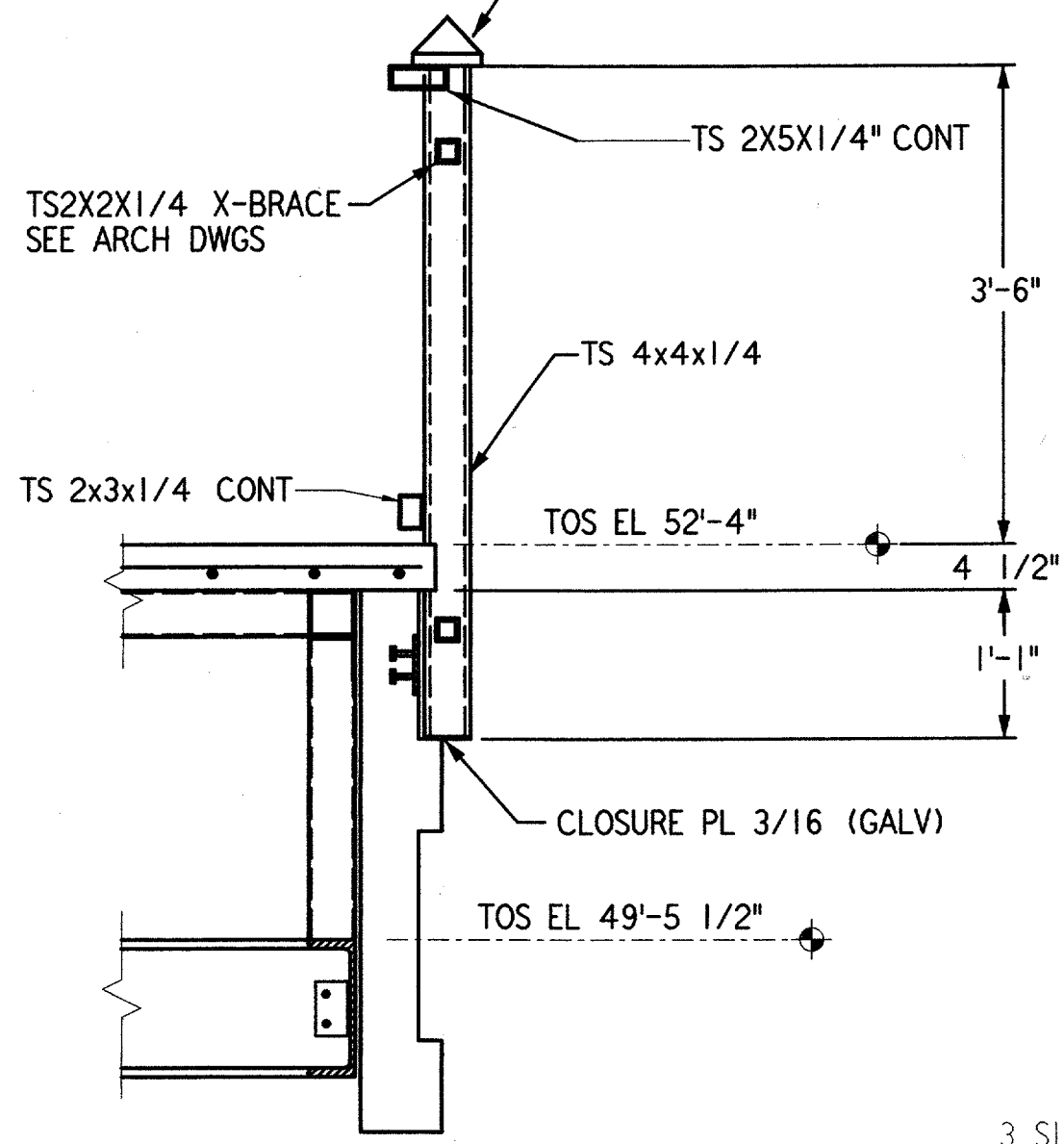


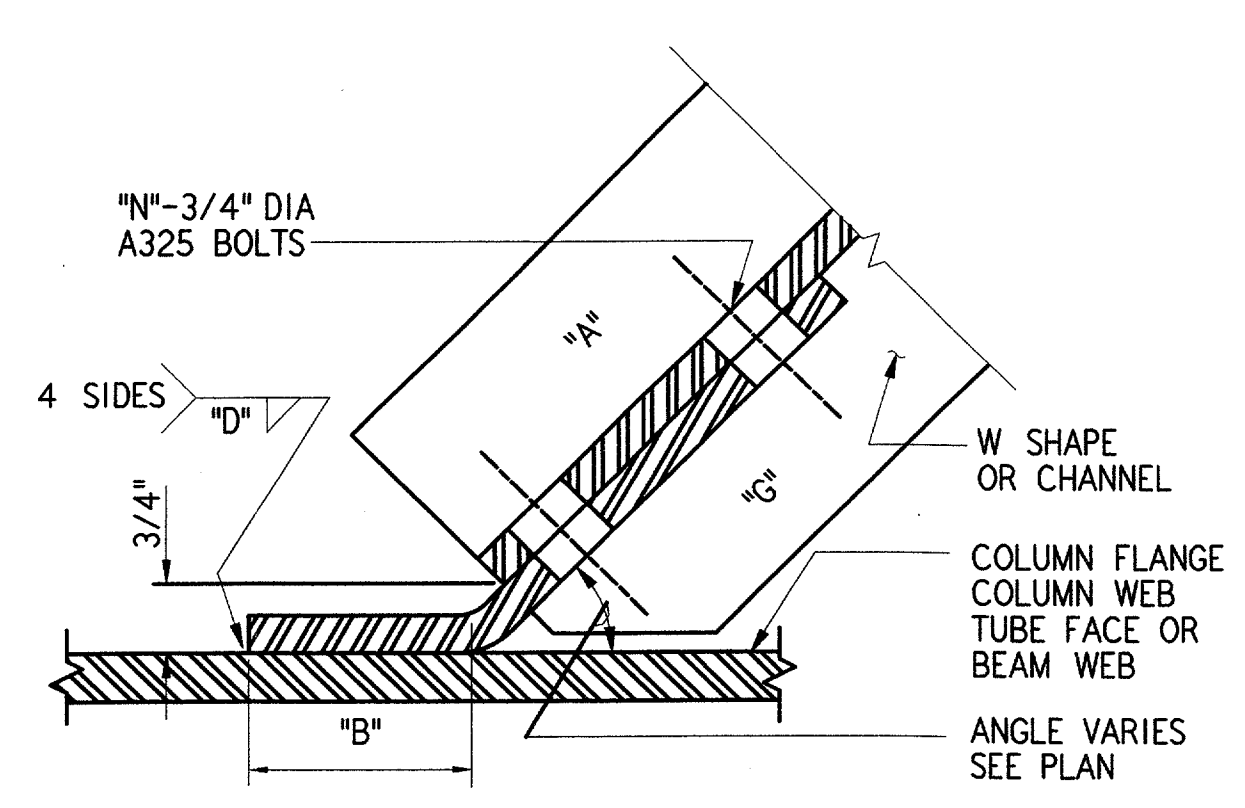
**DETAIL 1**  
1 1/2" = 1'-0"  
REF S13 S05 S14



**DETAIL 2**  
1 1/2" = 1'-0"  
REF S13 S05

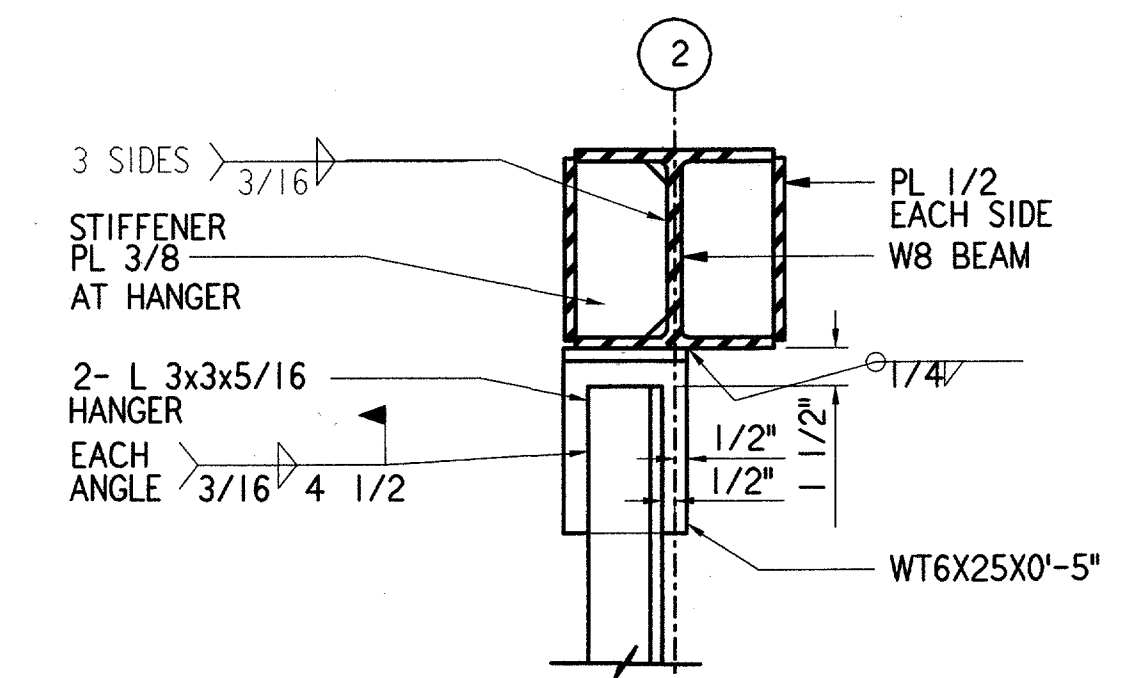


**SECTION 3**  
3/4" = 1'-0"  
NOTE: FOR ADD'L INFO SEE ARCH. DWGS.  
REF S13

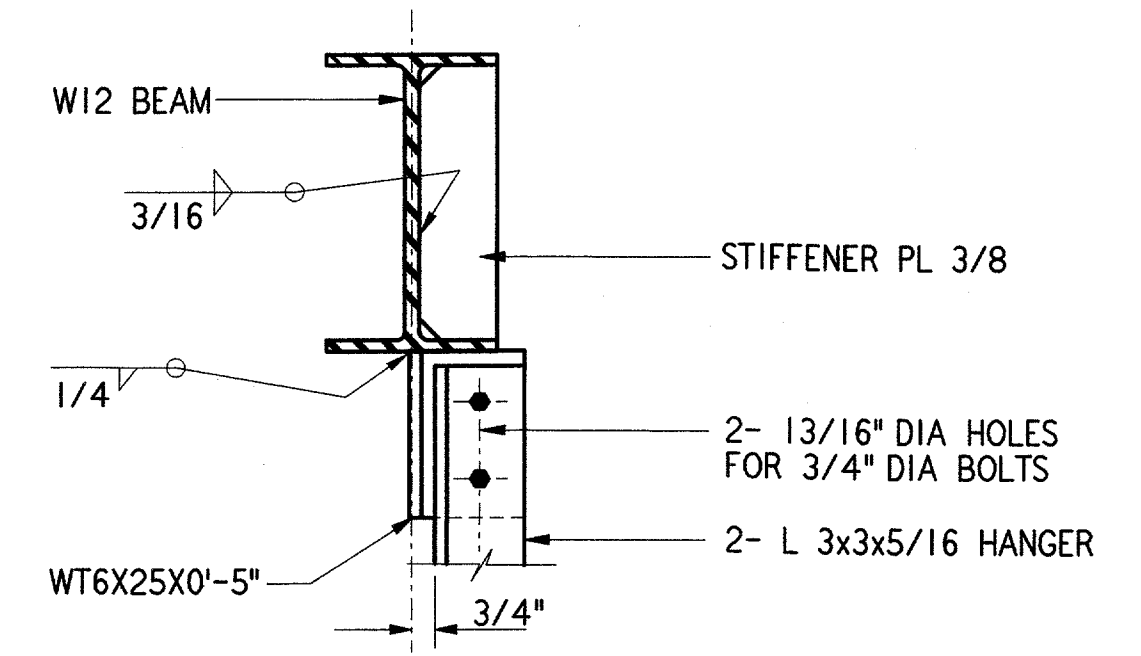


BEAM SIZE	"A"	"B"	PLATE SIZE T x W	"D" WELD	"N" BOLTS	NO. OF ROWS	"G" GAGE
W10x39	10 1/2"	2 1/2"	1/2"x8 1/2"	1/4"	6	2	5 1/2"
W10x12, 19	10 1/2"	2 1/2"	1/2"x8 1/2"	1/4"	4	2	5 1/2"
C10x30	10 1/2"	2 1/2"	1/2"x8 1/2"	1/4"	4	2	5 1/2"
C12x30	10 1/2"	2 1/2"	1/2"x8 1/2"	1/4"	4	2	5 1/2"

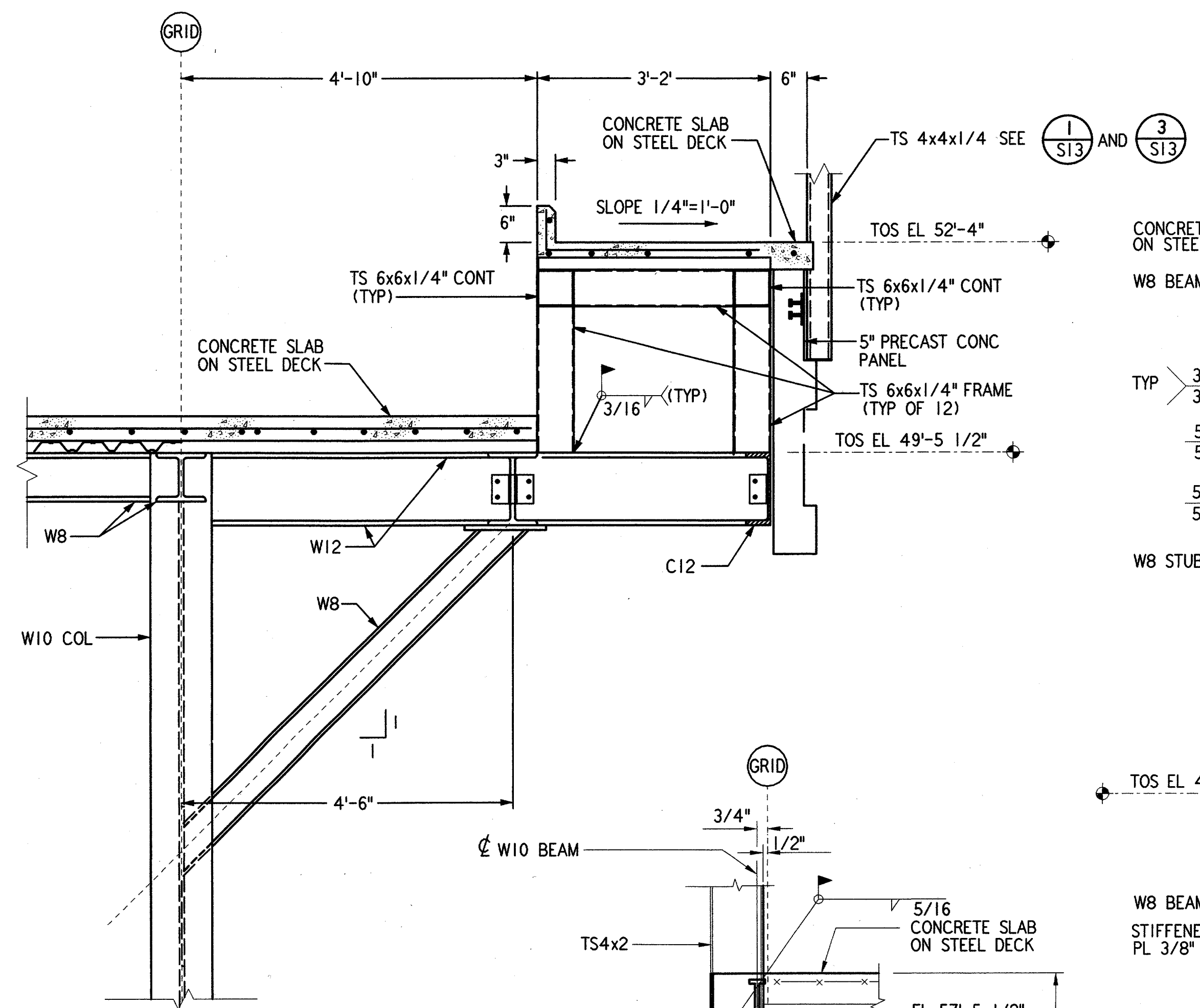
**SKREW CONNECTION DETAIL 4**  
NOT TO SCALE  
REF S13 S05 S12



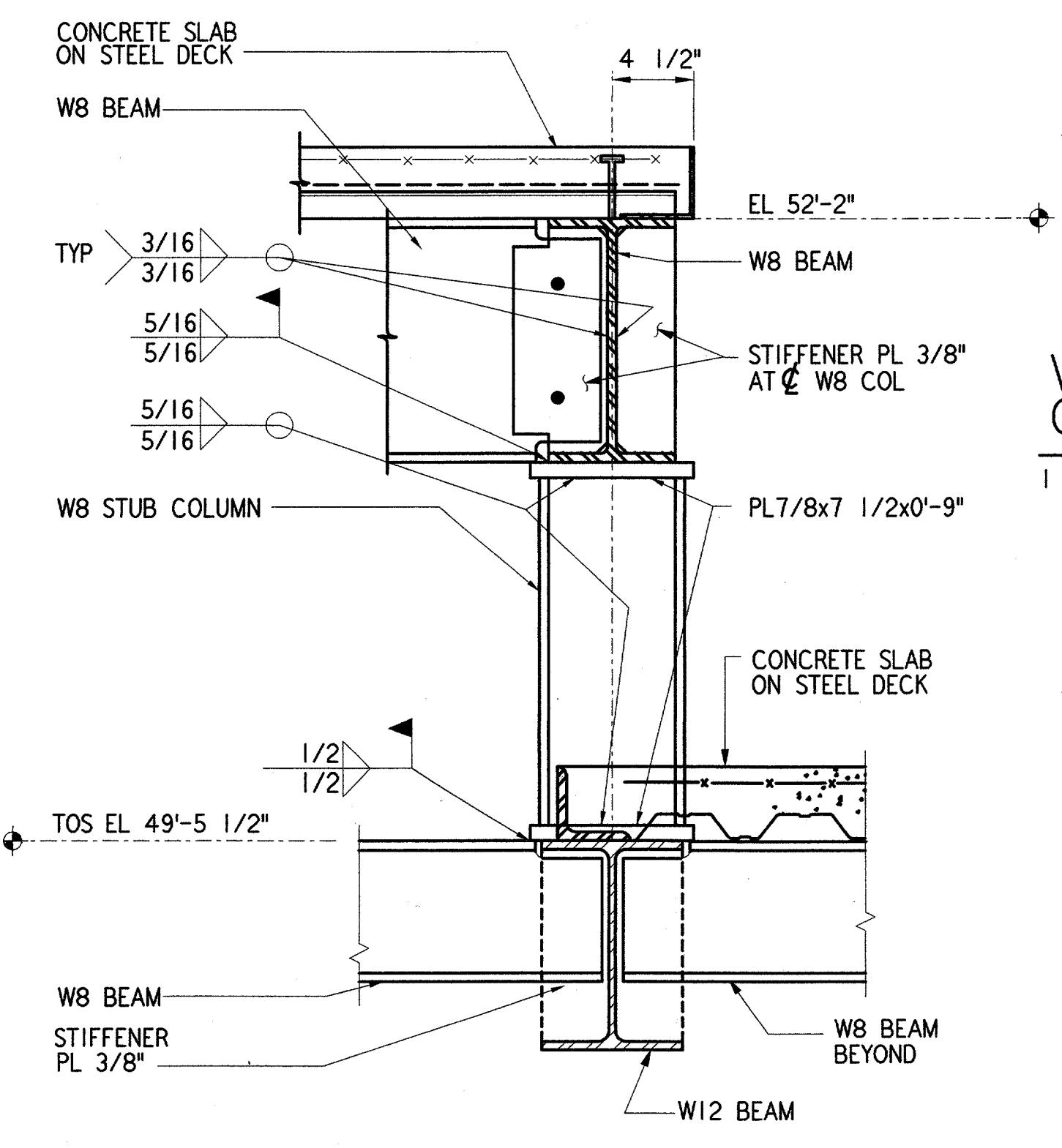
**VERT ANGLE COLUMN CONNECTION AT BEAM 8**  
1 1/2" = 1'-0"  
REF S04 S05 S09



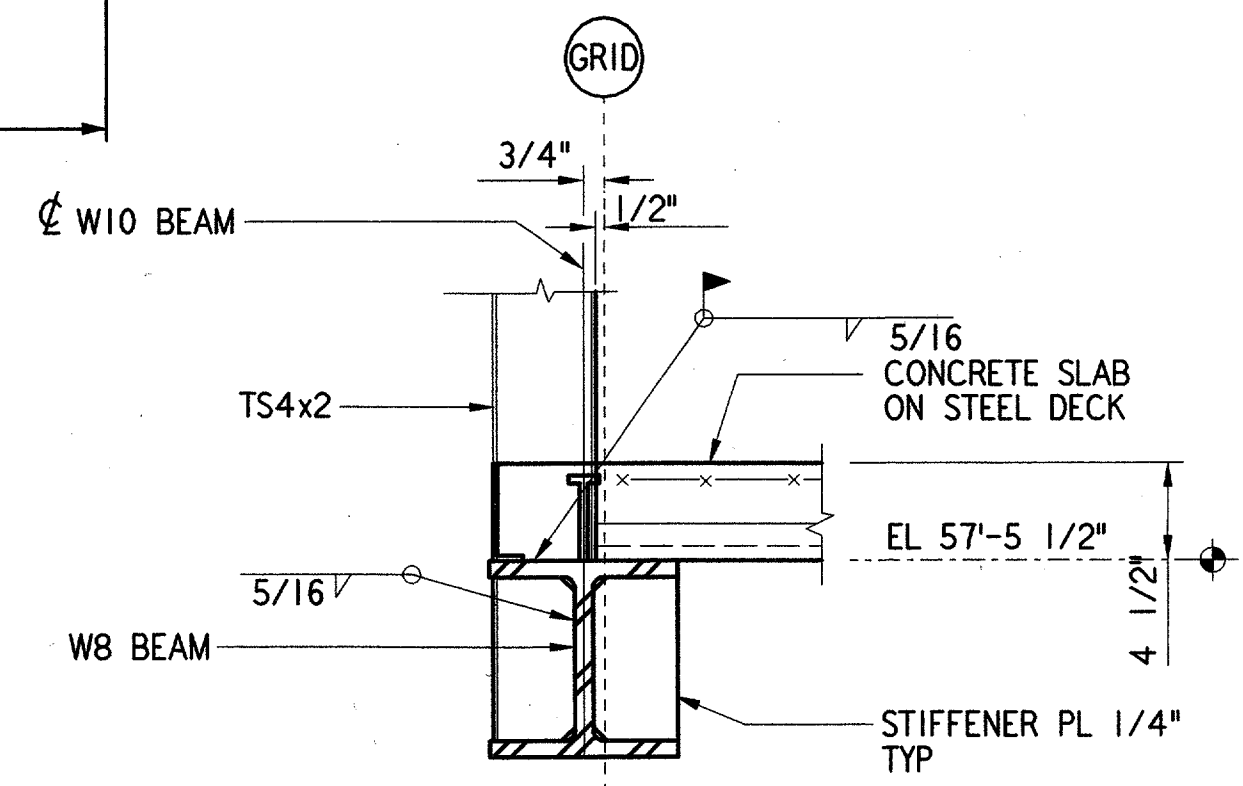
**VERT ANGLE COLUMN CONNECTION AT BEAM 9**  
1 1/2" = 1'-0"  
REF S04 S05



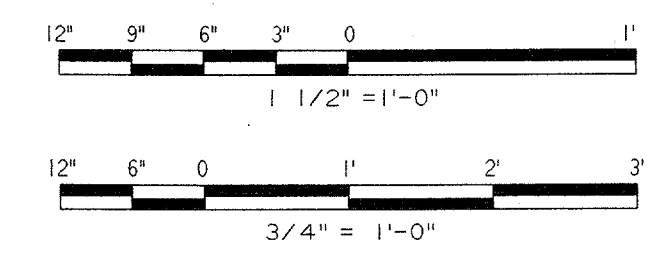
**SECTION 5**  
3/4" = 1'-0"  
REF S13 S05



**STUB WALL AT ELEVATOR 6**  
NOT TO SCALE  
REF S13 S05



**SECTION 7**  
1 1/2" = 1'-0"  
REF S13 S05



REV. DATE DESCRIPTION DFTG. CHECKED

DESIGNED: A. RAB  
REVIEWED: N. PAREKH  
ORIG. DFT.: S. RAJPREEJA  
FACILITY:

ISSUED BY: AIRWAY FACILITIES DIVISION  
DATE: 06-22-01  
DRAWING NUMBER: ADS-ATCT- S13

PARSONS  
DALLAS, TX

DEPARTMENT OF TRANSPORTATION  
FEDERAL AVIATION ADMINISTRATION  
SOUTHWEST REGION FORT WORTH, TEXAS

LOW ACTIVITY LEVEL  
AIRPORT TRAFFIC CONTROL TOWER

SECTIONS AND DETAILS  
ATCT

ADDISON (ADDISON AIRPORT) TEXAS

SUBMITTER: *Ray*  
SYSTEMS ENGINEER, ANI-640

APPROVED: *Chitkala*  
MANAGER TERMINAL PLATFORM, ANI-640

FILENAME:

S13

FILENAME: