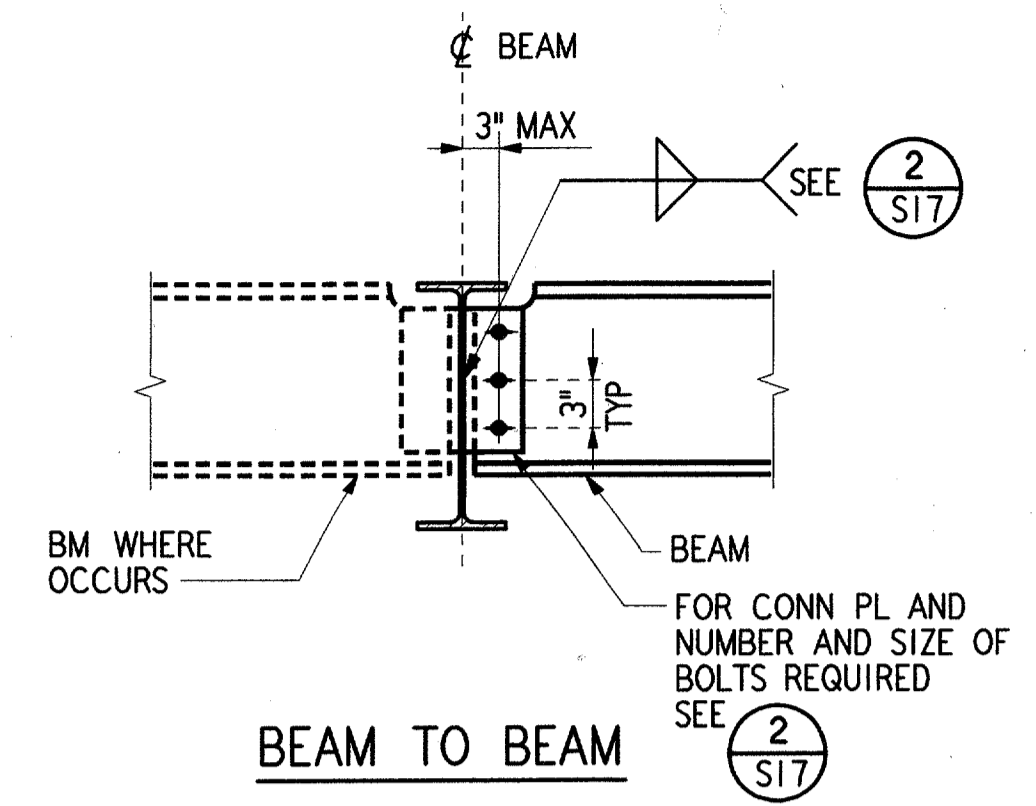
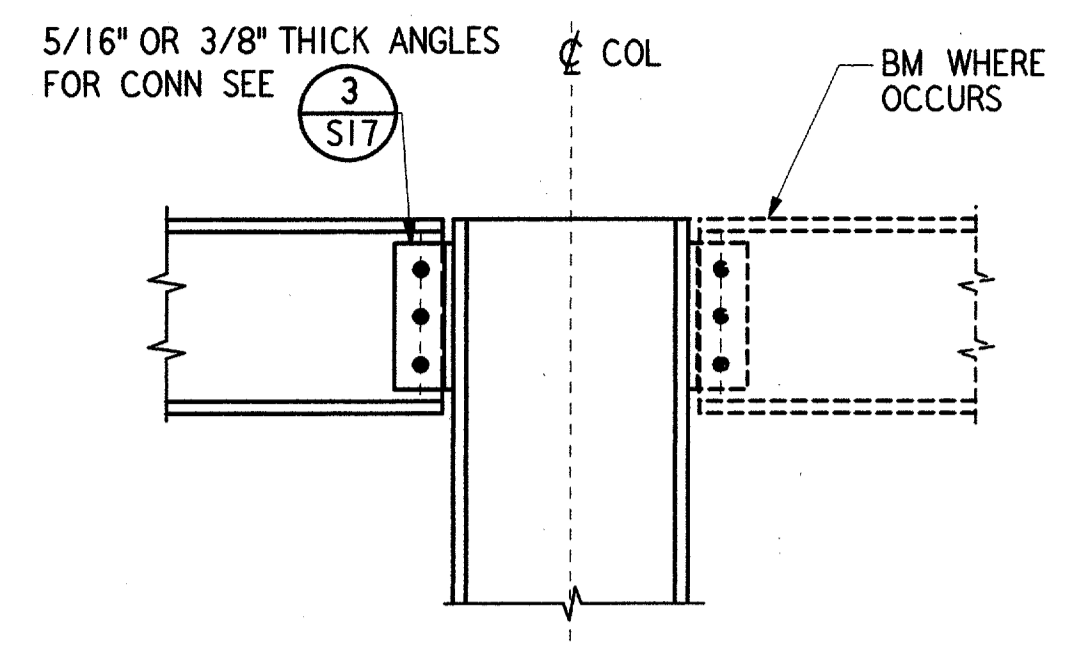
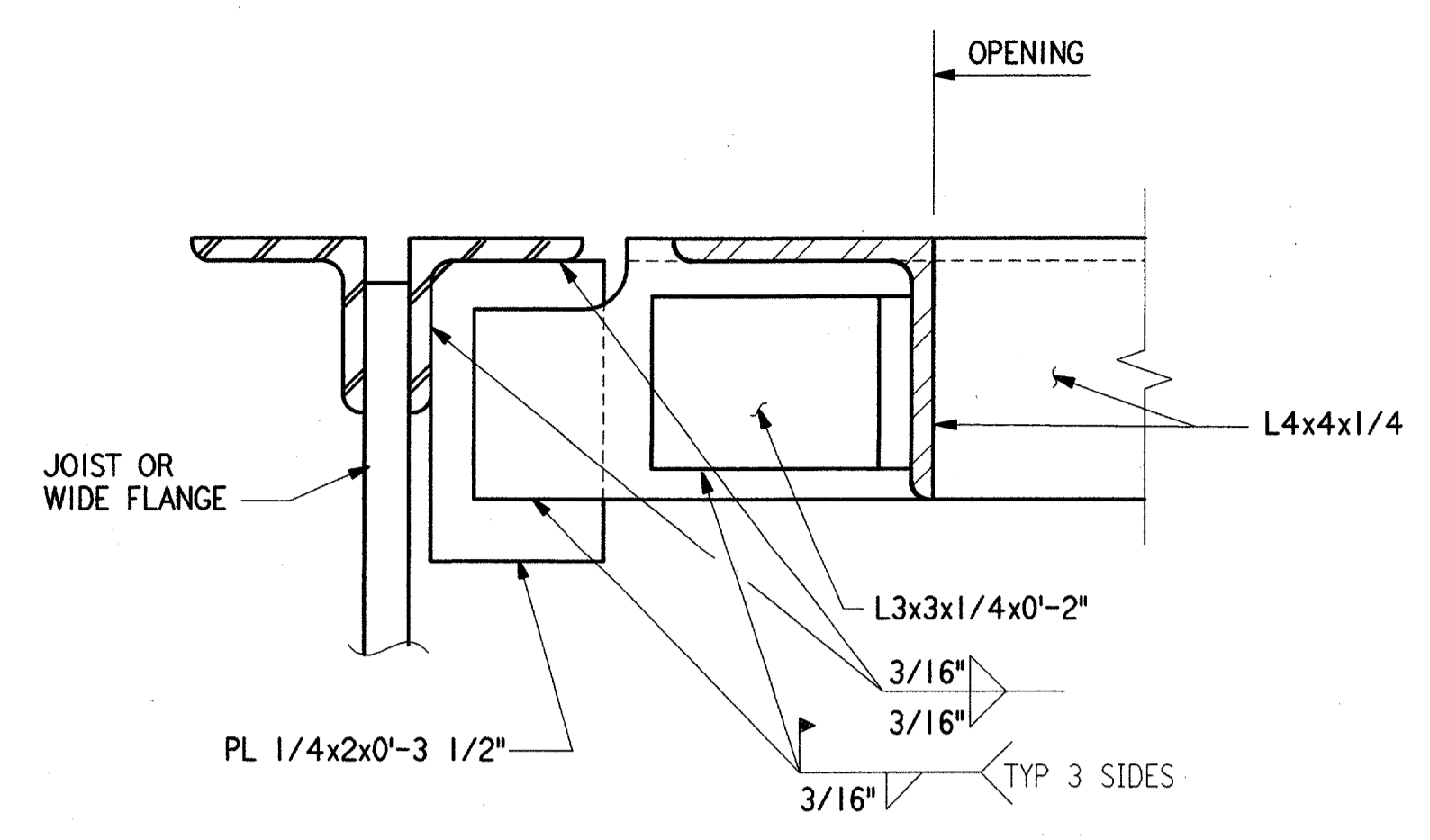


NOTE:
1. FOR GENERAL NOTES SEE DRAWING S01.

TYPICAL CONNECTION SCHEDULE "A"				
BEAM SIZE	CONN PL		NO. A325 SC BOLTS	REMARKS
	THICKNESS	WELD		
W10, W8, C8, C10	3/8"	1/4"	2-7/8" DIA	
W12, W14	3/8"	1/4"	3-7/8" DIA	
W16	3/8"	1/4"	4-7/8" DIA	
W18, W21	1/2"	5/16"	5-7/8" DIA	



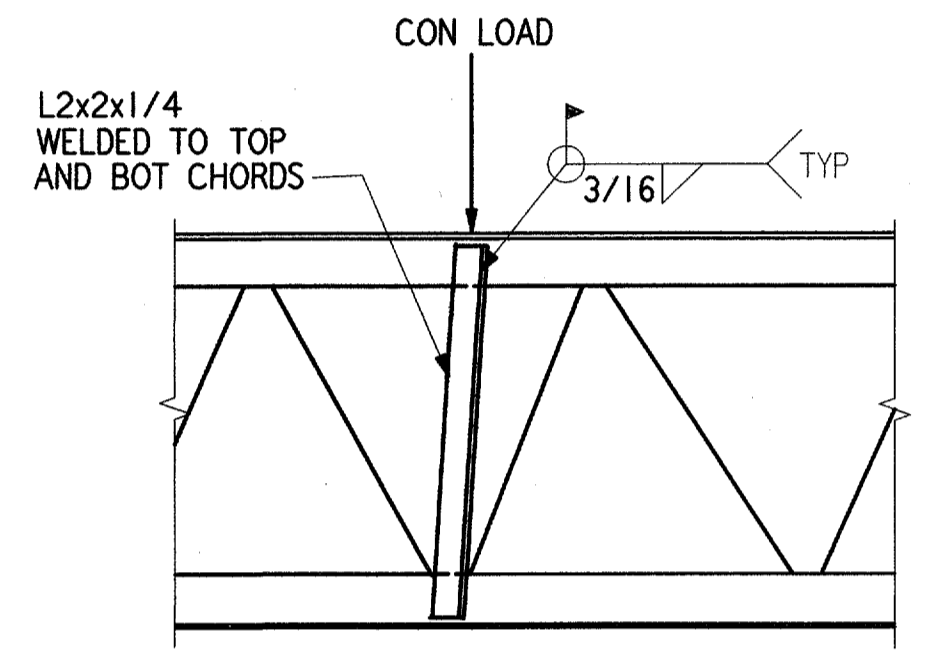
TYPICAL FRAMING AROUND OPENINGS

DETAIL 1
NTS S17

BEAM TO BEAM
SEE 2 S17

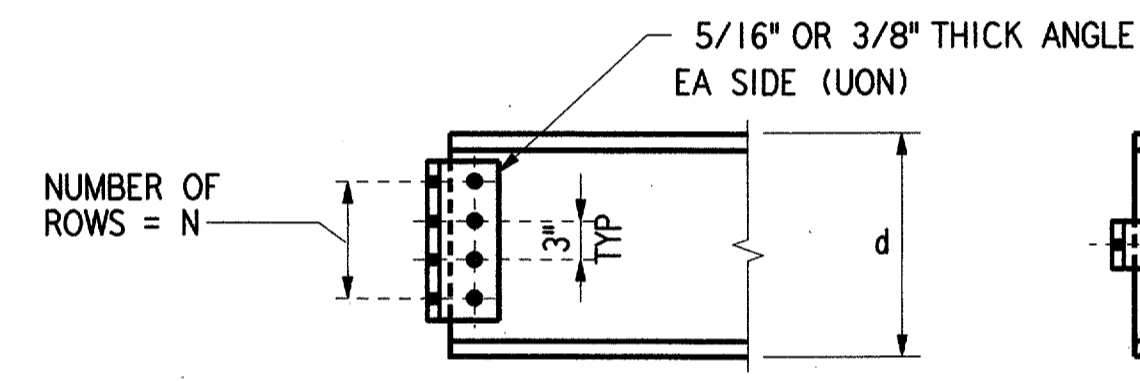
SHEAR PLATE CONNECTION

SECTION A
NTS S17

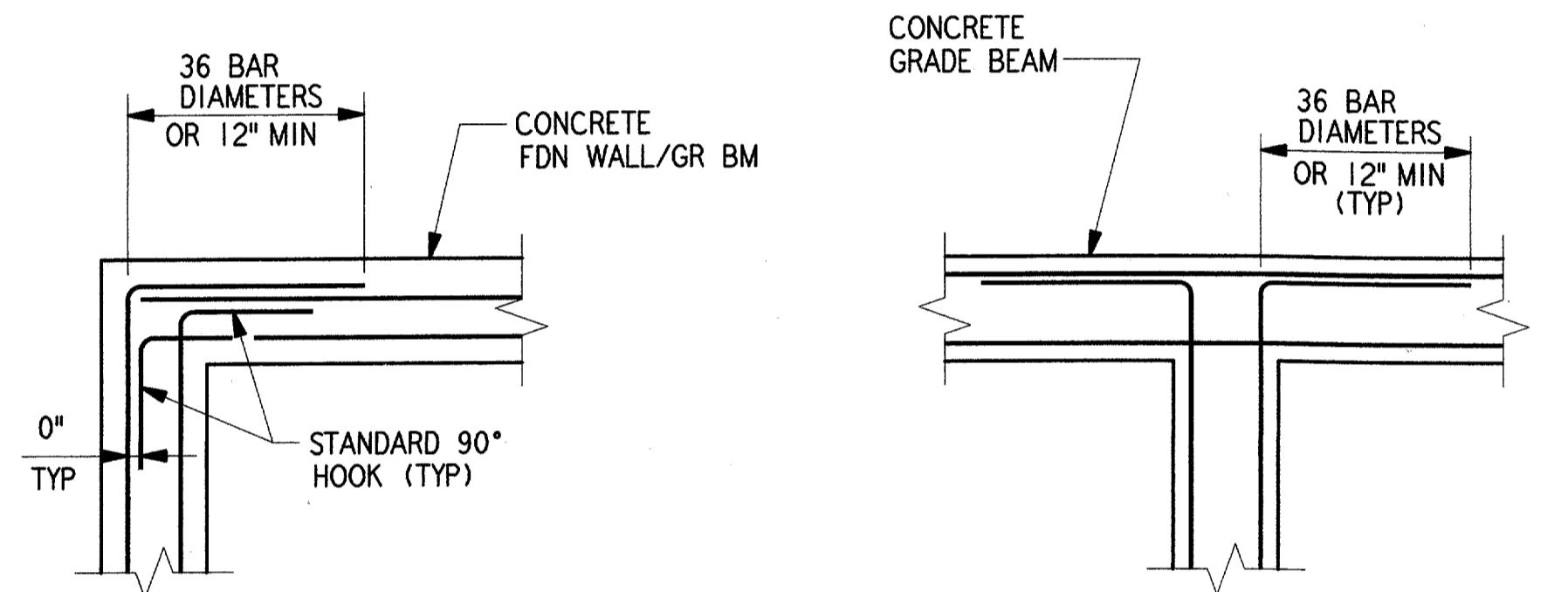
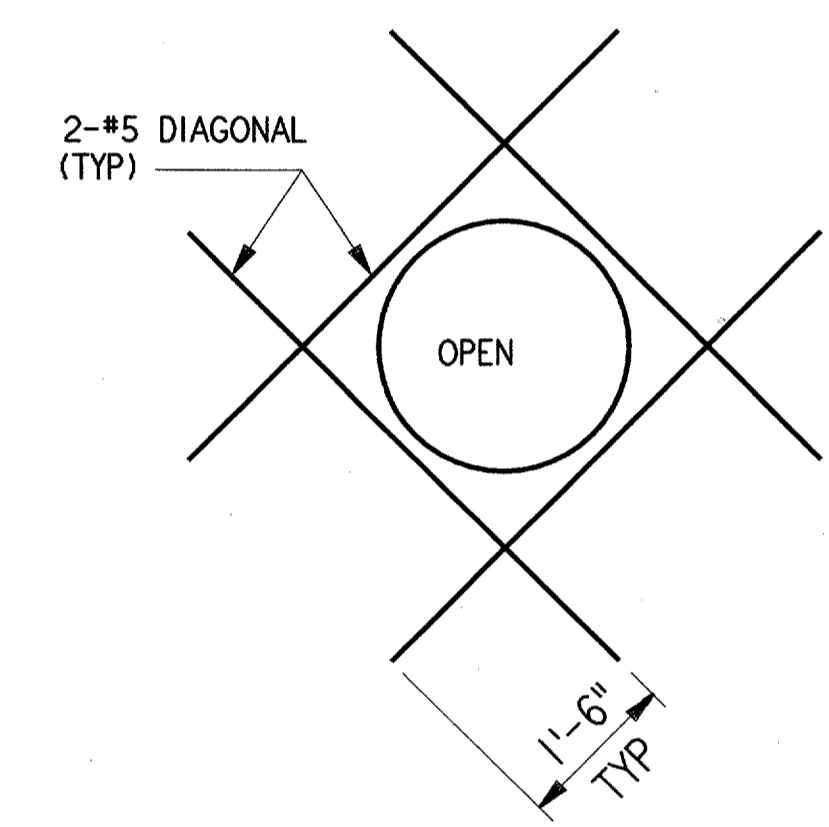


SECTION B
NTS S17

DETAIL 2
NTS S17



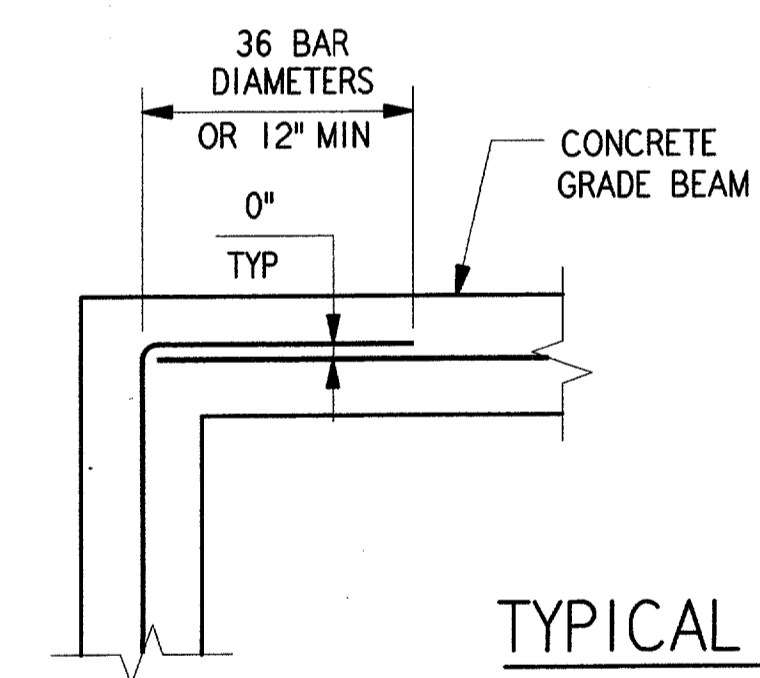
CONCENTRATED LOAD ON JOIST PANEL



SCHEDULE "B"			
d (in)	N	A325 SC BOLT SIZE	REMARKS
8, 10	2	3/4" DIA	5/16" ANGLES
12, 14	3	3/4" DIA	5/16" ANGLES
16	4	7/8" DIA	3/8" ANGLES
18, 21	5	7/8" DIA	3/8" ANGLES
24	6	7/8" DIA	3/8" ANGLES

SECTION C
NTS S17

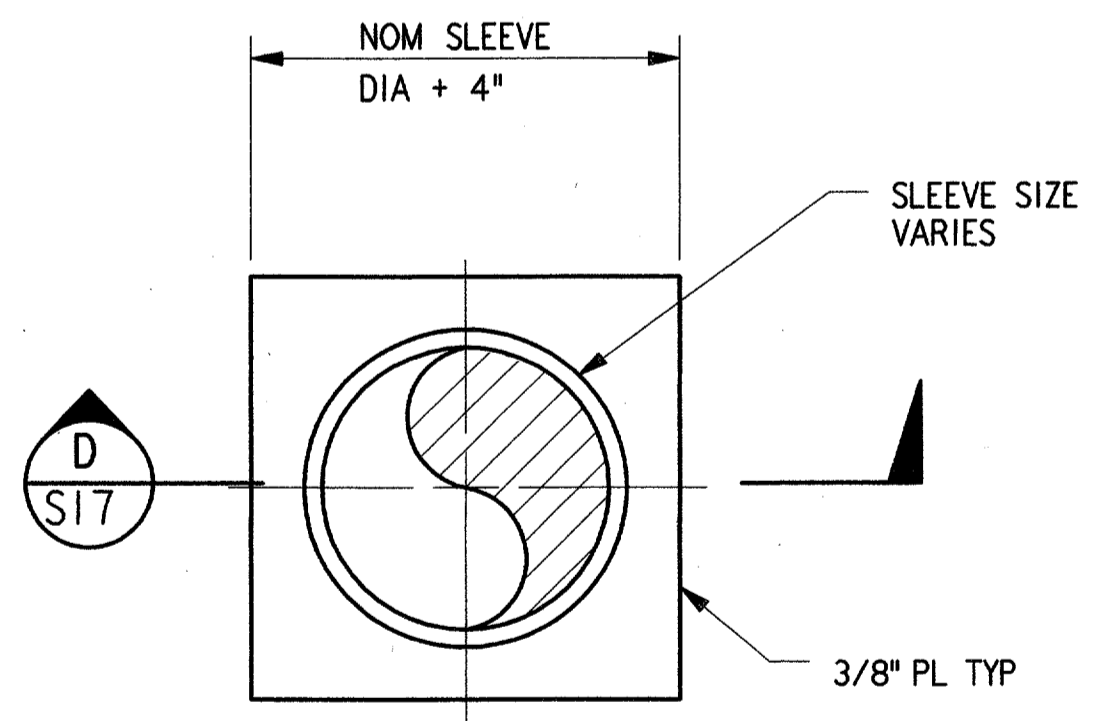
TYPICAL ADDITIONAL REINFORCEMENT AT OPENINGS



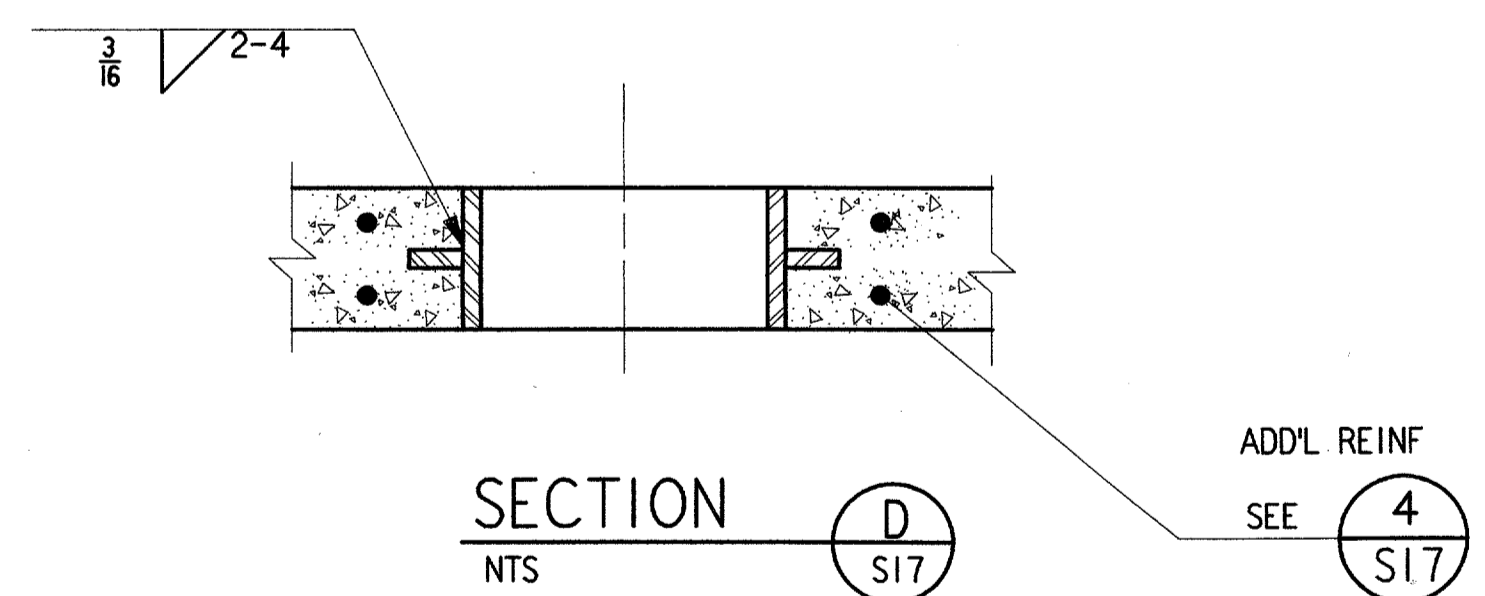
TYPICAL HORIZONTAL REINFORCEMENT

DOUBLE ANGLE SHEAR CONNECTION

DETAIL 3
NTS S17



TYPICAL PIPE SLEEVE DETAIL



SECTION D
NTS S17

ADD'L REINF SEE 4 S17

DETAIL 6
NTS S17 REF S03

DETAIL 5
NTS S17

DALLAS, TX		DATE: 06-22-01 DRAWING NUMBER: ADS-ATCT- S17	

DEPARTMENT OF TRANSPORTATION FEDERAL AVIATION ADMINISTRATION SOUTHWEST REGION FORT WORTH, TEXAS			
LOW ACTIVITY LEVEL AIRPORT TRAFFIC CONTROL TOWER			
TYPICAL SECTIONS AND DETAILS			
ADDISON (ADDISON AIRPORT) TEXAS		MANAGER TERMINAL PLATFORM, ANI-640	
DESIGNED: N. PAREKH REVIEWED: A. RAB ORIG. DFT.: N. PAREKH FACILITY:	ISSUED BY: AIRWAY FACILITIES DIVISION	DATE: 06-22-01 DRAWING NUMBER: ADS-ATCT- S17	REF. DWG.:

S17

FILENAME: