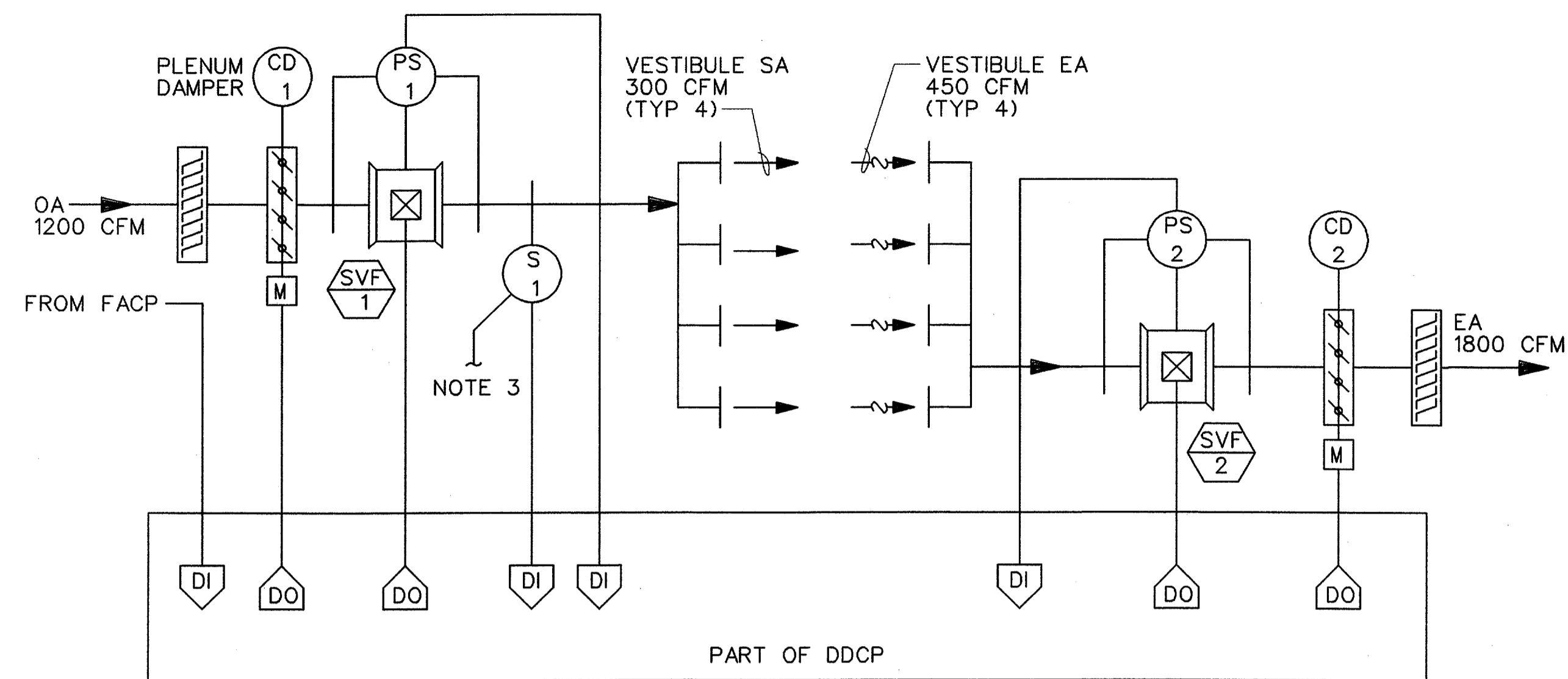
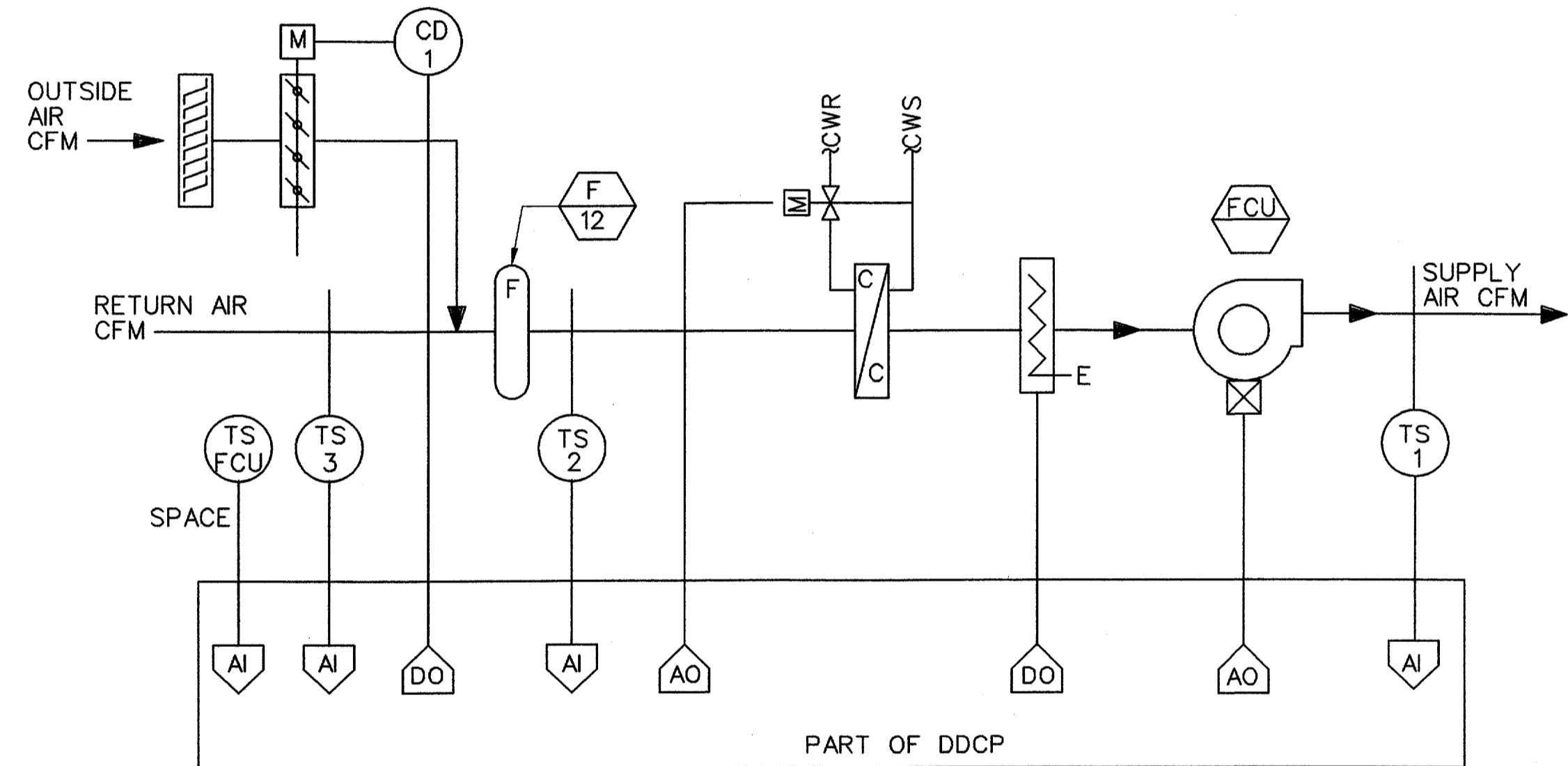


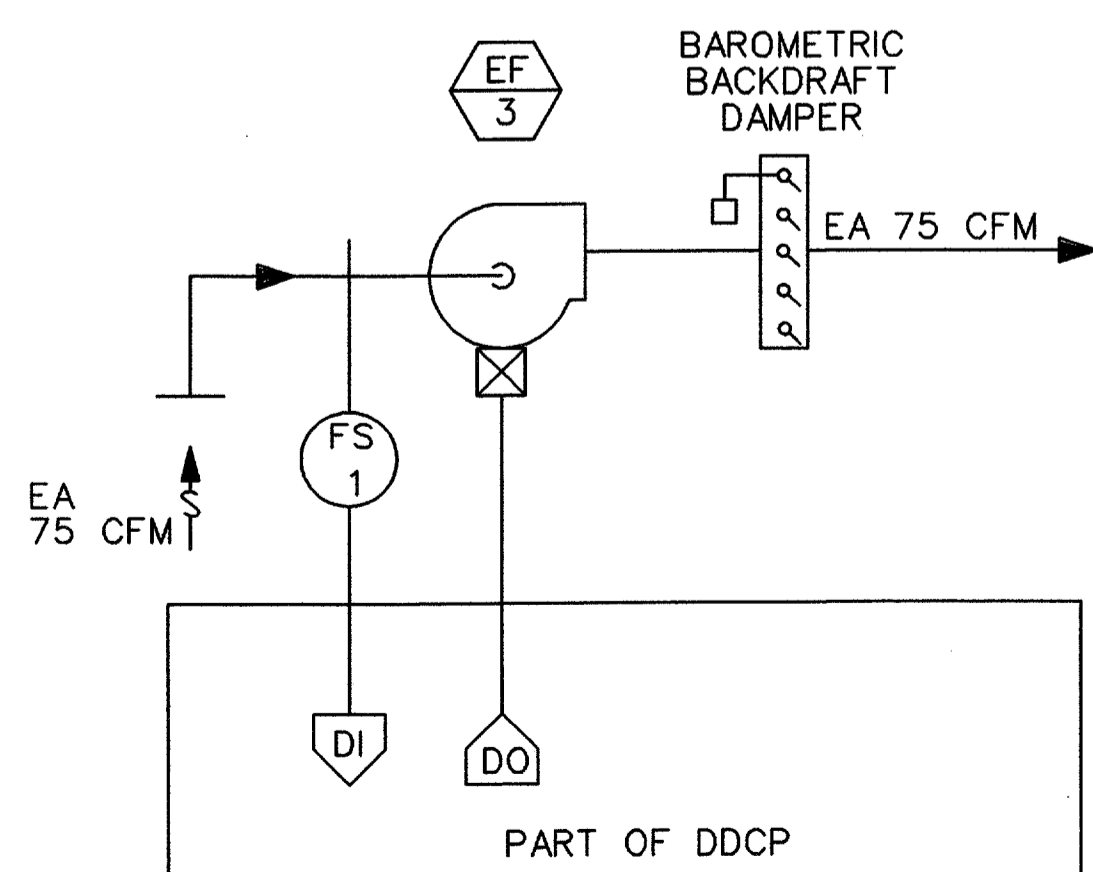
- NOTES:**
1. FOR GENERAL NOTES, SEE DRAWING M001-A.
  2. FOR SEQUENCE OF OPERATION, SEE SPECIFICATION SECTION 15975.
  3. PROVIDE CONNECTION TO THE FIRE ALARM CONTROL PANEL.



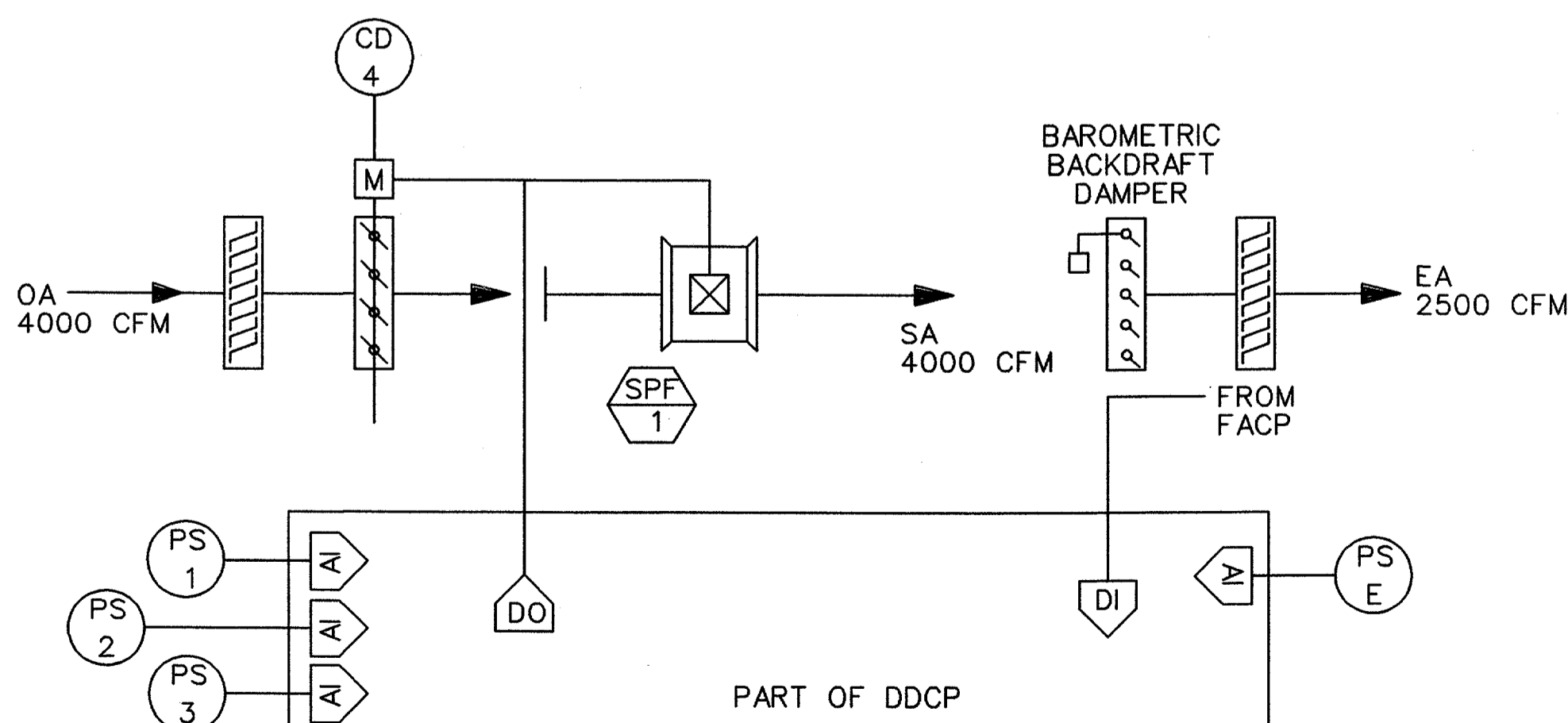
**EXHAUST CONTROL AND AIR FLOW DIAGRAM**  
VESTIBULE VENTILATION FAN SVF-1 AND SVF-2 (ATCT)



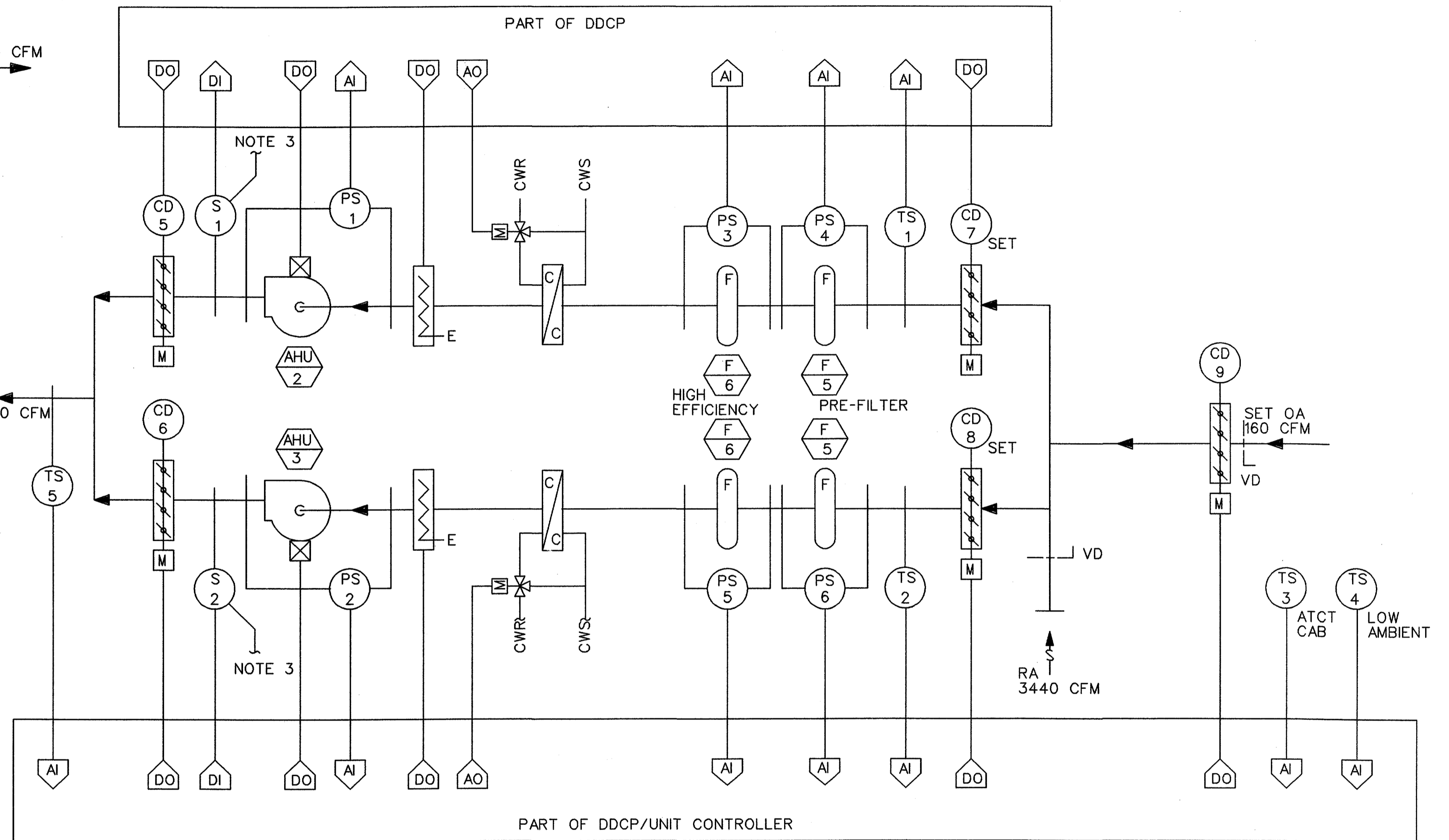
**TEMPERATURE CONTROL AND AIR FLOW DIAGRAM**  
FAN COIL UNIT FCU-1,2,3 (TOWER SHAFT)



**EXHAUST CONTROL AND AIR FLOW DIAGRAM**  
EXHAUST FAN EF-3 (ATCT JUNCTION LEVEL RESTROOM)



**PRESSURE CONTROL AND AIR FLOW DIAGRAM**  
STAIR PRESSURIZATION FAN SPF-1 (ATCT)



**TEMPERATURE CONTROL AND AIR FLOW DIAGRAM**  
AHU-2 AND AHU-3 (ATCT CAB ROOF)

REV	DATE	DESCRIPTION	JCN	REDLINE DATE	APVD
A	06-23-03	FAA REDESIGN OF HVAC, JON 21874.	9700164	06-23-03	
DEPARTMENT OF TRANSPORTATION <b>FEDERAL AVIATION ADMINISTRATION</b> FORT WORTH IMPLEMENTATION CENTER FORT WORTH, TX LOW ACTIVITY LEVEL ATCT HVAC CONTROL DIAGRAMS ATCT					
ADDISON		ADDISON AIRPORT		TX	
DESIGNED BY	R. MEDRANO	ISSUED BY	DATE	06-23-03	JCN
DRAWN	KS	NAS IMPLEMENTATION	DRAWING NO.	9700164	REV
CHECKED		ANI-600	ADS-D-ATCT-M003		A